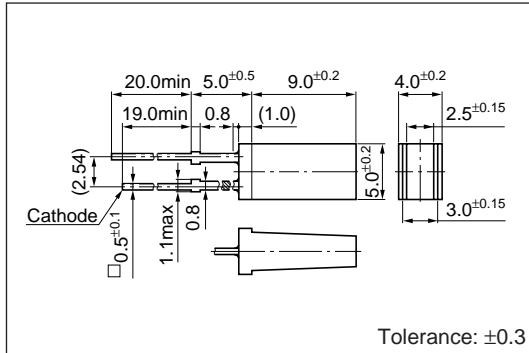


# 2.5×5 Rectangular LED

## SEL1022 Series

### External Dimensions (Unit: mm)



### Absolute maximum ratings (Ta=25°C)

Symbol	Unit	Rating	Condition
$I_F$	mA	30	
$\Delta I_F$	mA/°C	-0.45	Above 25°C
$I_{FP}$	mA	100	f=1kHz, tw≤100μs
$V_R$	V	3	
Top	°C	-30 to +85	
Tstg	°C	-30 to +100	

### Electrical Optical characteristics (Ta=25°C)

Emitting color	Part Number	Lens color	Forward voltage		Reverse current		Intensity		Peak wavelength		Spectrum half width		Chip material	
			$V_F$ (V)		$I_R$ (μA)	Condition	$I_v$ (mcd)	Condition	$\lambda_P$ (nm)	Condition	$\Delta\lambda$ (nm)	Condition		
			typ	max	$I_F$ (mA)	$V_R$ (V)	typ	$I_F$ (mA)	typ	$I_F$ (mA)	typ	$I_F$ (mA)		
Red	SEL1222R	Diffused red	1.9	2.5	10	50	3	9.0	20	630	10	35	10	GaAsP
Amber	SEL1822D	Diffused orange	1.9	2.5	10	50	3	4.8	10	610	10	35	10	
Orange	SEL1922D	Diffused orange	1.9	2.5	10	50	3	4.5	10	587	10	33	10	
Yellow	SEL1722Y	Diffused yellow	2.0	2.5	10	50	3	7.8	10	570	10	30	10	GaP
	SEL1722K	Transparent yellow						12						
Green	SEL1422G	Diffused green	2.0	2.5	10	50	3	7.2	20	560	10	20	10	