

www.DataSheet4U.com

***THIS DOCUMENT IS FOR MAINTENANCE
PURPOSES ONLY AND IS NOT
RECOMMENDED FOR NEW DESIGNS***



www.DataSheet4U.com

SP8660

150MHz ÷ 10

The SP8660 is a low power ECL counter with an open collector output capable of driving TTL or CMOS. It has internally biased inputs.

FEATURES

- AC Coupled Inputs
- Low Power Consumption
- CMOS/TTL Compatible Open Collector Output

QUICK REFERENCE DATA

- Supply Voltage: 5.0V
- Power Consumption: 50mW
- Temperature Range: -30°C to +70°C
- 8-Lead Plastic Package

ABSOLUTE MAXIMUM RATINGS

Supply voltage	8V
Open collector output voltage	12V
Storage temperature range	-55°C to +150°C
Max. junction temperature	+150°C
Max. clock input voltage	2.5V p-p
Output sink current	10mA

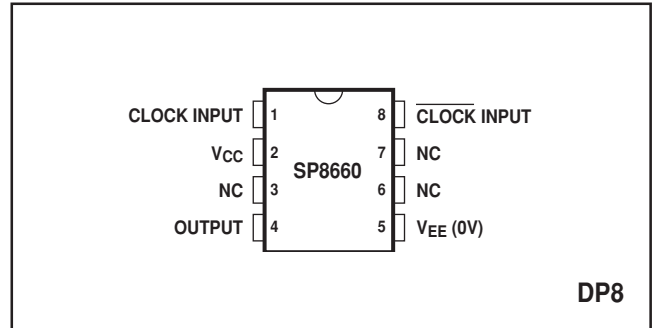


Fig. 1 Pin connections - top view

ORDERING INFORMATION

SP8660 DP

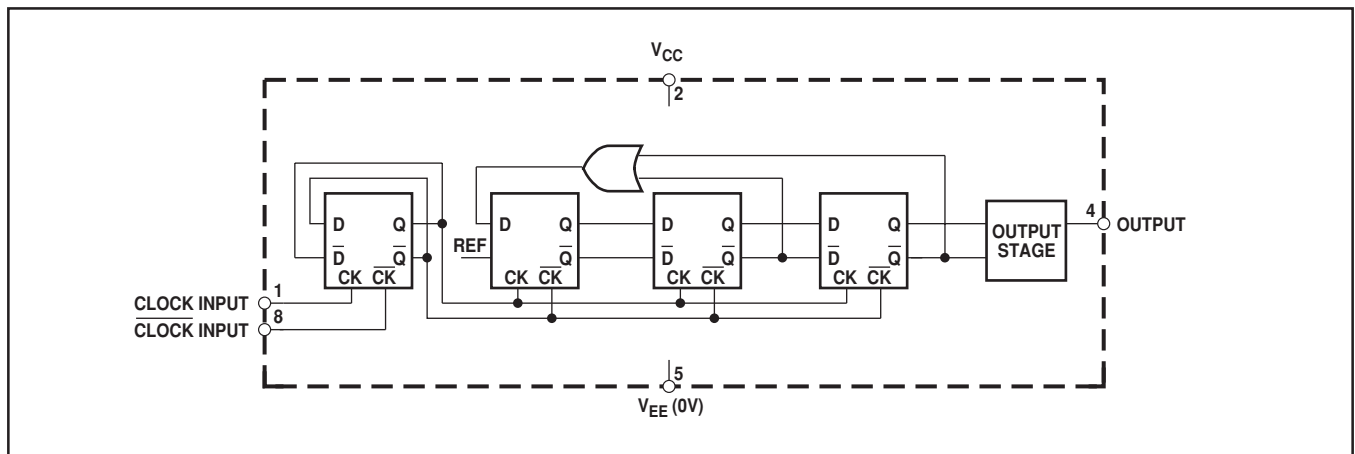


Fig. 2 Functional diagram

ELECTRICAL CHARACTERISTICS

Unless otherwise stated, the Electrical Characteristics are guaranteed over specified supply, frequency and temperature range

Supply voltage, $V_{CC} = 5.0V \pm 0.25V$, $V_{EE} = 0V$

Temperature, $T_{AMB} = -30^{\circ}C$ to $+70^{\circ}C$

Characteristic	Symbol	Value		Units	Conditions
		Min.	Max.		
Maximum frequency (sinewave input)	f_{MAX}	150		MHz	Input = 200-1000mV p-p
Minimum frequency (sinewave input)	f_{MIN}		40	MHz	Input = 400-1000mV p-p
Power supply current	I_{CC}		13	mA	$V_{CC} = 5.25V$
Output high voltage	V_{OH}	9		V	$V_{CC} = 5V$, pin 4 = $1.5k\Omega$ to 10V, see note 3
Output low voltage	V_{OL}		400	mV	$V_{CC} = 5V$, pin 4 = $1.5k\Omega$ to 10V, see note 3

NOTES

1. The test configuration for dynamic testing is shown in Fig.5.
2. All characteristics above are tested at $25^{\circ}C$ only.
3. $C_{LOAD} \approx 5pF$.

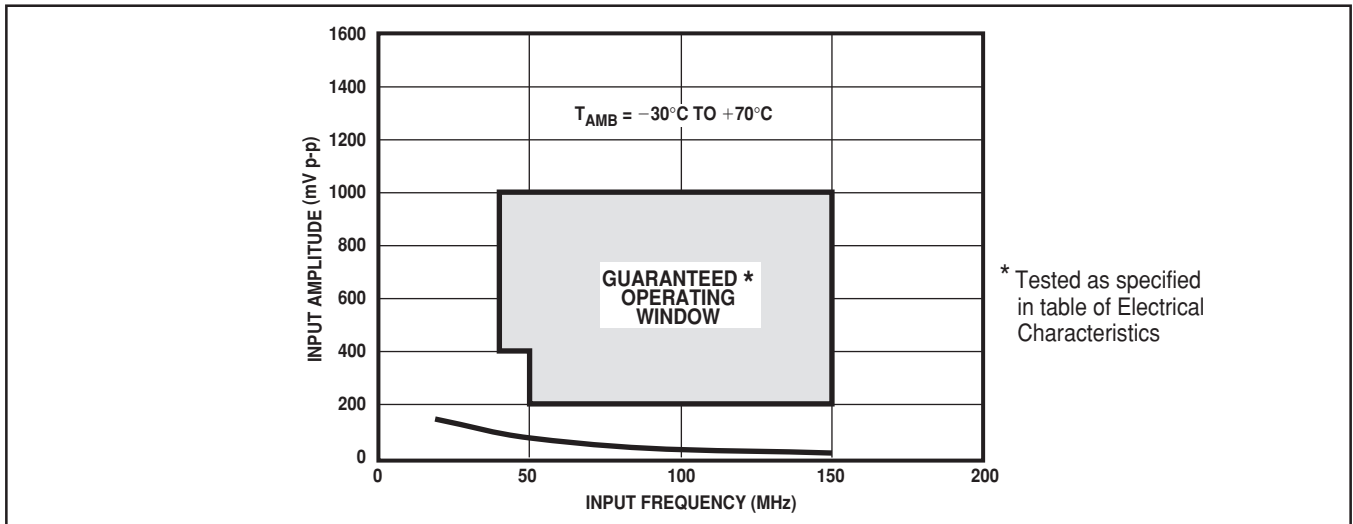


Fig. 3 Typical input characteristic

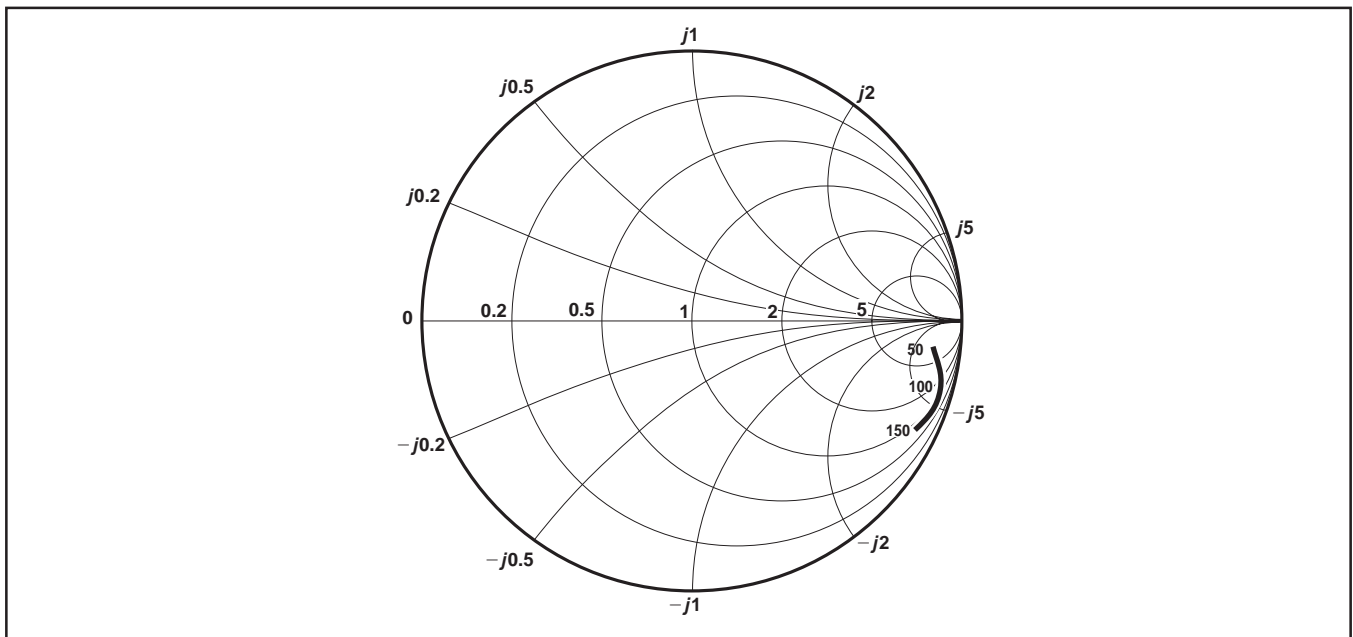


Fig. 4 Typical input impedance. Test conditions: supply voltage = $5.0V$, ambient temperature = $25^{\circ}C$, frequencies in MHz, Impedances normalised to 50Ω

OPERATING NOTES

1. The clock inputs (pins 1 and 8) should be capacitively coupled to the signal source. When driven single ended, the input signal path is completed by a capacitor from the unused input to ground.
2. In the absence of a signal the devices will self-oscillate. This can be prevented by connecting a 39kΩ resistor from either input to ground. If the device is driven single ended, it is recommended that the pull-down resistor be connected to the decoupled unused input. There will be a loss in sensitivity of approximately 200mV.
3. The device will operate down to DC but input slew rate must be better than 100V/μs.
4. The open collector output will drive three TTL loads, and therefore requires a a suitable resistor to V_{CC} to maintain noise immunity. In order to maintain noise immunity on transitions, this

resistor should not exceed 4-7kΩ. For interfacing to CMOS, the open collector may be restored to a +10V line via a 3.3kΩ resistor. The output sink current must not exceed 10mA and the use of too low a value of resistor may lead to a loss of noise immunity, especially at low temperatures.

5. Input impedance varies as a function of frequency; see Fig. 4.
6. The rise time of the open collector output waveform is directly proportional to the load capacitance and load resistor value. Therefore, the load capacitance should be minimised and the load resistor kept to a minimum compatible with system power requirements.

In the test configuration of Fig. 5, the output rise time is approximately 20ns and the fall time is typically 10ns.

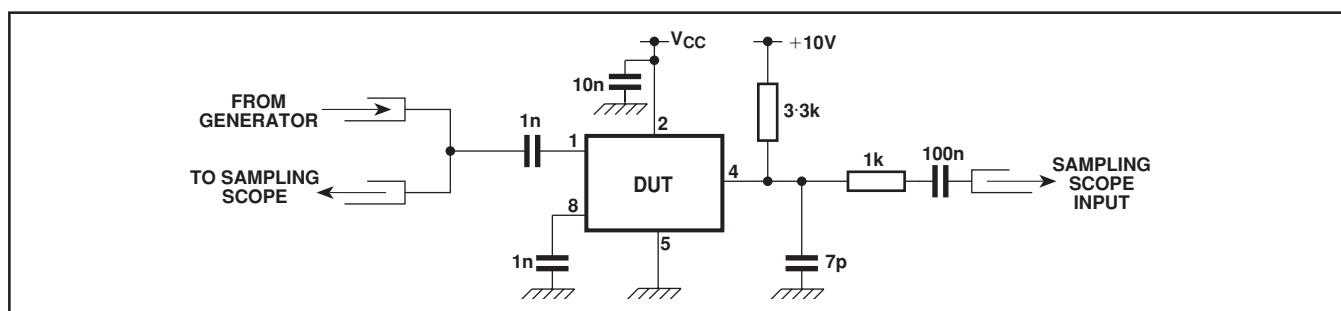


Fig. 5 Test circuit

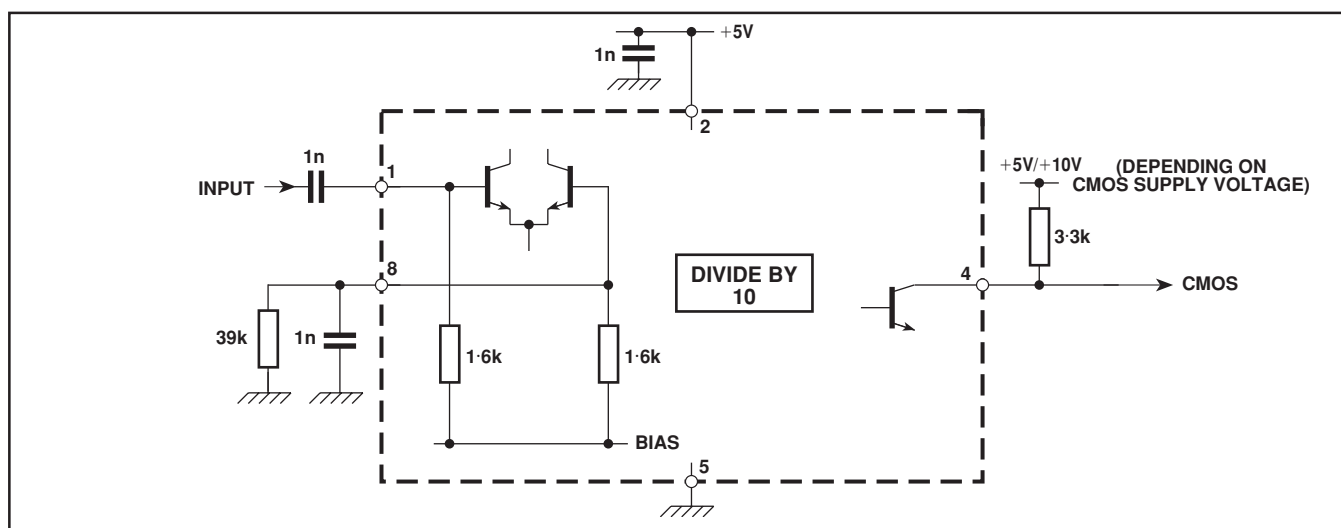


Fig. 6. Typical application circuit showing interfacing

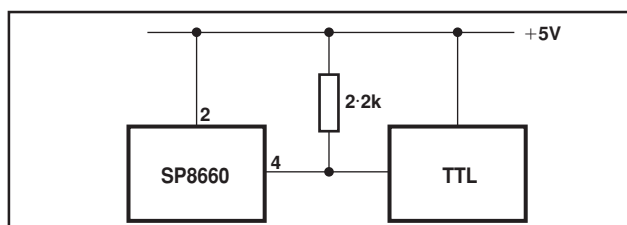
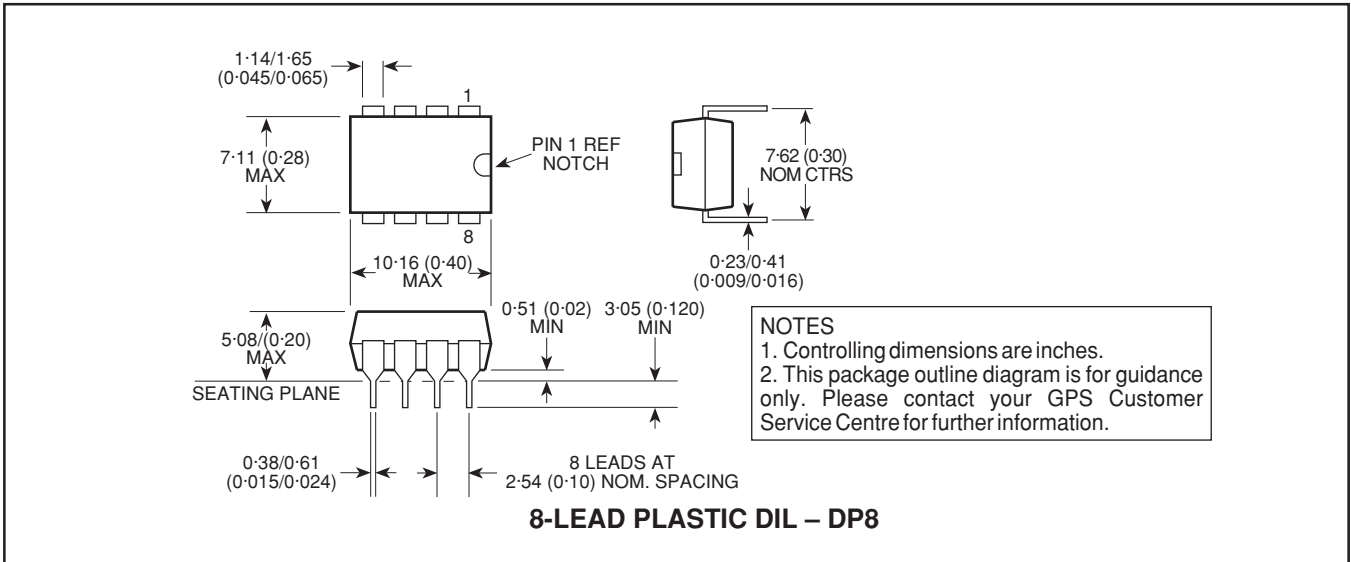


Fig. 7. Interfacing to TTL. Load not to exceed 3 TTL unit loads

PACKAGE DETAILS

Dimensions are shown thus: mm (in).



HEADQUARTERS OPERATIONS
GEC PLESSEY SEMICONDUCTORS
 Cheney Manor, Swindon,
 Wiltshire SN2 2QW, United Kingdom.
 Tel: (0793) 518000
 Fax: (0793) 518411

GEC PLESSEY SEMICONDUCTORS
 P.O. Box 660017
 1500 Green Hills Road,
 Scotts Valley, CA95067-0017
 United States of America.
 Tel (408) 438 2900
 Fax: (408) 438 5576

CUSTOMER SERVICE CENTRES

- **FRANCE & BENELUX** Les Ulis Cedex Tel: (1) 64 46 23 45 Fax : (1) 64 46 06 07
- **GERMANY** Munich Tel: (089) 3609 06-0 Fax : (089) 3609 06-55
- **ITALY** Milan Tel: (02) 66040867 Fax: (02) 66040993
- **JAPAN** Tokyo Tel: (3) 5276-5501 Fax: (3) 5276-5510
- **NORTH AMERICA** Scotts Valley, USA Tel: (408) 438 2900 Fax: (408) 438 7023.
- **SOUTH EAST ASIA** Singapore Tel: (65) 3827708 Fax: (65) 3828872
- **SWEDEN** Stockholm Tel: 46 8 702 97 70 Fax: 46 8 640 47 36
- **UK, EIRE, DENMARK, FINLAND & NORWAY**
 Swindon Tel: (0793) 518510 Fax : (0793) 518582

These are supported by Agents and Distributors in major countries world-wide.

© GEC Plessey Semiconductors 1994 Publication No. DS3668 Issue No. 1.1 March 1994

This publication is issued to provide information only which (unless agreed by the Company in writing) may not be used, applied or reproduced for any purpose nor form part of any order or contract nor to be regarded as a representation relating to the products or services concerned. No warranty or guarantee express or implied is made regarding the capability, performance or suitability of any product or service. The Company reserves the right to alter without prior knowledge the specification, design or price of any product or service. Information concerning possible methods of use is provided as a guide only and does not constitute any guarantee that such methods of use will be satisfactory in a specific piece of equipment. It is the user's responsibility to fully determine the performance and suitability of any equipment using such information and to ensure that any publication or data used is up to date and has not been superseded. These products are not suitable for use in any medical products whose failure to perform may result in significant injury or death to the user. All products and materials are sold and services provided subject to the Company's conditions of sale, which are available on request.