

LOW CURRENT 1.2 TO 37V ADJUSTABLE VOLTAGE REGULATOR

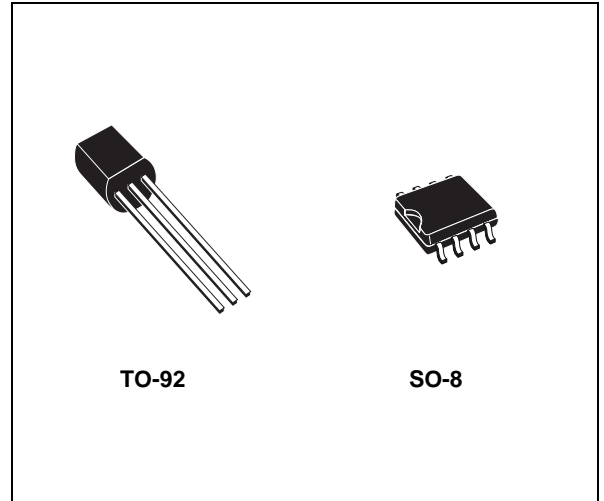
- OUTPUT VOLTAGE RANGE: 1.2 TO 37V
- OUTPUT CURRENT IN EXCESS OF 100 mA
- LINE REGULATION TYP. 0.01%
- LOAD REGULATION TYP. 0.1%
- THERMAL OVERLOAD PROTECTION
- SHORT CIRCUIT PROTECTION
- OUTPUT TRANSISTOR SAFE AREA COMPENSATION
- FLOATING OPERATION FOR HIGH VOLTAGE APPLICATIONS

DESCRIPTION

The LM217L/LM317L are monolithic integrated circuit in SO-8 and TO-92 packages intended for use as positive adjustable voltage regulators.

They are designed to supply until 100 mA of load current with an output voltage adjustable over a 1.2 to 37V range.

The nominal output voltage is selected by means of only a resistive divider, making the device



exceptionally easy to use and eliminating the stocking of many fixed regulators

Figure 1: Schematic Diagram

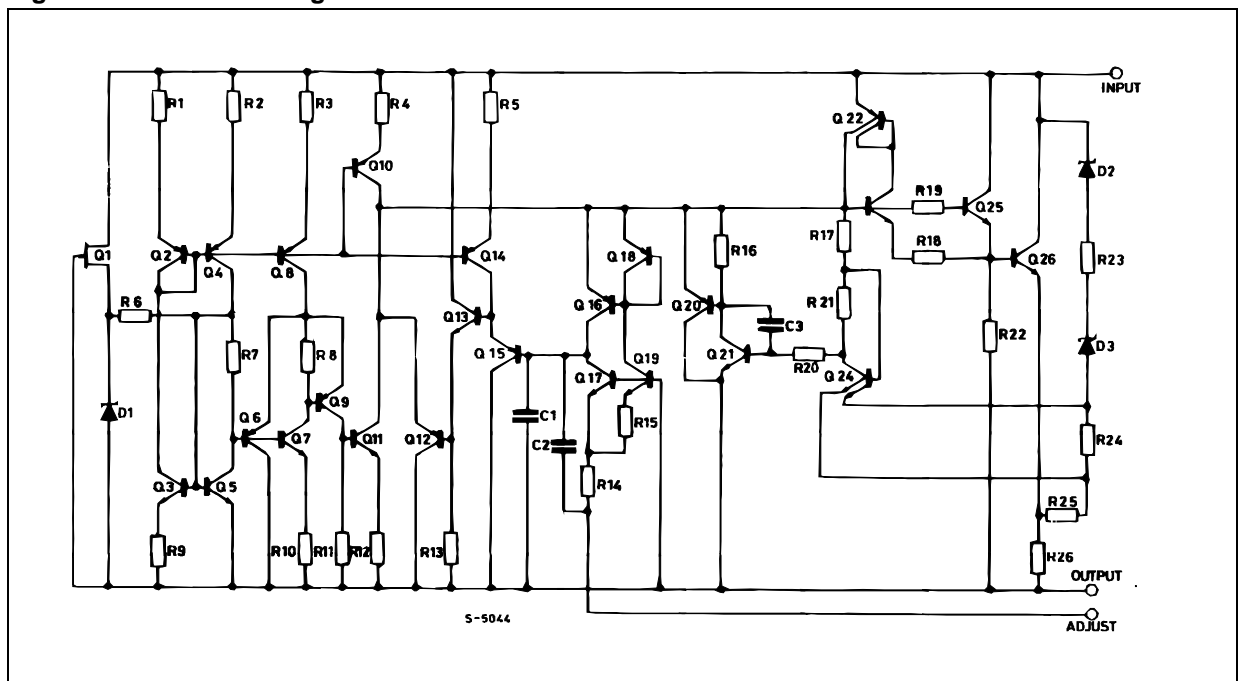


Table 1: Absolute Maximum Ratings

Symbol	Parameter	Value	Unit
$V_I - V_O$	Input-Output Differential Voltage	40	V
P_d	Power Dissipation	Internally Limited	
T_{opr}	Operating Junction Temperature Range	for LM217L	-40 to 125
		for LM317L	0 to 125
T_{stg}	Storage Temperature Range	-55 to 150	°C

Figure 2: Pin Connection (top view)

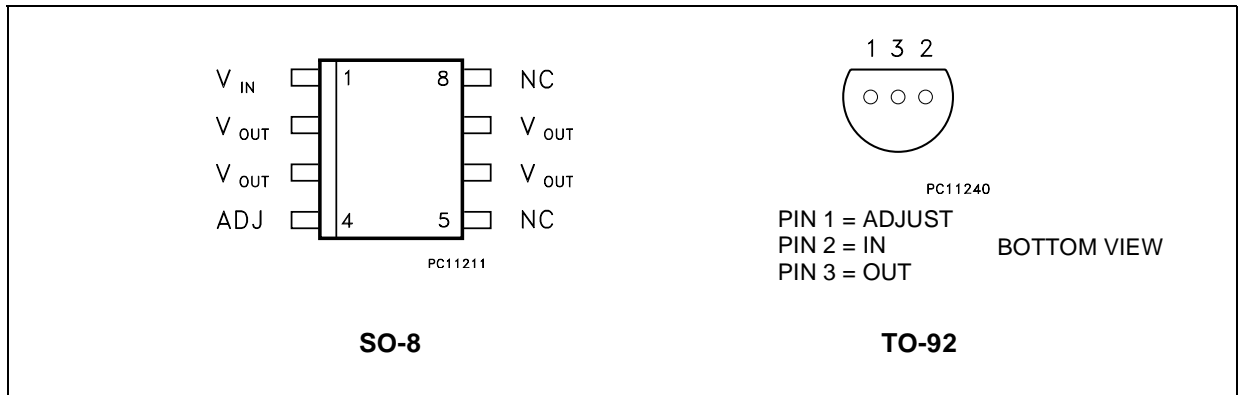


Table 2: Order Codes

TYPE	SO-8 (TUBE) (*)	TO-92 (BAG) (#)
LM217L	LM217LD	LM217LZ
LM317L	LM317LD	LM317LZ

(*) Available in Tape & Reel with the suffix "-TR".

(#) Available in Tape & Reel with the suffix "-TR" and in Ammopak with the suffix "-AP". Please note that in these cases pins are shaped according to Tape & Reel specifications.

Figure 3: Test Circuit

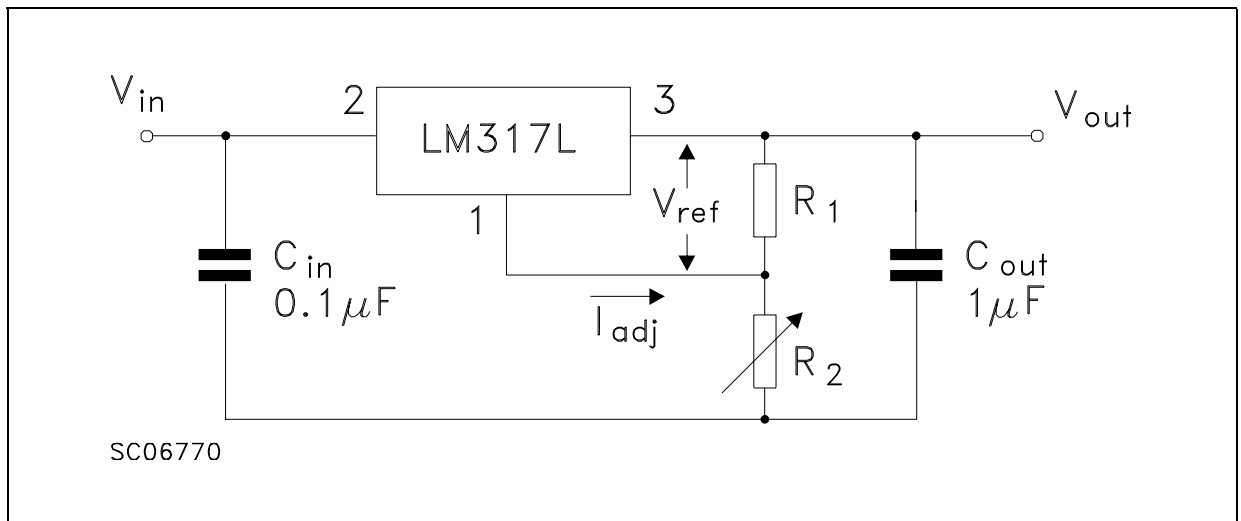


Table 3: Electrical Characteristics Of LM217L (refer to the test circuits, $T_J = -40$ to 125°C , $V_I - V_O = 5\text{ V}$, $I_O = 40\text{ mA}$, unless otherwise specified).

Symbol	Parameter	Test Conditions		Min.	Typ.	Max.	Unit
ΔV_O	Line Regulation	$V_I - V_O = 3$ to 40 V $I_L < 20\text{ mA}$	$T_J = 25^\circ\text{C}$		0.01	0.02	%V
					0.02	0.05	
ΔV_O	Load Regulation	$V_O \leq 5\text{ V}$ $I_O = 5$ to 100 mA	$T_J = 25^\circ\text{C}$		5	15	mV
					20	50	
		$V_O \geq 5\text{ V}$ $I_O = 5$ to 100 mA	$T_J = 25^\circ\text{C}$		0.1	0.3	%
					0.3	1	
I_{ADJ}	Adjustment Pin Current			50	100	μA	
ΔI_{ADJ}	Adjustment Pin Current	$V_I - V_O = 3$ to 40 V $P_d < 625\text{ mW}$	$I_O = 5$ to 100 mA		0.2	5	μA
V_{REF}	Reference Voltage	$V_I - V_O = 3$ to 40 V $P_d < 625\text{ mW}$	$I_O = 10$ to 500 mA	1.2	1.25	1.3	V
$\Delta V_O/V_O$	Output Voltage Temperature Stability				0.7		%
$I_{O(\min)}$	Minimum Load Current	$V_I - V_O = 40\text{ V}$			3.5	5	mA
$I_{O(\max)}$	Maximum Output Current	$V_I - V_O = 3$ to 13 V		100	200		mA
		$V_I - V_O = 40\text{ V}$			50		
eN	Output Noise Voltage	$B = 10\text{ Hz}$ to 10 KHz , $T_J = 25^\circ\text{C}$			0.003		%
SVR	Supply Voltage Rejection (*)	$T_J = 25^\circ\text{C}$ $f = 120\text{ Hz}$	$C_{ADJ} = 0$		65		dB
			$C_{ADJ} = 10\ \mu\text{F}$	66	80		

(*) C_{ADJ} is connected between Adjust pin and Ground.

Table 4: Electrical Characteristics Of LM317L (refer to the test circuits, $T_J = 0$ to 125°C , $V_I - V_O = 5\text{ V}$, $I_O = 40\text{ mA}$, unless otherwise specified).

Symbol	Parameter	Test Conditions		Min.	Typ.	Max.	Unit
ΔV_O	Line Regulation	$V_I - V_O = 3$ to 40 V $I_L < 20\text{ mA}$	$T_J = 25^\circ\text{C}$		0.01	0.04	%V
					0.02	0.07	
ΔV_O	Load Regulation	$V_O \leq 5\text{ V}$ $I_O = 5$ to 100 mA	$T_J = 25^\circ\text{C}$		5	25	mV
					20	70	
		$V_O \geq 5\text{ V}$ $I_O = 5$ to 100 mA	$T_J = 25^\circ\text{C}$		0.1	0.5	%
					0.3	1.5	
I_{ADJ}	Adjustment Pin Current			50	100	μA	
ΔI_{ADJ}	Adjustment Pin Current	$V_I - V_O = 3$ to 40 V $P_d < 625\text{ mW}$	$I_O = 5$ to 100 mA		0.2	5	μA
V_{REF}	Reference Voltage	$V_I - V_O = 3$ to 40 V $P_d < 625\text{ mW}$	$I_O = 5$ to 100 mA	1.2	1.25	1.3	V
$\Delta V_O/V_O$	Output Voltage Temperature Stability				0.7		%
$I_{O(\min)}$	Minimum Load Current	$V_I - V_O = 40\text{ V}$			3.5	5	mA
$I_{O(\max)}$	Maximum Output Current	$V_I - V_O = 3$ to 13 V		100	200		mA
		$V_I - V_O = 40\text{ V}$			50		
eN	Output Noise Voltage	$B = 10\text{ Hz}$ to 10 KHz	$T_J = 25^\circ\text{C}$		0.003		%
SVR	Supply Voltage Rejection (*)	$T_J = 25^\circ\text{C}$ $f = 120\text{ Hz}$	$C_{ADJ} = 0$		65		dB
			$C_{ADJ} = 10\ \mu\text{F}$		66	80	

(*) C_{ADJ} is connected between Adjust pin and Ground.

Figure 4: Current Limit

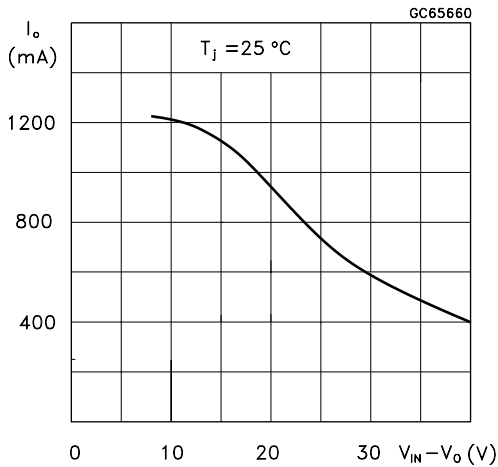
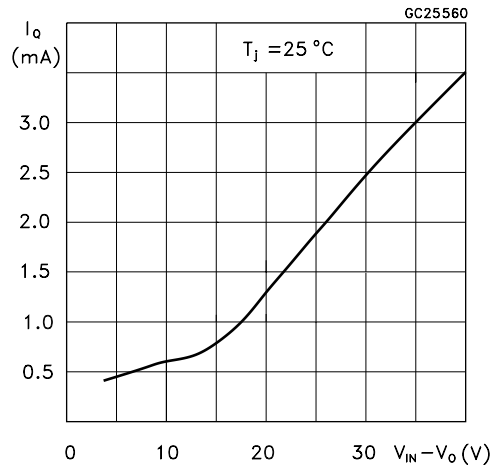


Figure 5: Minimum Operating Current



APPLICATION INFORMATION

The LM317L provides an internal reference voltage of 1.25V between the output and adjustments terminals. This is used to set a constant current flow across an external resistor divider (see fig. 4), giving an output voltage V_O of:

$$V_O = V_{REF} (1 + R_2/R_1) + I_{ADJ} R_2$$

The device was designed to minimize the term I_{ADJ} (100 μ A max) and to maintain it very constant with line and load changes. Usually, the error term $I_{ADJ} \times R_2$ can be neglected. To obtain the previous requirement, all the regulator quiescent current is returned to the output terminal, imposing a minimum load current condition. If the load is insufficient, the output voltage will rise.

Since the LM317L is a floating regulator and "sees" only the input-to-output differential voltage, supplies of very high voltage with respect to ground can be regulated as long as the maximum input-to-output differential is not exceeded. Furthermore, programmable regulator are easily obtainable and, by connecting a fixed resistor between the adjustment and output, the device can be used as a precision current regulator. In order to optimize the load regulation, the current set resistor R_1 (see fig. 4) should be tied as close as possible to the regulator, while the ground terminal of R_2 should be near the ground of the load to provide remote ground sensing.

Figure 6: Basic Adjustable Regulator

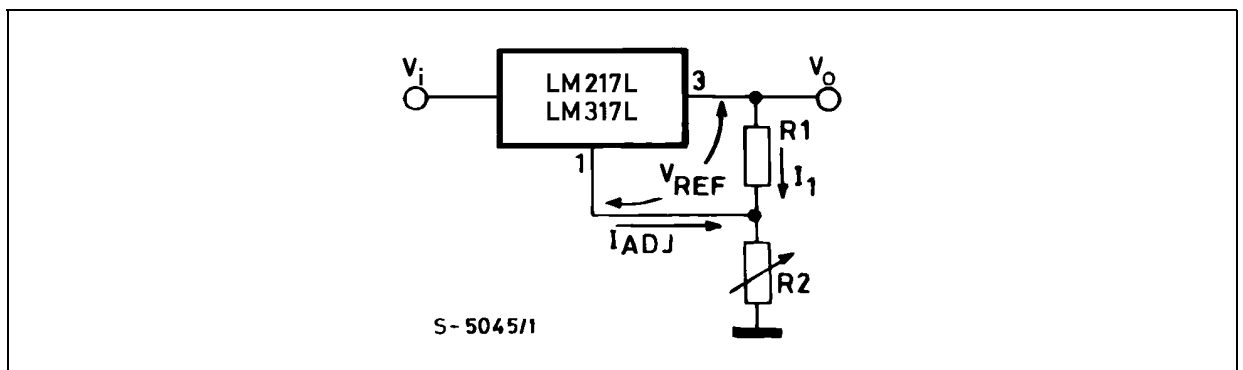


Figure 7: Voltage Regulator with Protection Diodes

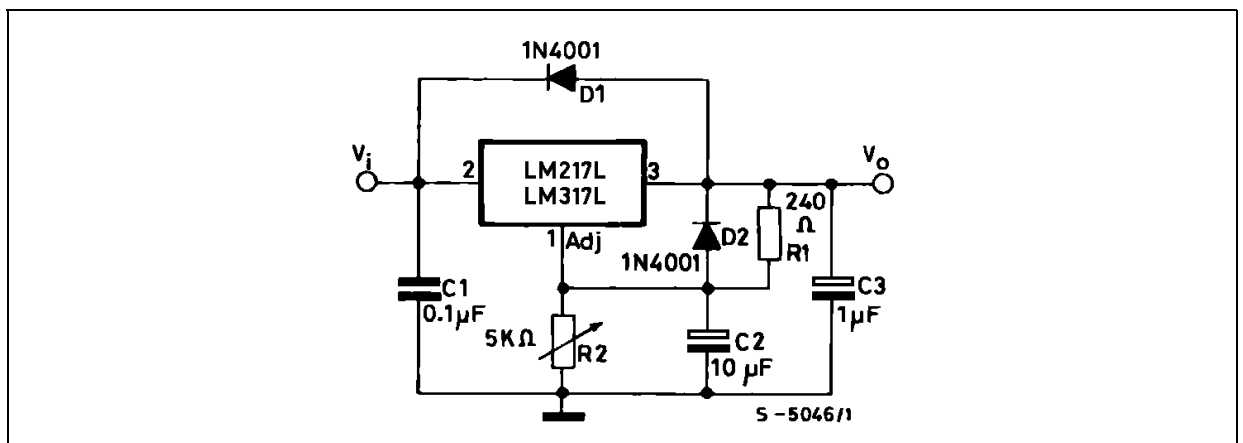


Figure 8: Slow Turn-on 15V Regulator

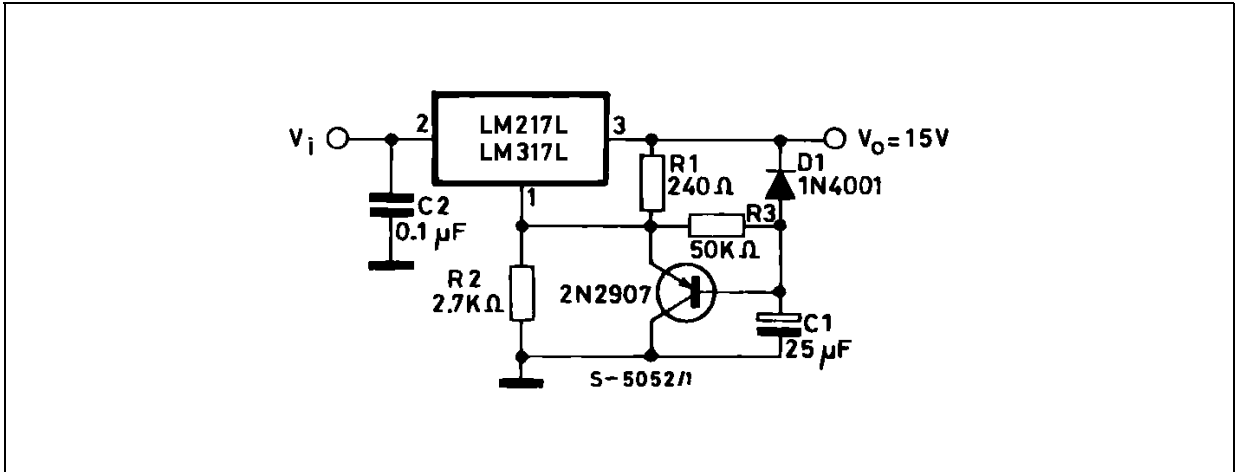


Figure 9: Current Regulator

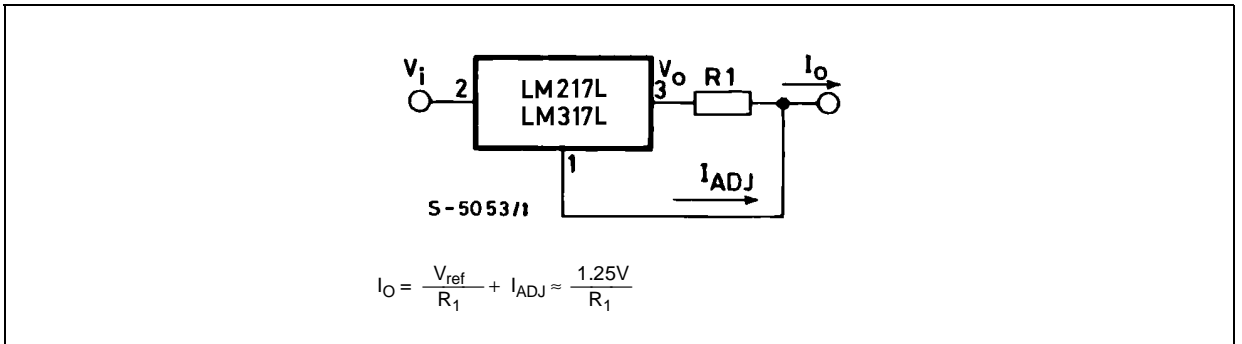


Figure 10: 5V Electronic Shut-down Regulator

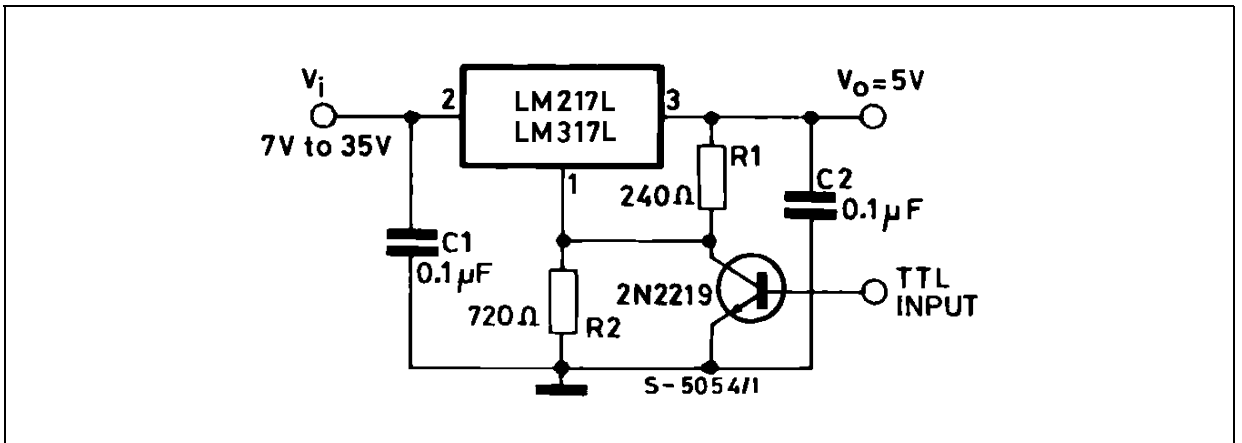
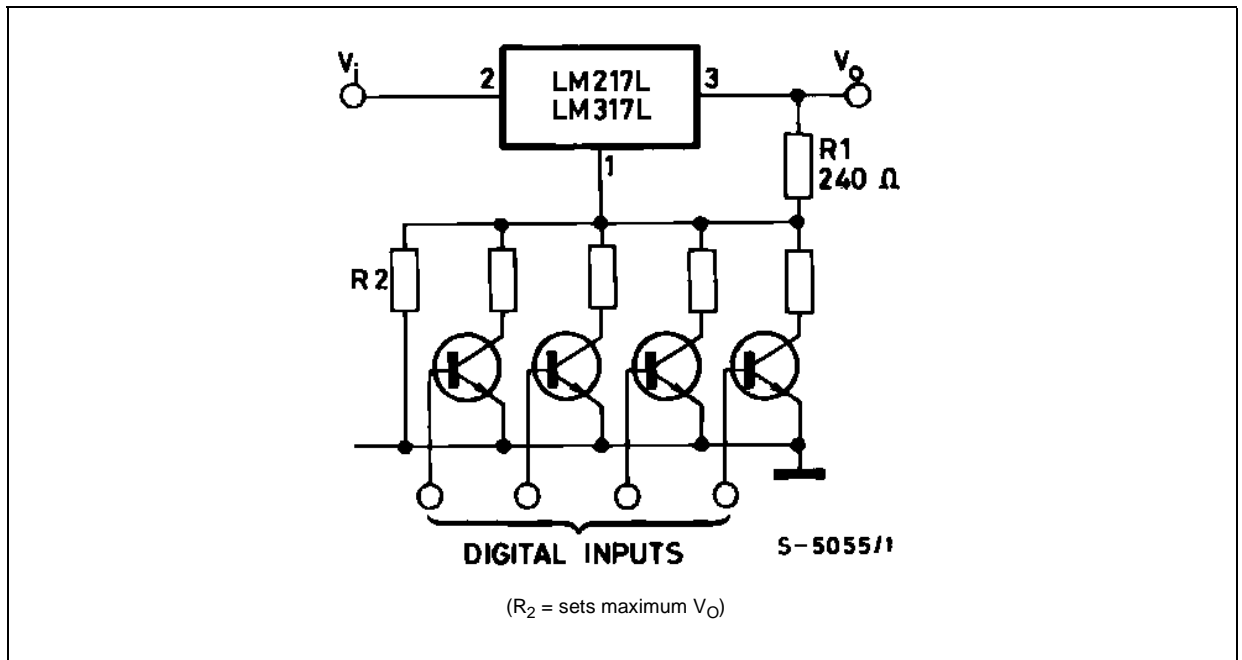
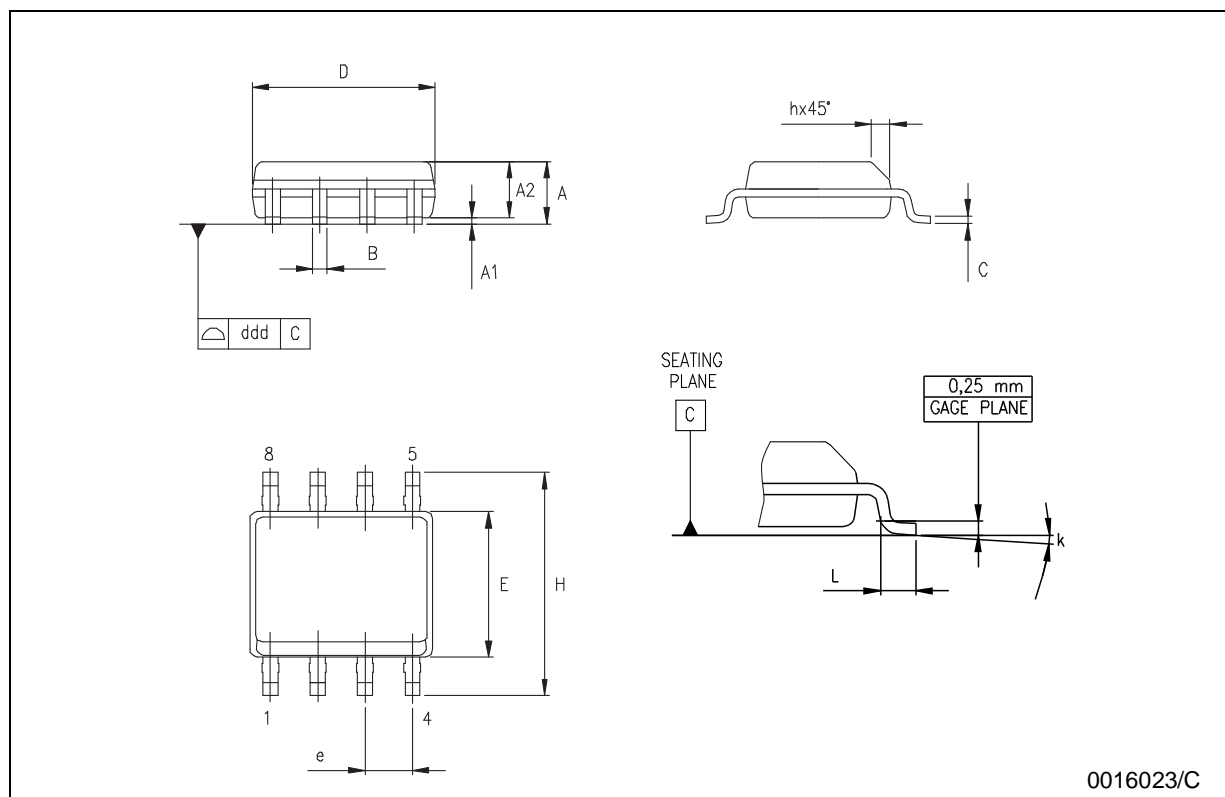


Figure 11: Digitally Selected Outputs



SO-8 MECHANICAL DATA

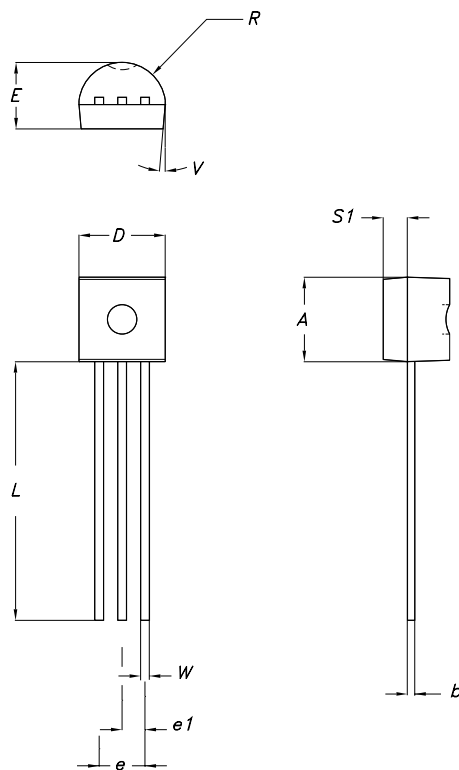
DIM.	mm.			inch		
	MIN.	TYP	MAX.	MIN.	TYP.	MAX.
A	1.35		1.75	0.053		0.069
A1	0.10		0.25	0.04		0.010
A2	1.10		1.65	0.043		0.065
B	0.33		0.51	0.013		0.020
C	0.19		0.25	0.007		0.010
D	4.80		5.00	0.189		0.197
E	3.80		4.00	0.150		0.157
e		1.27			0.050	
H	5.80		6.20	0.228		0.244
h	0.25		0.50	0.010		0.020
L	0.40		1.27	0.016		0.050
k	8° (max.)					
ddd			0.1			0.04



0016023/C

TO-92 MECHANICAL DATA

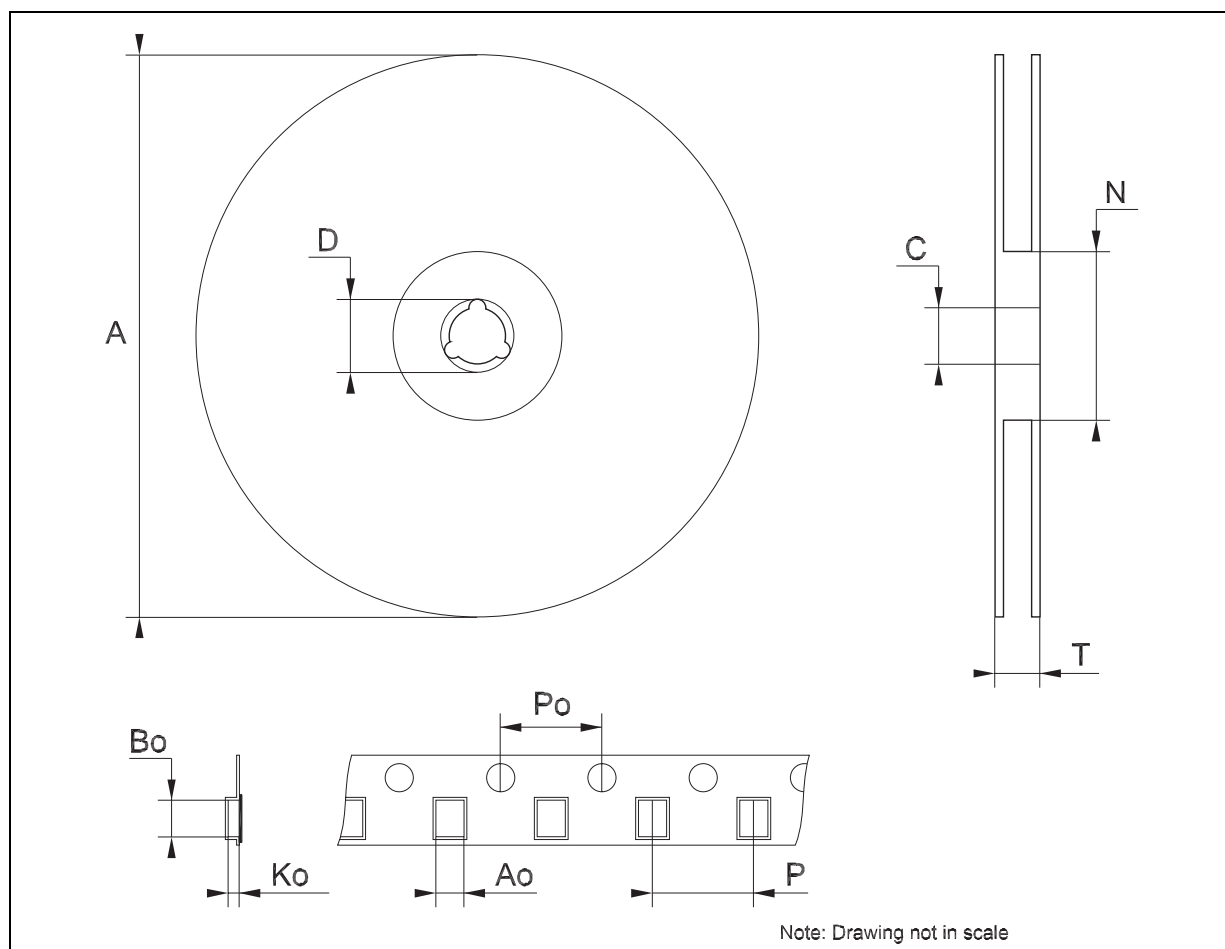
DIM.	mm.			mils		
	MIN.	TYP	MAX.	MIN.	TYP.	MAX.
A	4.32		4.95	170.1		194.9
b	0.36		0.51	14.2		20.1
D	4.45		4.95	175.2		194.9
E	3.30		3.94	129.9		155.1
e	2.41		2.67	94.9		105.1
e1	1.14		1.40	44.9		55.1
L	12.7		15.49	500.0		609.8
R	2.16		2.41	85.0		94.9
S1	0.92		1.52	36.2		59.8
W	0.41		0.56	16.1		22.0
α		5°			5°	



0102782/D

Tape & Reel SO-8 MECHANICAL DATA

DIM.	mm.			inch		
	MIN.	TYP	MAX.	MIN.	TYP.	MAX.
A			330			12.992
C	12.8		13.2	0.504		0.519
D	20.2			0.795		
N	60			2.362		
T			22.4			0.882
Ao	8.1		8.5	0.319		0.335
Bo	5.5		5.9	0.216		0.232
Ko	2.1		2.3	0.082		0.090
Po	3.9		4.1	0.153		0.161
P	7.9		8.1	0.311		0.319



Tape & Reel for TO-92 MECHANICAL DATA

DIM.	mm.			inch		
	MIN.	TYP	MAX.	MIN.	TYP.	MAX.
A1		4.80			0.189	
T		3.80			0.150	
T1		1.60			0.063	
T2		2.30			0.091	
d		0.48			0.019	
P0	12.5		12.9	0.492		0.508
P2	5.65		7.05	0.222		0.278
F1, F2	2.44	2.54	2.94	0.096	0.100	0.116
delta H		±2			0.079	
W	17.5	18.00	19.0	0.689	0.709	0.748
W0	5.7		6.3	0.224		0.248
W1	8.5		9.25	0.335		0.364
W2		0.50			0.20	
H		18.50	18.70		0.728	0.726
H0	15.50		16.50	0.610		0.650
H1		25.00			0.984	
D0	3.8		4.2	0.150		0.165
t		0.90			0.035	
L1		3			0.118	
delta P		±1			0.039	
u		50			1.968	
Φ1		360			14.173	
Φ2		30			1.181	

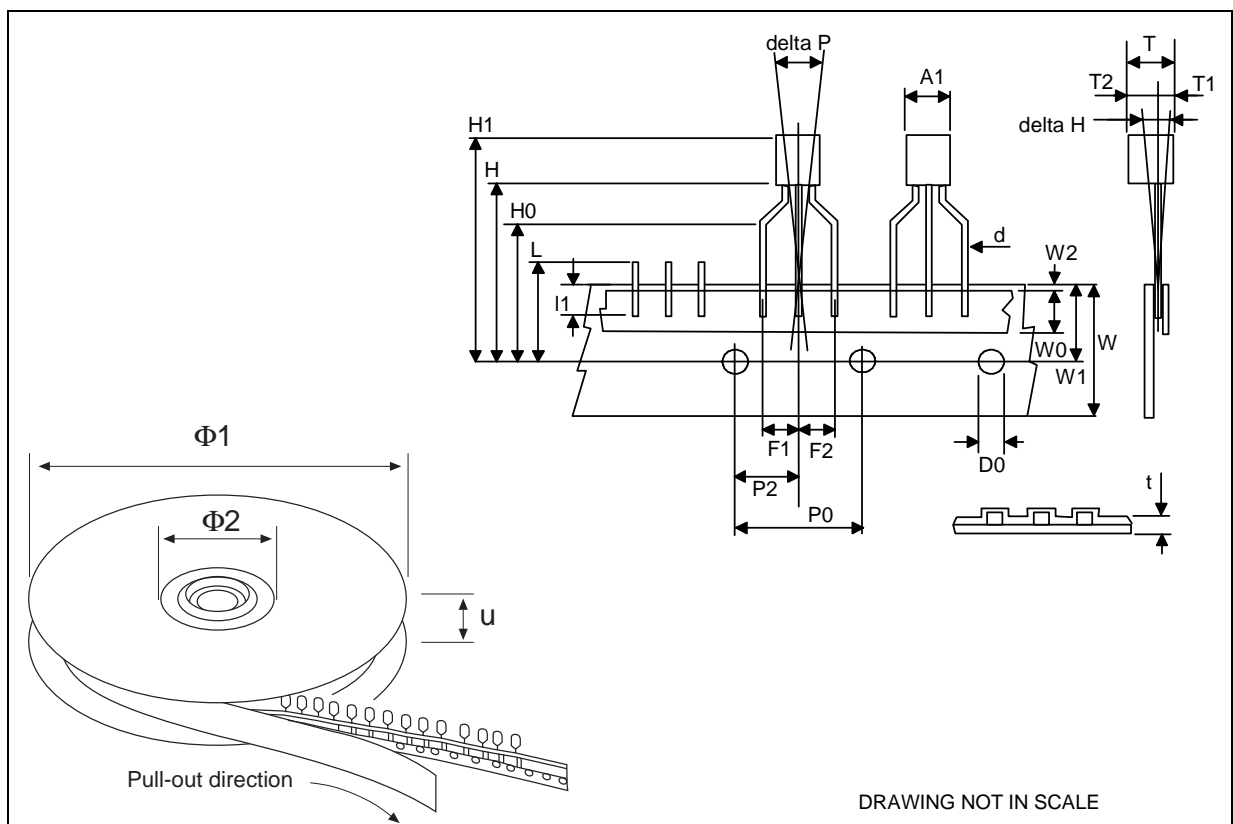


Table 5: Revision History

Date	Revision	Description of Changes
16-Mar-2005	2	Add Tape & Reel for TO-92.
23-Dec-2005	3	Mistake on Ordering Table in Header.

Information furnished is believed to be accurate and reliable. However, STMicroelectronics assumes no responsibility for the consequences of use of such information nor for any infringement of patents or other rights of third parties which may result from its use. No license is granted by implication or otherwise under any patent or patent rights of STMicroelectronics. Specifications mentioned in this publication are subject to change without notice. This publication supersedes and replaces all information previously supplied. STMicroelectronics products are not authorized for use as critical components in life support devices or systems without express written approval of STMicroelectronics.

The ST logo is a registered trademark of STMicroelectronics

All other names are the property of their respective owners

© 2005 STMicroelectronics - All Rights Reserved

STMicroelectronics group of companies

Australia - Belgium - Brazil - Canada - China - Czech Republic - Finland - France - Germany - Hong Kong - India - Israel - Italy - Japan - Malaysia - Malta - Morocco - Singapore - Spain - Sweden - Switzerland - United Kingdom - United States of America

www.st.com