

**Features**

- 450MHz small signal bandwidth
- 1500V/ $\mu$ s slew rate
- 5.2mA/channel static supply current
- 65mA output current
- 120MHz gain flatness to +/- 0.1dB
- 14 pin SOIC

**Applications**

- Video switchers/routers
- Video line drivers
- Twisted pair driver/receiver
- Active filters

**Description**

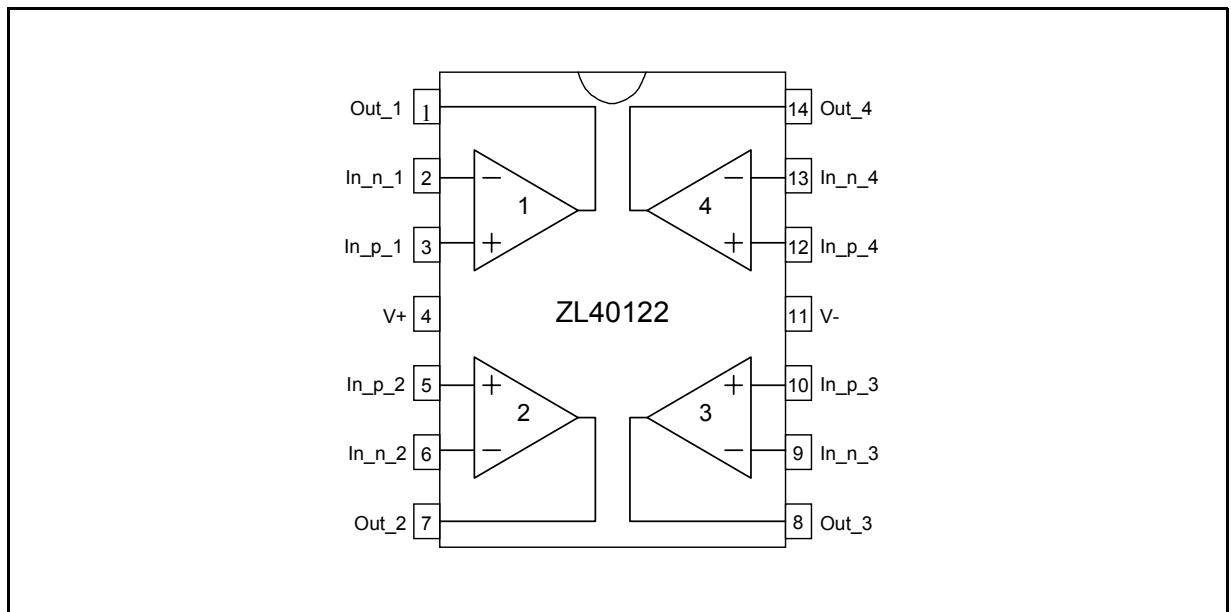
The ZL40122 is a high speed, quad, current feedback operational amplifier offering high performance at a low cost. The device has a very high output current drive capability of 65mA while requiring only 5.2mA of static supply current. This feature makes the ZL40122 the ideal choice where a high density of high speed devices is required.

**Ordering Information**

ZL40122/DCA (tubes) 14 lead SOIC  
 ZL40122/DCB (tape and reel) 14 lead SOIC  
**-40°C to +85°C**

The flat gain response to 120MHz, 450MHz small signal bandwidth and 1500V/ $\mu$ s slew rate make the device an excellent solution for video applications such as driving video signals down significant cable lengths.

Other applications which may take advantage of the ZL40122 superior dynamic performance features include low cost high order active filters and twisted pair driver/receivers.



**Figure 1 - Functional Block Diagram and Pin Connection**

## Application Notes

### Current Feedback Op Amps

Current feedback op amps offer several advantages over voltage feedback amplifiers:

- AC bandwidth not dependent on closed loop gain
- High Slew Rate
- Fast settling time

The architecture of the current feedback opamp consists of a high impedance non-inverting input and a low impedance inverting input which is always feedback connected. The error current is amplified by a transimpedance amplifier which can be considered to have gain

$$Z(f) = \frac{Z_o}{1 + j\left(\frac{f}{f_o}\right)}$$

where  $Z_o$  is the DC gain.

It can be shown that the closed loop non-inverting gain is given by

$$\frac{V_{out}}{V_{in}} = \frac{A_v}{1 + j\left(\frac{fR_f}{f_oZ_o}\right)}$$

where  $A_v$  is the DC closed loop gain,  $R_f$  is the feedback resistor. The closed loop bandwidth is therefore given by

$$BW_{CL} = \frac{f_oZ_o}{R_f} = \frac{GB_{OL}}{R_f}$$

and for low values of closed loop gain  $A_v$  depends only on the feedback resistor  $R_f$  and not the closed loop gain.

Increasing the value of  $R_f$

- Increases closed loop stability
- Decreases loop gain
- Decreases bandwidth
- Reduces gain peaking
- Reduces overshoot

Using a resistor value of  $R_f=510\Omega$  for  $A_v=+2$  V/V gives good stability and bandwidth. However since requirements for stability and bandwidth vary it may be worth experimentation to find the optimal  $R_f$  for a given application.

### Layout Considerations

Correct high frequency operation requires a considered PCB layout as stray capacitances have a strong influence over high frequency operation for this device. The Zarlink evaluation board serves as a good example layout that should be copied. The following guidelines should be followed:

- Include 6.8uF tantalum and 0.1uF ceramic capacitors on both positive and negative supplies
- Remove the ground plane under and around the part, especially near the input and output pins to reduce parasitic capacitances
- Minimize all trace lengths to reduce series inductance

Application Diagrams

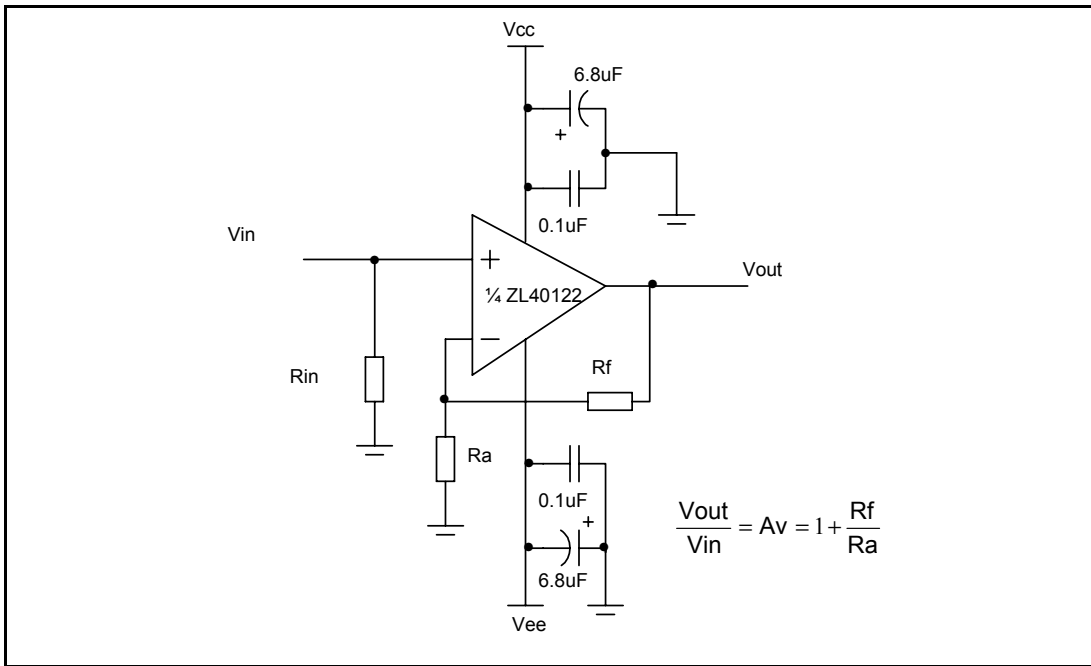


Figure 2 - Non-inverting Gain

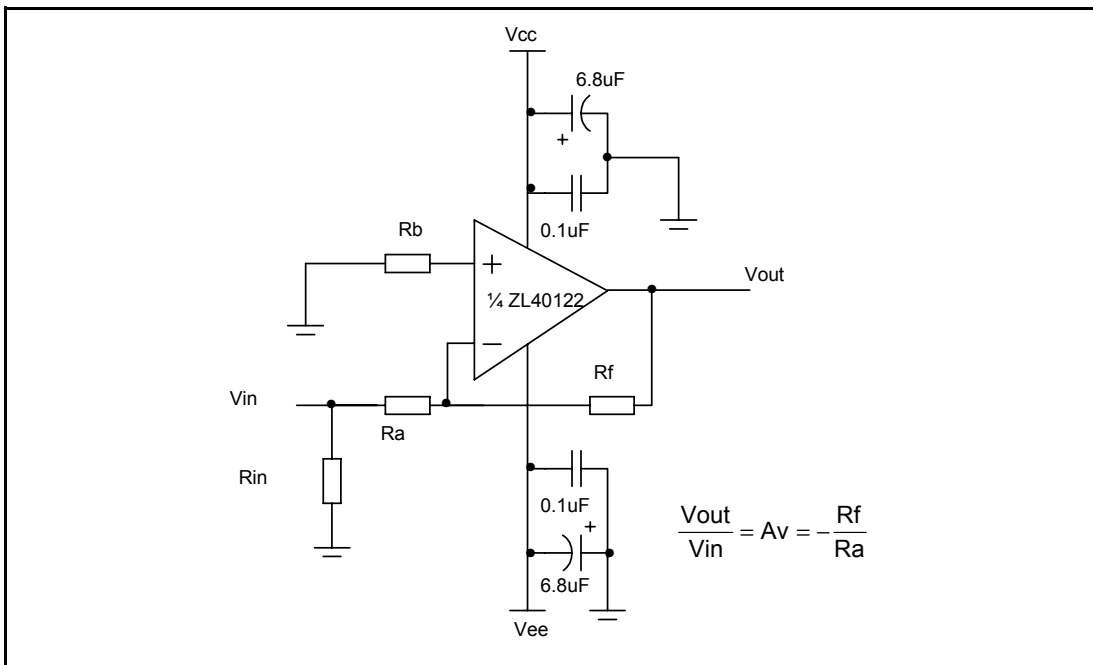


Figure 3 - Inverting Gain

## Absolute Maximum Ratings

	Parameter	Symbol	Min	Max	Units
1	Vin Differential	$V_{IN}$		$\pm 1.2$	V
2	Output Short Circuit Protection	$V_{OS/C}$		See Apps Note in this data sheet	
3	Supply voltage	$V+, V-$		$\pm 6.5$	V
4	Voltage at Input Pins	$V_{(+IN)}, V_{(-IN)}$	V-	V+	V
5	Voltage at Output Pins	$V_O$	V-	V+	V
6	EDS Protection (HBM Human Body Model) (see Note 2)		2	(see Note 3)	kV
7	Storage Temperature		-55	+150	°C
8	Latch-up test		$\pm 100\text{mA}$ for 100ms	(see Note 4)	
9	Supply transient test		20% pulse for 100ms	(see Note 5)	

Note 1: Absolute Maximum Ratings indicate limits beyond which damage to the device may occur. Operating Ratings indicate conditions for which the device is intended to be functional, but specific performance is not guaranteed. For guaranteed specifications and the test conditions, see the Electrical Characteristics.

Note 2: Human body model, 1.5k $\Omega$  in series with 100pF. Machine model, 20 $\Omega$  in series with 100pF.

Note 3: 0.8kV between the pairs of +INA, -INA and +INB pins only. 2kV between supply pins, OUTA or OUTB pins and any input pin.

Note 4:  $\pm 100\text{mA}$  applied to input and output pins to force the device to go into "latch-up". The device passes this test to JEDEC spec 17.

Note 5: Positive and Negative supply transient testing increases the supplies by 20% for 100ms.

## Operating Range

Characteristic	Min	Typ	Max	Units	Comments
Supply Voltage (Vcc)	$\pm 4.0$		$\pm 6.0$	V	
Operating Temperature (Ambient)	-40		+85	°C	
Junction to Ambient resistance	Rth(j-a)	150		°C 4 layer FR4 board	
Junction to Case resistance	Rth(j-c)	60		°C 4 layer FR4 board	

**Electrical Characteristics** -  $V_{CC}=\pm 5V$ ,  $T_{amb}=25C$ (typ.),  $T_{amb}=-40C$  to  $+85C$ (min-max),  $A_v=+2V/V$ ,  $R_f=510\Omega$ ,  $R_{load}=100\Omega$  unless specified.

Characteristic	Conditions	Typ 25C	Min/ Max 25C	Min/ Max -40 to +85C	Units	Test Type <sup>1</sup>
<b>Frequency Domain Response</b>						
-3dB Bandwidth	$A_v=+1$ ; $V_o < 0.5V_{p-p}$ ; $R_f=1.5k\Omega$	450	-	-	MHz	C
	$A_v=+2$ ; $V_o < 0.5V_{p-p}$ ; $R_f=510\Omega$	380	-	-	MHz	C
	$A_v=+2$ ; $V_o < 5V_{p-p}$ ; $R_f=510\Omega$	170	-	-	MHz	C
+/- 0.1dB Flatness	$A_v=+2$ ; $V_o < 0.5V_{p-p}$ ; $R_f=510\Omega$	120	-	-	MHz	C
Differential Gain (NTSC)	$R_{load}=150\Omega$	0.01	-	-	%	C
Differential Phase (NTSC)	$R_{load}=150\Omega$	0.015	-	-	deg.	C
<b>Time Domain Response</b>						
Rise and Fall Time	$V_{out}=0.5V$ Step	1	-	-	ns	C
	$V_{out}=5V$ Step	2.8	-	-	ns	C
Settling Time to 0.1%	$V_{out}=2V$ Step	6	-	-	ns	C
Overshoot	$V_{out}=0.5V$ Step	4	-	-	%	C
Slew Rate	$V_{out}=5V$ Step	1500	-	-	V/ $\mu s$	C
<b>Noise and Distortion</b>						
2 <sup>nd</sup> Harmonic Distortion	$V_{out}=2V_{p-p}$ , 1MHz	-84	-	-	dBc	C
3 <sup>rd</sup> Harmonic Distortion	$V_{out}=2V_{p-p}$ , 1MHz	-85	-	-	dBc	C
Equivalent Input Noise						
Voltage	>1MHz	5.5	-	-	nV $\sqrt{Hz}$	C
Non-Inverting Current	>1MHz	1.3	-	-	pV $\sqrt{Hz}$	C
Inverting Current	>1MHz	11	-	-	pA $\sqrt{Hz}$	C
<b>Static, DC Performance</b>						
Input Offset Voltage		2.7	$\pm 6.3$	$\pm 7.7$	mV	A
Average Drift		-	-	15	$\mu V/deg. C$	C
Input Bias Current – Non-inverting		2.6	$\pm 5.6$	$\pm 6$	$\mu A$	A
Average Drift		-	-	6	nA/deg. C	C

Characteristic	Conditions	Typ 25C	Min/ Max 25C	Min/ Max -40 to +85C	Units	Test Type <sup>1</sup>
Input Bias Current – Inverting		7.4	±25	±28	μA	A
Average Drift		-	-	15	nA/deg. C	C
Power Supply Rejection Ratio (+ve)	DC	61	58	57	dB	A
Power Supply Rejection Ratio (-ve)	DC	58	56	55	dB	A
Common Mode Rejection Ratio	DC	54	50	49	dB	A
Supply Current (per Channel)	Quiescent	5.2	6.5	6.7	mA	A
<b>Miscellaneous Performance</b>						
Input Resistance (Non-inverting)		8	-	-	MΩ	C
Input Capacitance (Non-inverting)		1	-	-	pF	C
Common Mode Input Range		±2.4	±2.2	±2.0	V	A
Output Voltage Range	Rload=100Ω	±2.8	±2.7	±2.6	V	A
Output Current (max)		65	-	-	mA	C
Output Resistance, Closed Loop	DC	90	-	-	mΩ	C

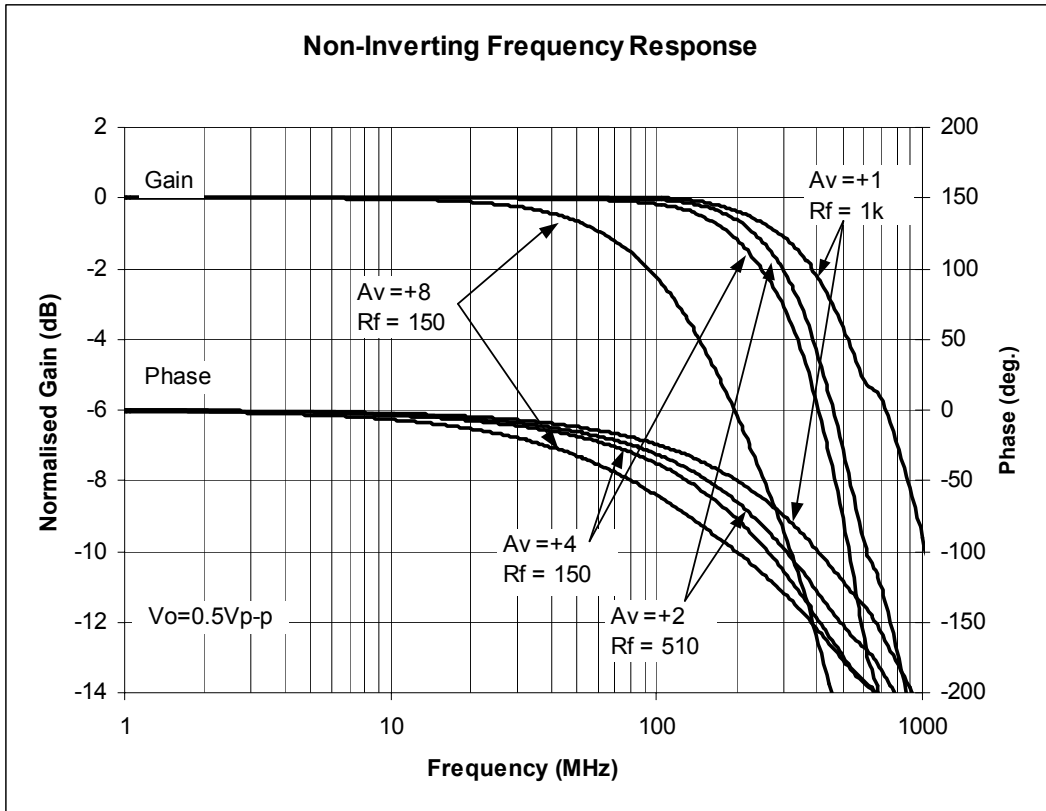
Note: Test Types:

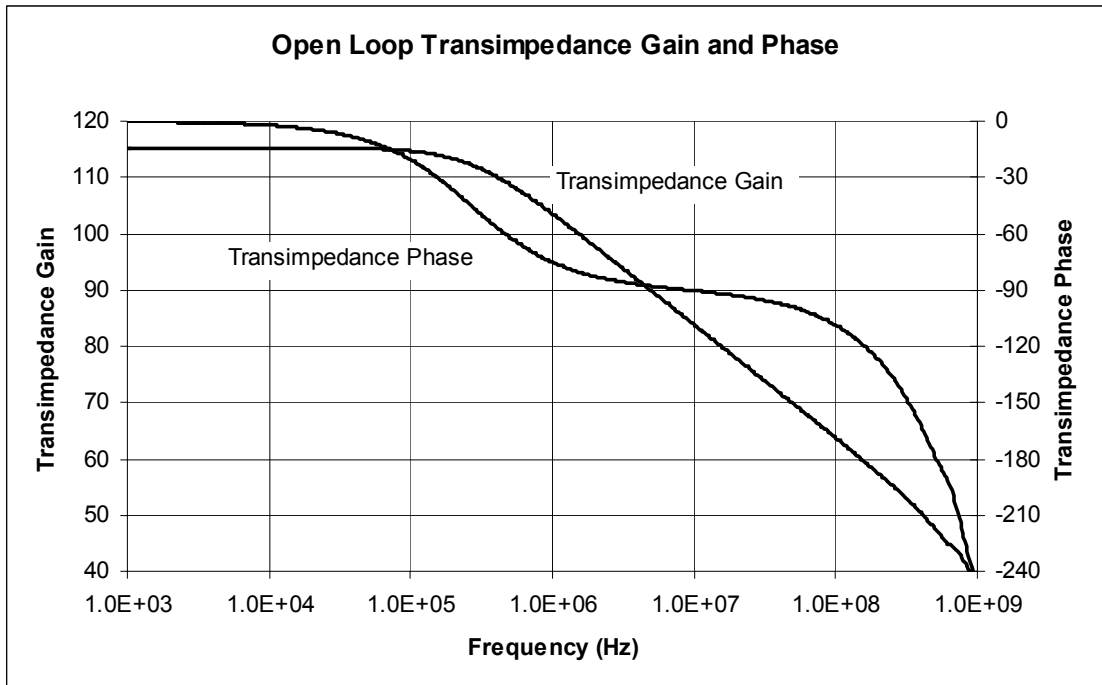
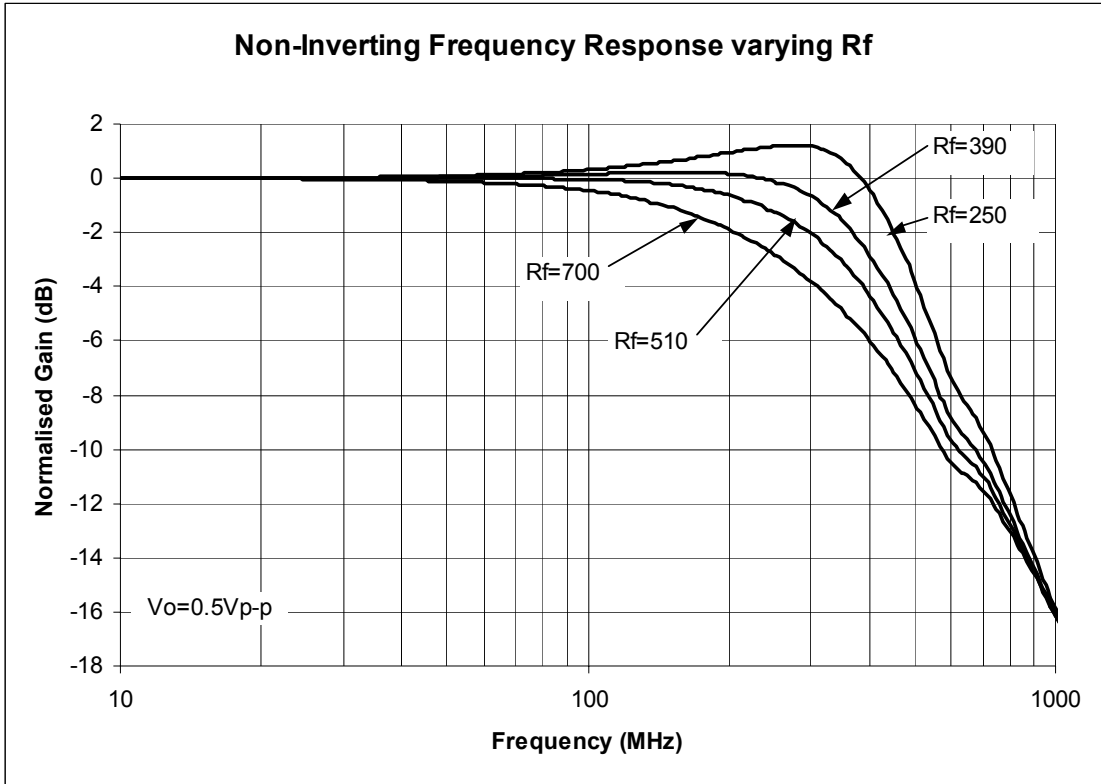
(A) 100% tested at 25°C. Over temperature limits are set by characterization and simulation.

(B) Limits set by characterization or simulation.

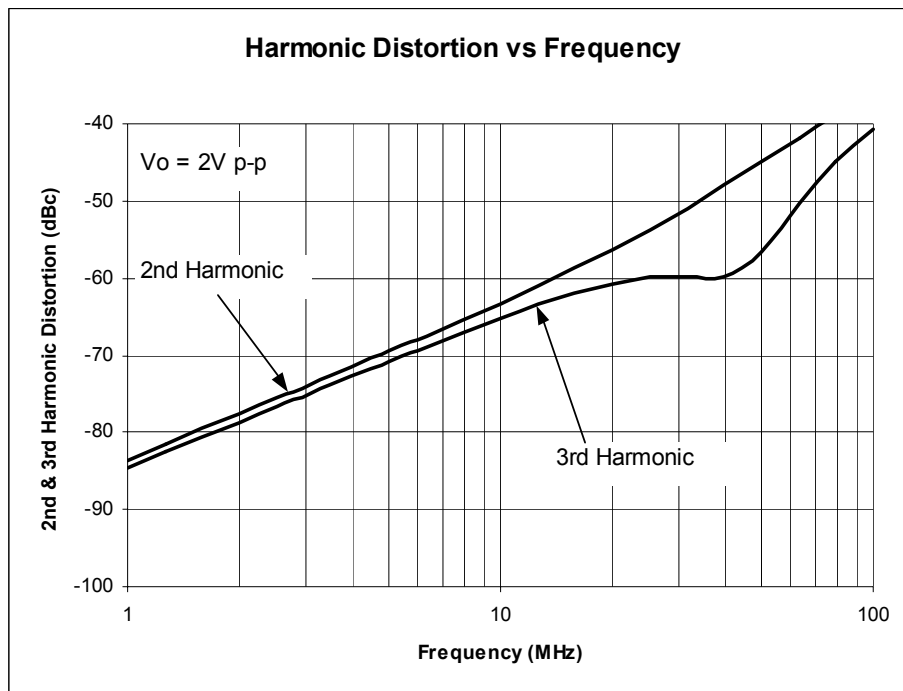
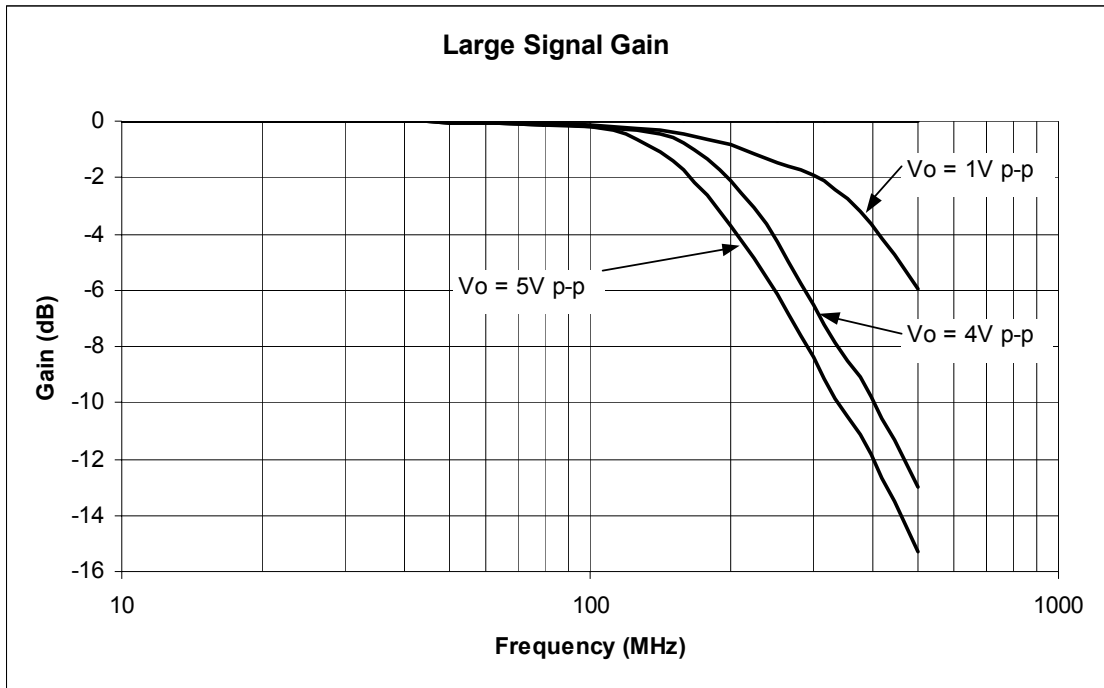
(C) Typical value only for information.

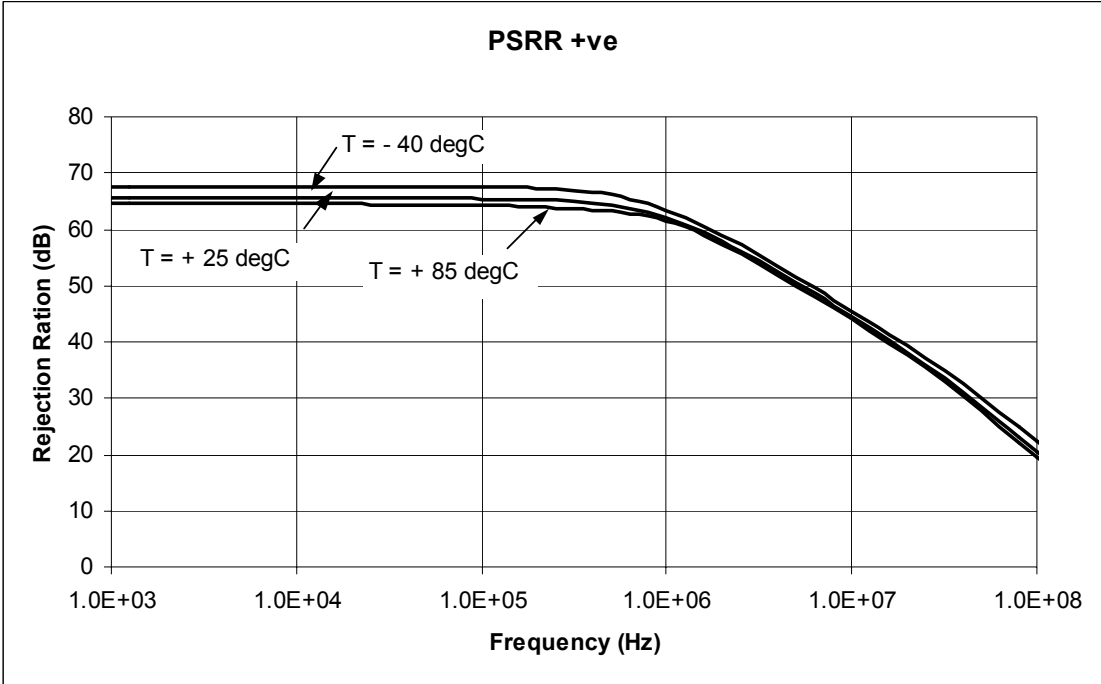
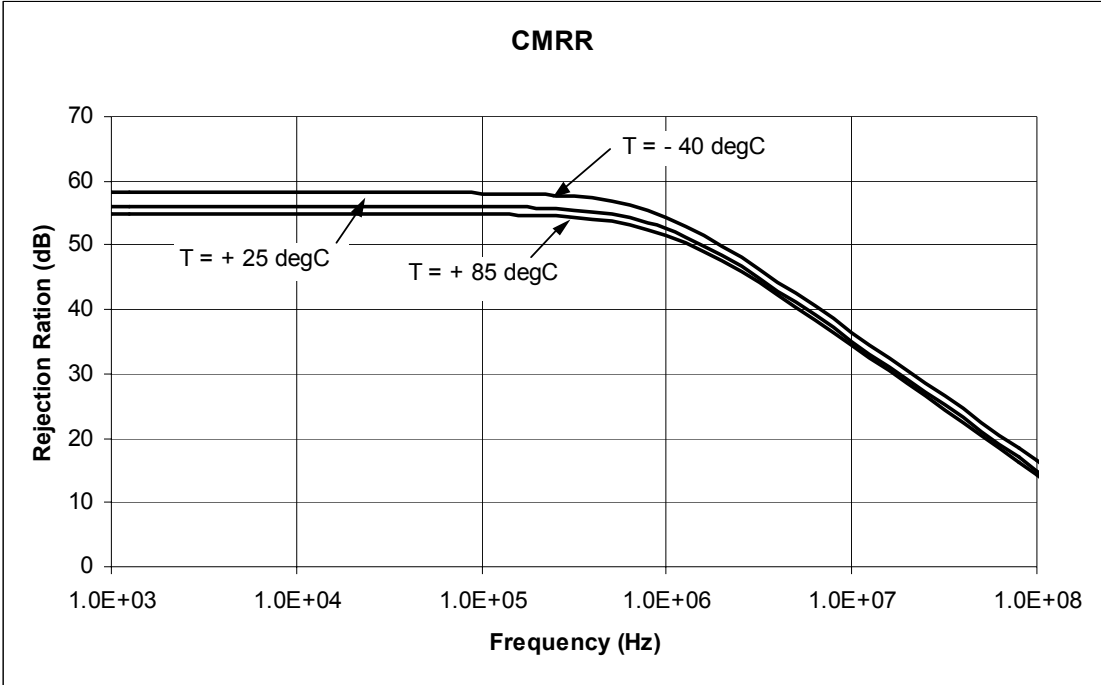
**Typical Performance Characteristics** -  $T_{amb}=25\text{degC}$ ,  $V_{supply}=\pm 5\text{V}$ ,  $R_{load}=100\Omega$ ,  $A_v=+2\text{V/V}$ ,  $R_f=510\Omega$ , unless otherwise specified.

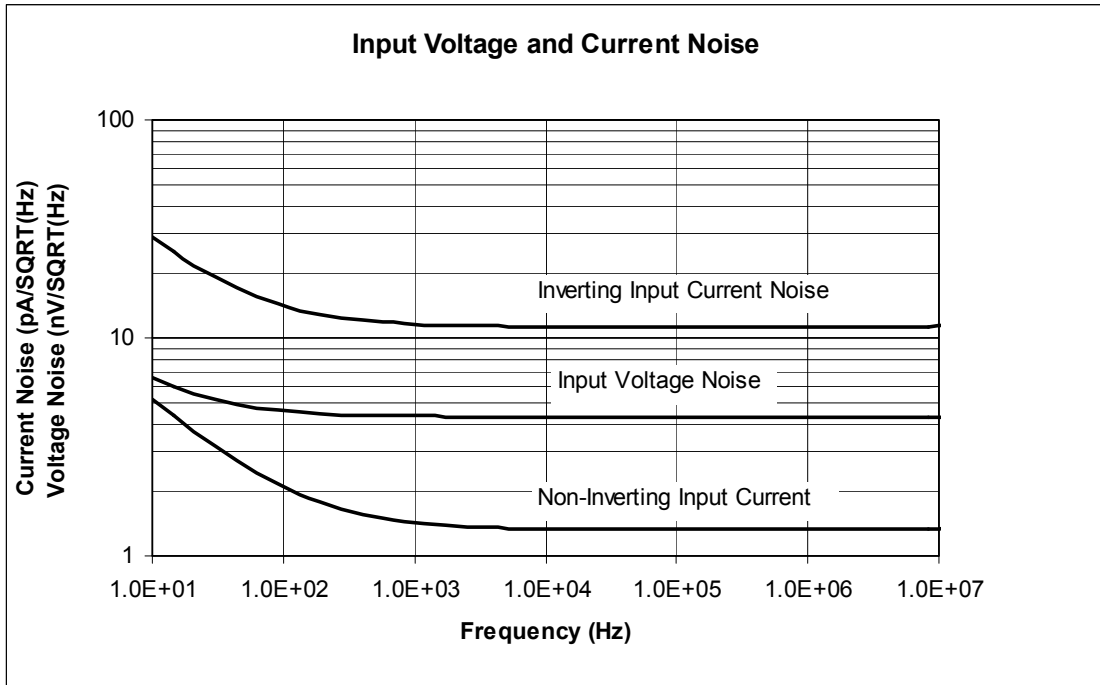
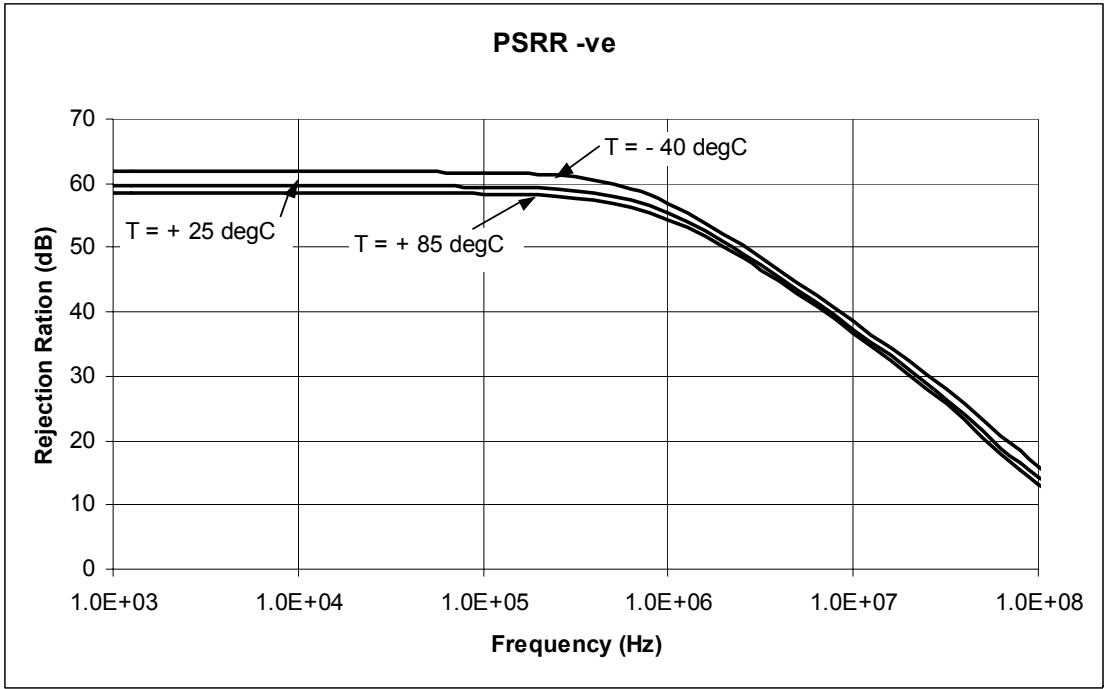


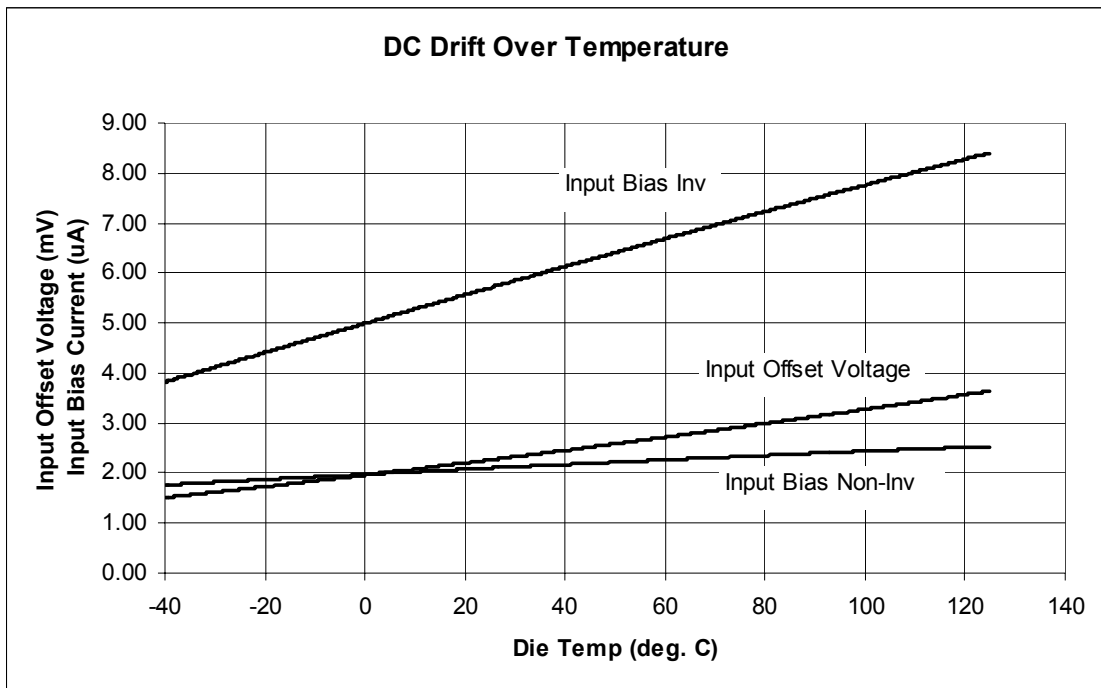
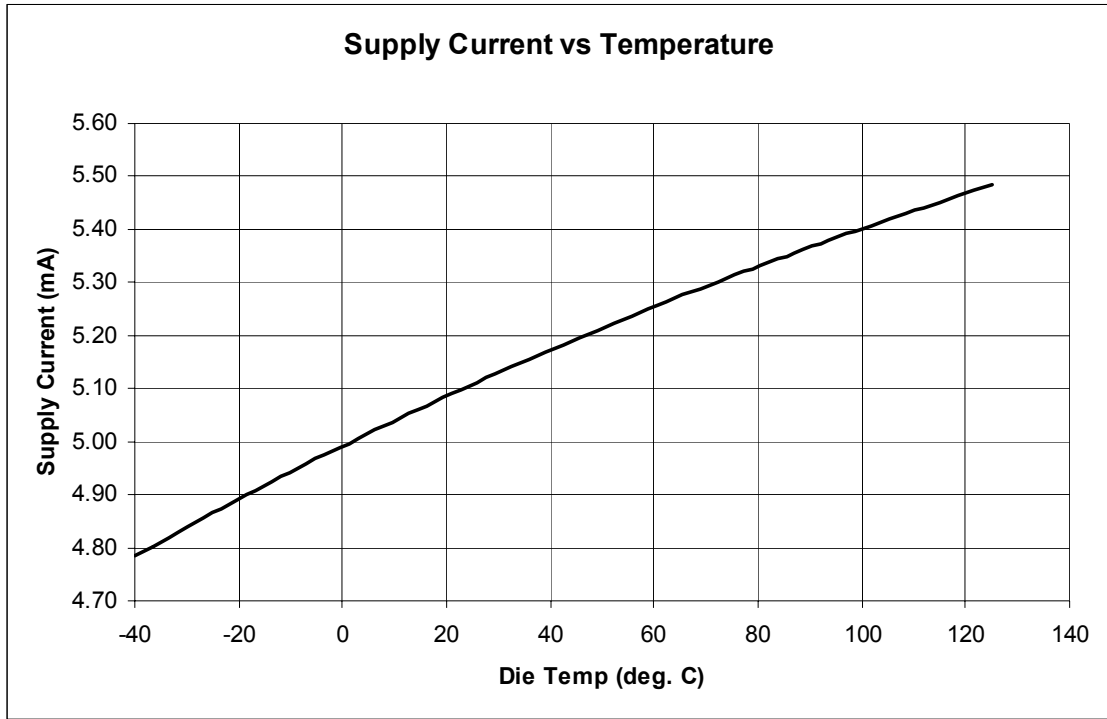


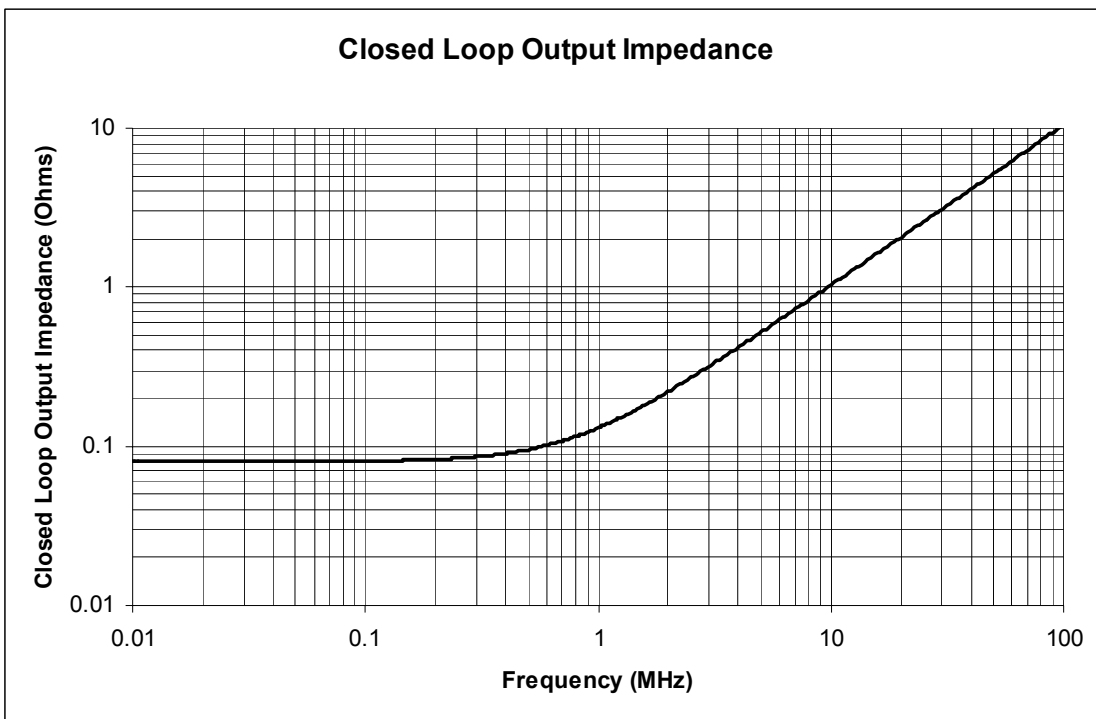
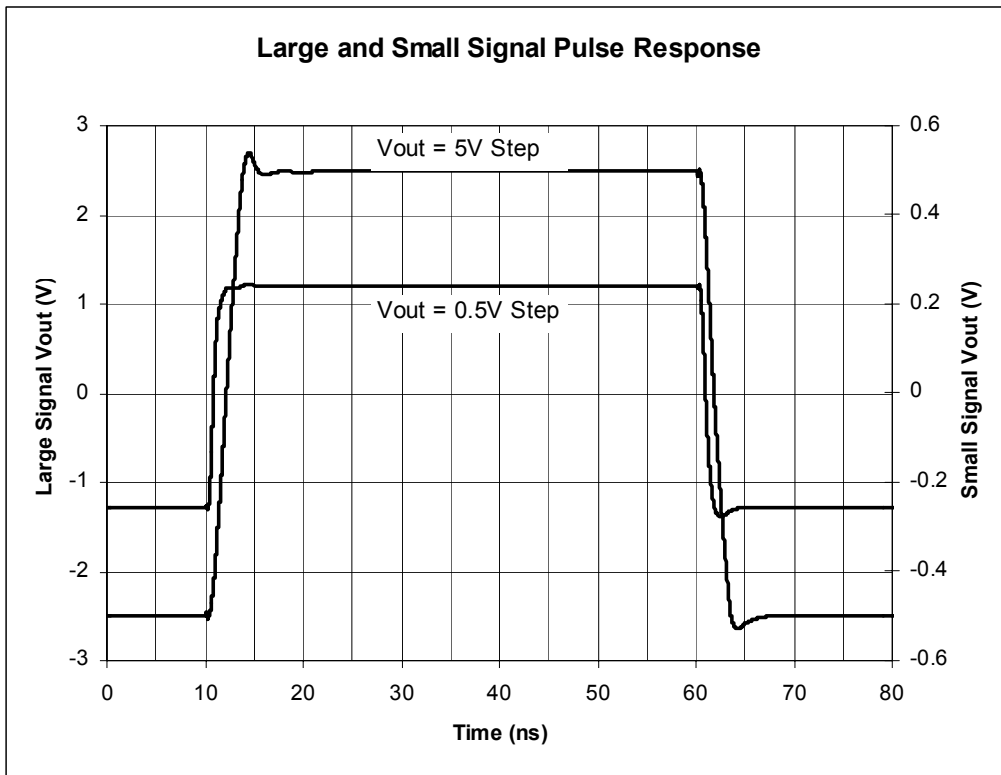


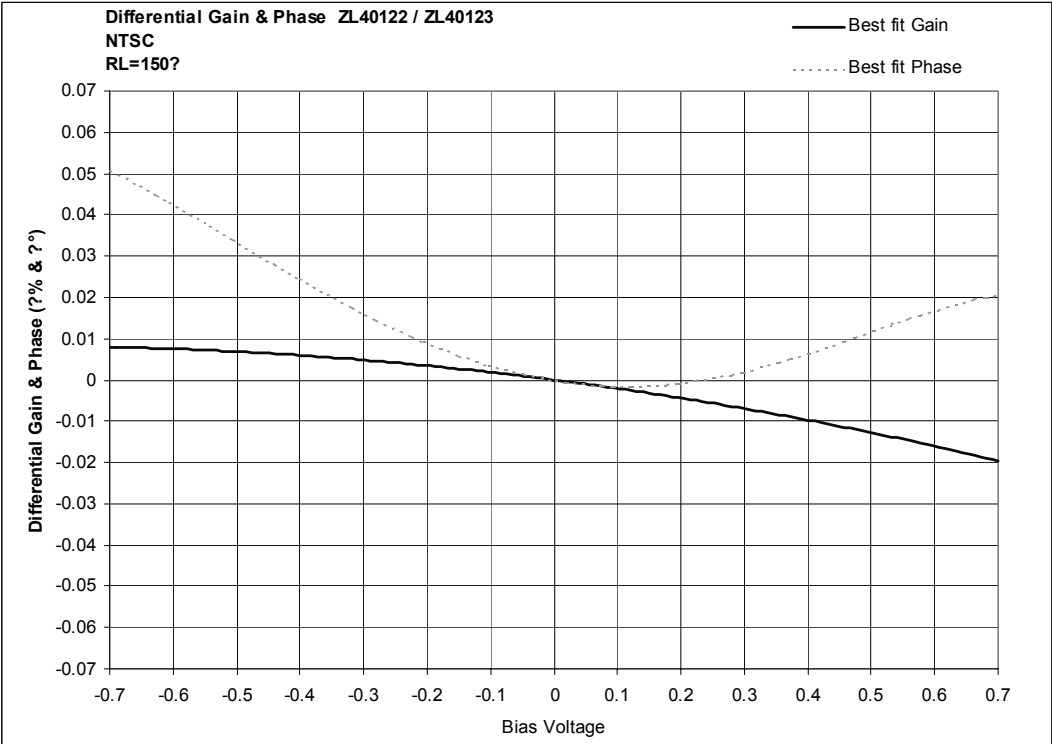


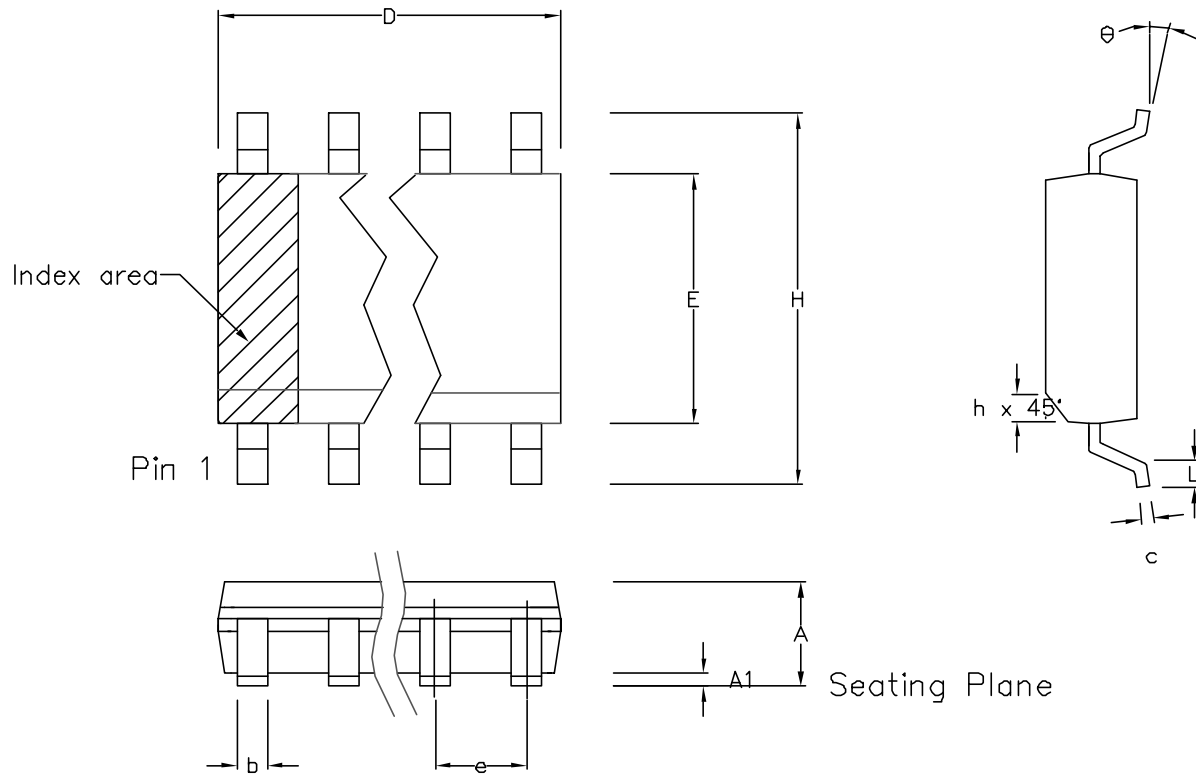












	Min mm	Max mm	Min inch	Max inch
A	1.35	1.75	0.053	0.069
A1	0.10	0.25	0.004	0.010
D	8.55	8.75	0.337	0.344
H	5.80	6.20	0.228	0.244
E	3.80	4.00	0.150	0.157
L	0.40	1.27	0.016	0.050
e	1.27 BSC		0.050 BSC	
b	0.33	0.51	0.013	0.020
c	0.19	0.25	0.008	0.010
$\theta$	$0^\circ$	$8^\circ$	$0^\circ$	$8^\circ$
h	0.25	0.50	0.010	0.020
Pin Features				
N	14		14	
Conforms to JEDEC MS-012AB Iss. C				

Notes:

1. The chamfer on the body is optional. If not present, a visual index feature, e.g. a dot, must be located within the cross-hatched area.
2. Controlling dimensions are in inches.
3. Dimension  $D$  do not include mould flash, protusion or gate burrs. These shall not exceed 0.006" per side.
4. Dimension  $E1$  do not include inter-lead flash or protusion. These shall not exceed 0.010" per side.
5. Dimension  $b$  does not include dambar protusion / intrusion. Allowable dambar protusion shall be 0.004" total in excess of  $b$  dimension.

© Zarlink Semiconductor 2003 All rights reserved.

ISSUE	6	2	3	4	5
ACN	214220	201937	202596	203707	212430
DATE	7Apr03	27Feb97	12Jun97	9Dec97	25Mar02
APPRD.					



Previous package codes

MP / S

Package Code DC

Package Outline for  
14 lead SOIC  
(0.150" Body Width)

GPD00011



**For more information about all Zarlink products  
visit our Web Site at  
[www.zarlink.com](http://www.zarlink.com)**

Information relating to products and services furnished herein by Zarlink Semiconductor Inc. or its subsidiaries (collectively "Zarlink") is believed to be reliable. However, Zarlink assumes no liability for errors that may appear in this publication, or for liability otherwise arising from the application or use of any such information, product or service or for any infringement of patents or other intellectual property rights owned by third parties which may result from such application or use. Neither the supply of such information or purchase of product or service conveys any license, either express or implied, under patents or other intellectual property rights owned by Zarlink or licensed from third parties by Zarlink, whatsoever. Purchasers of products are also hereby notified that the use of product in certain ways or in combination with Zarlink, or non-Zarlink furnished goods or services may infringe patents or other intellectual property rights owned by Zarlink.

This publication is issued to provide information only and (unless agreed by Zarlink in writing) may not be used, applied or reproduced for any purpose nor form part of any order or contract nor to be regarded as a representation relating to the products or services concerned. The products, their specifications, services and other information appearing in this publication are subject to change by Zarlink without notice. No warranty or guarantee express or implied is made regarding the capability, performance or suitability of any product or service. Information concerning possible methods of use is provided as a guide only and does not constitute any guarantee that such methods of use will be satisfactory in a specific piece of equipment. It is the user's responsibility to fully determine the performance and suitability of any equipment using such information and to ensure that any publication or data used is up to date and has not been superseded. Manufacturing does not necessarily include testing of all functions or parameters. These products are not suitable for use in any medical products whose failure to perform may result in significant injury or death to the user. All products and materials are sold and services provided subject to Zarlink's conditions of sale which are available on request.

Purchase of Zarlink's I<sup>2</sup>C components conveys a licence under the Philips I<sup>2</sup>C Patent rights to use these components in and I<sup>2</sup>C System, provided that the system conforms to the I<sup>2</sup>C Standard Specification as defined by Philips.

Zarlink, ZL and the Zarlink Semiconductor logo are trademarks of Zarlink Semiconductor Inc.

Copyright Zarlink Semiconductor Inc. All Rights Reserved.

**TECHNICAL DOCUMENTATION - NOT FOR RESALE**

---