



2SC5353

NPN SILICON TRANSISTOR

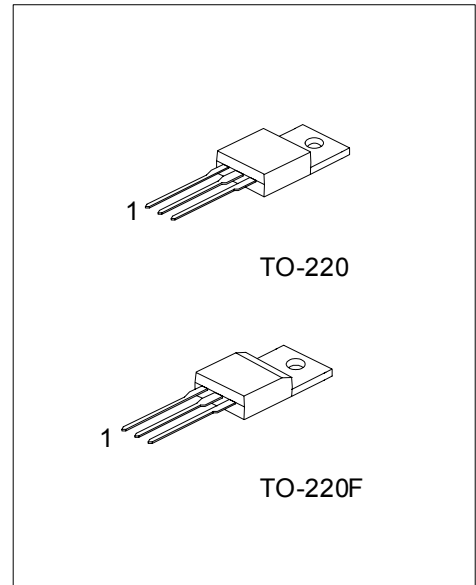
HIGH VOLTAGE NPN TRANSISTOR

DESCRIPTION

Switching Regulator and High Voltage Switching Applications
High-Speed DC-DC Converter Applications

FEATURES

- * Excellent switching times: $t_R = 0.7\mu s_{(MAX)}$, $t_F = 0.5\mu s_{(MAX)}$
- * High collectors breakdown voltage: $V_{CEO} = 800 V$



*Pb-free plating product number: 2SC5353L

ORDERING INFORMATION

| Order Number | | Package | Pin Assignment | | | Packing |
|---------------|-------------------|---------|----------------|---|---|---------|
| Normal | Lead Free Plating | | 1 | 2 | 3 | |
| 2SC5353-TA3-T | 2SC5353L-TA3-T | TO-220 | B | C | E | Tube |
| 2SC5353-TF3-T | 2SC5353L-TF3-T | TO-220F | B | C | E | Tube |

| | |
|---|---|
| <p>2SC5353L-TA3-T</p> <p>(1) Packing Type</p> <p>(2) Package Type</p> <p>(3) Lead Plating</p> | <p>(1) T: Tube</p> <p>(2) TA3: TO-220, TF3: TO-220F</p> <p>(3) L: Lead Free Plating, Blank: Pb/Sn</p> |
|---|---|

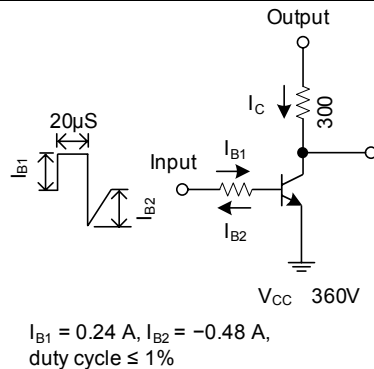
■ ABSOLUTE MAXIMUM RATING (T_c = 25)

| PARAMETER | SYMBOL | RATINGS | UNIT |
|-----------------------------|---------------------|-----------------|------|
| Collector-Base Voltage | V _{CBO} | 900 | V |
| Collector-Emitter Voltage | V _{CEO} | 800 | V |
| Emitter-Base Voltage | V _{EBO} | 7 | V |
| Collector Current | DC | I _C | 3 |
| | Pulse | I _{CP} | 5 |
| Base Current | I _B | 1 | A |
| Collector Power Dissipation | T _a = 25 | P _D | 2.0 |
| | T _C = 25 | | 25 |
| Junction Temperature | T _J | +150 | |
| Storage Temperature | T _{STG} | -40 ~ +150 | |

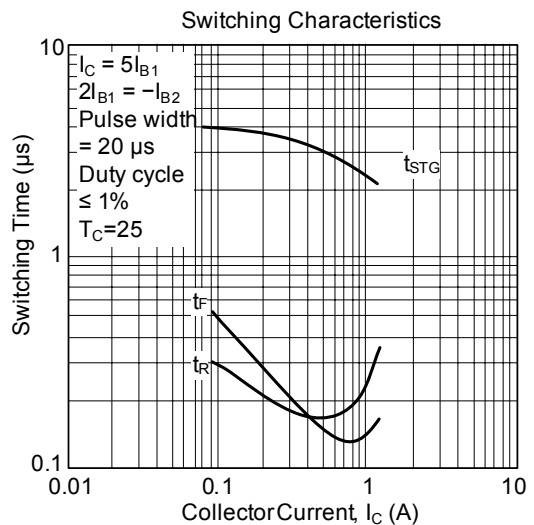
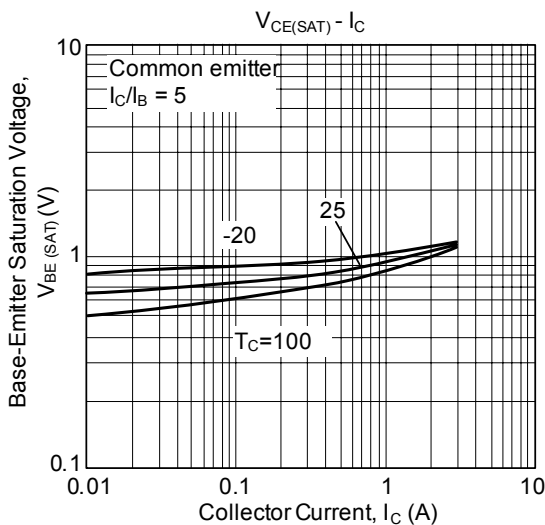
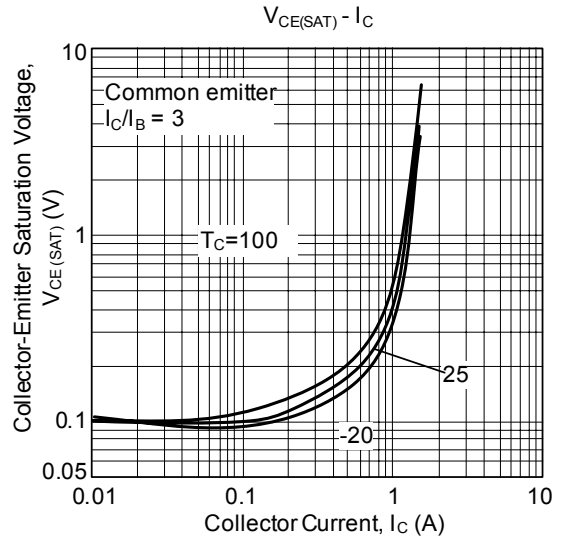
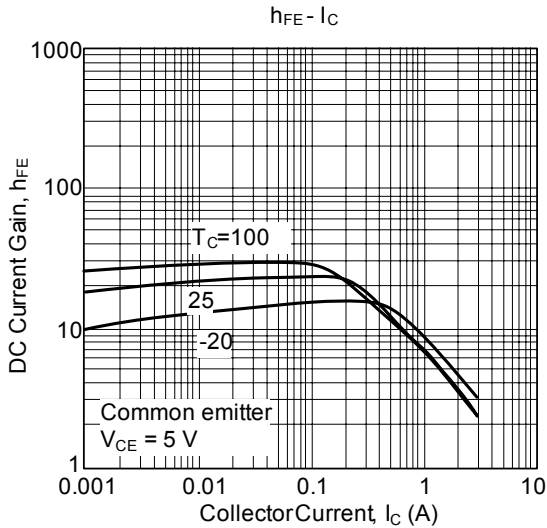
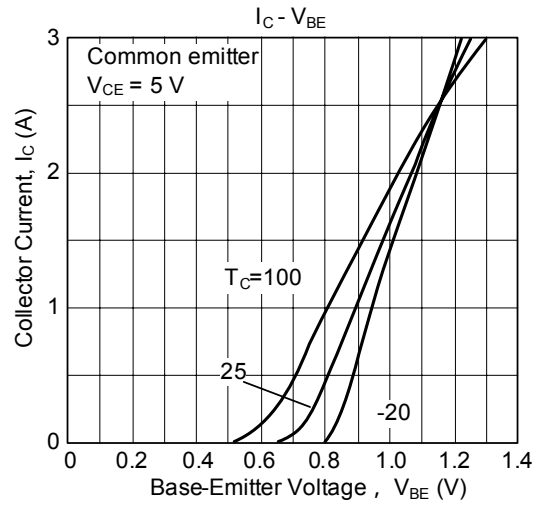
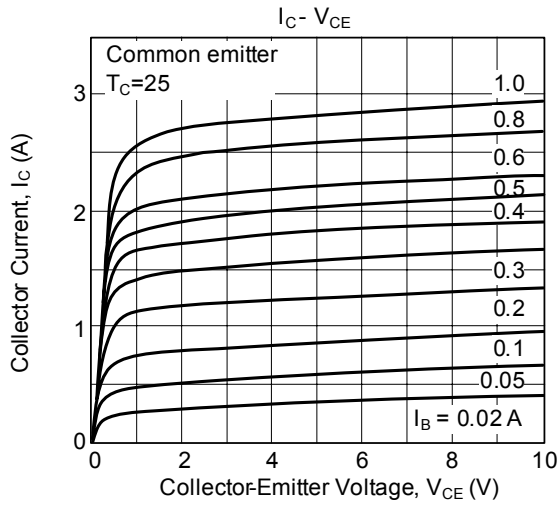
Note Absolute maximum ratings are those values beyond which the device could be permanently damaged. Absolute maximum ratings are stress ratings only and functional device operation is not implied.

■ ELECTRICAL CHARACTERISTICS (T_c = 25)

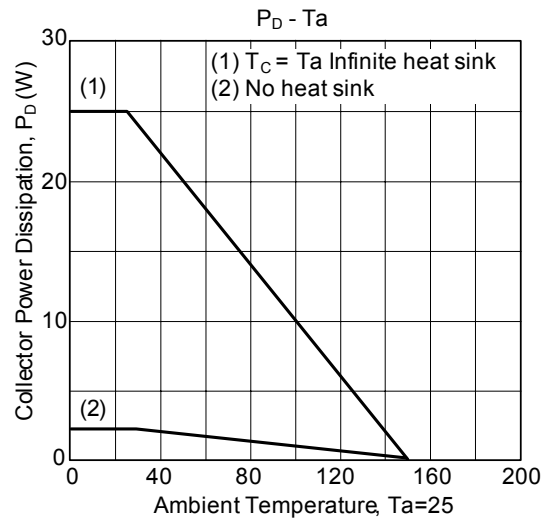
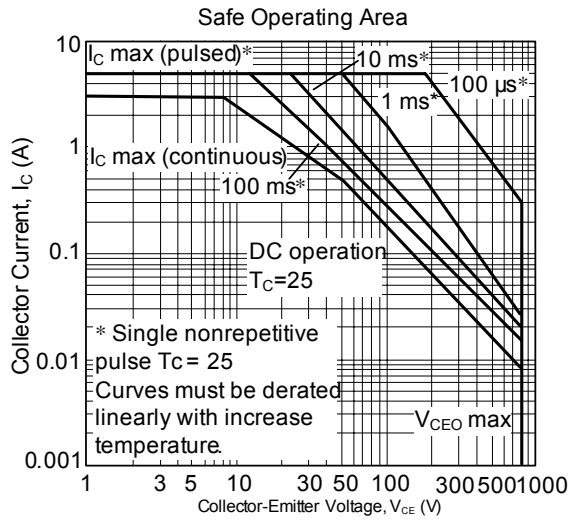
| PARAMETER | SYMBOL | TEST CONDITIONS | MIN | TYP | MAX | UNIT |
|--------------------------------------|----------------------|---|-----|-----|-----|------|
| Collector-Base Breakdown Voltage | BV _{CBO} | I _C =1 mA, I _E = 0 | 900 | | | V |
| Collector-Emitter Breakdown Voltage | BV _{CEO} | I _C =10 mA, I _B = 0 | 800 | | | V |
| Collector Cut-off Current | I _{CBO} | V _{CB} =720V, I _E = 0 | | | 100 | μA |
| Emitter Cut-off Current | I _{EBO} | V _{EB} =7V, I _C = 0 | | | 10 | μA |
| DC Current Gain | h _{FE(1)} | V _{CE} =5 V, I _C =1 mA | 10 | | | |
| | h _{FE(2)} | V _{CE} =5 V, I _C =0.15 A | 15 | | | |
| Collector-Emitter Saturation Voltage | V _{CE(SAT)} | I _C =1.2 A, I _B =0.45 A | | | 1.0 | V |
| Base-Emitter Saturation Voltage | V _{BE(SAT)} | I _C =1.2 A, I _B =0.24 A | | | 1.3 | V |
| Switching time | Rise time | t _r | | | 0.7 | μS |
| | Storage time | t _{STG} | | | 4.0 | |
| | Fall time | t _f | | | 0.5 | |



■ TYPICAL CHARACTERISTICS



■ TYPICAL CHARACTERISTICS(Cont.)



UTC assumes no responsibility for equipment failures that result from using products at values that exceed, even momentarily, rated values (such as maximum ratings, operating condition ranges, or other parameters) listed in products specifications of any and all UTC products described or contained herein. UTC products are not designed for use in life support appliances, devices or systems where malfunction of these products can be reasonably expected to result in personal injury. Reproduction in whole or in part is prohibited without the prior written consent of the copyright owner. The information presented in this document does not form part of any quotation or contract, is believed to be accurate and reliable and may be changed without notice.