

FEATURES

- Ideal for card edge status indication
- Option for different color LED
- Package allows flush seating on a PC Boards

DESCRIPTION

L72CB/1XXB series are right angle LED lamp that incorporates one tinted 4.8mm diameter high efficiency LED lamp in a black plastic housing.

OPTIONS

Part No. L72CB/	LED Lens Color		Source Color
	Color	Diffusion	
1SDB	Red	Diffused	Standard Red
1IDB	Orange	Diffused	High Efficiency Red
1STB2	Nil	Transparent	Ultra-Bright Red
1YDB	Yellow	Diffused	Yellow
1GDB	Green	Diffused	Green

ABSOLUTE MAXIMUM RATINGS

	1SDB	1IDB	1STB2	1YDB	1GDB
Power Dissipation @ Ta=25°C	40mW	100mW	100mW	60mW	100mW
Forward Current, DC (IF)	15mA	30mA	30mA	20mA	30mA
Reverse Voltage	5V	5V	5V	5V	5V
Operating & Storage Temperature Range	-55 to +100°C				
Lead Temperature (Soldering, 5 sec., 1/16" from body)	260°C				

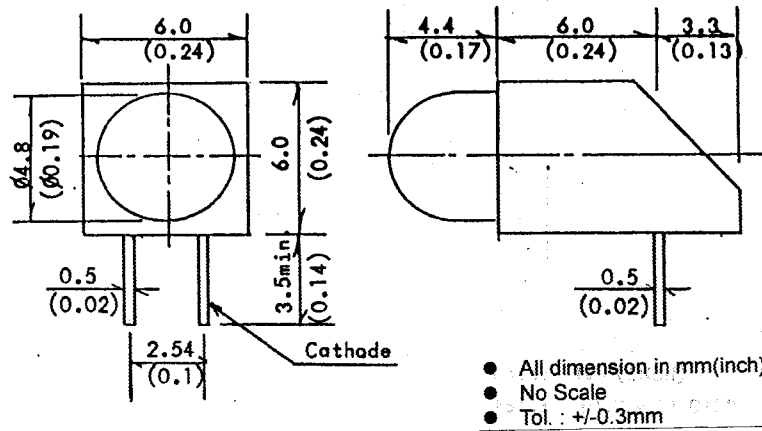
ELECTRO-OPTICAL CHARACTERISTICS (Ta=25°C)

PARAMETER	SYMBOL	1SDB	1IDB	1STB2	1YDB	1GDB	UNIT	CONDITIONS
Forward Voltage	MAX VF	3.0	3.0	3.0	3.0	3.0	V	IF=20mA
Reverse Breakdown Voltage	MIN BVR	5	5	5	5	5	V	IR=100uA
Luminous Intensity	MIN IV	1.5	12	-	12	2.5	mcd	IF=20mA
		-	-	5	-	-	mcd	IF=2mA
Peak Wavelength	TYP λp	700	630	660	585	570	nm	IF=20mA
Spectral Line Half Width	TYP Δλ	100	40	20	35	35	nm	IF=20mA

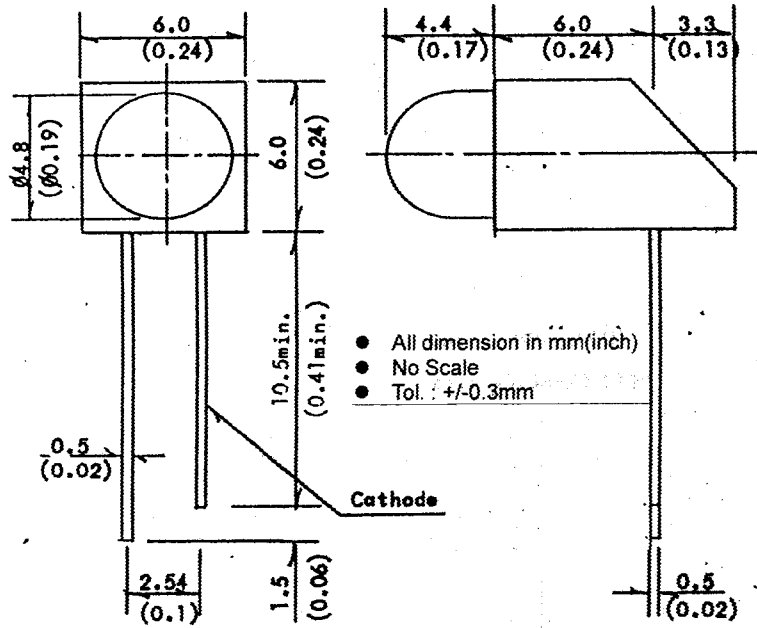


MICRO ELECTRONICS LTD. 美科有限公司
 38, Hung To Road, Microtron Building, Kwun Tong, Kowloon, Hong Kong.
 Kwun Tong P.O. Box 69477 Hong Kong. Fax No. 341 0321 Telex: 43510 Micro Hx. Tel: 343 0181-5

L72CB/1XXB



L72CB/1XXB-L



L72CB/1XXB-2L

