

4-Bit Arithmetic Logic Unit/ Function Generator

The MC10H181 is a high-speed arithmetic logic unit capable of performing 16 logic operations and 16 arithmetic operations on two four-bit words. Full internal carry is incorporated for ripple through operation.

Arithmetic logic operations are selected by applying the appropriate binary word to the select inputs (S0 through S3) as indicated in the tables of arithmetic/logic functions. Group carry propagate (PG) and carry generate (GG) are provided to allow fast operations on very long words using a second order look-ahead. The internal carry is enabled by applying a low level voltage to the mode control input (M).

When used with the MC10H179, full-carry look-ahead, as a second order look-ahead block, the MC10H181 provides high-speed arithmetic operations on very long words.

This 10H part is a functional/pinout duplication of the standard MECL 10K family part with 100% improvement in propagation delay and no increase in power supply current.

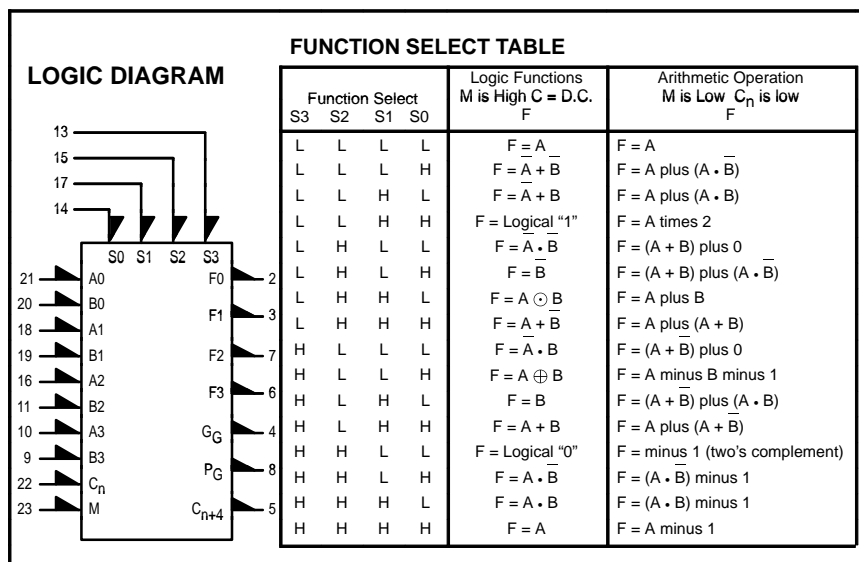
- Improved Noise Margin, 150 mV (Over Operating Voltage and Temperature Range)
- Voltage Compensated
- MECL 10K – Compatible

MAXIMUM RATINGS

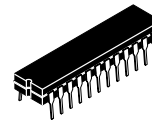
Characteristic	Symbol	Rating	Unit
Power Supply ($V_{CC} = 0$)	V_{EE}	-8.0 to 0	Vdc
Input Voltage ($V_{CC} = 0$)	V_I	0 to V_{EE}	Vdc
Output Current — Continuous	I_{out}	50	mA
— Surge		100	
Operating Temperature Range	T_A	0 to +75	°C
Storage Temperature Range — Plastic	T_{stg}	-55 to +150	°C
— Ceramic		-55 to +165	°C

NOTE:

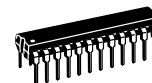
Each MECL 10H series circuit has been designed to meet the dc specifications shown in the test table, after thermal equilibrium has been established. The circuit is in a test socket or mounted on a printed circuit board and transverse air flow greater than 500 lfpm is maintained. Outputs are terminated through a 50-ohm resistor to -2.0 volts.



MC10H181



L SUFFIX
CERAMIC PACKAGE
CASE 758-02

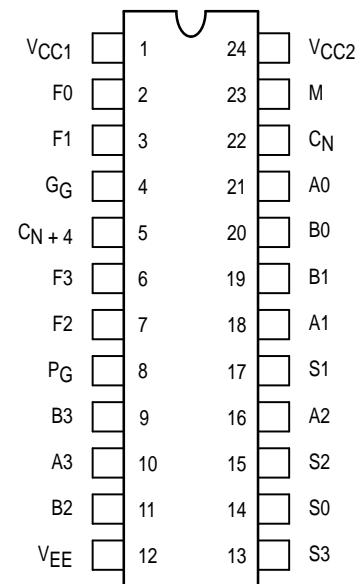


P SUFFIX
PLASTIC PACKAGE
CASE 724-03



FN SUFFIX
PLCC
CASE 776-02

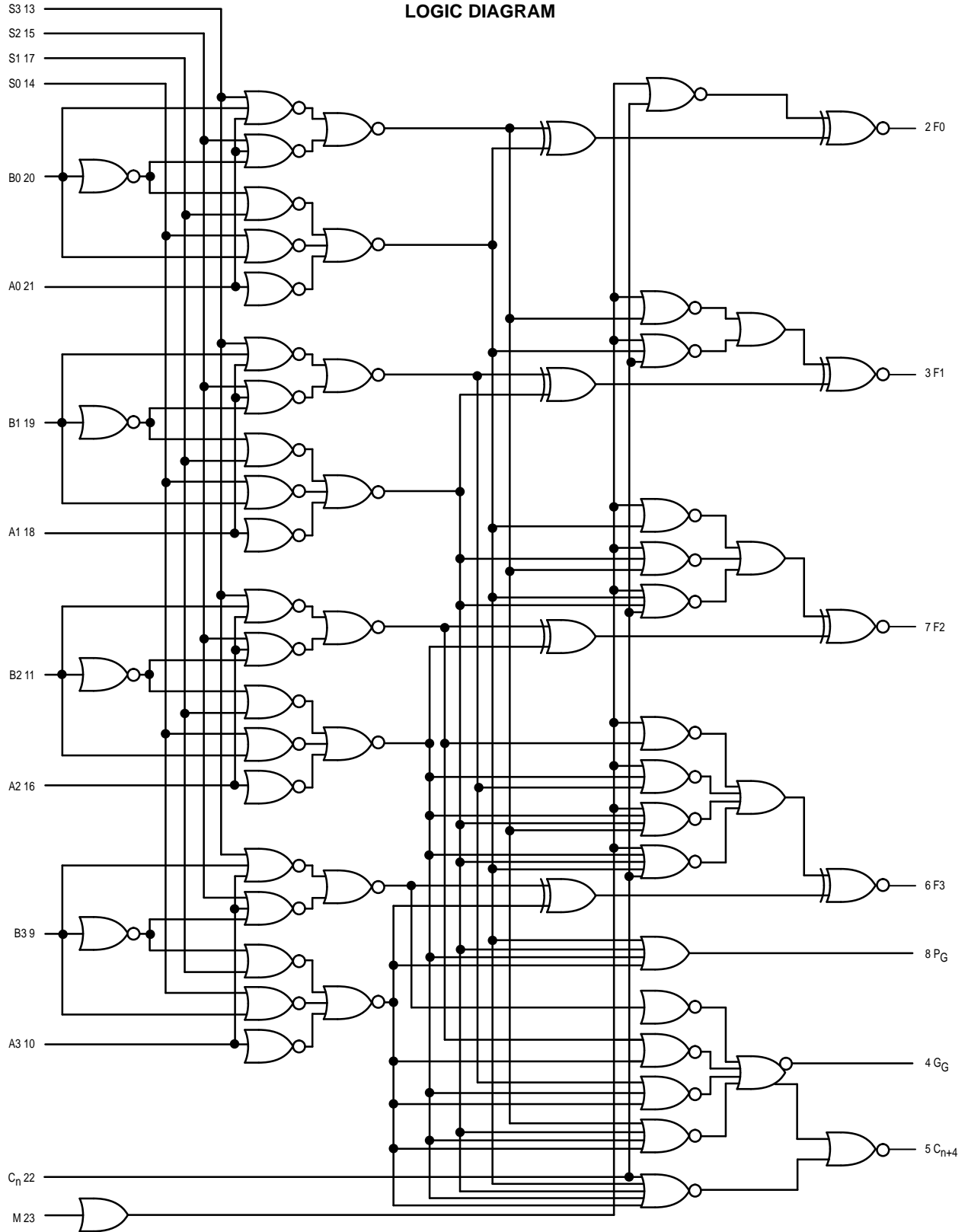
DIP PIN ASSIGNMENT



Pin assignment is for Dual-in-Line Package.
For PLCC pin assignment, see the Pin Conversion
Tables on page 6-11 of the Motorola MECL Data
Book (DL122/D).



LOGIC DIAGRAM



V_{CC1} = Pin 1
 V_{CC2} = Pin 24
 V_{EE} = Pin 12

ELECTRICAL CHARACTERISTICS ($V_{EE} = -5.2\text{ V} \pm 5.0\%$) (See Note)

Characteristic	Symbol	0°		+25°		+75°		Unit
		Min	Max	Min	Max	Min	Max	
Power Supply Current	I_E	—	159	—	145	—	159	mA
Input Current High Pin 22 Pins 14,23 Pins 13,15,17 Pins 10,16,18,21 Pins 9,11,19,20	I_{inH}	—	720 405 515 475 465	—	450 255 320 300 275	—	450 255 320 300 275	μA
Input Current Low Pins 9–11, 13–22	I_{inL}	0.5	—	0.5	—	0.3	—	μA
High Output Voltage	V_{OH}	-1.02	-0.84	-0.98	-0.81	-0.92	-0.735	Vdc
Low Output Voltage	V_{OL}	-1.95	-1.63	-1.95	-1.63	-1.95	-1.60	Vdc
High Input Voltage	V_{IH}	-1.17	-0.84	-1.13	-0.81	-1.07	-0.735	Vdc
Low Input Voltage	V_{IL}	-1.95	-1.48	-1.95	-1.48	-1.95	-1.45	Vdc

NOTE:

Each MECL 10H series circuit has been designed to meet the dc specifications shown in the test table, after thermal equilibrium has been established. The circuit is in a test socket or mounted on a printed circuit board and transverse air flow greater than 500 lfm is maintained. Outputs are terminated through a 50-ohm resistor to -2.0 volts.

AC PARAMETERS

Characteristic	Symbol	Input	Output	Conditions †	AC Switching Characteristics						Unit
					0°C		+25°C		+75°C		
					Min	Max	Min	Max	Min	Max	
Propagation Delay Rise Time, Fall Time	t_{+}, t_{-} t_{+}, t_{-}	C_n C_n	C_{n+4} C_{n+4}	A0,A1,A2,A3 A0,A1,A2,A3	0.7 0.6	2.0 2.0	0.7 0.6	2.0 2.0	0.7 0.7	2.2 2.2	ns ns
Propagation Delay Rise Time, Fall Time	$t_{+}, t_{-},$ t_{-}, t_{-} t_{+}, t_{-}	C_n C_n C_n	F1 F1 F1	A0	1.0 0.7	3.0 2.2	1.0 0.7	3.0 2.2	1.2 0.7	3.3 2.4	ns
Propagation Delay Rise Time, Fall Time	$t_{+}, t_{+},$ t_{-}, t_{-} t_{+}, t_{-}	A1 A1 A1	F1 F1 F1		1.5 0.7	3.7 2.0	1.5 0.7	3.7 2.0	1.6 0.7	4.0 2.2	ns
Propagation Delay Rise Time, Fall Time	t_{+}, t_{-} t_{+}, t_{-}	A1 A1	P_G P_G	S0,S3 S0,S3	1.5 0.9	3.7 2.4	1.5 0.9	3.7 2.4	1.6 0.9	4.0 2.6	ns ns
Propagation Delay Rise Time, Fall Time	t_{+}, t_{-} t_{+}, t_{-}	A1 A1	G_G G_G	A0,A2,A3, C_n A0,A2,A3, C_n	1.5 0.7	3.7 2.2	1.5 0.7	3.7 2.2	1.6 0.7	3.9 2.4	ns ns
Propagation Delay Rise Time, Fall Time	t_{-}, t_{+} t_{+}, t_{-}	A1 A1	C_{n+4} C_{n+4}	A0,A2,A3, C_n A0,A2,A3, C_n	1.5 0.5	3.6 2.0	1.5 0.5	3.6 2.0	1.6 0.5	3.9 2.2	ns ns
Propagation Delay Rise Time, Fall Time	t_{+}, t_{+} t_{+}, t_{-}	B1 B1	F1 F	S3, C_n S3, C_n	2.0 0.7	4.5 2.3	2.0 0.7	4.5 2.3	2.1 0.7	4.8 2.5	ns ns
Propagation Delay Rise Time, Fall Time	t_{+}, t_{-} t_{+}, t_{-}	B1 B1	P_G P_G	S0,A1 S0,A1	1.5 0.7	3.8 2.2	1.5 0.7	3.8 2.2	1.6 0.7	4.0 2.4	ns ns
Propagation Delay Rise Time, Fall Time	t_{+}, t_{-} t_{+}, t_{-}	B1 B1	G_G G_G	S3, C_n S3, C_n	1.5 0.7	3.7 2.2	1.5 0.7	3.7 2.2	1.6 0.7	4.0 2.4	ns ns
Propagation Delay Rise Time, Fall Time	t_{-}, t_{+} t_{+}, t_{-}	B1 B1	C_{n+4} C_{n+4}	S3, C_n S3, C_n	2.0 0.5	4.0 2.0	2.0 0.5	4.0 2.2	2.1 0.5	4.3 2.2	ns ns
Propagation Delay Rise Time, Fall Time	t_{+}, t_{-} t_{+}, t_{-}	M M	F1 F1	— —	1.5 0.8	4.2 2.3	1.5 0.8	4.2 2.3	1.6 0.8	4.5 2.5	ns ns
Propagation Delay Rise Time, Fall Time	t_{-}, t_{+} t_{+}, t_{-}	S1 S1	F1 F1	A1,B1 A1,B1	1.5 0.7	4.5 2.0	1.5 0.7	4.5 2.0	1.6 0.7	4.8 2.2	ns ns
Propagation Delay Rise Time, Fall Time	t_{-}, t_{-} t_{+}, t_{-}	S1 S1	P_G P_G	A3,B3 A3,B3	1.5 0.7	4.0 2.0	1.5 0.7	4.0 2.2	1.6 0.7	4.3 2.4	ns ns
Propagation Delay Rise Time, Fall Time	t_{-}, t_{+} t_{+}, t_{-}	S1 S1	C_{n+4} C_{n+4}	A3,B3 A3,B3	1.5 0.7	4.1 2.2	1.5 0.7	4.1 2.2	1.6 0.7	4.4 2.4	ns ns
Propagation Delay Rise Time, Fall Time	t_{-}, t_{+} t_{+}, t_{-}	S1 S1	G_G G_G	A3,B3 A3,B3	1.3 0.5	4.5 3.2	1.3 0.5	4.5 3.2	1.4 0.5	4.8 3.4	ns ns

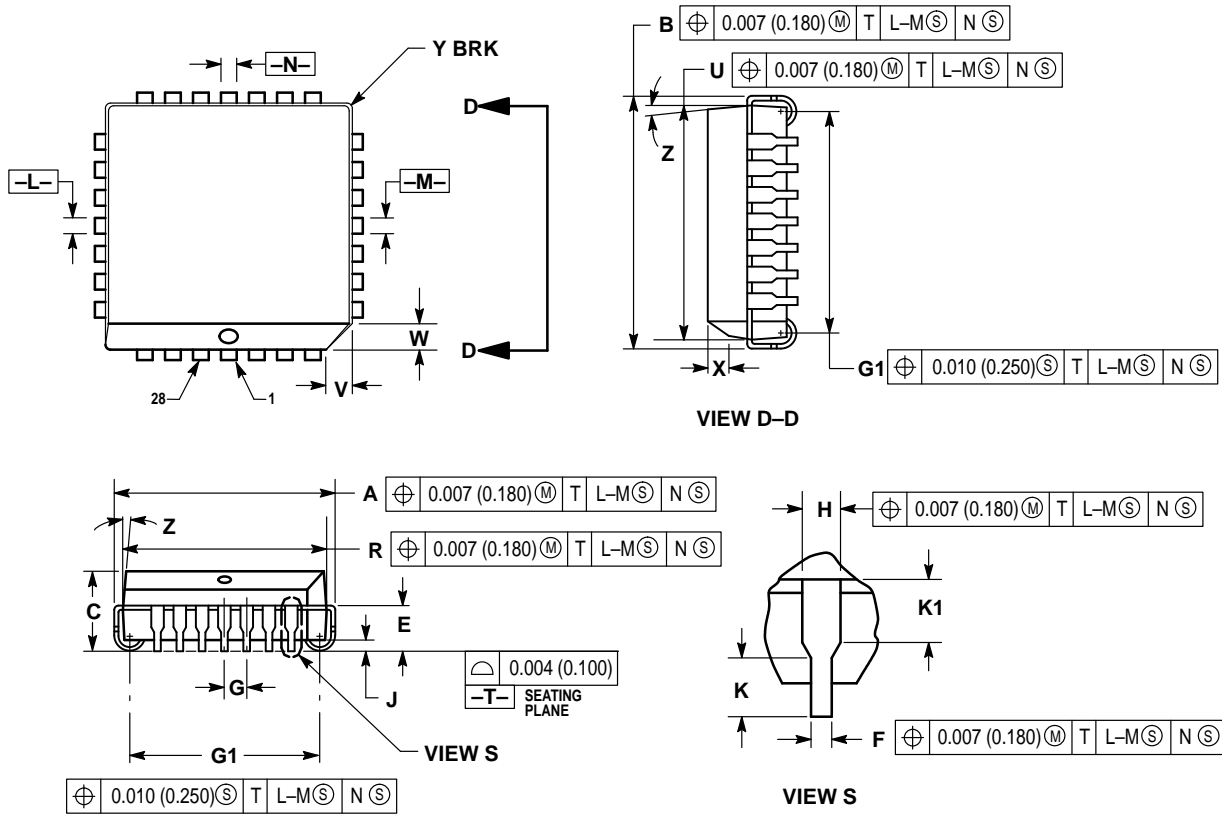
† Logic high level (+1.11 Vdc) applied to pins listed. All other

input pins are left floating or tied to +0.31 Vdc.

$V_{CC1} = V_{CC2} = +2.0\text{ Vdc}$, $V_{EE} = -3.2\text{ Vdc}$

OUTLINE DIMENSIONS

FN SUFFIX
 PLASTIC PLCC PACKAGE
 CASE 776-02
 ISSUE D



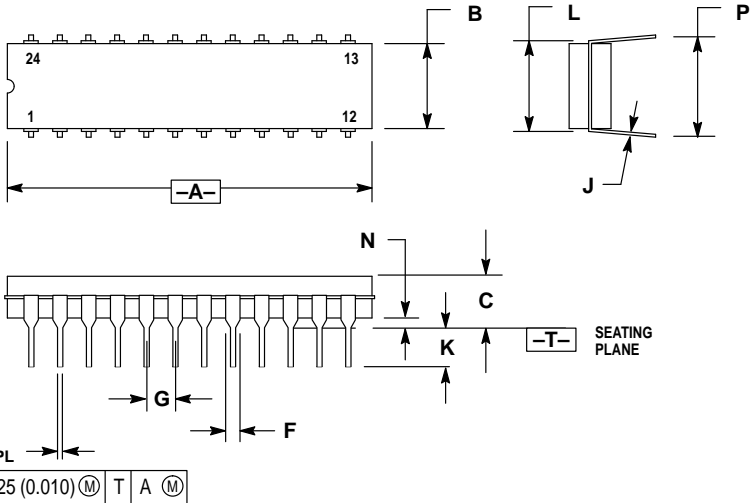
NOTES:

- DATUMS -L-, -M-, AND -N- DETERMINED WHERE TOP OF LEAD SHOULDER EXITS PLASTIC BODY AT MOLD PARTING LINE.
- DIMENSION G1, TRUE POSITION TO BE MEASURED AT DATUM -T-, SEATING PLANE.
- DIMENSIONS R AND U DO NOT INCLUDE MOLD FLASH. ALLOWABLE MOLD FLASH IS 0.010 (0.250) PER SIDE.
- DIMENSIONING AND TOLERANCING PER ANSI Y14.5M, 1982.
- CONTROLLING DIMENSION: INCH.
- THE PACKAGE TOP MAY BE SMALLER THAN THE PACKAGE BOTTOM BY UP TO 0.012 (0.300). DIMENSIONS R AND U ARE DETERMINED AT THE OUTERMOST EXTREMES OF THE PLASTIC BODY EXCLUSIVE OF MOLD FLASH, TIE BAR BURRS, GATE BURRS AND INTERLEAD FLASH, BUT INCLUDING ANY MISMATCH BETWEEN THE TOP AND BOTTOM OF THE PLASTIC BODY.
- DIMENSION H DOES NOT INCLUDE DAMBAR PROTRUSION OR INTRUSION. THE DAMBAR PROTRUSION(S) SHALL NOT CAUSE THE H DIMENSION TO BE GREATER THAN 0.037 (0.940). THE DAMBAR INTRUSION(S) SHALL NOT CAUSE THE H DIMENSION TO BE SMALLER THAN 0.025 (0.635).

DIM	INCHES		MILLIMETERS	
	MIN	MAX	MIN	MAX
A	0.485	0.495	12.32	12.57
B	0.485	0.495	12.32	12.57
C	0.165	0.180	4.20	4.57
E	0.090	0.110	2.29	2.79
F	0.013	0.019	0.33	0.48
G	0.050 BSC		1.27 BSC	
H	0.026	0.032	0.66	0.81
J	0.020	—	0.51	—
K	0.025	—	0.64	—
R	0.450	0.456	11.43	11.58
U	0.450	0.456	11.43	11.58
V	0.042	0.048	1.07	1.21
W	0.042	0.048	1.07	1.21
X	0.042	0.056	1.07	1.42
Y	—	0.020	—	0.50
Z	2°		10°	
G1	0.410	0.430	10.42	10.92
K1	0.040	—	1.02	—

OUTLINE DIMENSIONS

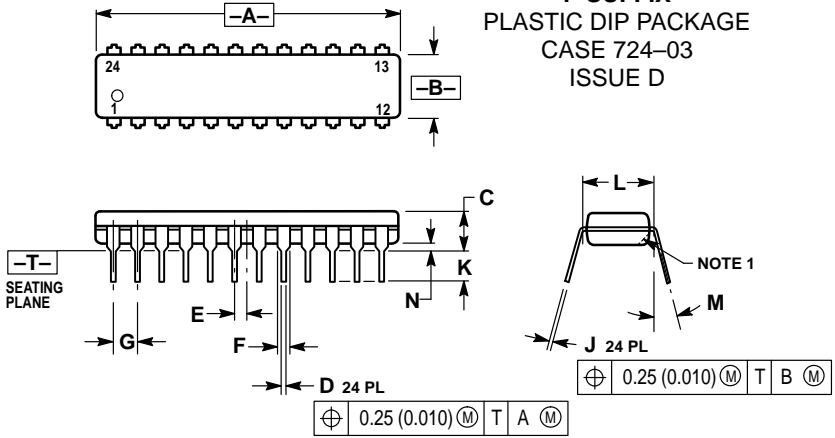
L SUFFIX
CERAMIC DIP PACKAGE
CASE 758-02
ISSUE A



- NOTES:
 1. DIMENSIONING AND TOLERANCING PER ANSI Y14.5M, 1982.
 2. CONTROLLING DIMENSION: INCH.
 3. DIMENSION L TO CENTER OF LEADS WHEN FORMED PARALLEL.

DIM	INCHES		MILLIMETERS	
	MIN	MAX	MIN	MAX
A	1.240	1.285	31.50	32.64
B	0.285	0.305	7.24	7.75
C	0.160	0.200	4.07	5.08
D	0.015	0.021	0.38	0.53
F	0.045	0.062	1.14	1.57
G	0.100 BSC		2.54 BSC	
J	0.008	0.013	0.20	0.33
K	0.100	0.165	2.54	4.19
L	0.300	0.310	7.62	7.87
N	0.020	0.050	0.51	1.27
P	0.360	0.400	9.14	10.16

P SUFFIX
PLASTIC DIP PACKAGE
CASE 724-03
ISSUE D



- NOTES:
 1. CHAMFERED CONTOUR OPTIONAL.
 2. DIMENSION L TO CENTER OF LEADS WHEN FORMED PARALLEL.
 3. DIMENSIONING AND TOLERANCING PER ANSI Y14.5M, 1982.
 4. CONTROLLING DIMENSION: INCH.

DIM	INCHES		MILLIMETERS	
	MIN	MAX	MIN	MAX
A	1.230	1.265	31.25	32.13
B	0.250	0.270	6.35	6.85
C	0.145	0.175	3.69	4.44
D	0.015	0.020	0.38	0.51
E	0.050 BSC		1.27 BSC	
F	0.040	0.060	1.02	1.52
G	0.100 BSC		2.54 BSC	
J	0.007	0.012	0.18	0.30
K	0.110	0.140	2.80	3.55
L	0.300 BSC		7.62 BSC	
M	0°	15°	0°	15°
N	0.020	0.040	0.51	1.01

Motorola reserves the right to make changes without further notice to any products herein. Motorola makes no warranty, representation or guarantee regarding the suitability of its products for any particular purpose, nor does Motorola assume any liability arising out of the application or use of any product or circuit, and specifically disclaims any and all liability, including without limitation consequential or incidental damages. "Typical" parameters which may be provided in Motorola data sheets and/or specifications can and do vary in different applications and actual performance may vary over time. All operating parameters, including "Typicals" must be validated for each customer application by customer's technical experts. Motorola does not convey any license under its patent rights nor the rights of others. Motorola products are not designed, intended, or authorized for use as components in systems intended for surgical implant into the body, or other applications intended to support or sustain life, or for any other application in which the failure of the Motorola product could create a situation where personal injury or death may occur. Should Buyer purchase or use Motorola products for any such unintended or unauthorized application, Buyer shall indemnify and hold Motorola and its officers, employees, subsidiaries, affiliates, and distributors harmless against all claims, costs, damages, and expenses, and reasonable attorney fees arising out of, directly or indirectly, any claim of personal injury or death associated with such unintended or unauthorized use, even if such claim alleges that Motorola was negligent regarding the design or manufacture of the part. Motorola and are registered trademarks of Motorola, Inc. Motorola, Inc. is an Equal Opportunity/Affirmative Action Employer.

How to reach us:
USA/EUROPE/Locations Not Listed: Motorola Literature Distribution;
 P.O. Box 20912; Phoenix, Arizona 85036. 1-800-441-2447 or 602-303-5454

JAPAN: Nippon Motorola Ltd.; Tatsumi-SPD-JLDC, 6F Seibu-Butsuryu-Center,
 3-14-2 Tatsumi Koto-Ku, Tokyo 135, Japan. 03-81-3521-8315

MFAX: RMFAX0@email.sps.mot.com – TOUCHTONE 602-244-6609
INTERNET: http://Design-NET.com

ASIA/PACIFIC: Motorola Semiconductors H.K. Ltd.; 8B Tai Ping Industrial Park,
 51 Ting Kok Road, Tai Po, N.T., Hong Kong. 852-26629298

