

# NCV7001

## Quad Variable Reluctance Sensor Interface IC

The NCV7001 is a four-channel variable reluctance sensor interface IC. Microprocessor control functions include two polarity 5.0 V programmable resets, two programmable watchdog inputs, and an enable function (OLE). Two watchdog inputs allow control from two independent microprocessors.

Open sensor detection capability is provided. During test mode (NTEST = Low), a high on the OLE pin should provide a high on the output. A low under these conditions indicates an open load.

This part has been designed to operate in an automotive environment.

### Features

- Four Channel Capability
- Differential Inputs
- Open Sensor Detect
- 5.0 V Supply Operation with RESET and Watchdog Features
- On-Chip Input Voltage Clamping
- NCV Prefix for Automotive and Other Applications Requiring Site and Change Control

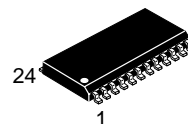
### Typical Applications

- Antilock Braking Systems (ABS)
- Traction Control Systems (TCS)
- Vehicle Dynamics Control (VDC)



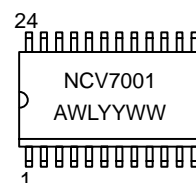
**ON Semiconductor®**

<http://onsemi.com>



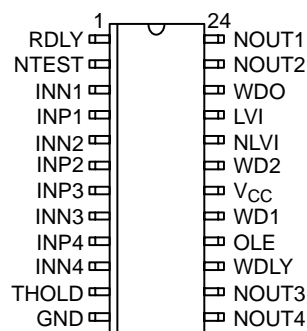
SO-24L  
DW SUFFIX  
CASE 751E

### MARKING DIAGRAM



A = Assembly Location  
WL, L = Wafer Lot  
YY, Y = Year  
WW, W = Work Week

### PIN CONNECTIONS



### ORDERING INFORMATION

Device	Package	Shipping
NCV7001DW	SO-24L	30 Units/Rail
NCV7001DWR2	SO-24L	1000 Tape & Reel

# NCV7001

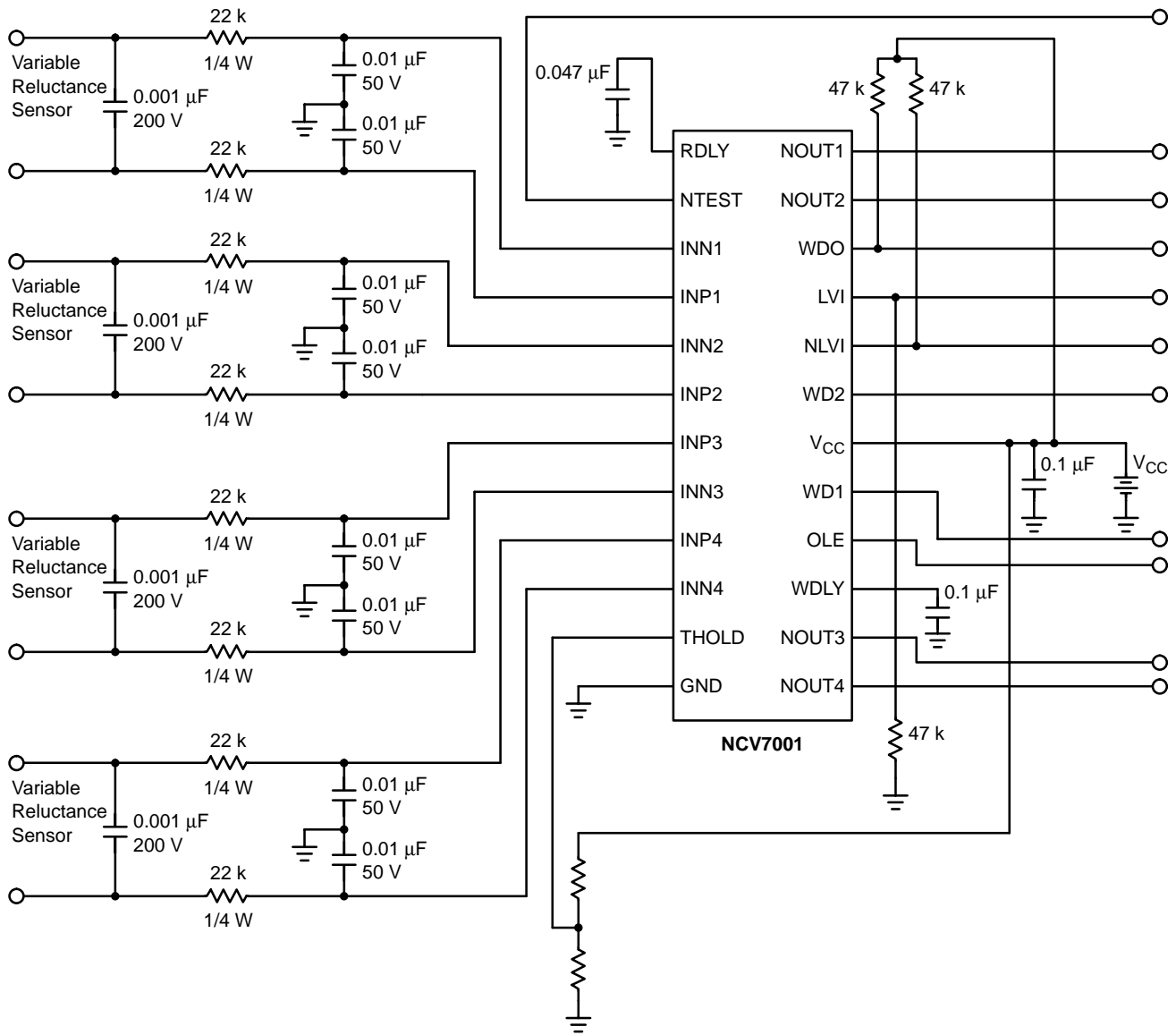


Figure 1. Application Diagram

## MAXIMUM RATINGS\*

Rating	Value	Unit
DC Supply Voltage ( $V_{CC}$ )	-0.3 to 7.0	V
Input Clamp Current	-10, 10	mA
ESD Capability (Human Body Model)	2.0	kV
Storage Temperature	-55 to 150	°C
Operating Junction Temperature	-40 to 150	°C
Package Thermal Resistance: Junction-to-Case, $R_{\theta JC}$ Junction-to-Ambient, $R_{\theta JA}$	16 80	°C/W °C/W
Lead Temperature Soldering:	Reflow: (SMD styles only) (Notes 1, 2)	240 peak

\*The maximum package power dissipation must be observed.

- 60 second maximum above 183°C.
- 5°C/+0°C allowable conditions.

# NCV7001

## ELECTRICAL CHARACTERISTICS (4.5 V ≤ V<sub>CC</sub> ≤ 5.5 V, -40°C ≤ T<sub>J</sub> ≤ 125°C; unless otherwise noted.)

Characteristic	Test Conditions	Min	Typ	Max	Unit
<b>General Characteristics</b>					
Quiescent Current	-	-	-	24	mA

### Input

Positive Input Threshold	R <sub>series</sub> = 22 k between INPX & INNX Thold Pin = 0 V	30	45	60	mV
Negative Input Threshold	R <sub>series</sub> = 22 k between INPX & INNX Thold Pin = 0 V	-60	-45	-30	mV
Positive Input Threshold	R <sub>series</sub> = 22 k between INPX & INNX Thold Pin = 2.0 V	84	126	168	mV
Negative Input Threshold	R <sub>series</sub> = 22 k between INPX & INNX Thold Pin = 2.0 V	-168	-126	-84	mV
Positive Input Threshold	R <sub>series</sub> = 22 k between INPX & INNX ±90 mV at V <sub>CC</sub> = V <sub>THOLD</sub> = 4.5 V	110	140	200	mV
Negative Input Threshold	R <sub>series</sub> = 22 k between INPX & INNX ±90 mV at V <sub>CC</sub> = V <sub>THOLD</sub> = 4.5 V	-200	-140	-110	mV
Input Resistance	-	225	400	800	kΩ
Input Bias/Single Ended	Thold = 0 V	0.46 V <sub>CC</sub>	0.5 V <sub>CC</sub>	0.54 V <sub>CC</sub>	V
Input Clamp Current	For Correct Reset & Watchdog During Power Up	-6.0	-	6.0	mA
Input Clamp Voltage	(-10 mA) (+10 mA)	-0.5 V <sub>CC</sub> - 0.6	0 V <sub>CC</sub>	0.5 V <sub>CC</sub> + 0.6	V V
Open Sensor Threshold	22 k in Series with INNX and INPX	12	-	120	kΩ

### Output (NOUTX)

Output Low Voltage	I <sub>OUT</sub> = 1.0 mA	-	0.2	0.4	V
Output High Voltage	I <sub>OUT</sub> = -100 μA	V <sub>CC</sub> - 0.7	-	-	V
Output During Test / Normal Sensor (V <sub>CC</sub> - V <sub>OUT</sub> )	OLE = 1.0, I <sub>OUT</sub> = -100 μA	-	-	0.7	V
Output During Test / Open Sensor (V <sub>CC</sub> - V <sub>OUT</sub> )	OLE = 1.0, I <sub>OUT</sub> = -1.0 mA	-	-	0.4	V
Output (V <sub>CC</sub> - V <sub>OUT</sub> )	OLE (= Low), I <sub>OUT</sub> = -100 μA,	-	-	0.7	V
Output (V <sub>CC</sub> - V <sub>OUT</sub> )	OLE (= 1.0)/Normal Sensor, NO Signal from Sensor, I <sub>OUT</sub> = -100 μA	-	-	0.4	V

### Logic

Watchdog Output Low Voltage	I <sub>WDO</sub> = 1.0 mA	-	0.2	0.4	V
Watchdog Output High Leakage	V <sub>WDO</sub> = V <sub>CC</sub>	-	-	10	μA
Watchdog Input Voltage High	-	-	1.5	2.0	V
Watchdog Input Voltage Low	-	0.8	1.4	-	V
Watchdog Input Pullup Current	WD1 = WD2 = 2.0 V	-30	-	-450	μA
Watchdog Input Pullup Current	WD1 = WD2 = 0.8 V	-50	-	-600	μA
Thold Pin Input Current	0.3 V < V <sub>THOLD</sub> < V <sub>CC</sub>	-	5.0	40	μA
Test Input Low Threshold	-	0.3 V <sub>CC</sub>	-	-	V
Test Input High Threshold	-	-	-	0.7 V <sub>CC</sub>	V
Test Input Current	V <sub>IN</sub> = 0.7 V <sub>CC</sub> , TEST = 1	-25	-	220	μA
OLE Input Low Threshold	-	0.8	1.4	-	V
OLE Input High Threshold	-	-	1.5	2.0	V
OLE Input Current	OLE = 1.0, V <sub>IN</sub> = 2.0 V	-30	-	-450	μA
OLE Input Current	OLE = Low, V <sub>IN</sub> = 0.8 V	-50	-	-600	μA

# NCV7001

## ELECTRICAL CHARACTERISTICS (continued) ( $4.5\text{ V} \leq V_{CC} \leq 5.5\text{ V}$ , $-40^{\circ}\text{C} \leq T_J \leq 125^{\circ}\text{C}$ ; unless otherwise noted.)

Characteristic	Test Conditions	Min	Typ	Max	Unit
<b>Low Voltage Reset</b>					
Timeout Delay	$V_{CC}$ – Increasing 0 to 5.0 V	30	50	70	ms
Reset Delay	$V_{CC}$ – Decreasing 5.0 to 4.25 V	–	–	1.0	ms
NLVI Rise and Fall Time	10 k Pullup & $CL = 30\text{ pF}$	–	–	50	$\mu\text{s}$
LVI Rise and Fall Time	57 k Pulldown & $CL = 30\text{ pF}$	–	–	50	$\mu\text{s}$
Threshold High $V_{CC}$ Going Up	–	–	4.66	4.75	V
Threshold Low $V_{CC}$ Going Low	–	4.5	4.59	–	V
Threshold Hysteresis	LVTH – LVTL	30	70	–	mV
NLVI Output Low	$25^{\circ}\text{C} \leq T \leq 125^{\circ}\text{C}$ , $V_{CC} = 1.0\text{ V}$ , $I_{NLVI} = 1.0\text{ mA}$	–	150	300	mV
	$-40^{\circ}\text{C} \leq T \leq 125^{\circ}\text{C}$ , $V_{CC} = 1.2\text{ V}$ , $I_{NLVI} = 1.0\text{ mA}$	–	150	300	mV
NLVI Output Low	$V_{CC} = 4.5\text{ V}$ @ $-40^{\circ}\text{C}$ , $I_{NLVI} = 2.5\text{ mA}$	–	150	300	mV
NLVI Output Leakage	$V_{NLI} = V_{CC}$	–10	–	10	$\mu\text{A}$
LVI Output High	$V_{CC} = 1.0\text{ V}$ , $I_{LV} = -36\text{ }\mu\text{A}$	0.8	0.9	–	V
LVI Output High	$V_{CC} = 4.5\text{ V}$ , $I_{LV} = -250\text{ }\mu\text{A}$	3.6	4.3	–	V
LVI Output Leakage	$4.75 < V_{CC} \leq 5.25\text{ V}$ , $V_{LVC} = 0\text{ V}$	–7.5	–	7.5	$\mu\text{A}$
<b>Timing Specs</b>					
Watchdog Short Time Detect	(Watchdog Running at 300 Hz)	4.56	6.075	7.59	ms
Watchdog Long Time Detect	(Watchdog Running at 33 Hz)	13.7	18.25	22.8	ms
Watchdog Skew Time Detect	(Difference between WD1 & WD2)	0.7	–	2.1	ms
Watchdog Timeout Delay Time	–	30	50	70	ms
Output Rise Time	$CL = 30\text{ pF}$	–	0.5	2.0	$\mu\text{s}$
Output Fall Time	$CL = 30\text{ pF}$	–	0.05	2.0	$\mu\text{s}$
Delay Input to Output	–	–	1.0	20	$\mu\text{s}$
OLE Delay to $N_{OUT}$	–	–	1.0	20	$\mu\text{s}$

# NCV7001

## PIN DESCRIPTION

Pin No.	Symbol	Description
1	RDLY	Determines the low voltage reset delay and watchdog enable and disable delay.
2	NTEST	Low = test, high = normal operation.
3	INN1	Minus input to channel 1 comparator.
4	INP1	Plus input to channel 1 comparator.
5	INN2	Minus input to channel 2 comparator.
6	INP2	Plus input to channel 2 comparator.
7	INP3	Plus input to channel 3 comparator.
8	INN3	Minus input to channel 3 comparator.
9	INP4	Plus input to channel 4 comparator.
10	INN4	Minus input to channel 4 comparator.
11	THOLD	Variable threshold adjustment.
12	GND	Ground.
13	NOUT4	Inverted output of comparator 4.
14	NOUT3	Inverted output of comparator 3.
15	WDLY	Determines watchdog timing.
16	OLE	Disables outputs. High = normal operation. Low = forces all outputs and comparators high.
17	WD1	Watchdog input.
18	V <sub>CC</sub>	5.0 V input to IC.
19	WD2	Watchdog input.
20	NLVI	Reset output (in reset when low).
21	LVI	Reset output (in reset when high).
22	WDO	Watchdog output (low for valid watchdog signal).
23	NOUT2	Inverted output of comparator 2.
24	NOUT1	Inverted output of comparator 1.

# NCV7001

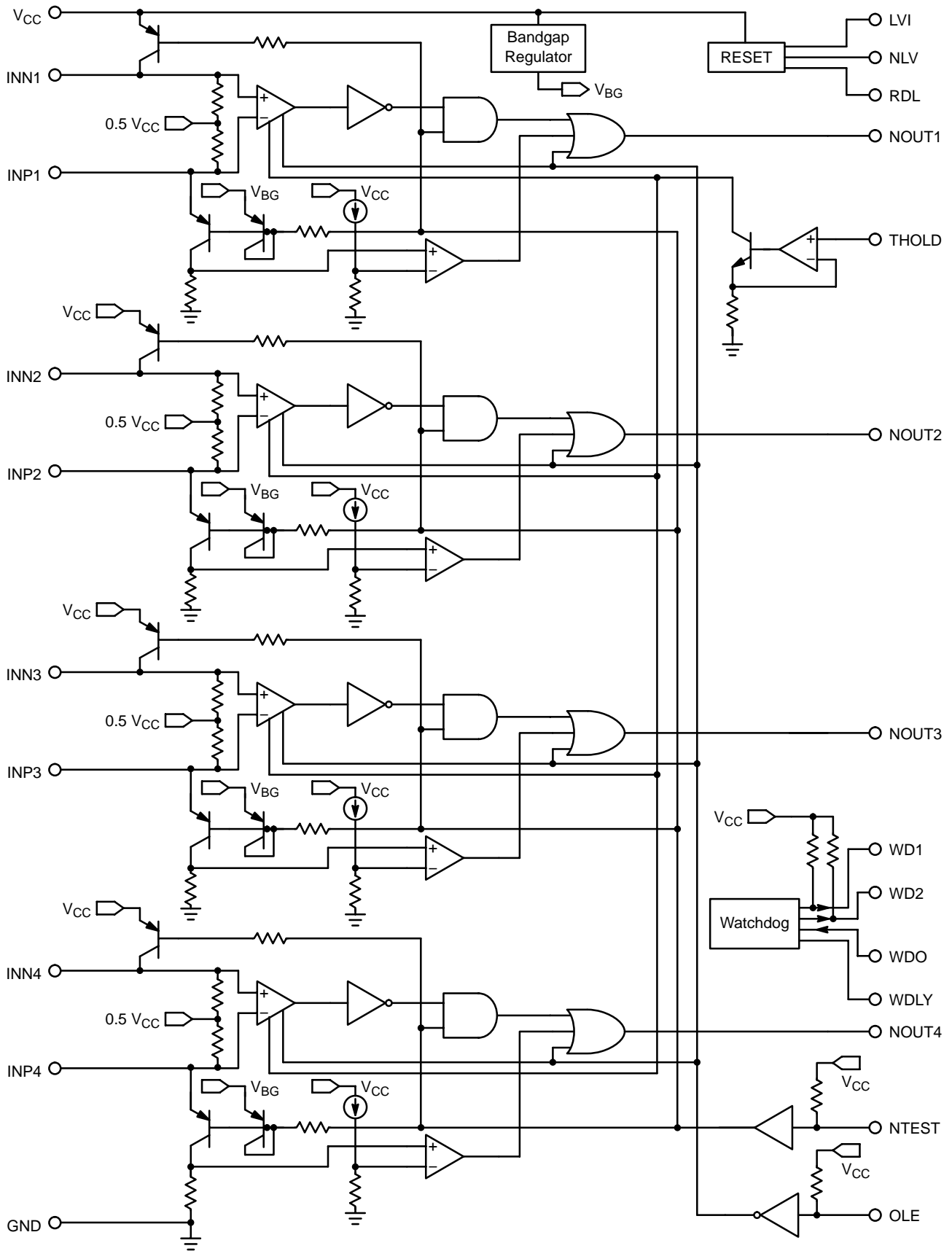
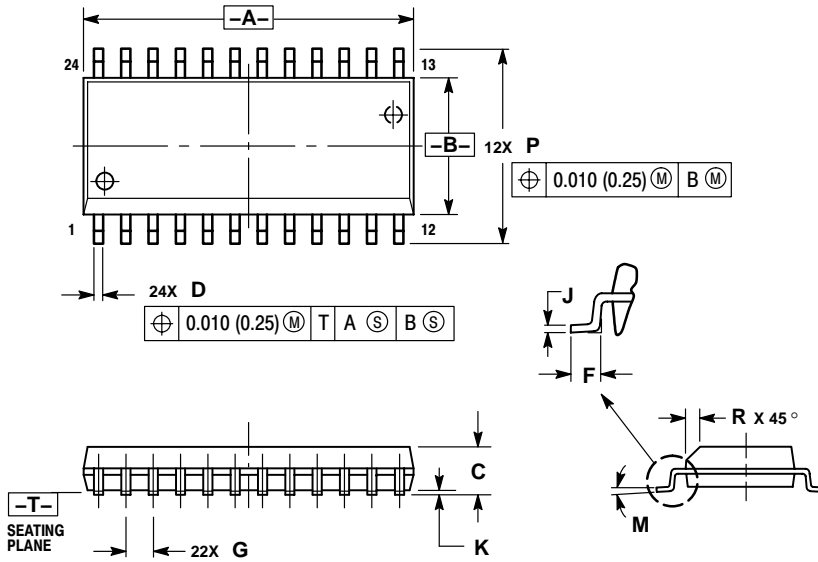


Figure 2. Block Diagram

# NCV7001

## PACKAGE DIMENSIONS

SO-24L  
DW SUFFIX  
CASE 751E-04  
ISSUE E



### NOTES:

1. DIMENSIONING AND TOLERANCING PER ANSI Y14.5M, 1982.
2. CONTROLLING DIMENSION: MILLIMETER.
3. DIMENSIONS A AND B DO NOT INCLUDE MOLD PROTRUSION.
4. MAXIMUM MOLD PROTRUSION 0.15 (0.006) PER SIDE.
5. DIMENSION D DOES NOT INCLUDE DAMBAR PROTRUSION. ALLOWABLE DAMBAR PROTRUSION SHALL BE 0.13 (0.005) TOTAL IN EXCESS OF D DIMENSION AT MAXIMUM MATERIAL CONDITION.

DIM	MILLIMETERS		INCHES	
	MIN	MAX	MIN	MAX
A	15.25	15.54	0.601	0.612
B	7.40	7.60	0.292	0.299
C	2.35	2.65	0.093	0.104
D	0.35	0.49	0.014	0.019
F	0.41	0.90	0.016	0.035
G	1.27 BSC		0.050 BSC	
J	0.23	0.32	0.009	0.013
K	0.13	0.29	0.005	0.011
M	0°	8°	0°	8°
P	10.05	10.55	0.395	0.415
R	0.25	0.75	0.010	0.029

**ON Semiconductor** and  are registered trademarks of Semiconductor Components Industries, LLC (SCILLC). SCILLC reserves the right to make changes without further notice to any products herein. SCILLC makes no warranty, representation or guarantee regarding the suitability of its products for any particular purpose, nor does SCILLC assume any liability arising out of the application or use of any product or circuit, and specifically disclaims any and all liability, including without limitation special, consequential or incidental damages. "Typical" parameters which may be provided in SCILLC data sheets and/or specifications can and do vary in different applications and actual performance may vary over time. All operating parameters, including "Typicals" must be validated for each customer application by customer's technical experts. SCILLC does not convey any license under its patent rights nor the rights of others. SCILLC products are not designed, intended, or authorized for use as components in systems intended for surgical implant into the body, or other applications intended to support or sustain life, or for any other application in which the failure of the SCILLC product could create a situation where personal injury or death may occur. Should Buyer purchase or use SCILLC products for any such unintended or unauthorized application, Buyer shall indemnify and hold SCILLC and its officers, employees, subsidiaries, affiliates, and distributors harmless against all claims, costs, damages, and expenses, and reasonable attorney fees arising out of, directly or indirectly, any claim of personal injury or death associated with such unintended or unauthorized use, even if such claim alleges that SCILLC was negligent regarding the design or manufacture of the part. SCILLC is an Equal Opportunity/Affirmative Action Employer. This literature is subject to all applicable copyright laws and is not for resale in any manner.

## PUBLICATION ORDERING INFORMATION

### LITERATURE FULFILLMENT:

Literature Distribution Center for ON Semiconductor  
P.O. Box 5163, Denver, Colorado 80217 USA

**Phone:** 303-675-2175 or 800-344-3860 Toll Free USA/Canada

**Fax:** 303-675-2176 or 800-344-3867 Toll Free USA/Canada

**Email:** [orderlit@onsemi.com](mailto:orderlit@onsemi.com)

**N. American Technical Support:** 800-282-9855 Toll Free  
USA/Canada

**Japan:** ON Semiconductor, Japan Customer Focus Center  
2-9-1 Kamimeguro, Meguro-ku, Tokyo, Japan 153-0051  
**Phone:** 81-3-5773-3850

**ON Semiconductor Website:** <http://onsemi.com>

**Order Literature:** <http://www.onsemi.com/litorder>

For additional information, please contact your  
local Sales Representative.