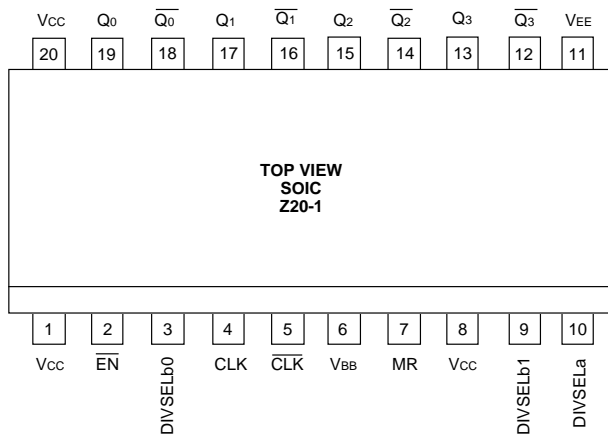


FEATURES

- 3.3V and 5V power supply option
- 50ps output-to-output skew
- 50% duty cycle outputs
- Synchronous enable/disable
- Master Reset for synchronization
- Internal 75KΩ input pull-down resistors
- Available in 20-pin SOIC package

PIN CONFIGURATION/BLOCK DIAGRAM



TRUTH TABLE

CLK	/EN	MR	Function
Z	L	L	Divide
ZZ	H	L	Hold Q0-3
X	X	H	Reset Q0-3

NOTE:

Z = LOW-to-HIGH transition

ZZ = HIGH-to-LOW transition

DIVSELa	Q0, Q1 OUTPUTS
0	Divide by 2
1	Divide by 4

DIVSELb1	DIVSELb0	Q2, Q3 OUTPUTS
0	0	Divide by 4
0	1	Divide by 6
1	0	Divide by 5
1	1	Divide by 5

DESCRIPTION

The SY100S839V is a low skew ÷2/4, ÷4/5/6 clock generation chip designed explicitly for low skew clock generation applications. The internal dividers are synchronous to each other, therefore, the common output edges are all precisely aligned. The device can be driven by either a differential or single-ended ECL/LVECL or, if positive power supplies are used, PECL/LVPECL input signal. In addition, by using the VBB output, a sinusoidal source can be AC-coupled into the device. If a single-ended input is to be used, the VBB output should be connected to the /CLK input and bypassed to ground via a 0.01μF capacitor. The VBB output is designed to act as the switching reference for the input of the S839V under single-ended input conditions. As a result, this pin can only source/sink up to 0.5mA of current.

The common enable (/EN) is synchronous so that the internal dividers will only be enabled/disabled when the internal clock is already in the LOW state. This avoids any chance of generating a runt clock pulse on the internal clock when the device is enabled/disabled as can happen with an asynchronous control. An internal runt pulse could lead to losing synchronization between the internal divider stages. The internal enable flip-flop is clocked on the falling edge of the input clock, therefore, all associated specification limits are referenced to the negative edge of the clock input.

Upon start-up, the internal flip-flops will attain a random state; the master reset (MR) input must be asserted to ensure synchronization. For systems which only use one S839V, the MR pin need not be exercised as the internal divider designs ensures synchronization between the ÷2/4, and the ÷4/5/6 outputs of a single device.

PIN NAMES

Pin	Function
CLK	Differential Clock Inputs
/EN	Synchronous Enable
MR	Master Reset
VBB	Reference Output
Q0, Q1	Differential ÷2/4 Outputs
Q2, Q3	Differential ÷4/5/6 Outputs
DIVSEL	Frequency Select Input

DC ELECTRICAL CHARACTERISTICS⁽¹⁾

VEE = VEE (min) to VEE (max); VCC = GND

Symbol	Parameter	TA = -40°C			TA = 0°C			TA = +25°C			TA = +85°C			Unit
		Min.	Typ.	Max.	Min.	Typ.	Max.	Min.	Typ.	Max.	Min.	Typ.	Max.	
IEE	Power Supply Current	—	50	95	—	50	95	—	50	95	—	54	95	mA
VBB	Output Reference Voltage	-1.38	—	-1.26	-1.38	—	-1.26	-1.38	—	-1.26	-1.38	—	-1.26	V
I _{IH}	Input High Current	—	—	150	—	—	150	—	—	150	—	—	150	μA
V _{OH}	Output HIGH Voltage ⁽²⁾	-1085	-1005	-880	-1025	-955	-880	-1025	-955	-880	-1025	-955	-880	mV
V _{OL}	Output LOW Voltage ⁽²⁾	-1830	-1695	-1555	-1810	-1705	-1620	-1810	-1705	-1620	-1810	-1705	-1620	mV
V _{OHA}	Output HIGH Voltage ⁽³⁾	-1095	—	—	-1035	—	—	-1035	—	—	-1035	—	—	mV
V _{OLA}	Output LOW Voltage ⁽³⁾	—	—	-1555	—	—	-1610	—	—	-1610	—	—	-1610	mV
V _{IH}	Input HIGH Voltage	-1165	—	-880	-1165	—	-880	-1165	—	-880	-1165	—	-880	mV
V _{IL}	Input LOW Voltage	-1810	—	-1475	-1810	—	-1475	-1810	—	-1475	-1810	—	-1475	mV
I _{IL}	Input LOW Current ⁽⁴⁾	0.5	—	—	0.5	—	—	0.5	—	—	0.5	—	—	μA

NOTE:

1. Parametric values specified at: -3.0V to -3.8V or -4.2V to -5.5V.
2. V_{IN} = V_{IH}(Max) or V_{IL}(Min): Loading with 50Ω to -2.0V.
3. V_{IN} = V_{IH}(Min) or V_{IL}(Max): Loading with 50Ω to -2.0V.
4. V_{IN} = V_{IL}(Min).

AC ELECTRICAL CHARACTERISTICS⁽¹⁾

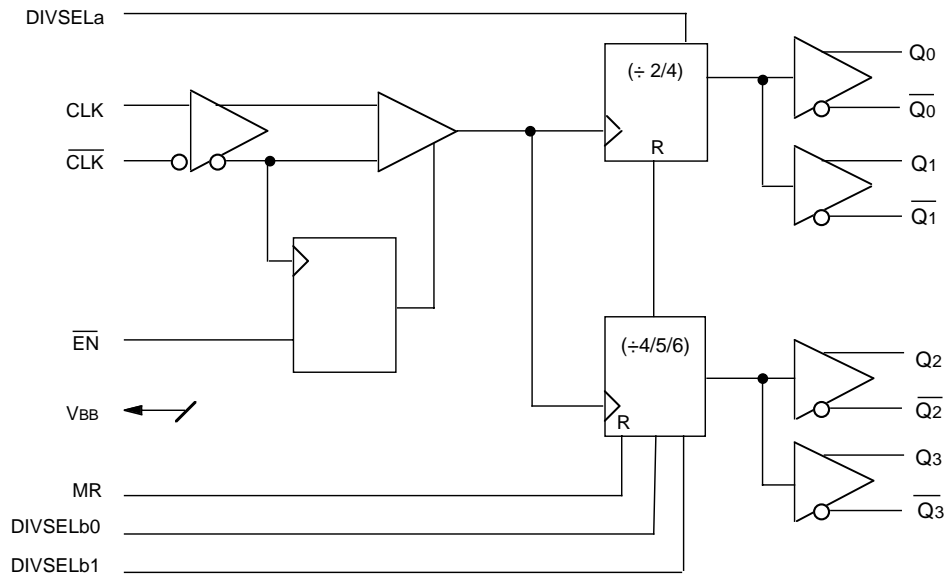
VEE = VEE (min) to VEE (max); VCC = GND

Symbol	Parameter	TA = -40°C			TA = 0°C			TA = +25°C			TA = +85°C			Unit	
		Min.	Typ.	Max.	Min.	Typ.	Max.	Min.	Typ.	Max.	Min.	Typ.	Max.		
fMAX	Maximum Toggle Frequency	1000	—	—	1000	—	—	1000	—	—	1000	—	—	MHz	
tPLH	Propagation Delay to Output													ps	
tPHL	CLK → Output (Diff.)	725	—	925	725	—	925	725	—	925	725	—	925		
	CLK → Output (S.E.)	675	—	975	675	—	975	675	—	975	675	—	975		
	MR → Output	600	—	900	600	—	900	610	—	910	630	—	930		
tskew	Within-Device Skew ⁽²⁾ Q0 — Q3	—	—	50	—	—	50	—	—	50	—	—	50	ps	
	Part-to-Part Q0 — Q3 (Diff.)	—	—	200	—	—	200	—	—	200	—	—	200		
tS	Set-up Time /EN → /CLK	250	—	—	250	—	—	250	—	—	250	—	—	ps	
	DIVSEL → CLK	400	—	—	400	—	—	400	—	—	400	—	—		
tH	Hold Time /CLK → /EN	100	—	—	100	—	—	100	—	—	100	—	—	ps	
	CLK → DIVSEL	150	—	—	150	—	—	150	—	—	150	—	—		
VPP	Minimum Input Swing ⁽³⁾ CLK	250	—	—	250	—	—	250	—	—	250	—	—	mV	
VCMR	Common Mode Range ^{(4), (5)}	-1.6	—	-0.4	-1.7	—	-0.4	-1.7	—	-0.4	-1.7	—	-0.4	V	
tRR	Reset Recovery Time	—	—	100	—	—	100	—	—	100	—	—	100	ps	
tPW	Minimum Pulse Width CLK	500	—	—	500	—	—	500	—	—	500	—	—	ps	
	MR	700	—	—	700	—	—	700	—	—	700	—	—		
tr	Output Rise/Fall Times (20% —80%)	Q	280	—	550	280	—	550	280	—	550	280	—	550	ps
tf															

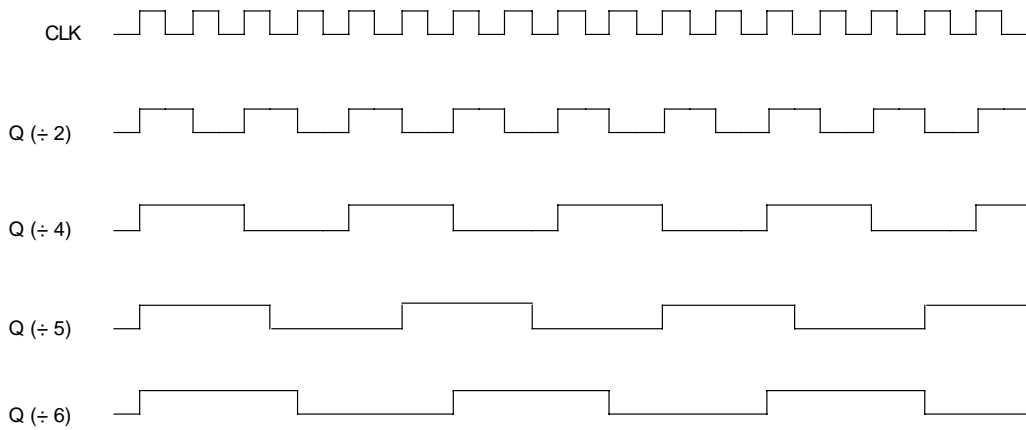
NOTES:

1. Parametric values specified at: -3.0V to -3.8V or -4.2V to -5.5V.
2. Skew is measured between outputs under identical transitions.
3. Minimum input swing for which AC parameters are guaranteed. The device will function reliably with differential inputs down to 100mV.
4. The CMR range is referenced to the most positive side of the differential input signal. Normal operation is obtained if the HIGH level falls within the specified range and the peak-to-peak voltage lies between VPP min. and 1V. The lower end of the CMR range varies 1:1 with VEE. The numbers in the spec table assume a nominal VEE = -3.3V. Note for PECL operation, the VCMR (min) will be fixed at 3.3V - IVCMR (min)l.
5. Duty Cycle: (Min. 48%; Max. 52%) } over temp.

LOGIC DIAGRAM



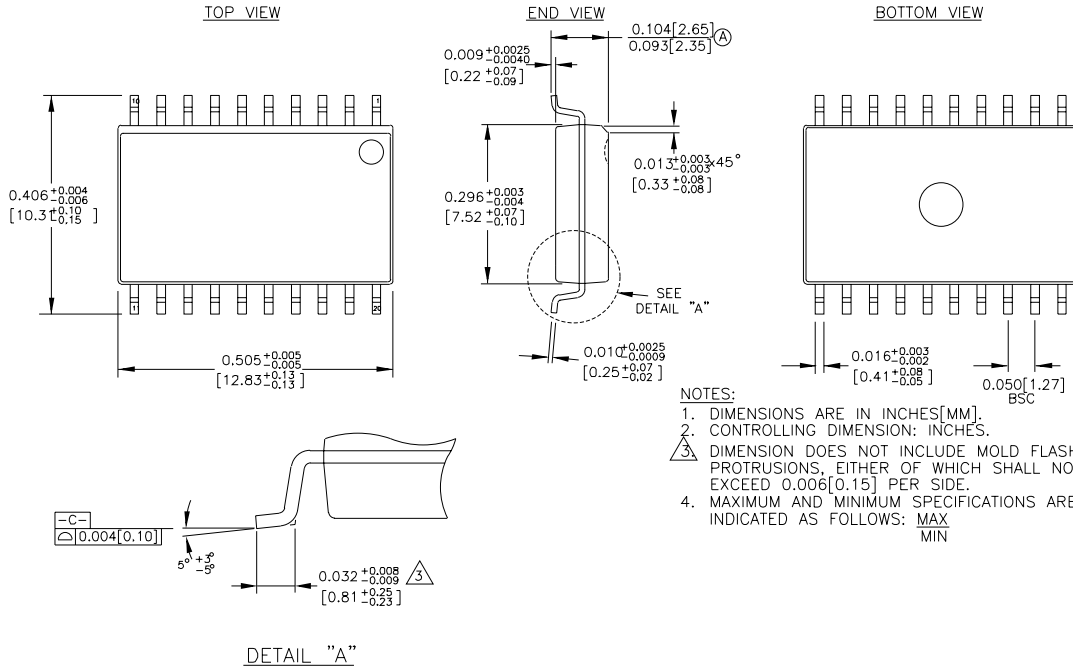
TIMING DIAGRAMS



PRODUCT ORDERING CODE

Ordering Code	Package Type	Operating Range
SY100S839VZC	Z20-1	Commercial
SY100S839VZCTR	Z20-1	Commercial

20 LEAD SOIC .300" WIDE (Z20-1)



- NOTES:
1. DIMENSIONS ARE IN INCHES[MM].
 2. CONTROLLING DIMENSION: INCHES.
 3. DIMENSION DOES NOT INCLUDE MOLD FLASH OR PROTRUSIONS, EITHER OF WHICH SHALL NOT EXCEED 0.006[0.15] PER SIDE.
 4. MAXIMUM AND MINIMUM SPECIFICATIONS ARE INDICATED AS FOLLOWS: MAX
MIN

Rev. 03

MICREL-SYNERGY 3250 SCOTT BOULEVARD SANTA CLARA CA 95054 USA
TEL + 1 (408) 980-9191 FAX + 1 (408) 914-7878 WEB <http://www.micrel.com>

This information is believed to be accurate and reliable, however no responsibility is assumed by Micrel for its use nor for any infringement of patents or other rights of third parties resulting from its use. No license is granted by implication or otherwise under any patent or patent right of Micrel Inc.

© 2000 Micrel Incorporated