

MC44817/17B

PLL Tuning Circuits with 3-Wire Bus

The MC44817/17B are tuning circuits for TV and VCR tuner applications. They contain on one chip all the functions required for PLL control of a VCO. The integrated circuits also contain a high frequency prescaler and thus can handle frequencies up to 1.3 GHz.

The MC44817 has programmable 512/1024 reference divider while the MC44817B has a fixed reference divider of 1024.

The MC44817/17B are manufactured on a single silicon chip using Motorola's high density bipolar process, MOSAIC™ (Motorola Oxide Self Aligned Implanted Circuits).

- Complete Single Chip System for MPU Control (3-Wire Bus). Data and Clock Inputs are IIC Bus Compatible
- Divide-by-8 Prescaler Accepts Frequencies up to 1.3 GHz
- 15 Bit Programmable Divider Accepts Input Frequencies up to 165 MHz
- Reference Divider: Programmable for Division Ratios 512 and 1024. The MC44817B has a Fixed 1024 Reference Divider
- Tri-State Phase/Frequency Comparator
- Operational Amplifier for Direct Tuning Voltage Output (30 V)
- Four Integrated PNP Band Buffers for 40 mA (V_{CC1} to 14.4 V)
- Output Options for the Reference Frequency and the Programmable Divider
- Bus Protocol for 18 or 19 Bit Transmission
- Extra Protocol for 34 Bit for Test and Further Features
- High Sensitivity Preampfier
- Circuit to Detect Phase Lock
- Fully ESD Protected

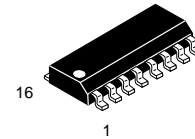
MOSAIC is a trademark of Motorola, Inc.

ORDERING INFORMATION

Device	Operating Temperature Range	Package
MC44817D	$T_A = -20^\circ$ to $+80^\circ\text{C}$	SO-16
MC44817BD		

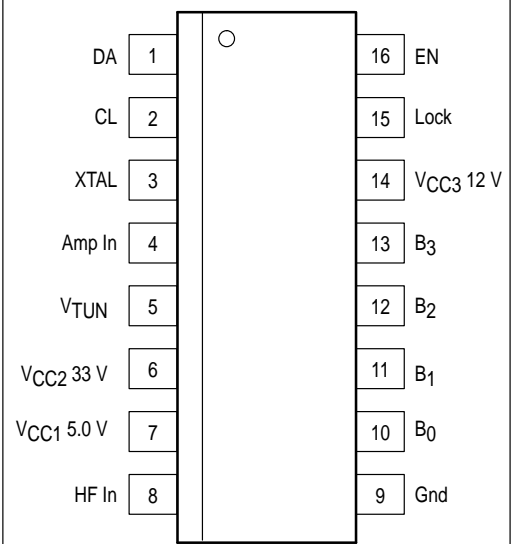
TV AND VCR PLL TUNING CIRCUITS WITH 1.3 GHz PRESCALER AND 3-WIRE BUS

SEMICONDUCTOR TECHNICAL DATA



D SUFFIX
PLASTIC PACKAGE
CASE 751B
(SO-16)

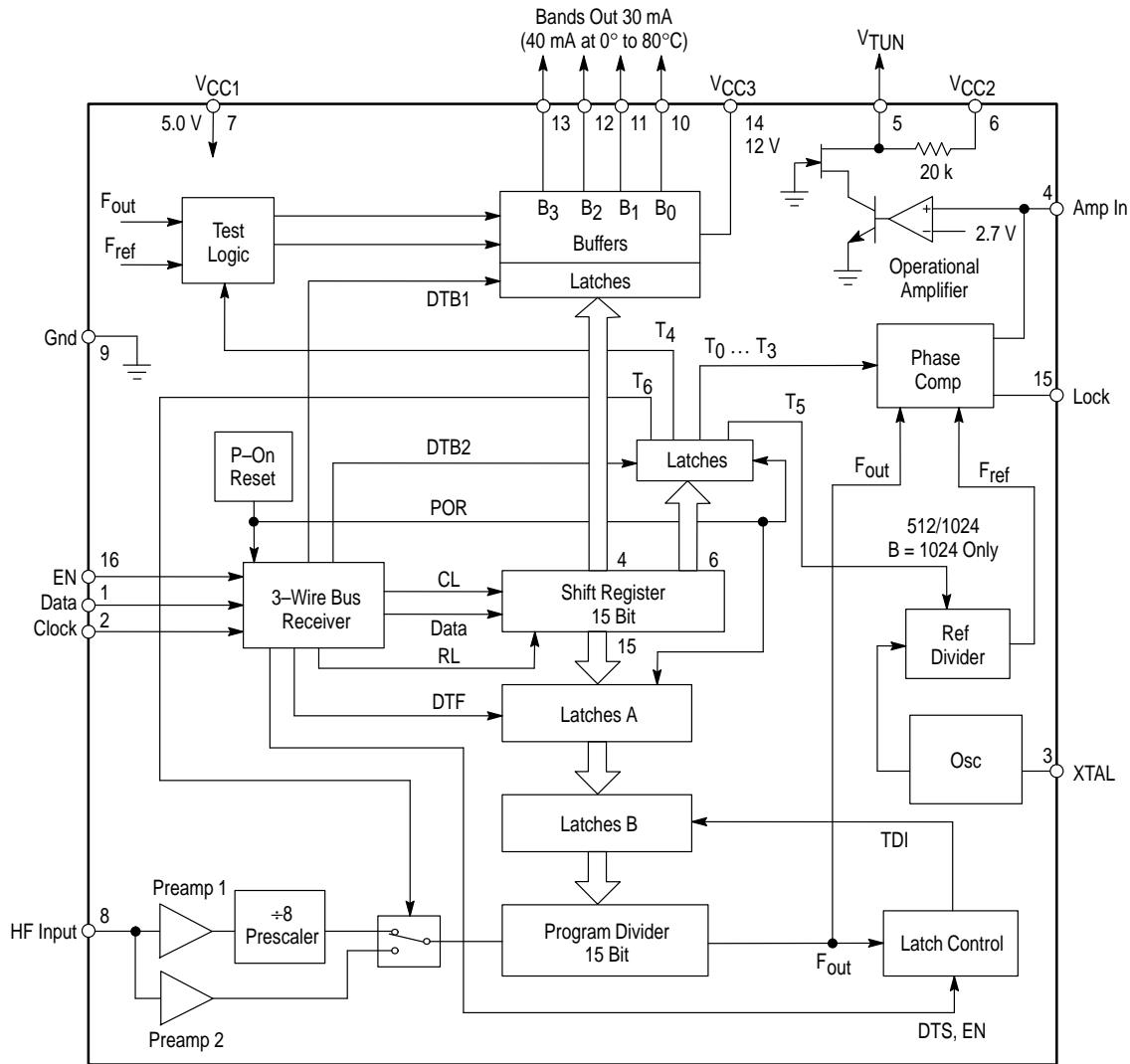
PIN CONNECTIONS



(Top View)

MC44817/17B

Representative Block Diagram



This device contains 3,204 active transistors.

MAXIMUM RATINGS ($T_A = 25^\circ\text{C}$, unless otherwise noted.)

Rating	Pin	Value	Unit
Power Supply Voltage (V_{CC1})	7	6.0	V
Band Buffer "Off" Voltage	10–13	14.4	V
Band Buffer "On" Current	10–13	50	mA
Band Buffer – Short Circuit Duration (0 to V_{CC3}) (Note 2)	10–13	Continuous	–
Operational Amplifier Power Supply Voltage (V_{CC2})	6	40	V
Operational Amplifier Short Circuit Duration (0 to V_{CC2})	5	Continuous	–
Power Supply Voltage (V_{CC3})	14	14.4	V
Storage Temperature	–	–65 to +150	$^\circ\text{C}$
Operating Temperature Range	–	–20 to +80	$^\circ\text{C}$
Band Buffer Operation (Note 1) at 50 mA each Buffer All Buffers "On" Simultaneously	10–13	10	sec
Operational Amplifier Output Voltage	5	V_{CC2}	V
RF Input Level (10 MHz to 1.3 GHz)	–	1.5	V _{rms}

NOTES: 1. At $V_{CC3} = V_{CC1}$ to 14.4 V and $T_A = -20^\circ$ to $+80^\circ\text{C}$.
2. At $V_{CC3} = V_{CC1}$ to 14.4 V and $T_A = -20^\circ$ to $+80^\circ\text{C}$ one buffer "On" only.

ELECTRICAL CHARACTERISTICS ($V_{CC1} = 5.0\text{ V}$, $V_{CC2} = 33\text{ V}$, $V_{CC3} = 12\text{ V}$, $T_A = 25^\circ\text{C}$, unless otherwise noted.)

Characteristic	Pin	Min	Typ	Max	Unit
V_{CC1} Supply Voltage Range	7	4.5	5.0	5.5	V
V_{CC1} Supply Current ($V_{CC1} = 5.0\text{ V}$)	7	–	37	50	mA
V_{CC2} Supply Voltage Range	6	25	–	37	V
V_{CC2} Supply Current (Output Open)	6	–	1.5	3.5	mA
Band Buffer Leakage Current when “Off” at 12 V	10–13	–	0.01	1.0	μA
Band Buffer Saturation Voltage when “On” at 30 mA	10–13	–	0.15	0.3	V
Band Buffer Saturation Voltage when “On” at 40 mA only for 0° to 80°C	10–13	–	0.2	0.5	V
Data/Clock/Enable Current at 0 V	1, 2, 16	–10	–	0	μA
Data/Clock/Enable Current at 5.0 V	1, 2, 16	0	–	1.0	μA
Data/Clock/Enable Input Voltage Low	1, 2, 16	–	–	1.5	V
Data/Clock/Enable Input Voltage High	1, 2, 16	3.0	–	–	V
Clock Frequency Range	2	–	–	100	kHz
Oscillator Frequency Range	3	3.15	3.2	4.05	MHz
Operational Amplifier Internal Reference Voltage	–	2.0	2.75	3.2	V
Operational Amplifier Input Current	4	–15	0	15	nA
DC Open Loop Voltage Gain	–	100	250	–	V/V
Gain Bandwidth Product ($CL = 1.0\text{ nF}$)	–	0.3	–	–	MHz
V_{out} Low, Sinking $50\text{ }\mu\text{A}$	5	–	0.2	0.4	V
V_{out} High, Sourcing $10\text{ }\mu\text{A}$, $V_{CC2} - V_{out}$	5	–	0.2	0.5	V
Phase Comparator Tri-State Current	4	–15	0	15	nA
Charge Pump High Current of Phase Comparator	4	30	50	85	μA
Charge Pump Low Current of Phase Comparator	4	10	15	30	μA
V_{CC3} Supply Voltage Range	14	V_{CC1}	–	14.4	V
V_{CC3} Supply Current	14	–	–	–	mA
All Buffers “Off”		–	0.2	0.5	
One Buffer “On” when Open		–	8.0	13	
One Buffer “On” at 40 mA		–	48	53	

Data Format and Bus Receiver

The circuit is controlled by a 3-wire bus via Data (DA), Clock (CL), and Enable (EN) inputs. The Data and Clock inputs may be shared with other inputs on the IIC-Bus while the Enable is a separate signal. The circuit is compatible with 18 and 19 bit data transmission and also has a mode for 34 bit transmission for test and additional features.

The 3-wire bus receiver receives data for the internal shift register after the positive going edge of the EN-signal. The data is transmitted to the band buffers on the negative going edge of the clock pulse 4 (signal DTB1).

18 and 19 Bit Data Transmission

The programmable divider may receive 14 bit (18 bit transmission) or 15 bit (19 bit transmission). The data is transmitted to the programmable divider (latches A) on the negative going edge of clock pulse 19 or on the negative edge of the EN-signal if EN goes down after the 18th clock pulse (signal DTF). If the programmable divider receives 14 bit, its MSB (bit N_{14}) is internally reset. The reset pulse is generated only if EN goes negative after the 18th clock pulse (signal RL).

34 Bit Data Transmission**(For Test and Additional Features)**

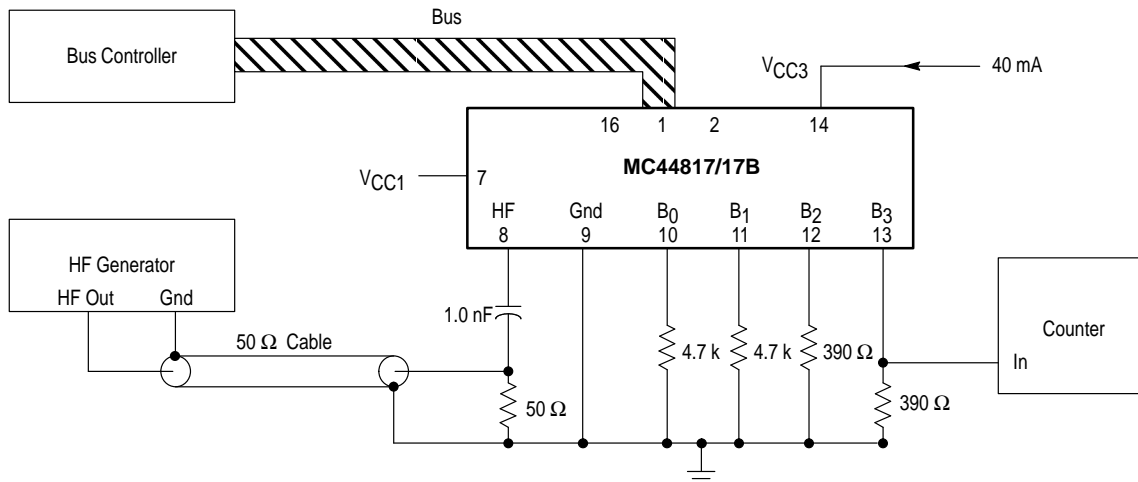
In the test mode, the programmable divider receives 15 bit and the data is transferred to latches A on the negative edge of clock pulse 19 (signal DTF). The information for test is received on clock pulses 20 to 26 and transmitted to the latches on the negative edge of pulse 34 (signal DTB2). These latches have a power-on reset. The power-on reset sets the programmable divider to a counting ratio of 256 or higher and resets the corresponding latches to the test bits T_0 to T_6 (signal POR). The bus receiver is not disturbed if the data format is wrong. Useless bits are ignored. If for example the Enable signal goes low after the clock pulse 9, bits one to four are accepted as valid buffer information and the other bits are ignored. If more than 34 bits are received, bit 35 and the following are ignored.

Lock Detector

The lock-detector output is low in lock. The output goes immediately high when an unlock condition is detected. The output goes low again when the loop is in lock during a complete period of the reference frequency.

MC44817/17B

Figure 1. HF Sensitivity Test Circuit

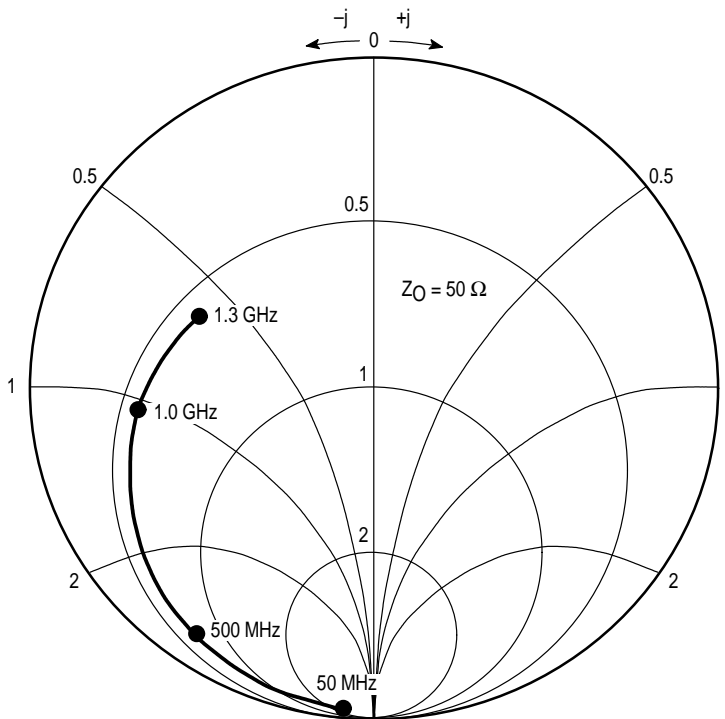


Device is in test mode. B₂, B₃ are "On" and B₀, B₁ are "Off".
Sensitivity is level of HF generator on 50 Ω load (without Pin 8 loading).

HF CHARACTERISTICS (See Figure 1)

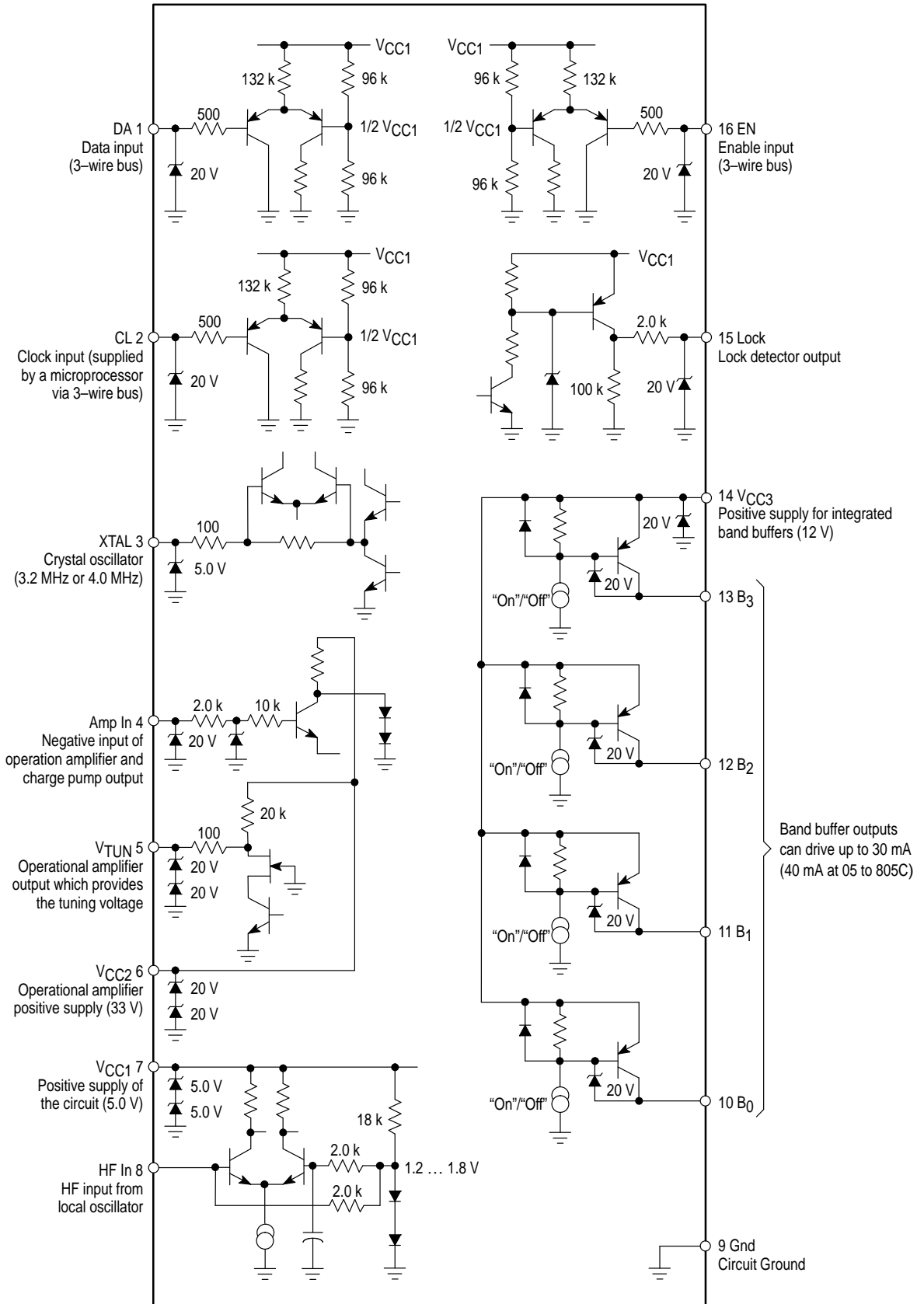
Characteristic	Pin	Min	Typ	Max	Unit
DC Bias	8	–	1.6	–	V
Input Voltage Range					mVrms
10–80 MHz, Prescaler "Off", T ₆ = 1.0	8	20	–	315	
80–150 MHz	8	10	–	315	
150–600 MHz	8	5.0	–	315	
600–950 MHz	8	10	–	315	
950–1300 MHz	8	50	–	315	

Figure 2. Typical HF Input Impedance



MC44817/17B

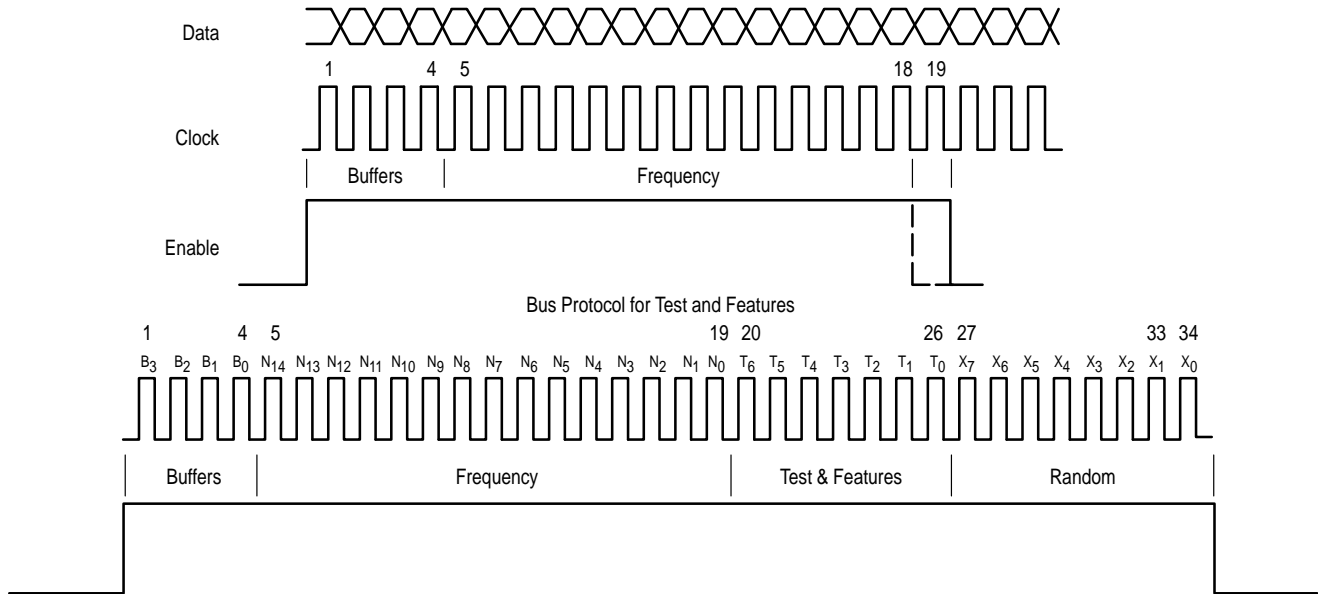
Figure 3. Pin Circuit Schematic



MC44817/17B

Bus Timing Diagram

Standard Bus Protocol 18 or 19 Bit



Definition of Permissible Bus Protocols

1. Bus Protocol for 18 Bit

B₃ B₂ B₁ B₀ N₁₃ N₁₂ N₁₁ N₁₀ N₉ N₈ N₇ N₆ N₅ N₄ N₃
N₂ N₁ N₀
Max Counting Ratio 16363
N₁₄ is Reset Internally

2. Bus Protocol for 19 Bit

B₃ B₂ B₁ B₀ N₁₄ N₁₃ N₁₂ N₁₁ N₁₀ N₉ N₈ N₇ N₆ N₅ N₄
N₃ N₂ N₁ N₀
Max Counting Ratio 32767

- B₀ to B₃: Control of Band Buffers
- N₀ to N₁₄: Control of Programmable Dividers

N₁₄ = MSB; N₀ = LSB

Minimum Counting Ratio Always 17

B₃ = First Shifted Bit

N₀ = Last Shifted Bit

3. Bus Protocol for Test and Further Features (34 Bit)

B₃ B₂ B₁ B₀ N₁₄...N₀ T₆ T₅ T₄ T₃ T₂ T₁ T₀ X₇
X₆...X₁ X₀

- T₀ to T₃: Control the Phase Comparator
- T₄: Switches Test Signals to the Buffer Outputs
- T₅: Division Ratio of the Reference Divider
B Version T₅ = "X"
- T₆: Bypasses the Prescaler (Note 1)
- X₀ to X₇: Are Random

B₃ = First Shifted Bit

X₀ = Last Shifted Bit

Definition of the Bits for Test and Features

Bit T₀: Defines the Charge Pump Current of the Phase Comparator

T ₀ = 0	Pump Current 50 μA Typical
= 1	Pump Current 15 μA Typical

Bits T₁ and T₂: Define the Digital Function of the Phase Comparator

T ₂	T ₁	State	Output Function of Phase Comparator
0	0	1	Normal Operation
0	1	2	High Impedance (Tri-State)
1	0	3	Upper Source "On", Lower Source "Off"
1	1	4	Lower Source "On", Upper Source "Off"

NOTE: 1. The phase comparator pulls high if the input frequency is too high and it pulls low when the input frequency is too low. (Inversion by Operational Amplifier) The phase comparator generates a fixed duration offset pulse for each comparison pulse (similar to the MC44802A). This guarantees operation in the linear region. The offset pulse is a positive current pulse (upper source).

Bit T₃: Defines the Offset Pulse of the Phase Comparator

T ₃ = 0	Offset Pulse Short (200 ns) Normal Mode
= 1	Offset Pulse Long (350 ns)

Bit T₄: Switches the Internal Frequencies F_{Ref} and FB_{Y2} to the Buffer Outputs (B₂, B₃)

T ₄ = 0	Normal Operation
= 1	F _{Ref} Switched to Buffer Output B ₂ FB _{Y2} Switched to Buffer Output B ₃

NOTE: Bits B₂ and B₃ have to be one in this case. F_{Ref} is the reference frequency. FB_{Y2} is the output frequency of the programmable divider, divided by two.

Bit T₅: Defines the Division Ratio of the Reference Divider

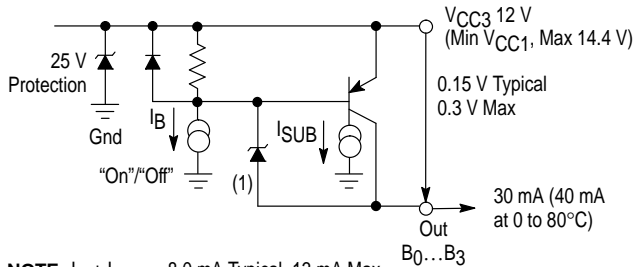
T ₅ = 0	Division Ratio 512
= 1	Division Ratio 1024

NOTE: The division ratio of the reference divider can only be programmed in the 34 bit bus protocol. In the standard bus protocol the division ratio is 512. (The power-up reset POR sets the division ratio to 512). On "B-version", T₅ = "X". Division ratio 1024 fixed.

Bit T₆: Switches the Prescaler

T ₆ = 0	Normal Operation, 1.3 GHz
= 1	Low Frequency Operation Preamp. 2 Switched Off, 165 MHz maximum The prescaler is bypassed and the power supply of the prescaler is switched off. Input: 10 MHz minimum, 20 mVrms minimum

Figure 4. Equivalent Circuit of the Integrated Band Buffers



NOTE: I_B + I_{SUB} = 8.0 mA Typical, 13 mA Max
I_B = Base Current
I_{SUB} = Substrate Current of PNP

The Programmable Divider

The programmable divider is a presettable down counter. When it has counted to zero it takes its required division ratio out of the latches B. Latches B are loaded from latches A by means of signal TDI which is synchronous to the programmable divider output signal.

Since latches A receive the data asynchronously with the programmable divider; this double latch scheme is needed to assure correct data transfer to the counter.

The division ratio definition is given by:

$$N = 16384 \times N_{14} + 8132 \times N_{13} + \dots + 4 \times N_2 + 2 \times N_1 + N_0$$

Maximum Ratio 32767
(16363 in case of 18 bit bus protocol)
Minimum Ratio 17
N₀ ... N₁₄ are the different bits for frequency information.

At power-on the whole bus receiver is reset and the programmable divider is set to a counting ratio of N = 256 or higher.

The Prescaler

The prescaler has a preamplifier which guarantees high input sensitivity.

The Phase Comparator

The phase comparator is phase and frequency sensitive and has very low output leakage current in the high impedance state.

The Operational Amplifier

The operational amplifier is designed for very low noise, low input bias current and high power supply rejection. The positive input is biased internally. The operational amplifier needs 28.5 V supply (VCC2) as minimum voltage for a guaranteed maximum tuning voltage of 28 V.

Figure 6 shows a possible filter arrangement. The component values depend very much on the application (tuner characteristic, reference frequency, etc.).

The Oscillator

The oscillator uses a 3.2 to 4.0 MHz crystal tied to ground in series with a capacitor. The crystal operates in the series resonance mode.

The voltage at Pin 3 has low amplitude and low harmonic distortion.

Figure 5. Equivalent Circuit of the Lock Output

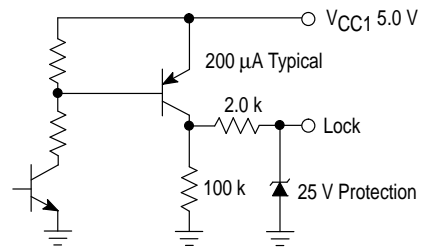
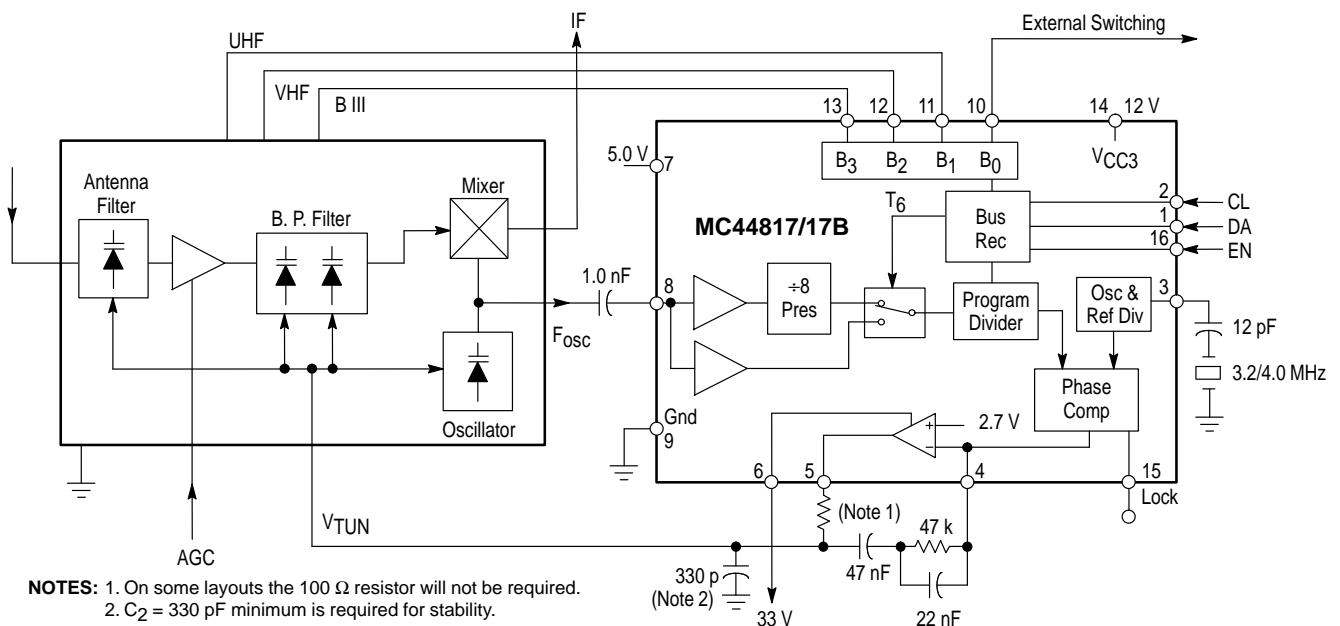


Figure 6. Typical Tuner Application

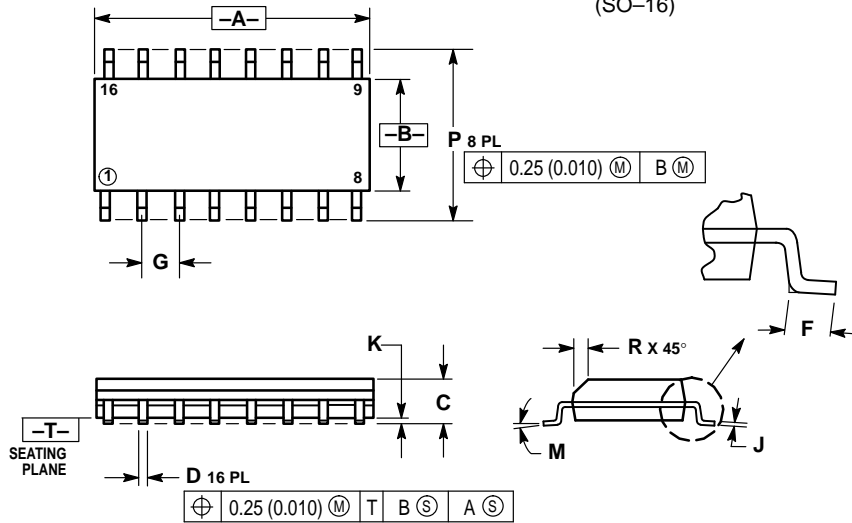


NOTES: 1. On some layouts the 100 Ω resistor will not be required.
2. C₂ = 330 pF minimum is required for stability.

MC44817/17B

OUTLINE DIMENSIONS

D SUFFIX
PLASTIC PACKAGE
CASE 751B-05
(SO-16)



NOTES:

1. DIMENSIONING AND TOLERANCING PER ANSI Y14.5M, 1982.
2. CONTROLLING DIMENSION: MILLIMETER.
3. DIMENSIONS A AND B DO NOT INCLUDE MOLD PROTRUSION.
4. MAXIMUM MOLD PROTRUSION 0.15 (0.006) PER SIDE.
5. DIMENSION D DOES NOT INCLUDE DAMBAR PROTRUSION. ALLOWABLE DAMBAR PROTRUSION SHALL BE 0.127 (0.005) TOTAL IN EXCESS OF THE D DIMENSION AT MAXIMUM MATERIAL CONDITION.

DIM	MILLIMETERS		INCHES	
	MIN	MAX	MIN	MAX
A	9.80	10.00	0.386	0.393
B	3.80	4.00	0.150	0.157
C	1.35	1.75	0.054	0.068
D	0.35	0.49	0.014	0.019
F	0.40	1.25	0.016	0.049
G	1.27 BSC		0.050 BSC	
J	0.19	0.25	0.008	0.009
K	0.10	0.25	0.004	0.009
M	0°	7°	0°	7°
P	5.80	6.20	0.229	0.244
R	0.25	0.50	0.010	0.019

Motorola reserves the right to make changes without further notice to any products herein. Motorola makes no warranty, representation or guarantee regarding the suitability of its products for any particular purpose, nor does Motorola assume any liability arising out of the application or use of any product or circuit, and specifically disclaims any and all liability, including without limitation consequential or incidental damages. "Typical" parameters which may be provided in Motorola data sheets and/or specifications can and do vary in different applications and actual performance may vary over time. All operating parameters, including "Typicals" must be validated for each customer application by customer's technical experts. Motorola does not convey any license under its patent rights nor the rights of others. Motorola products are not designed, intended, or authorized for use as components in systems intended for surgical implant into the body, or other applications intended to support or sustain life, or for any other application in which the failure of the Motorola product could create a situation where personal injury or death may occur. Should Buyer purchase or use Motorola products for any such unintended or unauthorized application, Buyer shall indemnify and hold Motorola and its officers, employees, subsidiaries, affiliates, and distributors harmless against all claims, costs, damages, and expenses, and reasonable attorney fees arising out of, directly or indirectly, any claim of personal injury or death associated with such unintended or unauthorized use, even if such claim alleges that Motorola was negligent regarding the design or manufacture of the part. Motorola and are registered trademarks of Motorola, Inc. Motorola, Inc. is an Equal Opportunity/Affirmative Action Employer.

How to reach us:

USA/EUROPE/Locations Not Listed: Motorola Literature Distribution;
 P.O. Box 20912; Phoenix, Arizona 85036. 1-800-441-2447 or 602-303-5454

JAPAN: Nippon Motorola Ltd.; Tatsumi-SPD-JLDC, 6F Seibu-Butsuryu-Center,
 3-14-2 Tatsumi Koto-Ku, Tokyo 135, Japan. 03-81-3521-8315

MFAX: RMFAX0@email.sps.mot.com – TOUCHTONE 602-244-6609
INTERNET: <http://Design-NET.com>

ASIA/PACIFIC: Motorola Semiconductors H.K. Ltd.; 8B Tai Ping Industrial Park,
 51 Ting Kok Road, Tai Po, N.T., Hong Kong. 852-26629298

