

Ordering Information

MF194	TO-46 Package
MF194 ST	ST Housing
MF194 SC	SC Housing
MF194 SMA	SMA Housing
MF194 FC	FC Housing

-40°C to +85°C

Note: Rated Fiber coupled power apply only on the TO-46 package, for housing options fiber coupled power is typically 10% less.

Features

- 860 nm Surface-Emitting LED
- 70 MHz Bandwidth
- Designed for 50/125 μm fiber

Applications

- LANs
- Test Equipment
- General Purpose

Description

This device is designed for Ethernet and general applications and offers an excellent price/performance ratio for cost-effective solutions. Its double-lens optical system results in optimum coupling of power into the fiber.

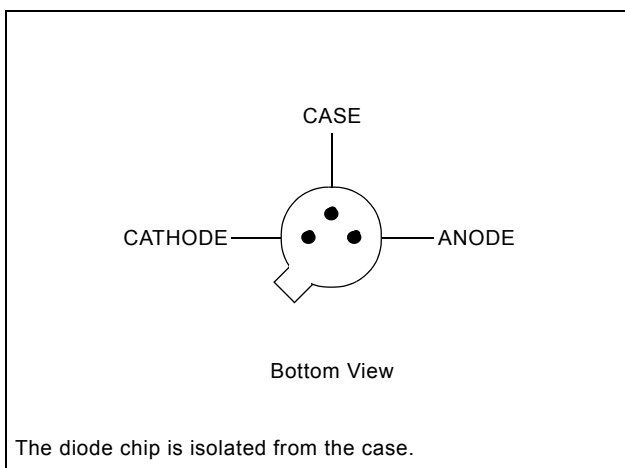


Figure 1 - Pin Diagram

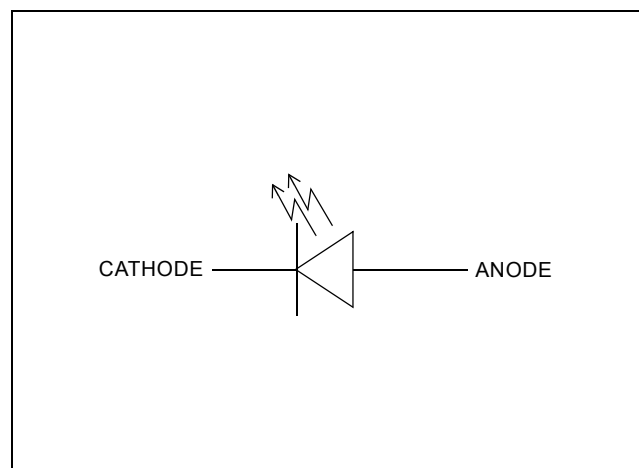


Figure 2 - Functional Schematic

Optical and Electrical Characteristics - Case Temperature 25°C

Parameter	Symbol	Min	Typ	Max	Unit	Test Condition	
Fiber-Coupled Power (Figures 3, 4, and 5) (Table 1)	P_{fiber}	25	45		μW	$I_F=60\text{ mA}$ (Note 1)	Fiber: 50/125 μm Graded Index NA=0.20
Rise and Fall Time (10-90%)	t_r, t_f		5	7	ns	$I_F=60\text{ mA}$ (no bias)	
Bandwidth (3dB _{e1})	f_c		70		MHz	$I_F=60\text{ mA}$	
Peak Wavelength	λ_p	840	860	880	nm	$I_F=60\text{ mA}$	
Spectral Width (FWHM)	$\Delta\lambda$		50		nm	$I_F=60\text{ mA}$	
Forward Voltage (Figure 7)	V_F		1.7	1.9	V	$I_F=60\text{ mA}$	
Reverse Current	I_R			20	μA	$V_R=1\text{ V}$	
Capacitance	C		250		pF	$V_R=0\text{ V}, f=1\text{ MHz}$	

Note 1: Measured at the exit of 100 meters of fiber.

Absolute Maximum Ratings

Parameter	Symbol	Limit
Storage Temperature	T_{stg}	-55 to +125°C
Operating Temperature (derating: Figure 6)	T_{op}	-40 to +85°C
Electrical Power Dissipation (derating: Figure 6)	P_{tot}	160 mW
Continuous Forward Current (f<10 kHz)	I_F	80 mA
Peak Forward Current (duty cycle<50%, f>1 MHz)	I_{FRM}	130 mA
Reverse Voltage	V_R	1.5 V
Soldering Temperature (2 mm from the case for 10 sec.)	T_{slid}	260°C

Thermal Characteristics

Parameter	Symbol	Min.	Typ.	Max.	Unit
Thermal Resistance - Infinite Heat Sink	R_{thjc}			200	$^{\circ}\text{C}/\text{W}$
Thermal Resistance - No Heat Sink	R_{thja}			500	$^{\circ}\text{C}/\text{W}$
Temperature Coefficient - Optical Power	dP/dT_j		-0.5		$\%/^{\circ}\text{C}$
Temperature Coefficient - Wavelength	$d\lambda/dT_j$		0.3		$\text{nm}/^{\circ}\text{C}$

Typical Fiber-Coupled Power

Core Diameter/Cladding Diameter Numerical Aperture			
50/125 μm 0.20	62.5/125 μm 0.275	100/140 μm 0.29	200/230 μm 0.37
45 μW	95 μW	210 μW	440 μW

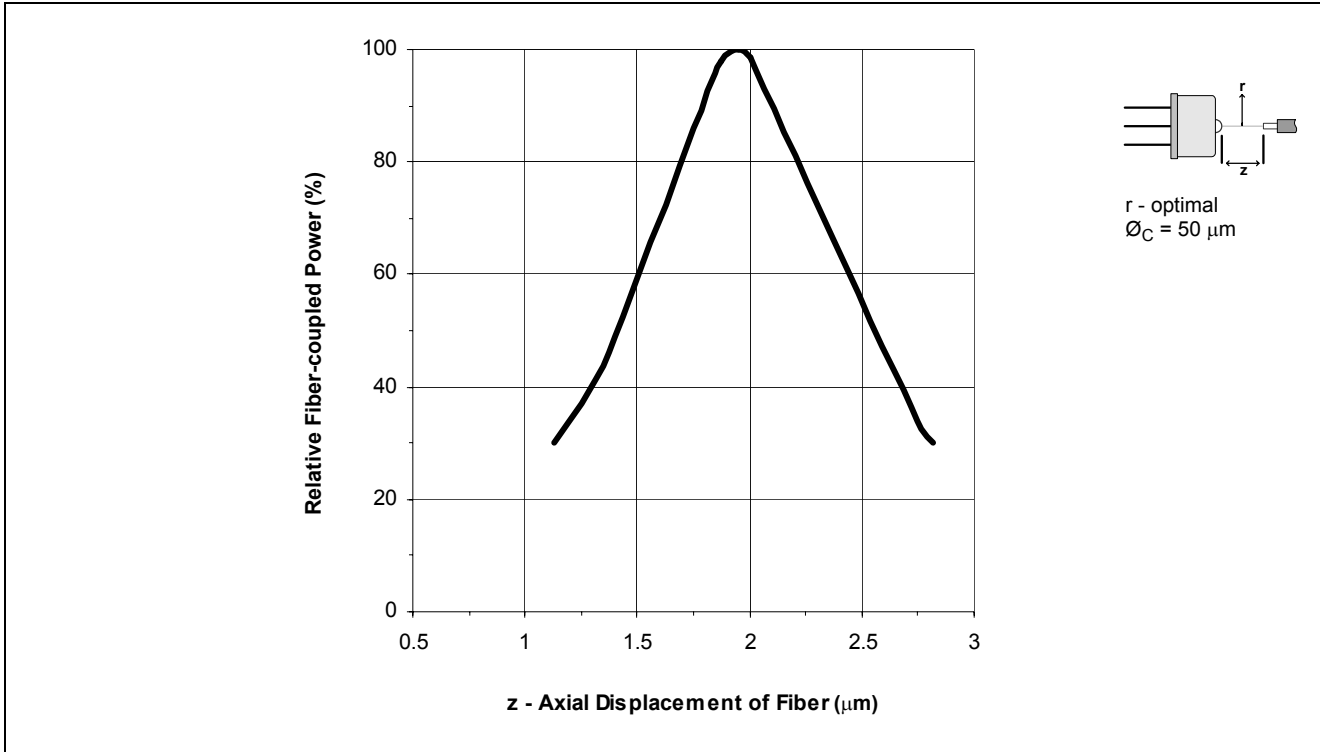


Figure 3 - Relative Fiber-coupled Power vs. z - Axial Displacement of Fiber

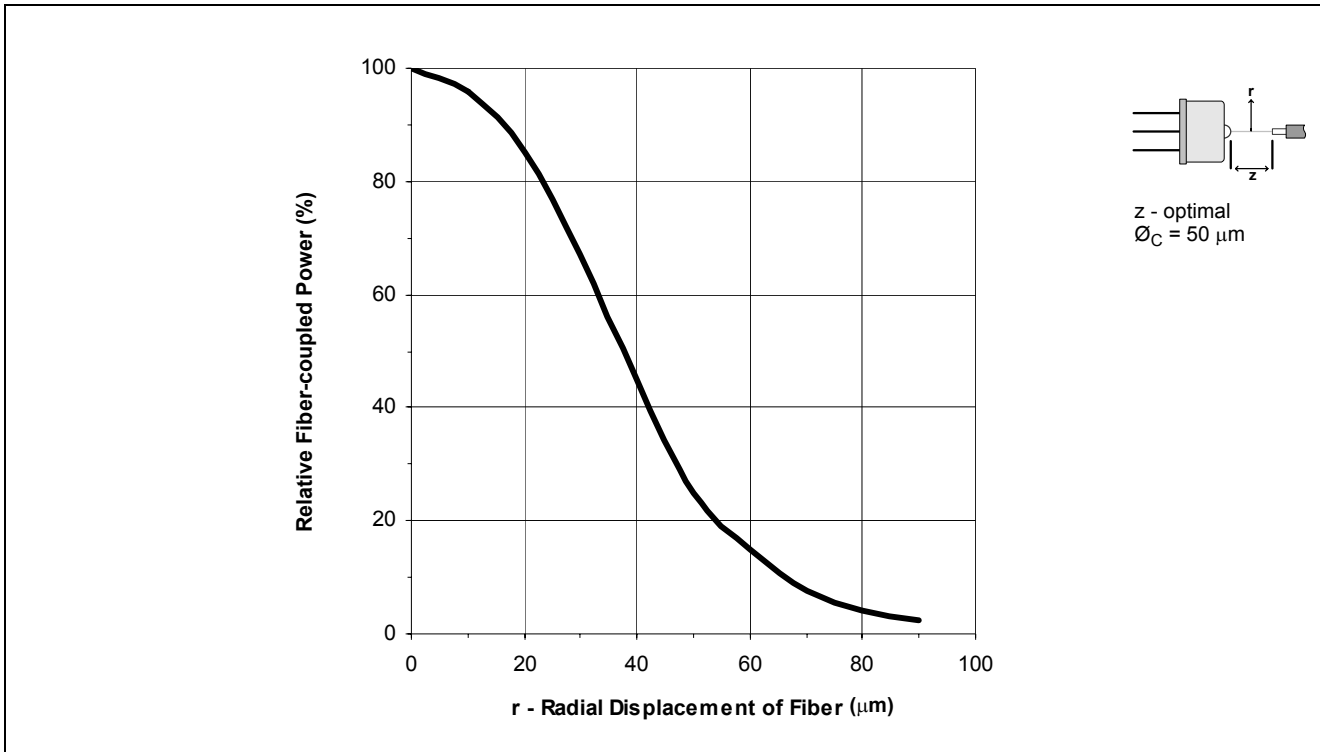


Figure 4 - Relative Fiber-coupled Power vs. r - Radial Displacement of Fiber

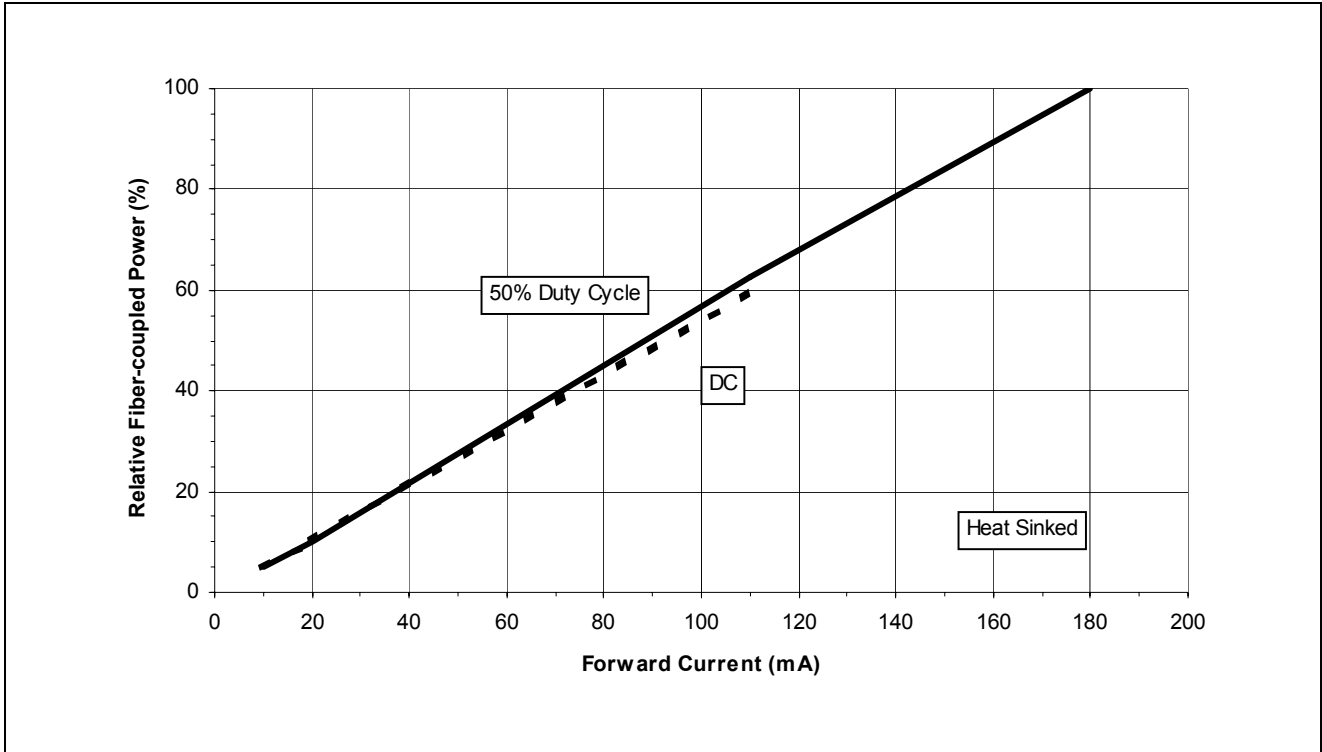


Figure 5 - Relative Fiber-coupled Power vs. Forward Current

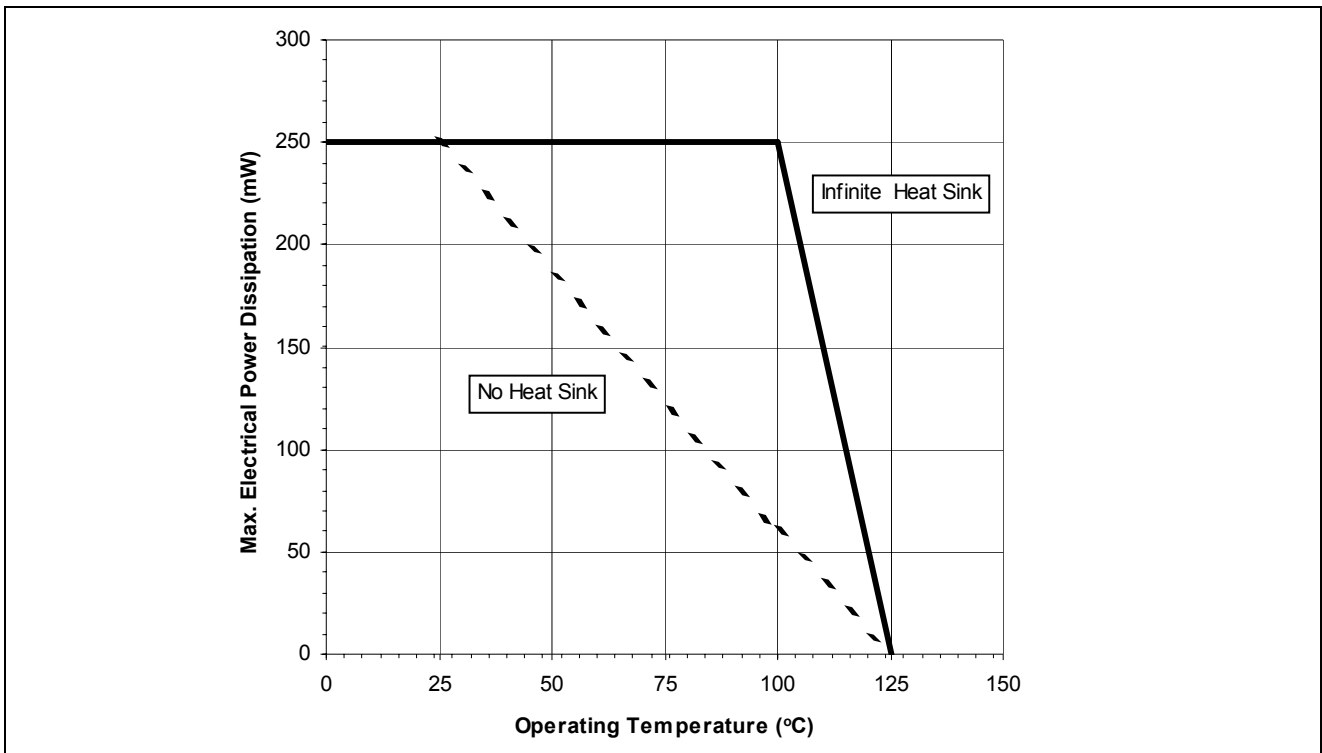


Figure 6 - Max. Electrical Power Dissipation vs. Operating Temperature

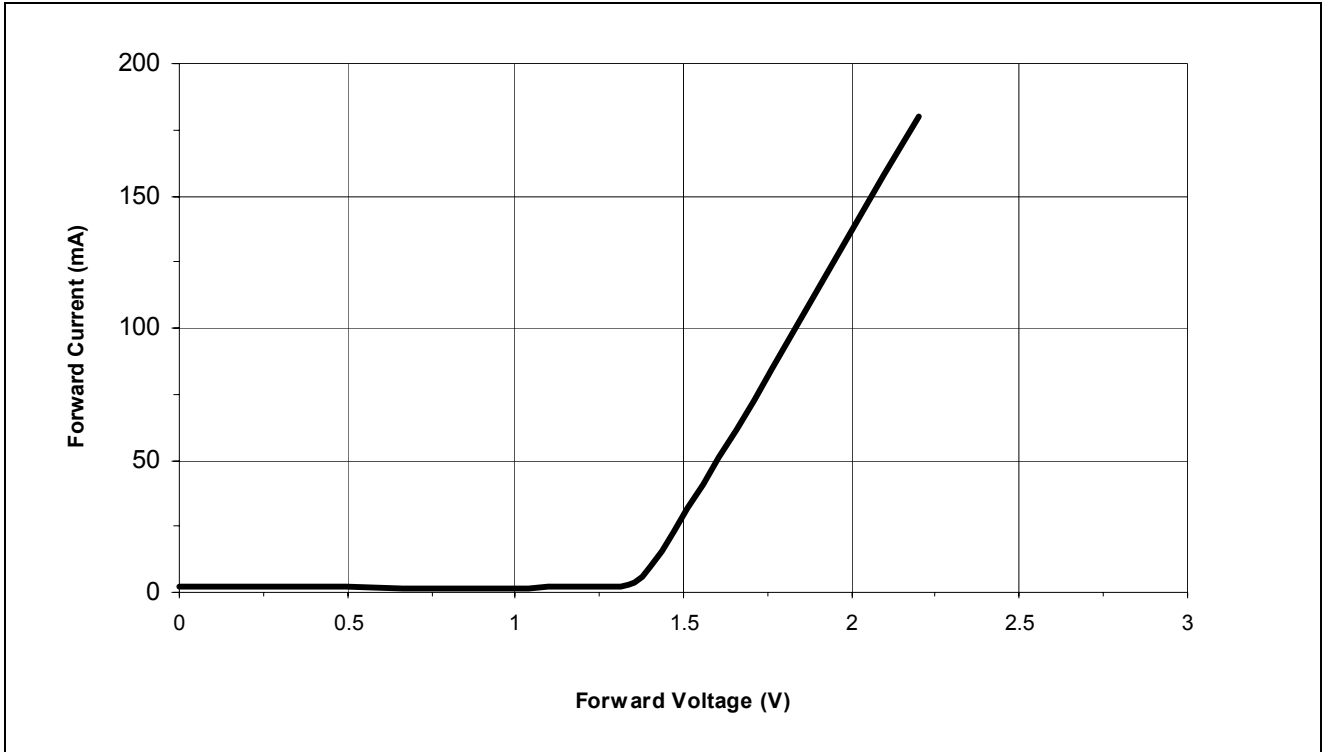
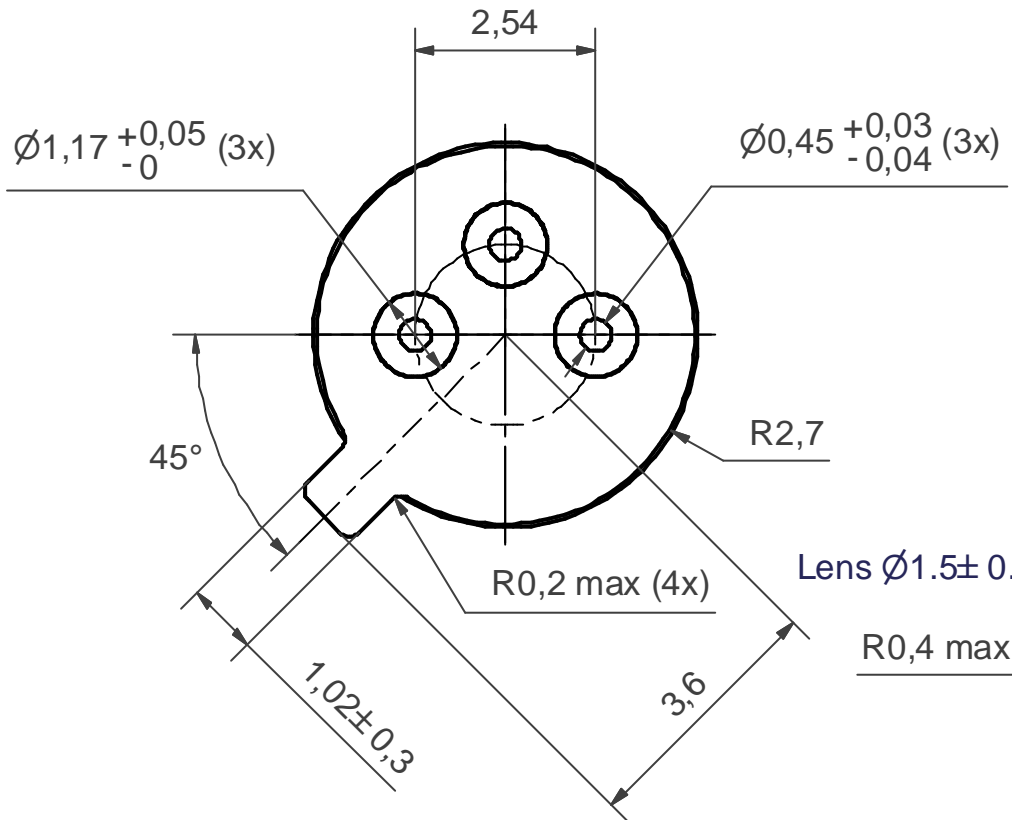
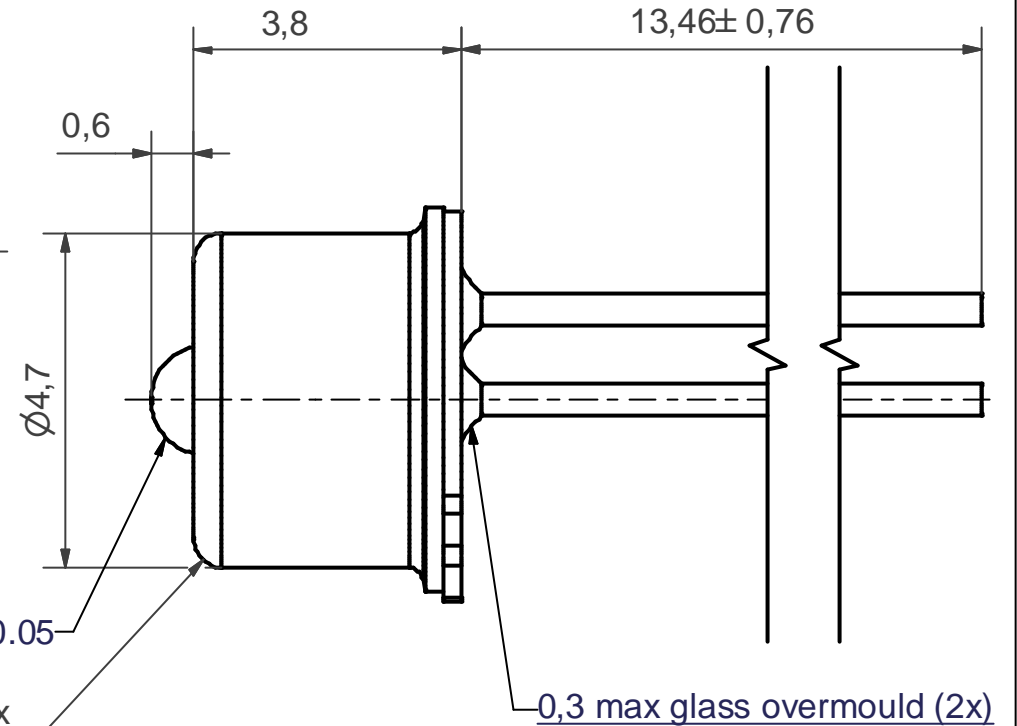


Figure 7 - Forward Current vs. Forward Voltage

BOTTOM VIEW (10 : 1)



SIDE VIEW



NOTES:-

1. All dimensions in mm.
2. General tol. ISO-2768-mK.
3. Coating: Case: Ni 1,5-2,5 µm.
Header: Ni 2-3 µm / Au min 1,32 µm.

© Zarlink Semiconductor 2002. All rights reserved.

ISSUE	1			
ACN	JS004076R1A			
DATE	22-MAR-03			
APPRD.	TD/BE			



Package code **TB**

Previous package codes

Drawing type
Package drawing, TO-46 with lens

Title **JS004076**



**For more information about all Zarlink products
visit our Web Site at
www.zarlink.com**

Information relating to products and services furnished herein by Zarlink Semiconductor Inc. or its subsidiaries (collectively "Zarlink") is believed to be reliable. However, Zarlink assumes no liability for errors that may appear in this publication, or for liability otherwise arising from the application or use of any such information, product or service or for any infringement of patents or other intellectual property rights owned by third parties which may result from such application or use. Neither the supply of such information or purchase of product or service conveys any license, either express or implied, under patents or other intellectual property rights owned by Zarlink or licensed from third parties by Zarlink, whatsoever. Purchasers of products are also hereby notified that the use of product in certain ways or in combination with Zarlink, or non-Zarlink furnished goods or services may infringe patents or other intellectual property rights owned by Zarlink.

This publication is issued to provide information only and (unless agreed by Zarlink in writing) may not be used, applied or reproduced for any purpose nor form part of any order or contract nor to be regarded as a representation relating to the products or services concerned. The products, their specifications, services and other information appearing in this publication are subject to change by Zarlink without notice. No warranty or guarantee express or implied is made regarding the capability, performance or suitability of any product or service. Information concerning possible methods of use is provided as a guide only and does not constitute any guarantee that such methods of use will be satisfactory in a specific piece of equipment. It is the user's responsibility to fully determine the performance and suitability of any equipment using such information and to ensure that any publication or data used is up to date and has not been superseded. Manufacturing does not necessarily include testing of all functions or parameters. These products are not suitable for use in any medical products whose failure to perform may result in significant injury or death to the user. All products and materials are sold and services provided subject to Zarlink's conditions of sale which are available on request.

Purchase of Zarlink's I²C components conveys a licence under the Philips I²C Patent rights to use these components in and I²C System, provided that the system conforms to the I²C Standard Specification as defined by Philips.

Zarlink, ZL and the Zarlink Semiconductor logo are trademarks of Zarlink Semiconductor Inc.

Copyright Zarlink Semiconductor Inc. All Rights Reserved.

TECHNICAL DOCUMENTATION - NOT FOR RESALE
