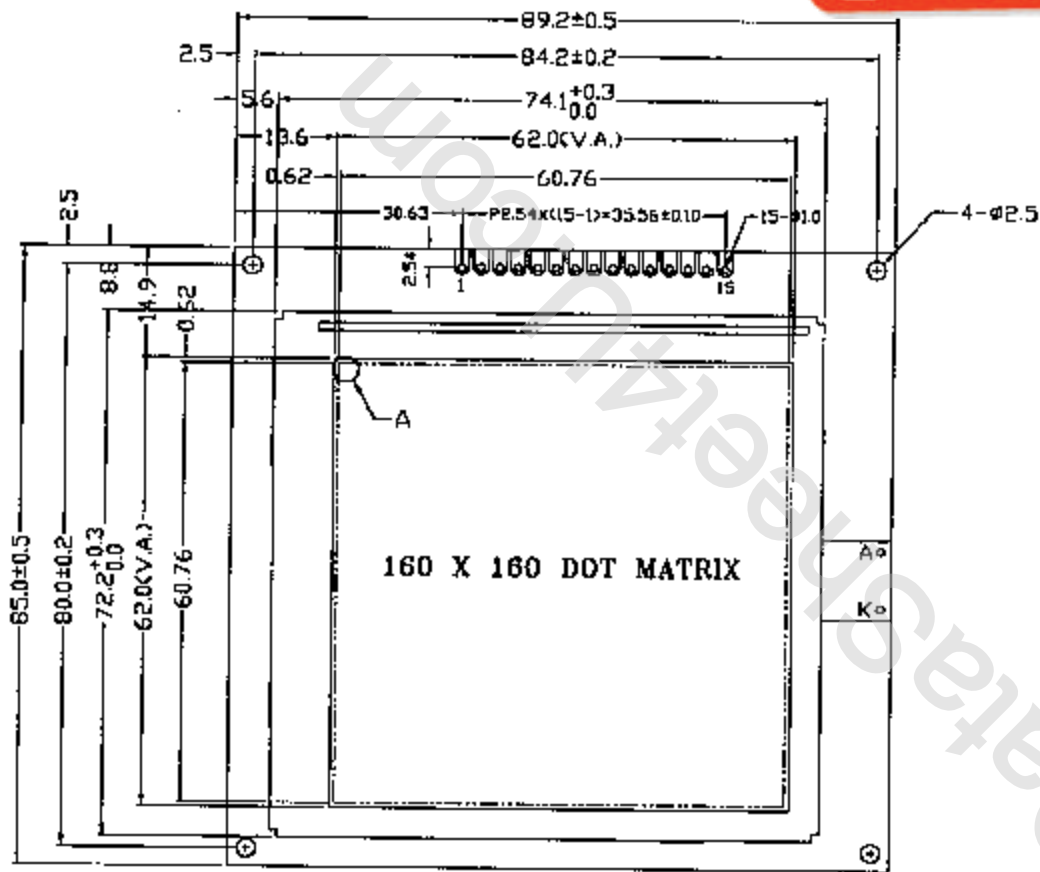
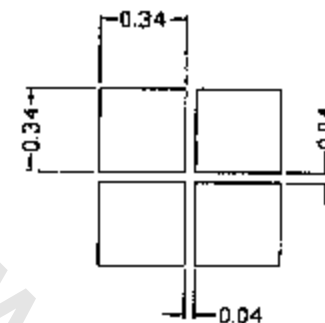


液晶之友 电话: 020-33819057  
 Http://www.lcdfriends.com




1	VSS
2	M
3	FLM
4	CL1
5	CL2
6	D3
7	D2
8	D1
9	D0
10	VEE
11	VDD
12	V0
13	D.off
14	K
15	A

DETAIL A:



- NOTES:
- 1.DISPLAY TYPE: FSTN
  - 2.VIEWING DIRECTION: 6:00
  - 3.POLARIZER MODE: TRANSFLECTIVE/POSITIVE
  - 4.OPERATING TEMP: -20°C--+70°C
  - 5.STORAGE TEMP: -30°C--+80°C
  - 6.ALL UNMARKED TOLERANCES: ±0.3
  - 7.DRIVE METHOD: DUTY=1/160 BIAS=1/14
  - 8.LCD OPERATING VOLTAGE: 17.0V
  - 9.BACKLIGHT TYPE:LED/YELLOW-GREEN
  - 10.DRIVER: KS0086
  - 11.WITHOUT CONTROLLER
  - 12.CONNECTOR: ESQ-115-23-SS(SAMTEC)
  - 13.BEZEL: PAINT COATING(WHITE)

		<b>TIAN-MA MICROELECTRONICS CO.</b>	
22/F., HANGDI Building, Shennan Road, Central, Shenzhen, C			
DRAWN BY:		TITLE: TM160160ACCWI	UNIVERSITY
CHECKED BY:		DWG NO: G-1	
APPROVED BY:			
CONTRIBUTOR BY:			