

## FEATURES

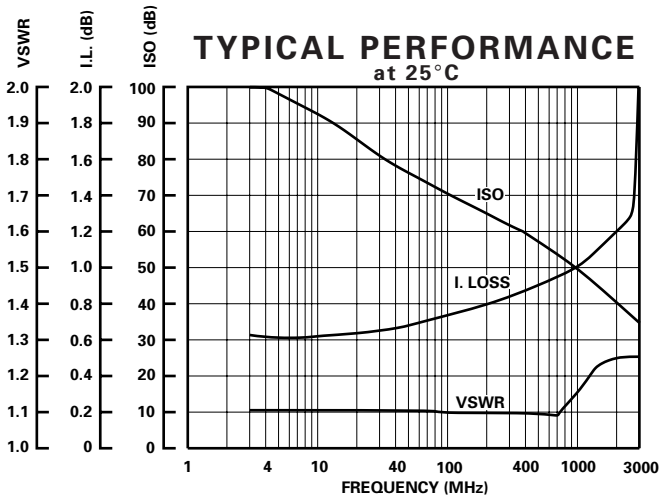
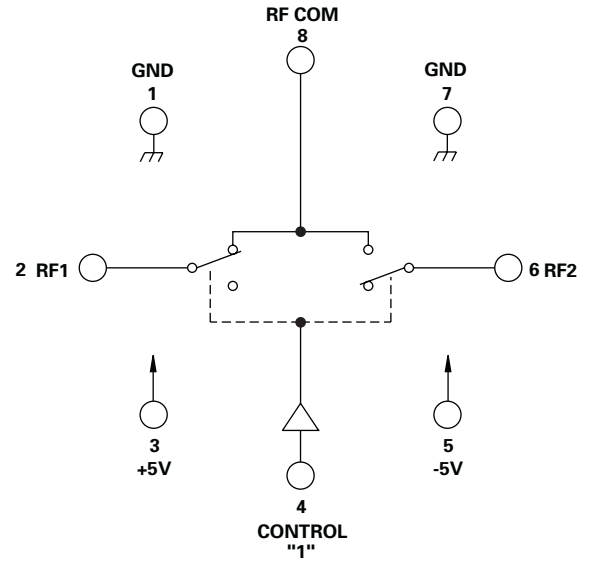
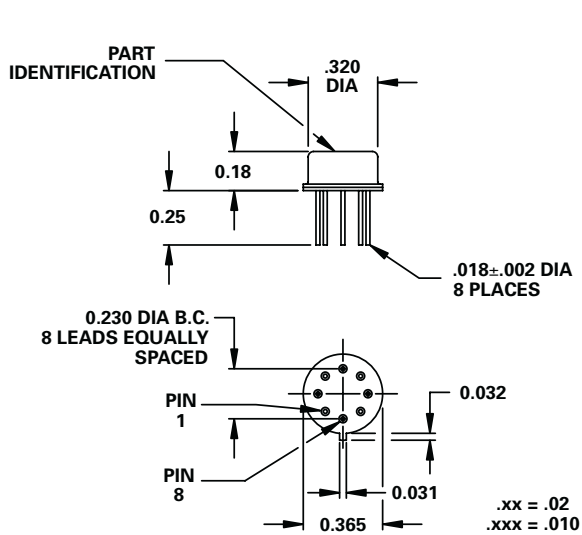
- DC - 2000 MHz
- < 1mA, ±5 VDC
- 17 nSec Switching Speed
- High Isolation
- TTL Driver
- Ultra Small TO-5 Package



**MODEL NO.  
DSW21965**

**GaAs SP2T**

**SP2T**



LOGIC TABLE	
TTL Control	RF Com To:
1	RF1
0	RF2

## GUARANTEED PERFORMANCE

Parameter	Min	Typ	Max	Units	Conditions
Operating Frequency	DC		2000	MHz	
DC Current		0.3	1	mA	AT +5 VDC Supply
		0.01	1	mA	AT -5 VDC Supply
Control Type		TTL			1 Line Logic "0" = RF COM to RF 2 Logic "1" = RF COM to RF 1
Control Current	High	1	±40	µA	VIH = +2.7V
	Low	1	±40	µA	VIL = +0.5V
Insertion Loss		1.0	1.5	dB	DC - 1000 MHz
		1.2	1.7	dB	1000 - 2000 MHz
Isolation	60	70		dB	DC - 100 MHz
	50	58		dB	100 - 500 MHz
	30	42		dB	500 - 2000 MHz
VSWR		1.15/1	1.2/1		DC - 500 MHz
		1.25/1	1.5/1		500 - 2000 MHz
Impedance		50		OHMS	
Switching Speed		17	150	nSEC	50% TTL to 90% / 10% RF
Transition (Rise/Fall) Time		4		nSEC	10% / 90% or 90% / 10% RF
Switching (Video) Transients		20		mV	Peak Value
Intercept Points	2nd	+80		dBm	70 MHz / 50 MHz
	3rd	+43		dBm	35 MHz / 50 MHz
RF Power	Operate	+12	+10	dBm	0.1 dB Comp. Above 20 MHz
	No Damage		+30	dBm	
Operating Temperature	-55	+25	+125	°C	TA

This datasheet has been download from:

[www.datasheetcatalog.com](http://www.datasheetcatalog.com)

Datasheets for electronics components.