

KLM - 064MA - 16B

This module designed for light emitting display device. Organize with 16 x 32 matrix combination with 512 of each Red, Green LED Chips, for indoor use.

FEATURES

- Active display size : 64mm x 128mm
- Dot size : $\phi 3$
- Dot pitch : 4mm
- Display color : RED, GREEN, AMBER(Mixed color)
- Duty rate : 1/16
- Dot matrix : 512(16 x 32)
- Weight : 150g(Typ.)
- With a simple serial - inter face.

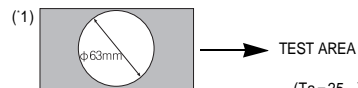
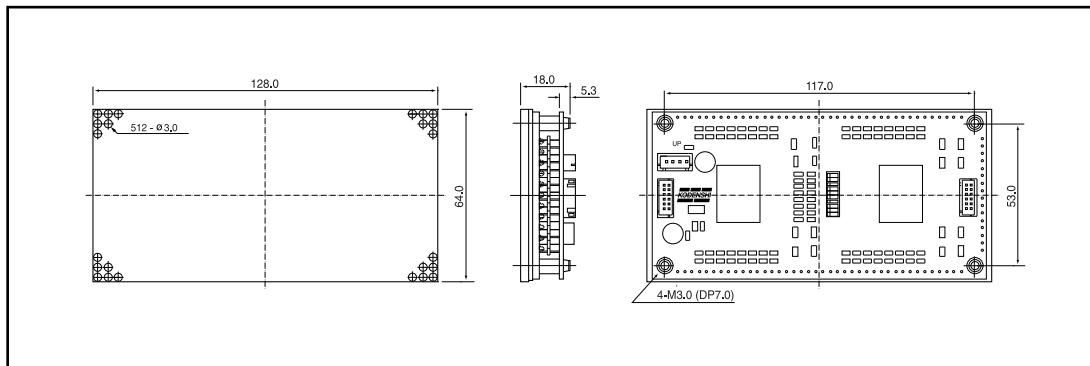
MAXIMUM RATINGS

(Ta=25)

ITEM	SYMBOL	RATING	UNIT	COND.
Power dissipation	P_D	25	W	
Supply voltage(DRIVE)	V_{DD}	6	V	
Supply voltage(LED)	V_{LED}	6	V	
Logic input power	V_{in}	- 0.5 ~ V_{DD}	V	
Junction Temp.	T_J	115		
Operating Temp.	T_{opr}	- 20 ~ +60		
Storage Temp.	T_{stg}	- 20 ~ +65		

DIMENSIONS

(Unit : mm)



OPTICAL CHARACTERISTICS

(Ta=25)

ITEM	SYMBOL	CONDITION	MIN.	TYP.	MAX.	UNIT.
Bright - ness(16x 16)	GREEN	$V_{DD}=5V$	-	120	-	cd/m^2
	RED		-	100	-	
	AMBER		-	180	-	
Dot - Balance	GREEN	$V_{LED}=5V$	-	-	2	-
	RED		-	-	2	
	AMBER		-	-	2	
Emission Wavelength	GREEN		-	565	-	nm
	RED		-	630	-	
Spectrum half - band	GREEN		-	25	-	nm
	RED		-	40	-	

