

**FUJITSU**

CMOS INPUT/OUTPUT EXPANDER

MBL 82C43April 1986
Edition 2.1

CMOS INPUT/OUTPUT EXPANDER

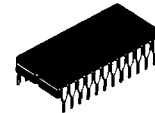
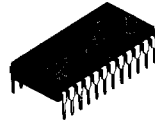
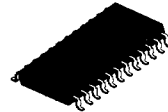
The Fujitsu MBL 82C43 is an input/output expander designed specifically to provide a low cost means of I/O expansion for the MBL 8048 series of single-chip microcomputers. Fabricated in 5 volts CMOS, the MBL 82C43 combines low cost single supply voltage and high drive current capability. Also, the MBL 82C43 is packaged in a 24-pin cerdip, plastic DIP, or plastic flat package (SOP).

The MBL 82C43 consists of four 4-bit bidirectional static I/O ports and one 4-bit port which serves as an interface to the MBL 8048 series microcomputers. The 4-bit interface requires that only 4 I/O lines of the MBL 8048/8049/80C49/8749 be used for I/O expansion, and also allows multiple MBL 82C43's to be added to the same bus.

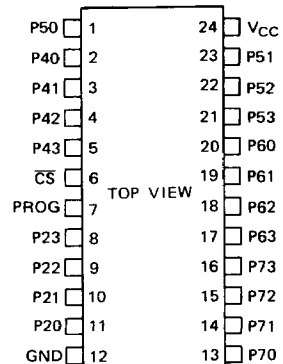
The I/O ports of the MBL 82C43 serve as a direct extension of the resident I/O facilities of the MBL 8048 series microcomputers and are accessed by their own MOVD, ANLD, and ORLD instructions.

FEATURES

- CMOS Version of Fujitsu MBL 8243.
- Simple Interface to Fujitsu MBL 8048 Series and Intel MCS-48*
- Four 4-Bit I/O Ports.
- AND and OR Directly to Ports.
- High Current Drive: 5 mA at 0.45 V
20 mA at 1.0 V
- On-Chip Power-On Reset Circuit
- Single +5 V Power Supply.
- Silicon-gate CMOS Process
- Three Package Options:
 - Standard 24-pin Cerdip (Suffix:-CZ)
 - Standard 24-pin Plastic DIP (Suffix:-P)
 - Standard 24-pin Plastic SOP (Suffix:-PF)
- Pin-Compatible with Fujitsu MBL 8243 and Intel 8243.

**CERAMIC DIP
DIP-24C-C01****PLASTIC DIP
DIP-24P-M01****PLASTIC SOP
FPT-24P-M02**

PIN ASSIGNMENT



This device contains circuitry to protect the inputs against damage due to high static voltages or electric fields. However, it is advised that normal precautions be taken to avoid application of any voltage higher than maximum rated voltages to this high impedance circuit.

* Trade Mark of Intel Corporation
Portions Reprinted by permission of Intel Corporation
© Intel Corporation, 1980

Fig. 1 – LOGIC SYMBOL

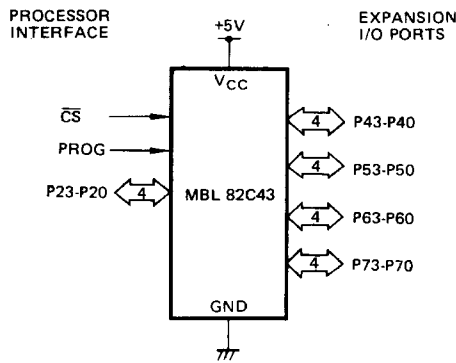
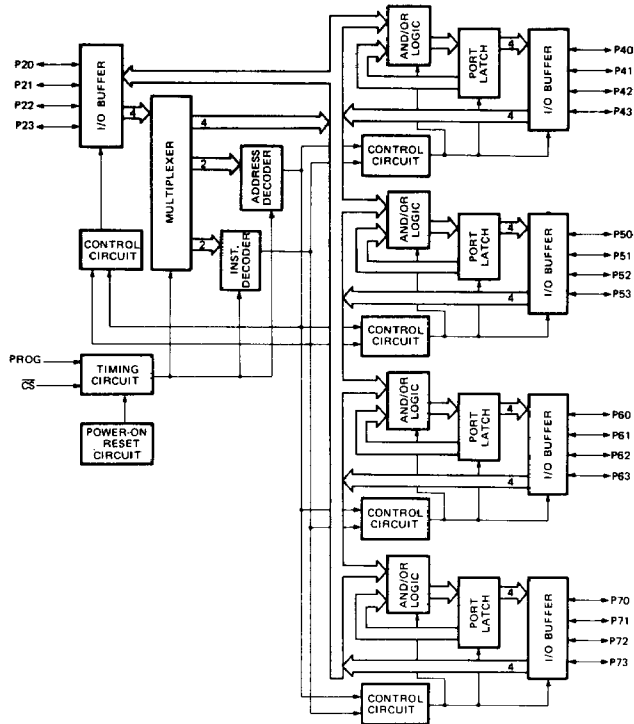


Fig. 2 – BLOCK DIAGRAM



PIN DESCRIPTION

The MBL 82C43 has two interfaces: One is the processor interface; \overline{CS} , PROG, and Port 2, which are used for the processor to communicate with the MBL 82C43 device. Another is the expansion I/O ports; Ports 4, 5, 6, and 7, which serve as an expansion of the processor's I/O.

Table 1-Pin Description

Symbol	Pin No.	Type	Function
V _{CC}	24	—	+5 V supply.
GND	12	—	0 V supply.
\overline{CS}	6	I	Chip Select input: A high on \overline{CS} inhibits any change of output or internal status.
PROG	7	I	Clock input: A high-to-low transition on PROG signifies that address and control are available on P20-P23, and a low-to-high transition signifies that data is available on P20-P23.
P20 – P23	11 to 8	I/O	Port 2: Four (4) bit bi-directional port contains the address and control bits on a high-to-low transition of PROG. During a low-to-high transition contains the data for a selected output port if a write operation, or the data from a selected port before the low-to-high transition if a read operation.
P40 – P43 P50 – P53 P60 – P63 P70 – P73	2 to 5 1, 23 to 21 20 to 17 13 to 16	I/O	Ports 4, 5, 6, and 7: Four (4) bit bi-directional I/O ports. May be programmed to be input (during read), low impedance latched output (after write), or a tri-state (after read). Data on pins P20-P23 may be directly written, ANDed or ORed with previous data.

FUNCTIONAL DESCRIPTION

GENERAL OPERATION

The MBL 82C43 contains four 4-bit I/O ports which serve as an extension of the on-chip I/O and are addressed as ports 4-7. The following operations may be performed on these ports:

- Transfer Accumulator to Port.
- Transfer Port to Accumulator.
- AND Accumulator to Port.
- OR Accumulator to Port.

All communication between the MBL 8048 series and the MBL 82C43 occurs over Port 2 (P20 – P23) with timing provided by an output pulse on the PROG pin of the processor. Each transfer consists of two 4-bit nibbles:

The first containing the "op code" and port address and the second containing the actual 4-bits of data. A high-to-low transition of the PROG line indicates that address is present while a low-to-high transition indicates the presence of data. Additional MBL 82C43's may be added to the 4-bit bus and chip selected using additional output lines from the MBL 8048 series microcomputers.

POWER ON INITIALIZATION

Initial application of power to the device forces input/output ports 4, 5, 6, and 7 to the tri-state and port 2 to the input mode. The PROG pin may be either high or low when power is applied. The first high-to-low transition of PROG causes device to exit power on mode. The power on sequence is initiated if V_{CC} drops below 1 V.

P21	P20	Address Code	P23	P22	Instruction Code
0	0	Port 4	0	0	Read
0	1	Port 5	0	1	Write
1	0	Port 6	1	0	ORLD
1	1	Port 7	1	1	ANLD

WRITE MODES

The device has three write modes. MOVD Pi, A directly writes new data into the selected port and old data is lost. ORLD Pi, A takes new data, OR's it with the old data and then writes it to the port. ANLD Pi, A takes new data, AND's it with the old data and then writes it to the port. Operation code and port address are latched from the input port 2 on the high-to-low transition of the PROG pin. On the low-to-high transition of PROG data on port 2

is transferred to the logic block of the specified port. After the logic manipulation is performed, the data is latched and outputted. The old data remains latched until new valid outputs are entered.

READ MODE

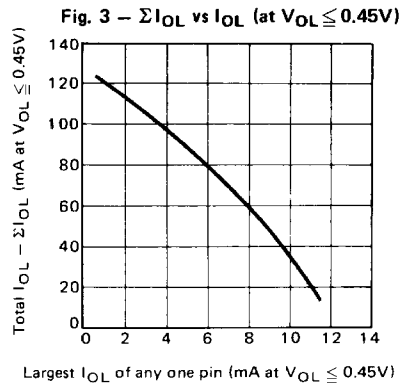
The device has one read mode. The operation code and port address are latched from the input port 2 on the high-to-low transition of the PROG pin. As soon as the read operation and port address are decoded, the appropriate outputs are tri-stated, and the input buffers switched on. The read operation is terminated by a low-to-high transition of the PROG pin. The port (4, 5, 6 or 7) that was selected is switched to the tri-stated mode while port 2 is returned to the input mode.

Normally, a port will be in an output (write mode) or input (read mode). If modes are changed during operation, the first read following a write should be ignored; all following reads are valid. This is to allow the external driver on the port to settle after the first read instruction removes the low impedance drive from the MBL 82C43 output. A read of any port will leave that port in a high impedance state.

SINK CAPABILITY

The MBL 82C43 can sink 5 mA at 0.45 V on each of its 16 I/O lines simultaneously. If, however, all lines are not sinking simultaneously or all lines are not fully loaded, the drive capability of any individual line increases as is shown by the accompanying curve.

2



For example, if only 5 of the 16 lines are to sink current at one time, the curve shows that each of those 5 lines is capable of sinking 9 mA at 0.45 V (if any lines are to sink 9 mA the total I_{OL} must not exceed 45 mA or five 9 mA loads).

Example: How many pins can drive 5 TTL loads (1.6 mA) assuming remaining pins are unloaded?

$$I_{OL} = 5 \times 1.6 \text{ mA} = 8 \text{ mA}$$

$$\Sigma I_{OL} = 60 \text{ mA from curve}$$

$$\# \text{ pins} = 60 \text{ mA} \div 8 \text{ mA/pin} = 7.5 = 7$$

In this case, 7 lines can sink 8 mA for a total of 56 mA. This leaves 4 mA sink current capability which can be divided in any way among the remaining 8 I/O lines of the MBL 82C43.

Example: This example shows how the use of the 20 mA sink capability of Port 7 affects the sinking capability of the other I/O lines.

An MBL 82C43 will drive the following loads simultaneously.

- 2 loads – 20 mA at 1 V (port 7 only)
 - 8 loads – 4 mA at 0.45 V
 - 6 loads – 3.2 mA at 0.45 V
- Is this within the specified limits?

$$\Sigma I_{OL} = (2 \times 20) + (8 \times 4) + (6 \times 3.2) = 91.2 \text{ mA.}$$

From the curve: for $I_{OL} = 4 \text{ mA}$, $\Sigma I_{OL} \approx 93 \text{ mA}$.
 since $91.2 \text{ mA} < 93 \text{ mA}$ the loads are within specified limits.

Although the 20 mA at 1 V loads are used in calculating ΣI_{OL} , it is the largest current required at 0.45 V which determines the maximum allowable ΣI_{OL} .

TYPICAL APPLICATION

Fig. 4 - I/O EXPANDER INTERFACE

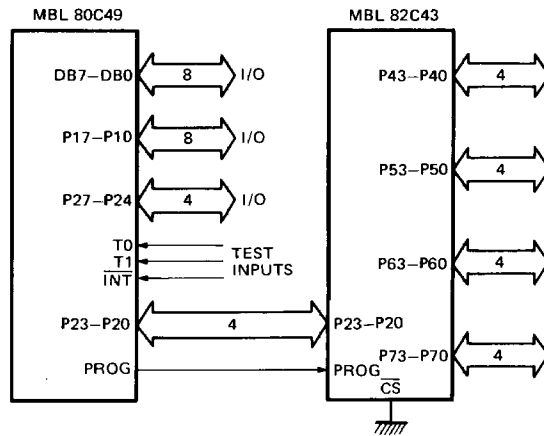
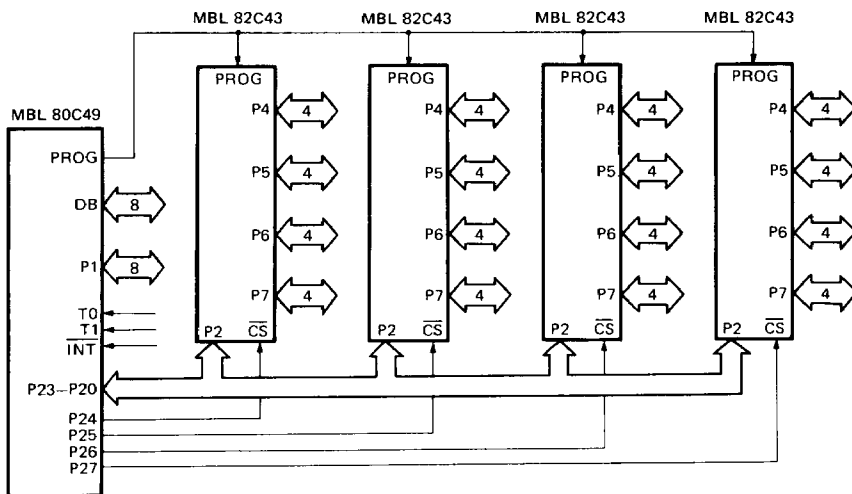


Fig. 5 - MULTIPLE I/O EXPANDER INTERFACE



2



ABSOLUTE MAXIMUM RATINGS

Parameter	Symbol	Rating	Unit
Supply Voltage	V _{CC}	GND -0.3 to +7.0	V
Input Voltage	V _{IN}	GND -0.3 to +7.0*	
Ambient Temperature under Bias	T _A	-40 to +85	°C
Storage Temperature	T _{stg}	-55 to +150	
Power Dissipation	P _D	1	W

NOTE:

Permanent device damage may occur if ABSOLUTE MAXIMUM RATINGS are exceeded. Functional operation should be restricted to the conditions as detailed in the operational sections of this data sheet. Exposure to ABSOLUTE MAXIMUM RATINGS conditions for extended periods may affect device reliability.

* V_{IN} should not exceed V_{CC} + 0.3V.

RECOMMENDED OPERATING CONDITIONS

Parameter	Symbol	Value	Unit	Note
Supply Voltage	V _{CC}	+5 ±10%	V	Normal Operation
		3.5 to 6.0		Standby Operation
	GND	0	V	
Operating Temperature	T _A	-40 to +85	°C	

DC CHARACTERISTICS

(V_{CC} = +5V ±10%, GND = 0V, T_A = -40°C to +85°C)

Parameter	Symbol	Conditions	Value			Unit
			Min	Typ	Max	
Input Low Voltage	V _{IL}		GND -0.3		0.8	V
Input High Voltage	V _{IH}		2.2		V _{CC} +0.3	V
Output Low Voltage	V _{OL1}	Ports 4 to 7 I _{OL} = 5mA			0.45	V
	V _{OL2}	Ports 4 to 7 I _{OL} = 20mA			1.0	V
	V _{OL3}	Port 2 I _{OL} = 0.6mA			0.45	V
Output High Voltage	V _{OH1}	Ports 4 to 7 I _{OH} = -240µA	2.4			V
	V _{OH2}	Port 2 I _{OH} = -100µA	2.4			V
Input Leakage Current	I _{IL1}	Ports 4 to 7 GND ≤ V _{IN} ≤ V _{CC}	-10		20	µA
	I _{IL2}	Port 2, CS, PROG GND ≤ V _{IN} ≤ V _{CC}	-10		10	µA
Total I _{OL} of 16 Outputs	ΣI _{OL}	I _{OUT} = 5mA at each pin of Ports 4 to 7			80	mA
Supply Current	I _{CC1}	All outputs open, Normal operation		200	600	µA
	I _{CC2}	All outputs open, Standby operation		1	10	µA

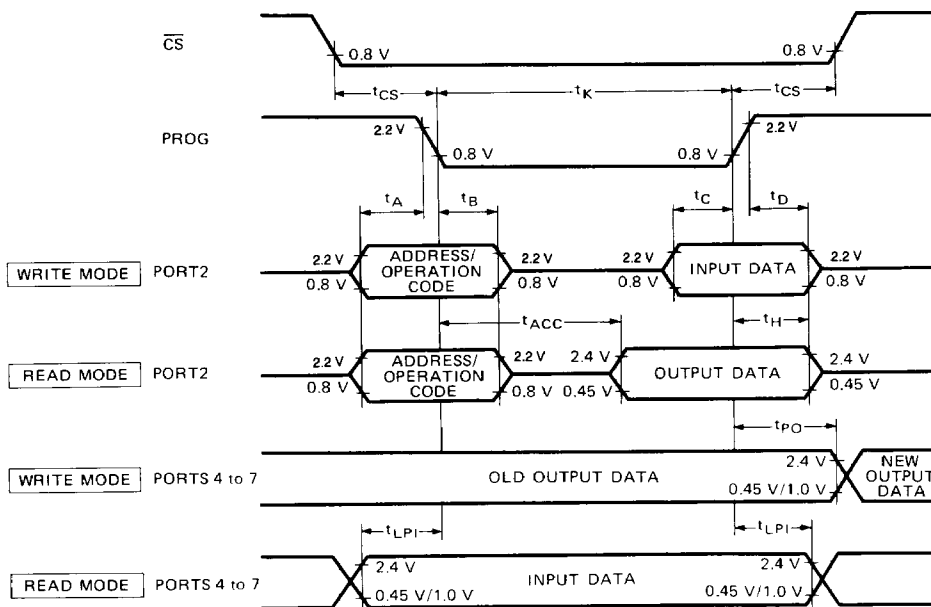


AC CHARACTERISTICS

($V_{CC} = +5V \pm 10\%$, $GND = 0V$, $T_A = -40^\circ C$ to $+85^\circ C$)

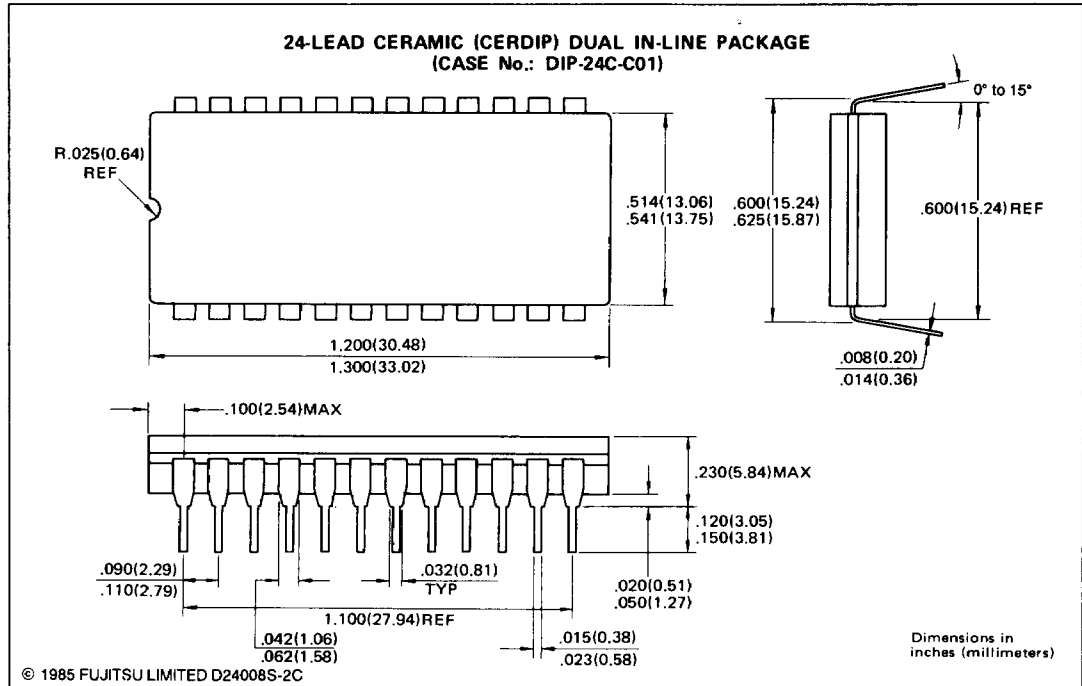
Parameter	Symbol	Condition	Value			Unit
			Min	Typ	Max	
Address/Operation Code Setup Time	t_A	$C_L = 80pF$	100			ns
Address/Operation Code Hold Time	t_B	$C_L = 20pF$	60			ns
Data Setup Time	t_C	$C_L = 80pF$	200			ns
Data Hold Time	t_D	$C_L = 20pF$	20			ns
Port 2 Floating Time	t_H	$C_L = 20pF$	0		150	ns
PROG Pulse Width	t_K		700			ns
\overline{CS} Setup/Hold Times	t_{CS}		50			ns
Ports 4 to 7 Output Delay Time	t_{PO}	$C_L = 100pF$			700	ns
Ports 4 to 7 Setup/Hold Times	t_{LPI}		100			ns
Port 2 Output Delay Time	t_{ACC}	$C_L = 80pF$			650	ns

Fig. 6 – TIMING DIAGRAM



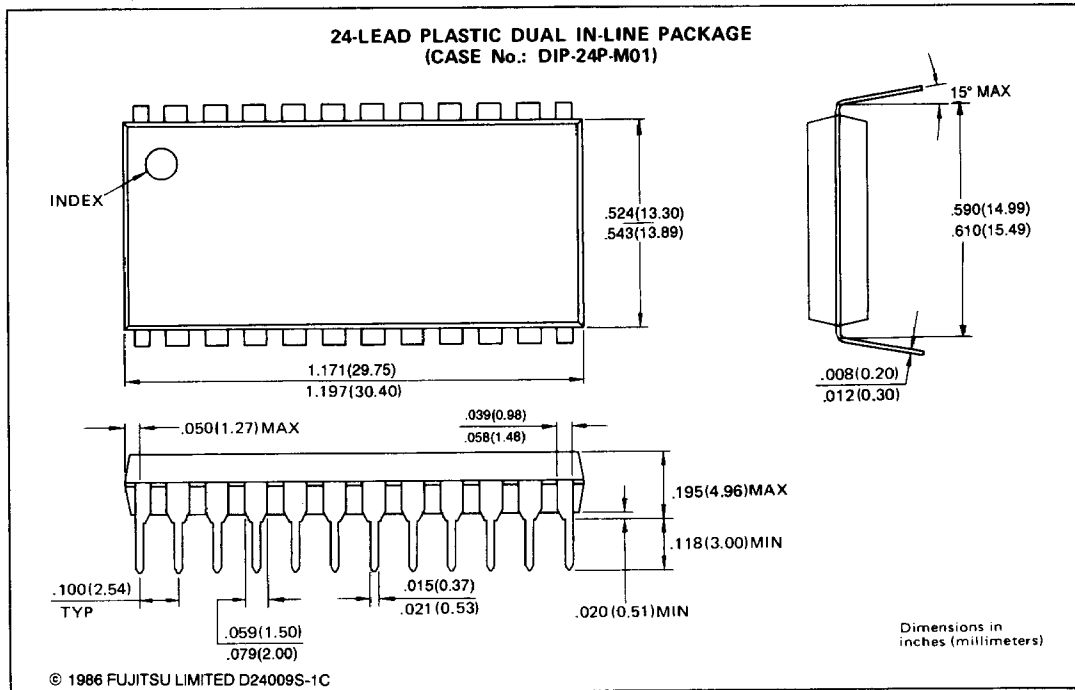
PACKAGE DIMENSIONS

CERAMIC DIP (Suffix:-CZ)



PACKAGE DIMENSIONS

PLASTIC DIP (Suffix-P)





MBL 82C43

PACKAGE DIMENSIONS

PLASTIC SOP (Suffix:-PF)

