

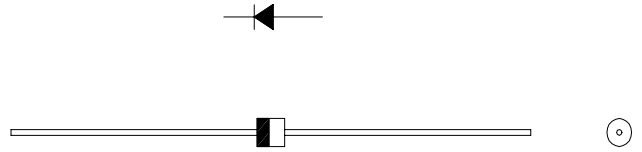
# DIODE Type : 10EDA60

1A 600V  $T_j = 150\text{ }^\circ\text{C}$

OUTLINE DRAWING

## FEATURES

- \* Miniature Size
- \* Low Forward Voltage drop
- \* Low Reverse Leakage Current
- \* High Surge Capability
- \* 26mm and 52mm Inside Tape Spacing Package Available



## Maximum Ratings

Approx Net Weight:0.17g

Rating	Symbol	10EDA60			Unit
Repetitive Peak Reverse Voltage	$V_{RRM}$	600			V
Average Rectified Output Current	$I_O$	50Hz Half Sine Wave Resistive Load	$T_a=39^\circ\text{C}$ *1	1.0	A
			$T_a=26^\circ\text{C}$ *2	0.9	
RMS Forward Current	$I_{F(RMS)}$	1.57			A
Surge Forward Current	$I_{FSM}$	50Hz Half Sine Wave, 1 cycle, Non-repetitive			45 A
Operating Junction Temperature Range	$T_{jw}$	- 40 to + 150			$^\circ\text{C}$
Storage Temperature Range	$T_{stg}$	- 40 to + 150			$^\circ\text{C}$

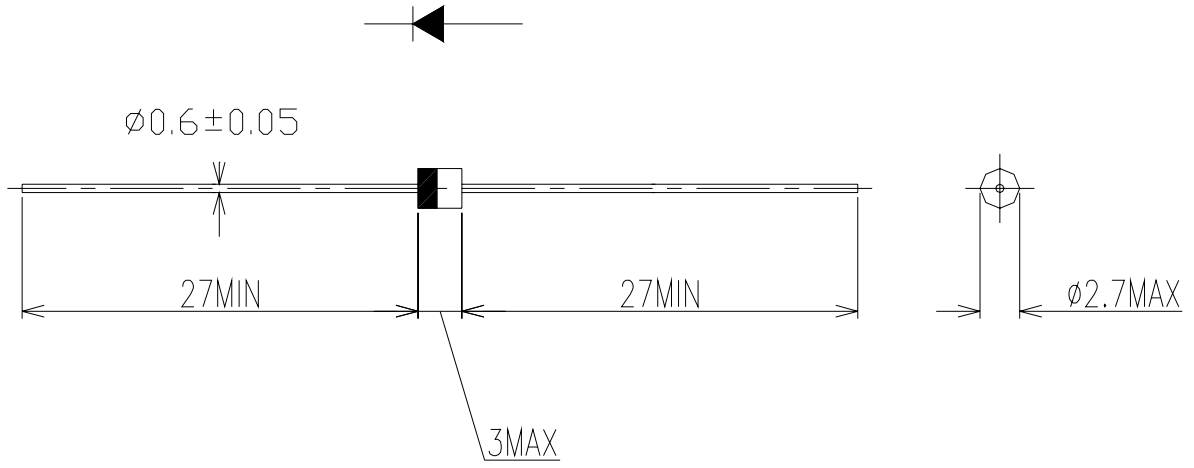
## Electrical • Thermal Characteristics

Characteristics	Symbol	Conditions	Min.	Typ.	Max.	Unit
Peak Reverse Current	$I_{RM}$	$T_j = 25^\circ\text{C}$ , $V_{RM} = V_{RRM}$	-	-	10	$\mu\text{A}$
Peak Forward Voltage	$V_{FM}$	$T_j = 25^\circ\text{C}$ , $I_{FM} = 1.0\text{A}$	-	-	1.0	V
Thermal Resistance	$R_{th(j-a)}$	Junction to P.C. Board mounted*1	-	-	110	$^\circ\text{C/W}$
		Ambient Without Fin *2	-	-	140	

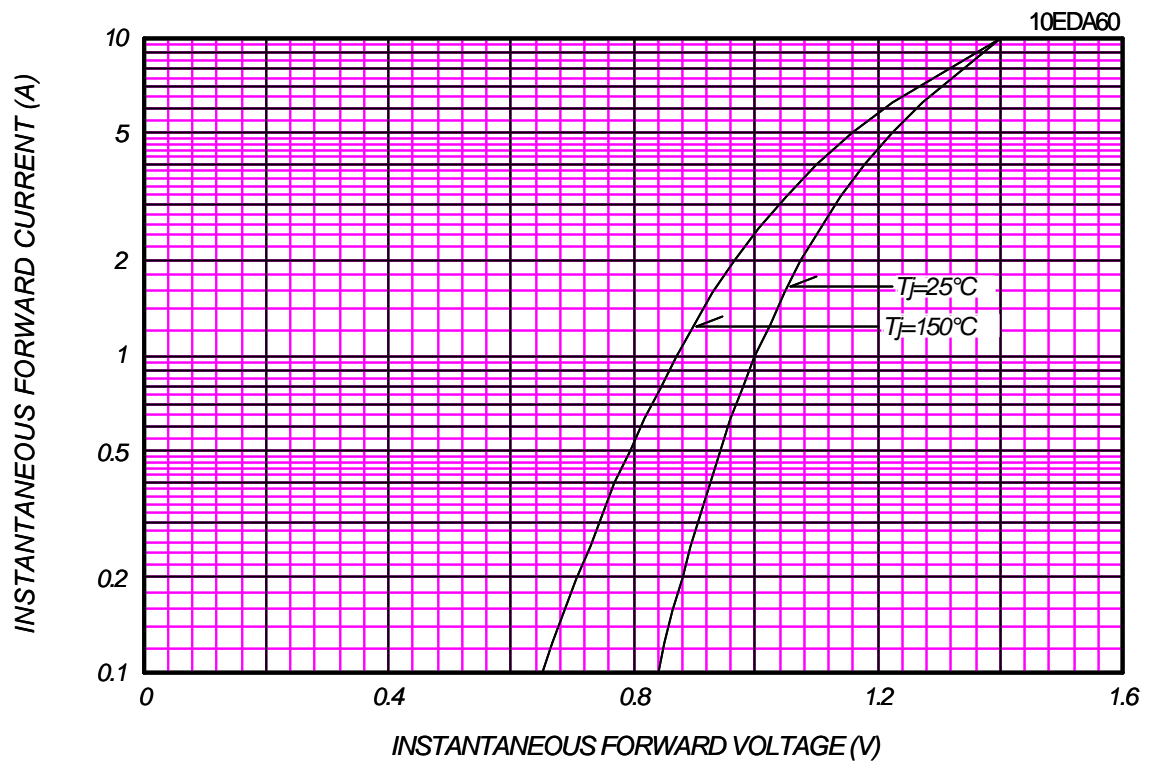
\*1: P.C. Board mounted (L=3mm, Print Land=5 x 5mm, Both Sides)

\*2: Without Fin or P.C. Board mounted

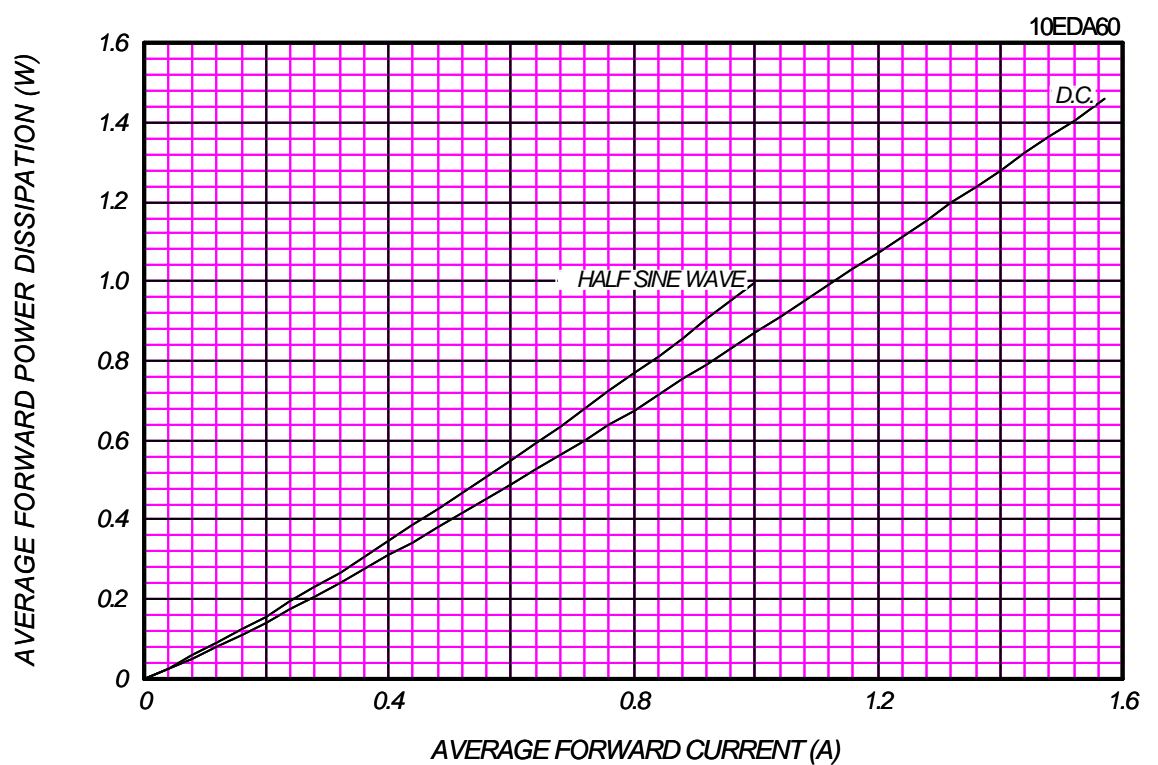
10EDA OUTLINE DRAWING (Dimensions in mm)



### FORWARD CURRENT VS. VOLTAGE



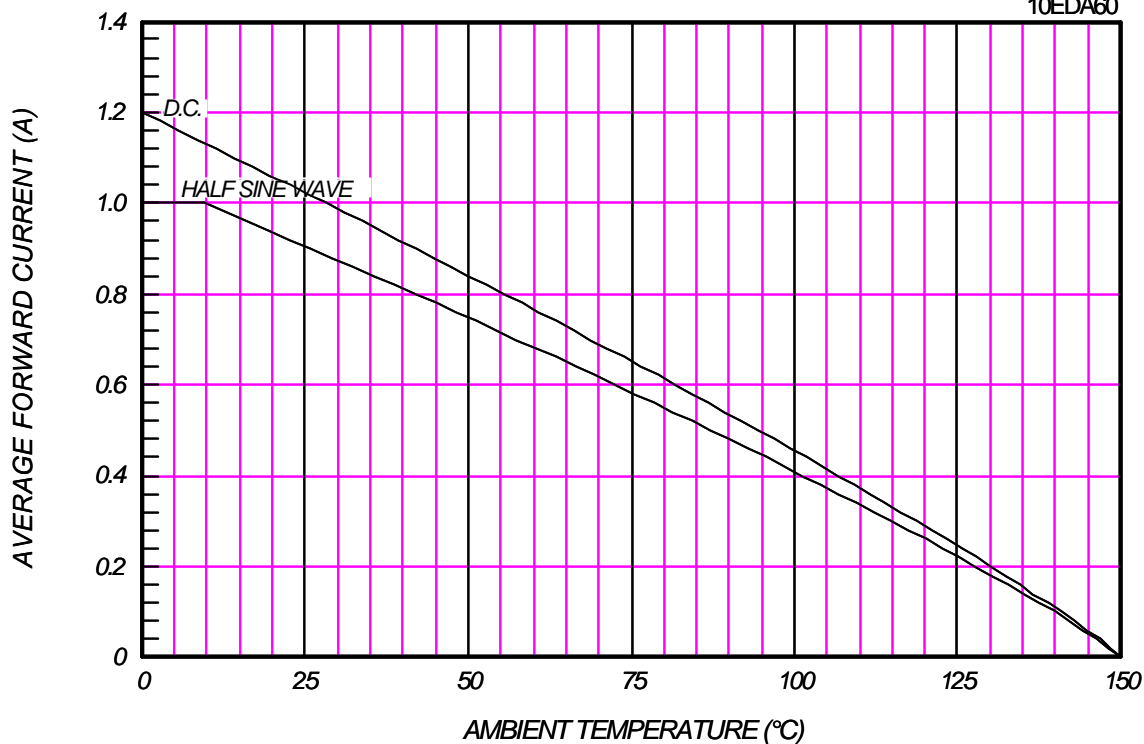
### AVERAGE FORWARD POWER DISSIPATION



### AVERAGE FORWARD CURRENT VS. AMBIENT TEMPERATURE

Without Fin or P.C. Board

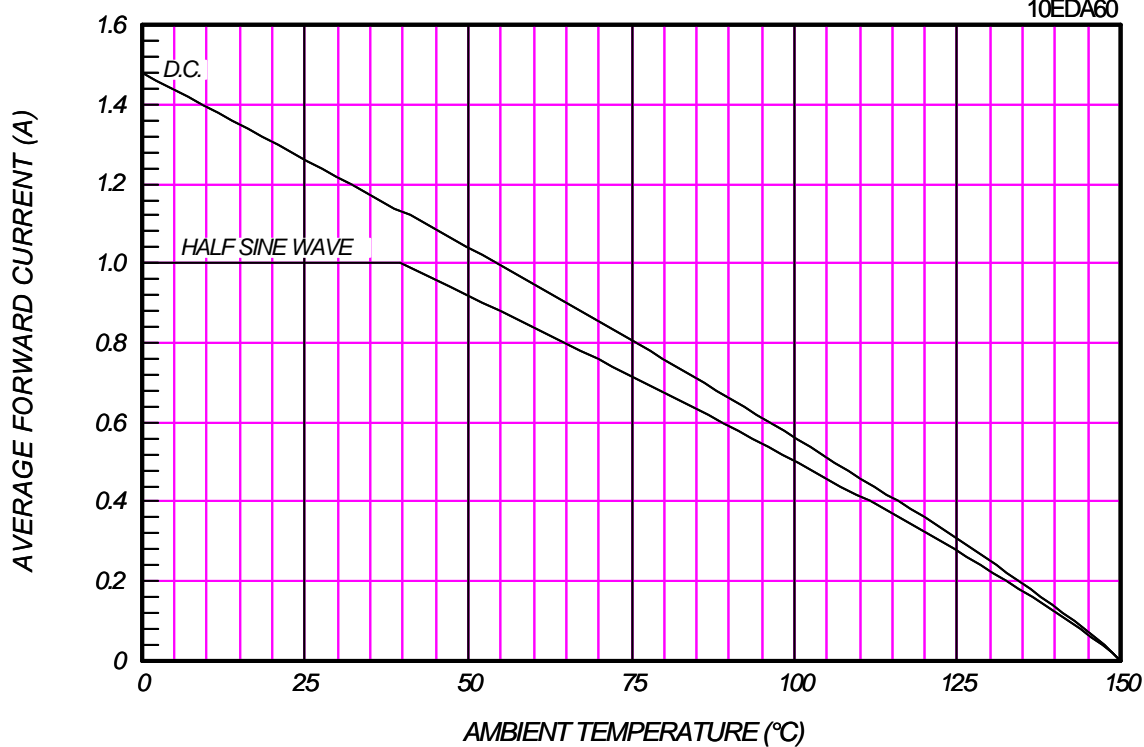
10EDA60



### AVERAGE FORWARD CURRENT VS. AMBIENT TEMPERATURE

P.C. Board mounted (L=3mm,Print Land=5x5mm,Both Sides))

10EDA60



# SURGE CURRENT RATINGS

f=50Hz, Half Sine Wave, Non-Repetitive, No Load

10EDA60

