

AN3592K, AN3592S

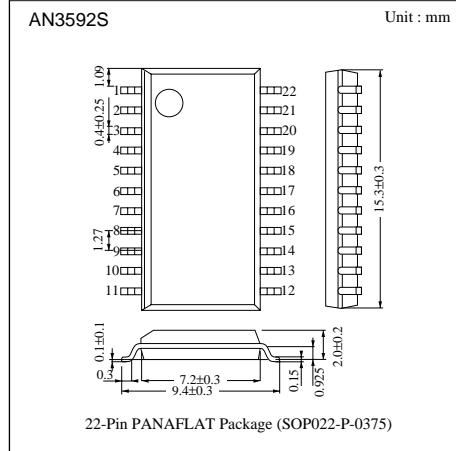
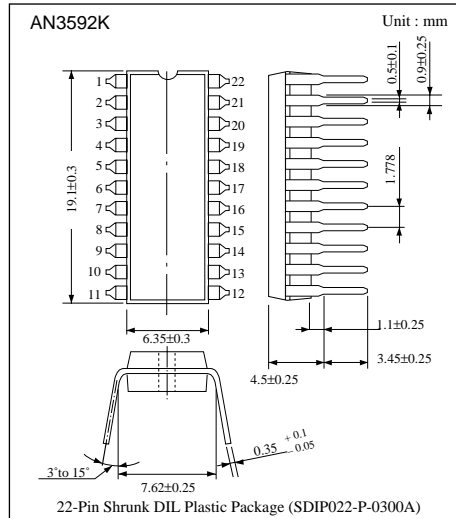
Jumping Correction ICs for PAL VCR

■ Overview

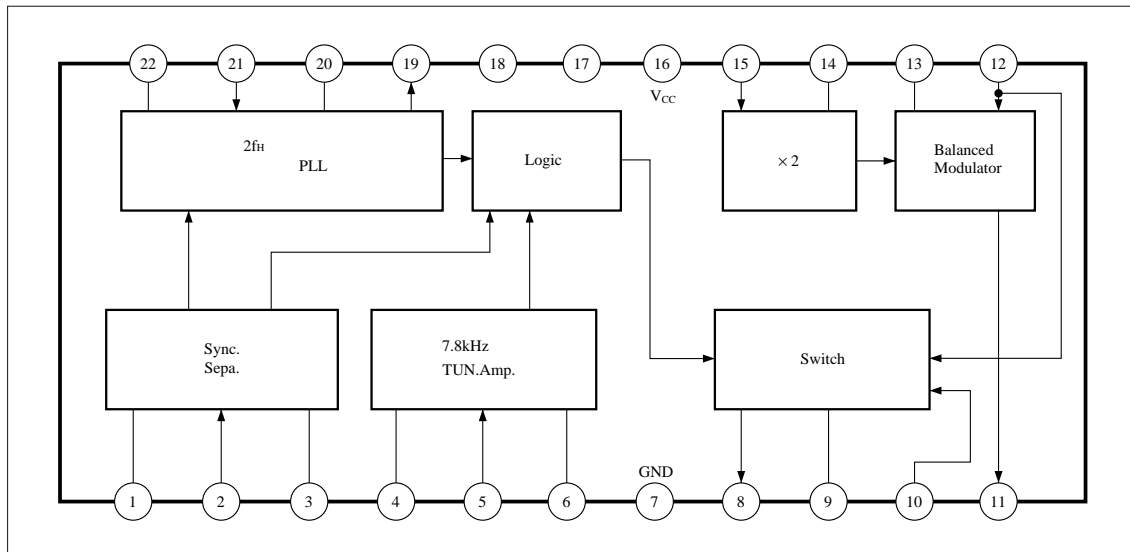
The AN3592K and AN3592S are ICs for correcting a waveform distortion generated at LP mode special playback for PAL VCRs.

■ Features

- The AN3592K and AN3592S have the following functions : Video signal 0.5H discontinuous point detection circuit. Chroma signal phase dislocation detection/correction circuit
- Supply voltage : 5V.



■ Block Diagram



■ Pin Descriptions

Pin No.	Pin name	Pin No.	Pin name
1	V. killer	12	Chroma input
2	Sync. sepa. input	13	B.M. bias
3	Sync. sepa. filter	14	8.86MHz tuned coil
4	7.8kHz tuned coil	15	4.43MHz input
5	APC error input	16	V _{CC}
6	APC error bias	17	1/2H M.M.
7	GND	18	1/2H jump output
8	Chroma output	19	P.C. output
9	CTL. input	20	VCO cap.
10	LPF input	21	VCO input
11	LPF output	22	VCO resistor

■ Absolute Maximum Ratings (Ta =25°C)

Parameter		Symbol	Rating	Unit
Supply voltage		V _{CC}	6.0	V
Power dissipation		P _D	200	mW
Operating ambient temperature		T _{opr}	-20 to +75	°C
Storage temperature	AN3592K	T _{stg}	-55 to +150	°C
	AN3592S		-55 to +125	

■ Electrical Characteristics (V_{CC}=5V, Ta=25°C)

Parameter	Symbol	Condition	min	typ	max	Unit
Supply current	I _{CC}		13	18.5	24	mA
Direct output voltage	V _{OD}	Chroma 300mV _{P-P} direct mode	440	510	580	mV _{P-P}
Inverted/direct output voltage ratio	R _{ID}	4.43MHz input 250mV _{P-P}	-0.5	+1	+2.5	dB
Inversion mode leak	V _{OIL}	Chroma 300mV _{P-P} inversion mode	0	10	55	mV _{P-P}
2nd harmonics spurious	V _{O2L}	Chroma input 4.43MHz, input 300mV _{P-P}	0	5	15	mV _{P-P}
Switch amp. leak	V _{OSL}	Pin10 input 300mV _{P-P} direct mode	0	1.5	5	mV _{P-P}
SYNC. SEP. minimum input	V _{SSP}	APL 0%	—	150	200	mV _{P-P}
2 _m PLL ref. oscillation voltage	V _{OSC}	Oscillation freq. 15.6kHz	2	2.4	2.8	V
2 _m PLL pull-in rage	f _P		15.1	15.6	16.1	kHz
2 _m PLL VCO control sensitivity	S _{VCO}		9.2	11.5	15.0	Hz/mV
APC error input minimum level	V _{APC}		—	25	40	mV _{P-P}
1/2H.M.M. threshold value	V _{MTH}		2.2	2.5	2.8	V
Direct mode hold voltage	V _{CTL-D}		0	—	0.7	V
Inversion mode holding voltage	V _{CTL-I}		2	—	3.5	V
Active mode hold voltage	V _{CTL-A}		4.7	—	5	V

■ Application Circuit

