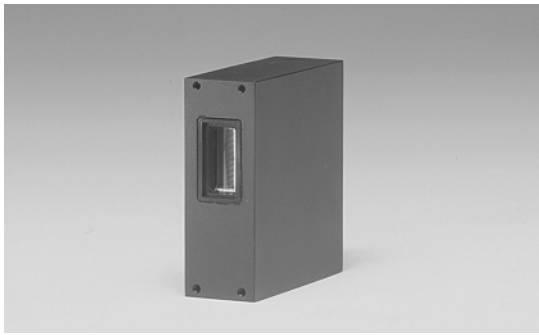


# Compact Side-on PMT

## Photosensor Modules H7710/H8567 Series



The H7710/H8567 series photosensor modules contain a high-voltage power supply circuit and a 13-mm (1/2") diameter side-on photomultiplier tube in a compact aluminum housing. The 13-mm (1/2") side-on photomultiplier tube has a reflection mode photocathode that delivers high quantum efficiency at wavelengths above 600 nm, an adequate gain of up to  $10^7$  and fast time response. A high S/N ratio can be obtained even when measuring extremely low level light at high speeds.

The H7710 series uses a Cockcroft-Walton circuit with low power consumption, while the H8567 series has a high-voltage power supply circuit comprised of a Cockcroft-Walton circuit and an active divider circuit to shorten the settling time. Select the desired type that meets your application. Five types are available according to the required spectral response range. Flexible cables are used for easy installation in equipment.

### Product Variations

Type No.	Spectral Response	Features
H7710-11	H8567-01	185 nm to 750 nm
H7710-12	H8567-02	185 nm to 900 nm
H7710-13	H8567-03	185 nm to 900 nm
H7710-14	H8567-04	185 nm to 830 nm
H7710-15	H8567-05	185 nm to 650 nm

### Specifications

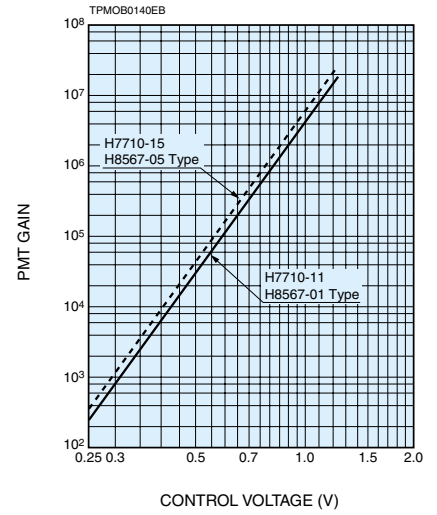
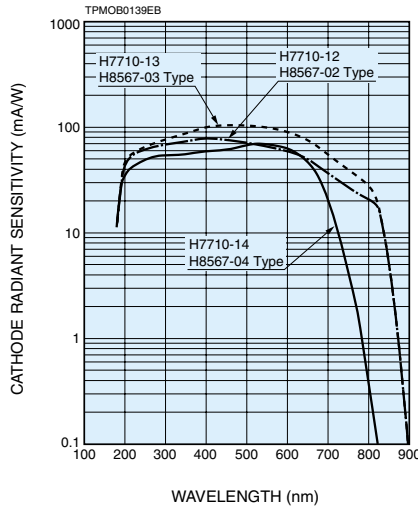
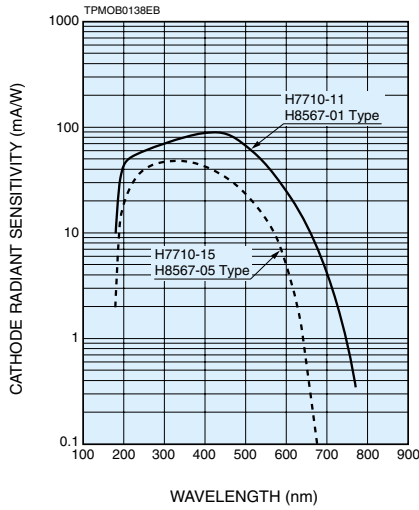
Parameter		H7710 / H8567 Series					Unit	
Suffix	H7710 Series	-11	-12	-13	-14	-15	—	
	H8567 Series	-01	-02	-03	-04	-05		
Input Voltage		+11.5 to +15.5					V	
Max. Input Voltage		+18					V	
Max. Input Current	H7710 Series	7					mA	
	H8567 Series	25						
Max. Output Signal Current		10					$\mu$ A	
Max. Control Voltage		+1.2 (Input impedance H7710 Series: 1 M $\Omega$ , H8567 Series: 100 k $\Omega$ )					V	
Recommended Control Voltage Adjustment Range		+0.25 to +1.0					V	
Effective Area		3.7 $\times$ 13.0					mm	
Sensitivity Adjustment Range		1: $10^4$					—	
Peak Sensitivity Wavelength		420	400	450	530	340	nm	
Cathode	Luminous Sensitivity	Min.	80	200	350	140	20	$\mu$ A/lm
		Typ.	120	300	500	200	40	
	Blue Sensitivity Index (CS 5-58)		10	—	—	—	5	—
	Red/White Ratio		—	0.3	0.4	0.15	—	—
Radiant Sensitivity *1		90	77	105	70	48	mA/W	
Anode	Luminous Sensitivity *2	Min.	100	400	1000	300	50	A/lm
		Typ.	700	2000	2000	700	300	
	Radiant Sensitivity *1 *2		$5.2 \times 10^5$	$5.2 \times 10^5$	$4.2 \times 10^5$	$2.5 \times 10^5$	$3.6 \times 10^5$	A/W
	Dark Current *2 *3	Typ.	1	1	2	0.1	0.5	nA
Max.		10	10	10	1	5		
Rise Time *2		1.4					ns	
		H7710 Series			H8567 Series			
Ripple Noise *2 *4 (peak to peak)	Max.	0.6			0.6		mV	
Settling Time *5		10			0.2		s	
Operating Ambient Temperature		+5 to +50			+5 to +45		$^{\circ}$ C	
Storage Temperature		-20 to +50					$^{\circ}$ C	
Weight		100					g	

\*1: Measured at the peak sensitivity wavelength    \*2: Control voltage = +1.0 V    \*3: After 30 minute storage in darkness

\*4: Cable RG-174/U, Cable length 450 mm, Load resistance = 1 M $\Omega$ , Load capacitance = 22 pF

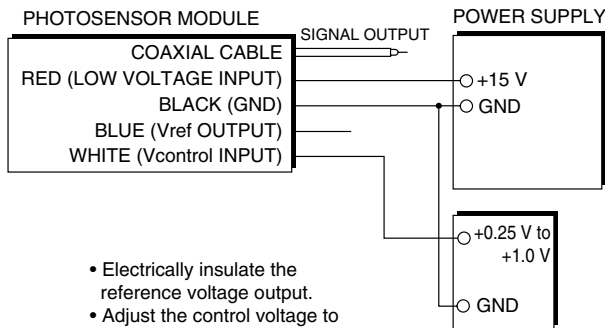
\*5: The time required for the output to reach a stable level following a change in the control voltage from +1.0 V to +0.5 V.

## Characteristics (Cathode radiant sensitivity, PMT gain)

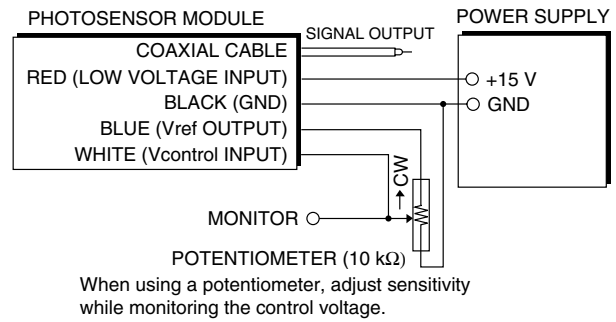


## Sensitivity Adjustment Method

### Voltage Programming

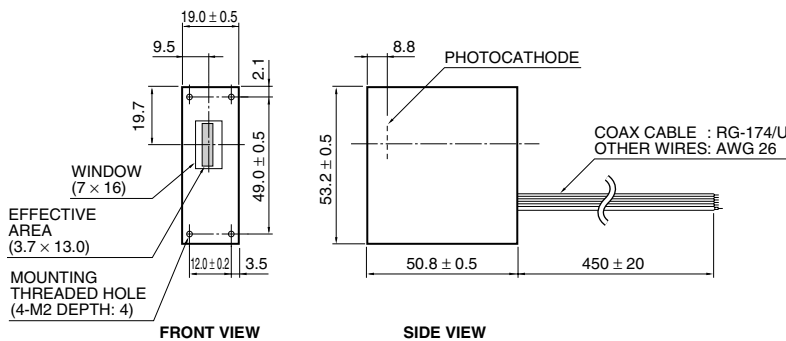


### Resistance Programming



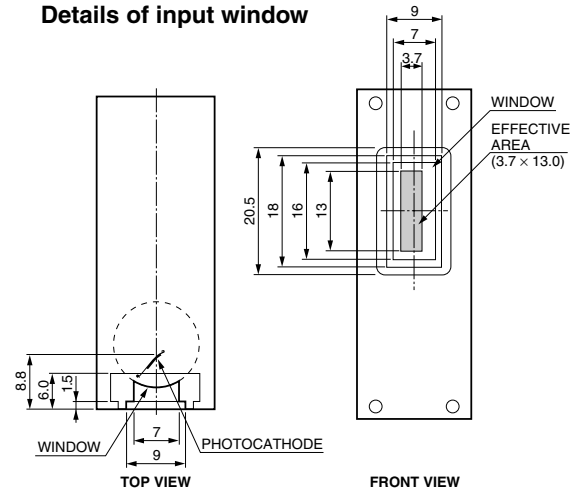
TPMOC0146EB

## Dimensional Outlines (Unit: mm)



TPMOA0013ED

### Details of input window



TPMOA0018ED