

TLA3853 is a 1 : 1 line matching transformer with the following features.

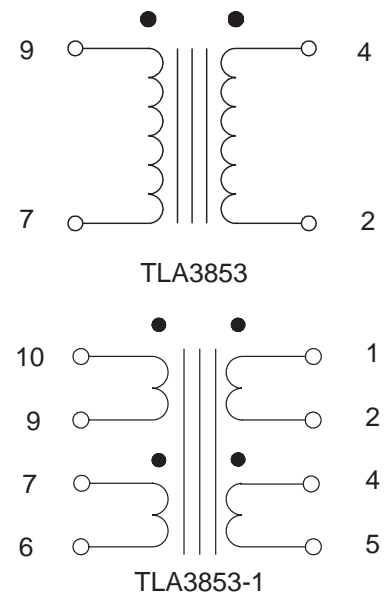
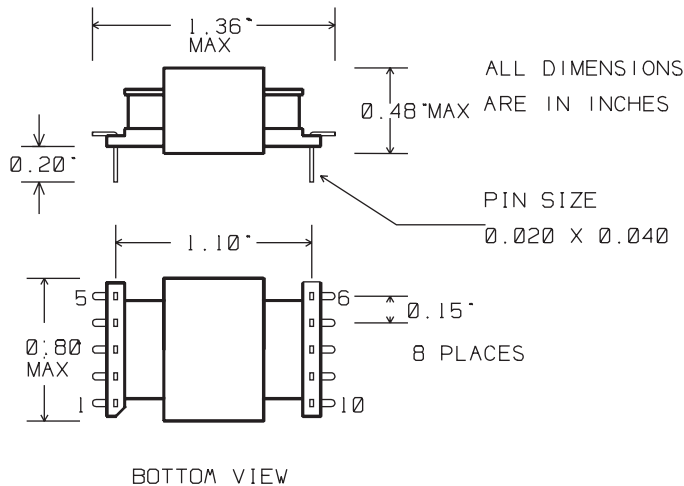
- Low profile
- DC loop current capability.
- Conforms to FCC part 68, Canadian CS 03 regulations.
- High voltage insulation between input and output windings.

Applications:

Line matching in 600 & 900 Ω circuits with up to 100 mA loop current capability.



MECHANICAL



ELECTRICAL

TLA3853

TLA3853-1

	Ohms	TLA3853	TLA3853-1	
Impedance		600 : 600	150/150:150/150	
Insertion Loss		1.5 dB	1.5 dB	@ 1000 Hz
Frequency Response		< 1.0 dB	< 1.0 db	300 - 5000 Hz
Longitudinal Balance		> 65 dB	> 65 dB	300 - 5000 Hz
Winding Resistance	nom.	94 Ω (9-7)	94 Ω (6-10)	
	nom.	113 Ω (2-4)	113 Ω (1-5)	
Return loss	@ 80mA DC	>11 dB	> 11 dB	300 - 5000 Hz
Dielectric Strength		1500 Vrms	1500 Vrms	

ISSUE: D 95/04/11 TLA3853