

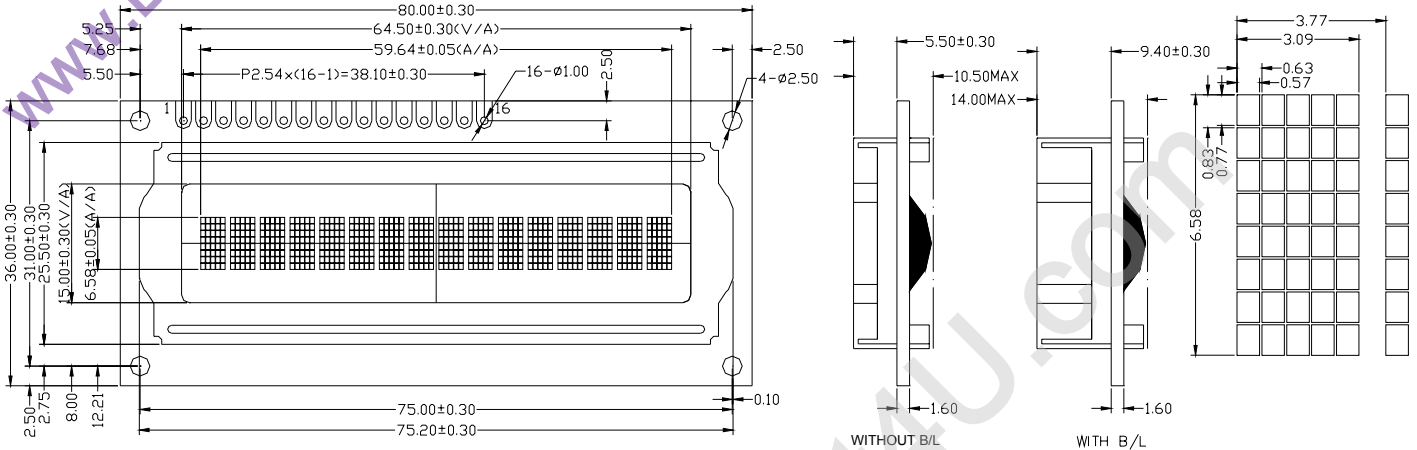
YC-1601A Series

液晶之友 电话: 020-33819057
http://www.lcdfriends.com

1. Mechanical Specifications

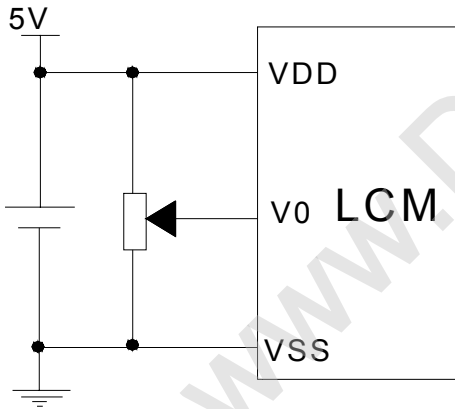
Display Area(mm)		Outline(mm)
16CharactersX11Lines		Outline Dimension: 80(W)X36(H)
Duty: 1/16	Dot Size: 0.57(W)X0.77(H)	Thickness With B/L: 14Max
Viewing Area: 64.5(W)X15.0(H)	Dot Pitch: 0.63(W)X0.83(H)	Thickness Without B/L: 10.5Max

2. External Dimension

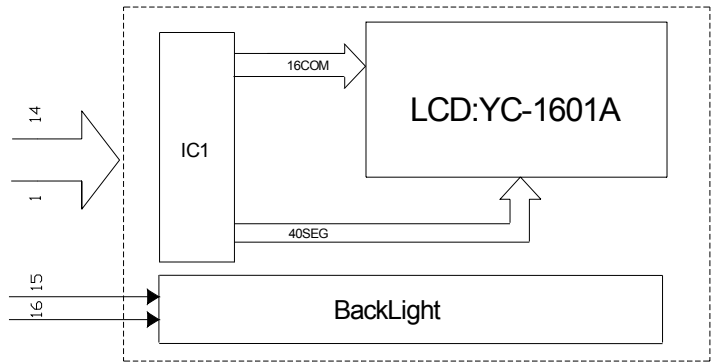


PIN	1	2	3	4	5	6	7	8	9	10	11	12	13	14	15	16
NAME	VSS	VDD	V0	RS	R/W	E	DB0	DB1	DB2	DB3	DB4	DB5	DB6	DB7	LED+	LED-

3. Power Supply



4. Block Diagram



5. Electrical Characteristics

Item	Symbol	Min.	Typ.	Max.	Unit	Condition
Supply Voltage(Logic)	Vdd	4.5	5	5.5	V	
Supply Current(Logic)	Idd	-	-	3	mA	Vdd=5V
LCD Operating Voltage	Vop	-	4.5	-	V	Ta=25°C
Supply Current for LCD	Iee	-	-	3	mA	Vdd=5V
Power Supply for B/L	V _{B/L}	-	4.2	-	V	