

# YC-1601B Series

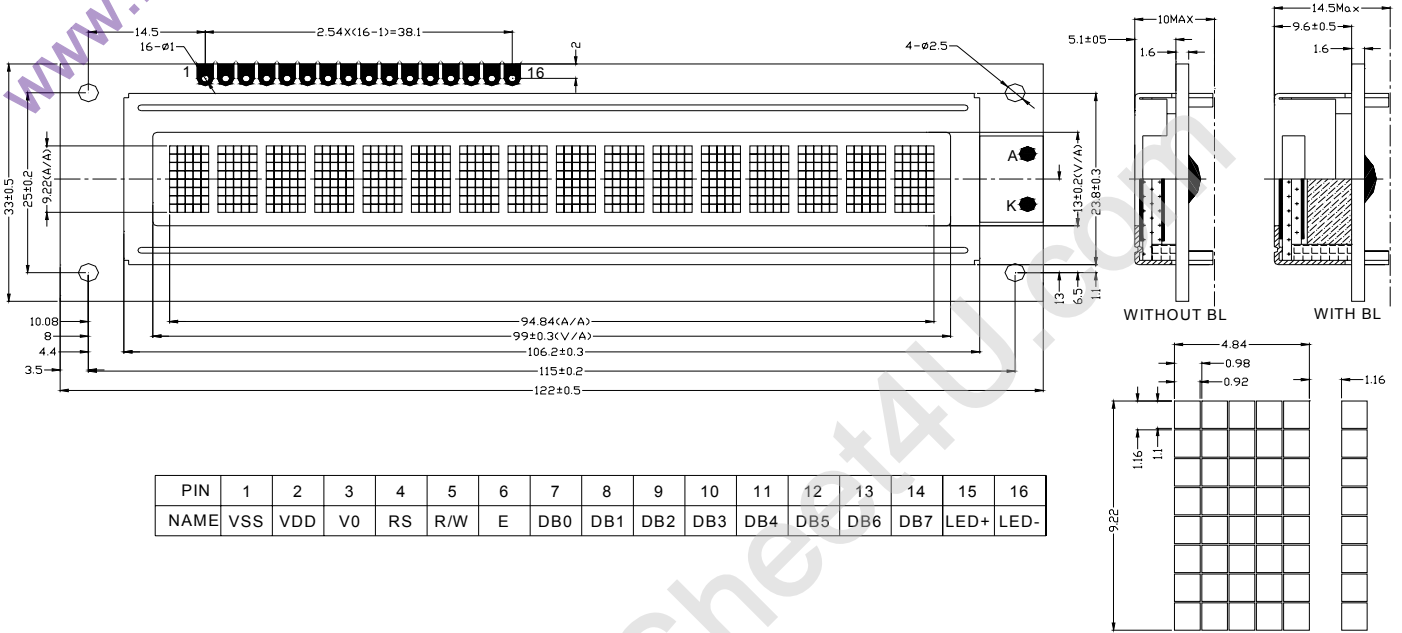
液晶之友 电话: 020-33819057

<http://www.lcdfriends.com>

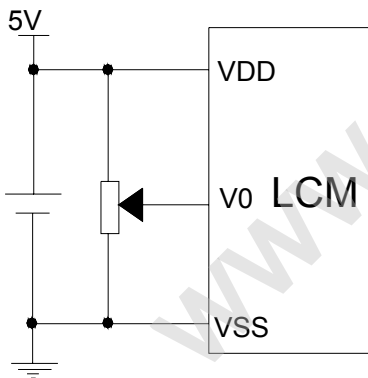
## 1. Mechanical Specifications

Display Area(mm)	Outline(mm)
16CharactersX11Lines Active Area: 4.84(W)X9.22(H)	Outline Dimension: 122(W)X33(H)
Duty: 1/16 Dot Size: 0.92(W)X1.1(H)	Thickness With B/L: 14.5Max
Viewing Area:99(W)X13(H) Dot Pitch: 0.98(W)X1.16(H)	Thickness Without B/L:10Max

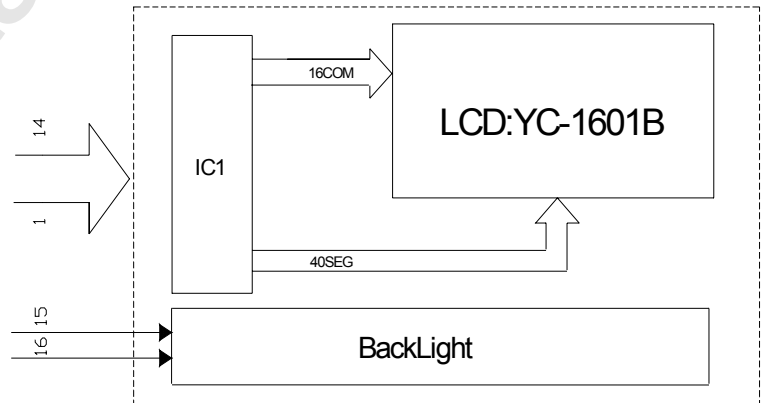
## 2. External Dimension



## 3. Power Supply



## 4. Block Diagram



## 5. Electrical Characteristics

Item	Symbol	Min.	Typ.	Max.	Unit	Condition
Supply Voltage(Logic)	V <sub>dd</sub>	4.5	5	5.5	V	
Supply Current(Logic)	I <sub>dd</sub>	-	-	3	mA	V <sub>dd</sub> =5V
LCD Operating Voltage	V <sub>op</sub>	-	4.5	-	V	T <sub>a</sub> =25°C
Supply Current for LCD	I <sub>ee</sub>	-	-	3	mA	V <sub>dd</sub> =5V
Power Supply for B/L	V <sub>B/L</sub>	-	4.2	-	V	