

AF-09664B

•96 x 64 dots 1/65 Duty

FEATURE

- 1.Construction : LCD panel and COF IC.
- 2.Display type : FSTN, Positive, High transparency P3 Polarizer , Transflective, 12 oclock view
- 3.Driver : IC ST7565S
- 4.2.8V single power input.
- 5.Extended temperature type.

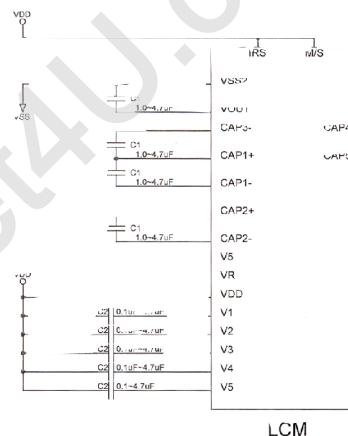
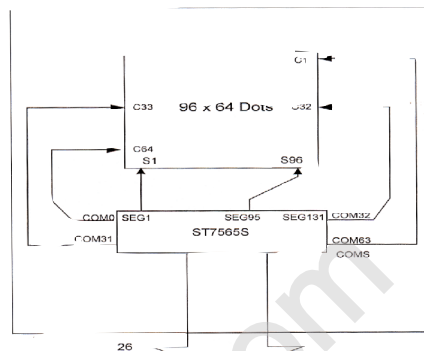
ELECTRICAL CHARACTERISTICS

Parameter	Symbol	Condition	Typ.Value	Unit.
LCD Driving Voltage	V0-VSS	25°C	10.1	V
Supply Current	IDD	VDD=2.8V	0.2	mA

INTERFACE

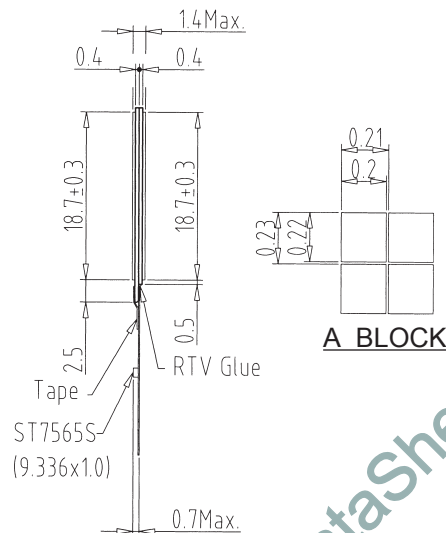
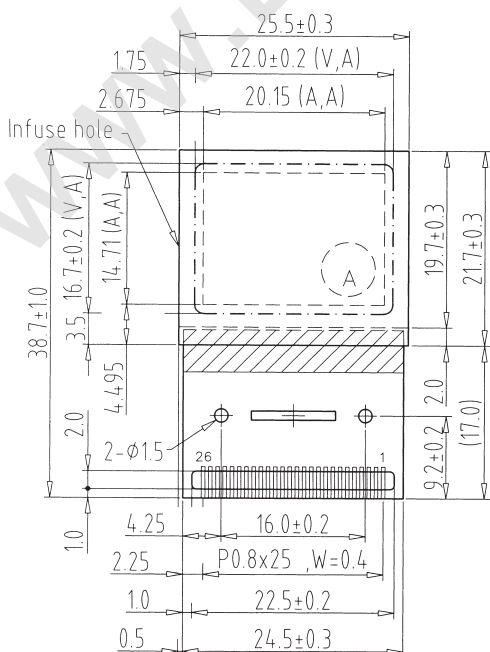
1	2	3	4	5	6	7	8
/CS1	/RES	A0	/WR	/RD	D0	D1	D2
9	10	11	12	13	14	15	16
D3	D4	D5	D6	D7	VDD	VSS	VOUT
17	18	19	20	21	22	23	24
CAP3-	CAP1+	CAP1-	CAP2-	CAP2+	V1	V2	V3
25	26						
V4	V5						

BLOCK DIAGRAM & POWER SUPPLY



<Voltage convert : 4 times>

Item	Value
C1	1.0 to 4.7 uF/ 16V
C2	0.1 to 4.7 uF/ 16V



A BLOCK