



## Reset Circuit with Fixed Delay

### Description

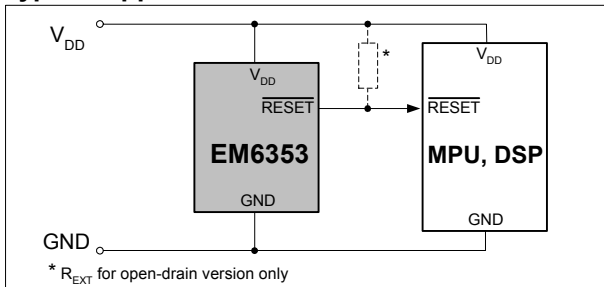
The EM6353 is an ultra-low current reset circuit available in a large variety of configurations and very small packages for maximum flexibility in all end-applications up to 125°C and using power supplies between 1.5V and 5.5V.

This circuit monitors the supply voltage of any electronic system, and generates the appropriate reset signal after a fixed reset timeout period. The threshold defines the minimum allowed voltage which guarantees the good functionality of the system. When  $V_{DD}$  rises above  $V_{TH}$ , the output remains active for an additional delay time. This allows the system to stabilize before getting fully active.

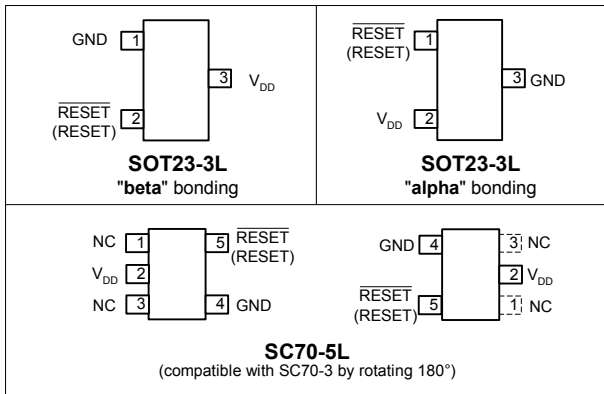
The EM6353 features three output types: active-low push-pull, active-low open-drain and active-high push-pull.

Small SC70-5L and SOT23-3L packages as well as ultra-low supply current of 2.9µA make the EM6353 an ideal choice for portable and battery-operated devices.

### Typical Application



### Pin Configuration (top view)



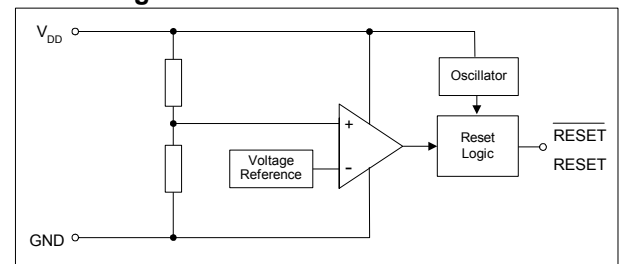
### Features

- 200ms reset timeout period (25ms on request)
- Ultra-low supply current of 2.9µA ( $V_{DD}=3.3V$ )
- Operating temperature range: -40°C to +125°C
- ±1.5% reset threshold accuracy
- 11 reset threshold voltages  $V_{TH}$ : 4.63V, 4.4V, 3.08V, 2.93V, 2.63V, 2.2V, 1.8V, 1.66V, 1.57V, 1.38V, 1.31V
- 3 reset output options:
  - Active-low  $\overline{RESET}$  push-pull
  - Active-low  $\overline{RESET}$  open-drain
  - Active-high RESET push-pull
- No external components
- Immune to short negative  $V_{DD}$  transients
- Guaranteed Reset valid down to 0.8V
- Threshold hysteresis: 2.1% of  $V_{TH}$
- Very small SOT23-3L and SC70-5L packages

### Applications

- Mobile phones
- Set-top boxes
- Video, digital cameras, DVD players and recorders
- Modems
- Personal computers
- Switching hubs
- Copiers and fax
- Utility meters
- Automotive systems

### Block Diagram



### Pin Description

Pin			Name	Function
SOT23-3L "beta"	SOT23-3L "alpha"	SC70-5L		
1	3	4	GND	Ground
2	1	5	$\overline{RESET}$	Active-low $\overline{RESET}$ output. $\overline{RESET}$ remains low for the reset timeout period after all reset conditions are deasserted and then goes high.
			RESET	Active-high RESET output. RESET remains high for the reset timeout period after all reset conditions are deasserted and then goes low.
3	2	2	$V_{DD}$	Supply Voltage (5.5V max.)
-	-	1,3	N.C.	Not connected. Not internally connected.



## Ordering Information

<p><b>Delay (<math>t_{POR}</math>):</b>  <b>B = 200ms</b>          A = 25ms</p> <p><b>Reset Output Type:</b>          X = Active-low /RES push-pull          Y = Active-low /RES open-drain          Z = Active-high RES push-pull</p> <p><b>Package &amp; Bonding:</b>          1SP3B = SOT23-3, "alpha", Tape&amp;Reel 3kpcs          2SP3B = SOT23-3, "beta", Tape&amp;Reel 3kpcs          SC5B = SC70-5, Tape&amp;Reel 3kpcs</p>	<p><b>RoHS Compliance:</b>          + = lead-free/green mold compliant          [blank] = leaded</p> <p><b>Reset Threshold Voltage (<math>V_{TH}</math>):</b></p> <table border="0"> <tr><td>1.3 = 1.31V</td><td>2.6 = 2.63V</td></tr> <tr><td>1.4 = 1.38V</td><td>2.9 = 2.93V</td></tr> <tr><td>1.6 = 1.57V</td><td>3.1 = 3.08V</td></tr> <tr><td>1.7 = 1.66V</td><td>4.4 = 4.40V</td></tr> <tr><td>1.8 = 1.80V</td><td>4.6 = 4.63V</td></tr> <tr><td>2.2 = 2.20V</td><td></td></tr> </table>	1.3 = 1.31V	2.6 = 2.63V	1.4 = 1.38V	2.9 = 2.93V	1.6 = 1.57V	3.1 = 3.08V	1.7 = 1.66V	4.4 = 4.40V	1.8 = 1.80V	4.6 = 4.63V	2.2 = 2.20V	
1.3 = 1.31V	2.6 = 2.63V												
1.4 = 1.38V	2.9 = 2.93V												
1.6 = 1.57V	3.1 = 3.08V												
1.7 = 1.66V	4.4 = 4.40V												
1.8 = 1.80V	4.6 = 4.63V												
2.2 = 2.20V													

**Note:** Subject to availability (see standard versions list below). Please give complete Part Number when ordering. All parts are offered in tape-and-reel only (3000 units).

## Standard Versions (Top Marking)

Part Number	Top Marking <sup>1)</sup>	Top Marking <sup>2)</sup> with 4 Characters
EM6353BX1SP3B-1.3 EM6353BX1SP3B-2.6 EM6353BX1SP3B-2.6+ EM6353BX1SP3B-2.9 EM6353BX1SP3B-2.9+ EM6353BX1SP3B-4.4	C1##	ALBA ALBG BLBG ALBH BLBH ALBK
EM6353BX1SP3B-4.4+ EM6353BX1SP3B-4.6 EM6353BX1SP3B-4.6+ EM6353BX2SP3B-1.3 EM6353BX2SP3B-1.8 EM6353BX2SP3B-1.8+	C2##	BLBK ALBL BLBL ALWA ALWE BLWE
EM6353BX2SP3B-2.6 EM6353BX2SP3B-2.6+ EM6353BX2SP3B-2.9 EM6353BX2SP3B-2.9+ EM6353BX2SP3B-3.1 EM6353BX2SP3B-3.1+	AW## BW## AR## BR## PC## C5##	ALWG BLWG ALWH BLWH ALWJ BLWJ
EM6353BX2SP3B-4.4 EM6353BX2SP3B-4.4+ EM6353BX2SP3B-4.6 EM6353BX2SP3B-4.6+ EM6353BXSC5B-1.3 EM6353BXSC5B-1.8	C8##	ALWK BLWK ALWL BLWL ALWA ALWE
EM6353BXSC5B-2.6 EM6353BXSC5B-2.6+ EM6353BXSC5B-2.9 EM6353BXSC5B-3.1	AW## BW## AR## PC##	ALWG BLWG ALWH ALWJ

Part Number	Top Marking <sup>1)</sup>	Top Marking <sup>2)</sup> with 4 Characters
EM6353BXSC5B-3.1 EM6353BXSC5B-4.6 EM6353BY1SP3B-2.2 EM6353BY1SP3B-2.6 EM6353BY1SP3B-2.9 EM6353BY1SP3B-2.9+	C5##  AS## BS##	BLWJ ALWL ALBS ALBT ALBU BLBU
EM6353BY1SP3B-3.1 EM6353BY1SP3B-4.4 EM6353BY1SP3B-4.6 EM6353BY2SP3B-2.6 EM6353BY2SP3B-2.6+ EM6353BY2SP3B-2.9	  C9##	ALBV ALBW ALBX ALWT BLWT ALWU
EM6353BY2SP3B-2.9+ EM6353BY2SP3B-3.1 EM6353BY2SP3B-3.1+ EM6353BY2SP3B-4.4 EM6353BY2SP3B-4.6 EM6353BY2SP3B-4.6+	C7##	BLWU ALWV BLWV ALWW ALWX BLWX
EM6353BYSC5B-2.9 EM6353BYSC5B-2.9+ EM6353BYSC5B-4.4 EM6353BZ2SP3B-2.9 EM6353BZ2SP3B-2.9+ EM6353BZ2SP3B-3.1	C7##  AV## BV##	ALWU BLWU ALWW ALW6 BLW6 ALW7
EM6353BZ2SP3B-3.1+ EM6353BZ2SP3B-4.6 EM6353BZ2SP3B-4.6+	  CB##	BLW7 ALW9 BLW9

<sup>1)</sup> Top marking is the standard from 2006. No bottom marking exists. Where ## refers to the lot number (EM internal reference only)

<sup>2)</sup> Top marking with 4 characters is standard from 2003. For lead-free/green mold (RoHS) parts, the first letter of top marking with 4 characters begins with letter "B" instead of letter "A". Bottom marking indicates the lot number.



## Standard Versions (samples)

Part Number
EM6353BX1SP3B-2.6+
EM6353BX1SP3B-2.9+
EM6353BX1SP3B-4.4+
EM6353BX1SP3B-4.6+
EM6353BX2SP3B-1.8+
EM6353BX2SP3B-2.6+
EM6353BX2SP3B-2.9+
EM6353BX2SP3B-3.1+
EM6353BX2SP3B-4.4+
EM6353BX2SP3B-4.6+

Part Number
EM6353BXSC5B-2.9
EM6353BXSC5B-3.1
EM6353BY1SP3B-2.9+
EM6353BY2SP3B-2.9+
EM6353BY2SP3B-3.1+
EM6353BY2SP3B-4.6+
EM6353BYSC5B-2.9+
EM6353BZ2SP3B-2.9+
EM6353BZ2SP3B-3.1+
EM6353BZ2SP3B-4.6

Sample stock is generally held on **standard versions** only. Non standard versions have a 30,000 pieces minimum order quantity. Please contact factory for other versions not shown here and for availability of non standard versions.

## Absolute Maximum Ratings

Parameter	Symbol	Conditions
Voltage at $V_{DD}$ to GND	$V_{DD}$	-0.3V to +6V
Minimum voltage at any signal pin	$V_{MIN}$	GND - 0.3V
Maximum voltage at any signal pin	$V_{MAX}$	$V_{DD} + 0.3V$
Electrostatic discharge max. to MIL-STD-883C method 3015.7 with ref. to $V_{SS}$	$V_{ESD}$	2000V
Max. soldering conditions	$T_{MAX}$	250°C x 10s
Storage Temperature Range	$T_{STG}$	-65°C to +150°C

Stresses above these listed maximum ratings may cause permanent damage to the device. Exposure beyond specified operating conditions may affect device reliability or cause malfunction.

## Handling Procedures

This device has built-in protection against high static voltages or electric fields; however, anti-static precautions must be taken as for any other CMOS component. Unless otherwise specified, proper operation can only occur when all terminal voltages are kept within the voltage range. Unused inputs must always be tied to a defined logic voltage level.

## Operating Conditions

Parameter	Symbol	Min	Max	Unit
Supply voltage (note 1)	$V_{DD}$	0.8	5.5	V
Operating Temperature	$T_A$	-40	+125	°C

## Electrical Characteristics

Unless otherwise specified:  $V_{DD}$  = 0.8V to 5.5V,  $T_A$  = -40°C to +125°C (note 1).

Parameter	Symbol	Conditions	Min	Typ	Max	Unit	
Supply current (note 2)	$I_{DD}$	$V_{DD}$ =1.5V	+25°C	-	2.3	4.6	$\mu A$
			-40°C to +125°C	-	-	7	
		$V_{DD}$ =3.3V	+25°C	-	2.9	5.5	
			-40°C to +125°C	-	-	8.3	
		$V_{DD}$ =5.0V	+25°C	-	3.4	6.3	
			-40°C to +125°C	-	-	9.6	
Threshold voltage (note 3)	$V_{TH}$	EM6353 – 1.3	+25°C	1.290	1.31	1.330	V
			-40°C to +85°C	1.245		1.382	
			-40°C to +125°C	1.221		1.387	
		EM6353 – 1.4	+25°C	1.359	1.38	1.401	
			-40°C to +85°C	1.311		1.456	
			-40°C to +125°C	1.286		1.461	
		EM6353 – 1.6	+25°C	1.546	1.57	1.594	
			-40°C to +85°C	1.492		1.656	
			-40°C to +125°C	1.463		1.663	
		EM6353 – 1.7	+25°C	1.635	1.66	1.685	
			-40°C to +85°C	1.577		1.751	
			-40°C to +125°C	1.547		1.758	
		EM6353 – 1.8	+25°C	1.773	1.80	1.827	
			-40°C to +85°C	1.710		1.899	
			-40°C to +125°C	1.678		1.906	
		EM6353 – 2.2	+25°C	2.167	2.20	2.233	
			-40°C to +85°C	2.090		2.321	
			-40°C to +125°C	2.050		2.330	
		EM6353 – 2.6	+25°C	2.591	2.63	2.669	
			-40°C to +85°C	2.499		2.775	



# EM6353

			-40°C to +125°C	2.451		2.785	
		EM6353 – 2.9	+25°C	2.886	2.93	2.974	
			-40°C to +85°C	2.784		3.091	
			-40°C to +125°C	2.731		3.103	
		EM6353 – 3.1	+25°C	3.034	3.08	3.126	
			-40°C to +85°C	2.926		3.249	
			-40°C to +125°C	2.871		3.262	
		EM6353 – 4.4	+25°C	4.334	4.40	4.466	
			-40°C to +85°C	4.180		4.642	
			-40°C to +125°C	4.101		4.660	
		EM6353 – 4.6	+25°C	4.561	4.63	4.699	
			-40°C to +85°C	4.399		4.885	
			-40°C to +125°C	4.315		4.903	
Threshold hysteresis	$V_{HYS}$	$T_A=+25^\circ\text{C}$		-	$2.1\% \bullet V_{TH}$	-	V

**Note 1:** Production tested at +25°C only. Over temperature limits are guaranteed by design, not production tested.  
 $V_{DD \text{ min}}=0.9\text{V}$  for active-high versions (EM6353\_Z).

**Note 3:** Threshold voltage is specified for  $V_{DD}$  falling.



## Electrical Characteristics (continued)

Unless otherwise specified:  $V_{DD} = 0.8V$  to  $5.5V$ ,  $T_A = -40^{\circ}C$  to  $+125^{\circ}C$  (note 1).

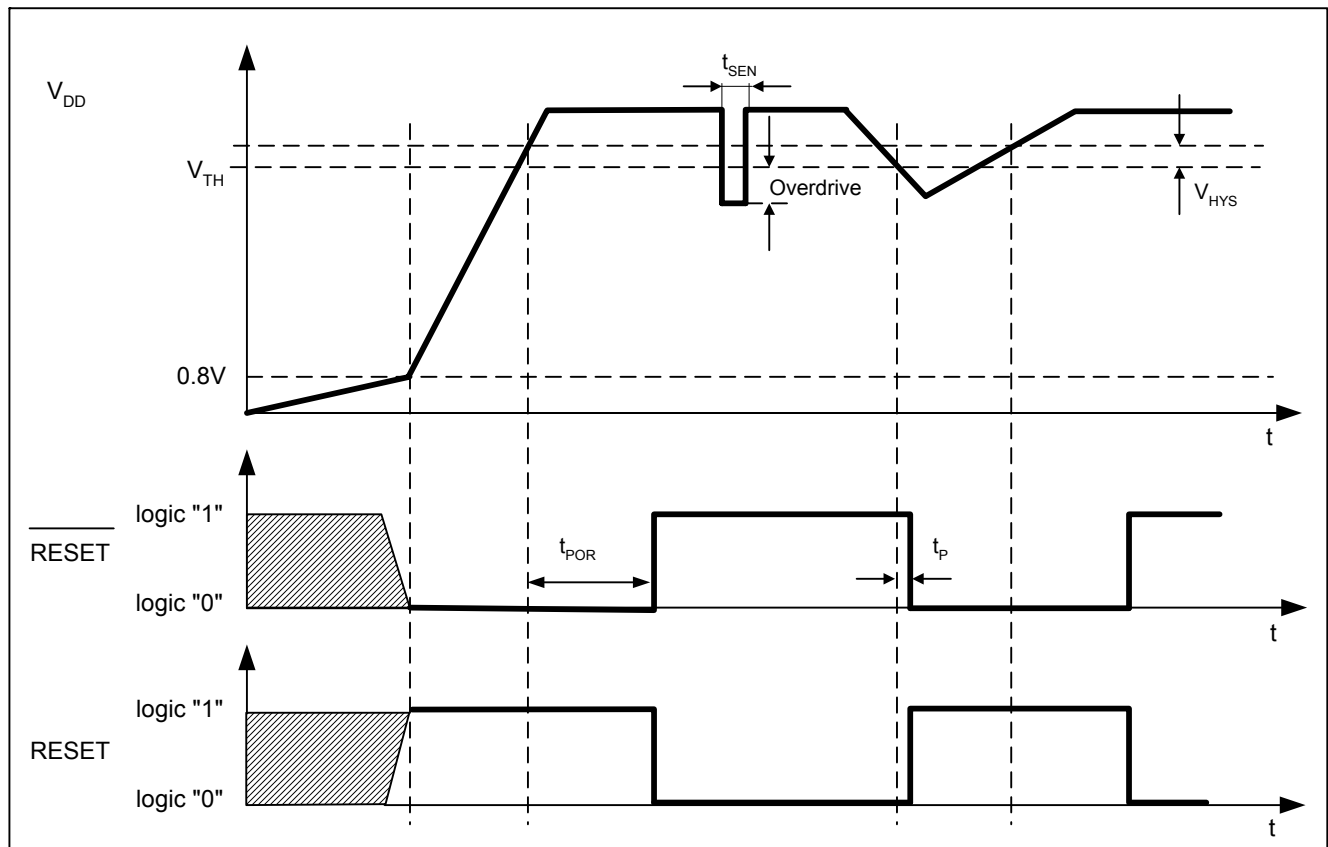
Parameter	Symbol	Conditions	Min	Typ	Max	Unit	
Reset timeout period	$t_{POR}$	$V_{DD}$ from 0V to $V_{TH(typ)} + 15\%$ (note 2 and 4). $T_A = +25^{\circ}C$	EM6353B	155	200	224	ms
			EM6353A	19.4	25	28	
Propagation delay time $V_{DD}$ to $\overline{RESET}$ (RESET) delay	$t_P$	$V_{DD}$ drops from $V_{TH(typ)} + 0.2V$ to $V_{TH(typ)} - 0.2V$ (note 2). $T_A = +25^{\circ}C$	2	130	255	$\mu s$	
Open-drain $\overline{RESET}$ output Voltage	$V_{OL}$	$V_{DD} > 1V$	$I_{OL} = 100\mu A$	-	-	0.3	V
		$V_{DD} > 2.5V$	$I_{OL} = 1.5mA$	-	-	0.3	
		$V_{DD} > 5V$	$I_{OL} = 3mA$	-	-	0.3	
Push-pull $\overline{RESET}$ / $\overline{RESET}$ Output voltage	$V_{OL}$	$V_{DD} > 1V$	$I_{OL} = 100\mu A$	-	-	0.3	V
		$V_{DD} > 2.5V$	$I_{OL} = 1.5mA$	-	-	0.3	
		$V_{DD} > 5V$	$I_{OL} = 3mA$	-	-	0.35	
	$V_{OH}$	$V_{DD} > 1V$	$I_{OH} = -30\mu A$	0.8	-	-	
		$V_{DD} > 2.5V$	$I_{OH} = -1.5mA$	2	-	-	
		$V_{DD} > 5V$	$I_{OH} = -3mA$	4	-	-	
Output leakage current	$I_{LEAK}$	Only for EM6353_Y (open-drain)	-	-	0.5	$\mu A$	

**Note 1:** Production tested at  $+25^{\circ}C$  only. Over temperature limits are guaranteed by design, not production tested.  $V_{DD}$  min=0.9V for active-high versions (EM6353\_Z).

**Note 2:**  $\overline{RESET}$  (RESET) open.

**Note 4:** Standard version is EM6353B ( $t_{POR} = 200ms$ ), available at all times. EM6353A ( $t_{POR} = 25ms$ ) is available by mask option and upon minimum order quantity. Please contact EM sales.

## Timing Waveforms



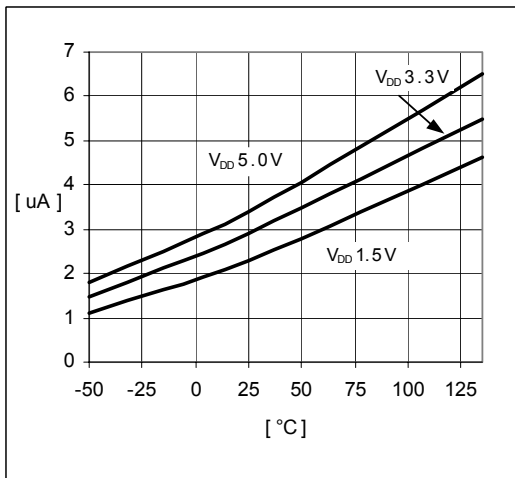
**Note 6:**  $t_{SEN}$  = Maximum Transient Duration. Please refer to figure on next page.

**Note 7:** Overdrive =  $V_{TH} - V_{DD}$ . Please refer to figure on next page.

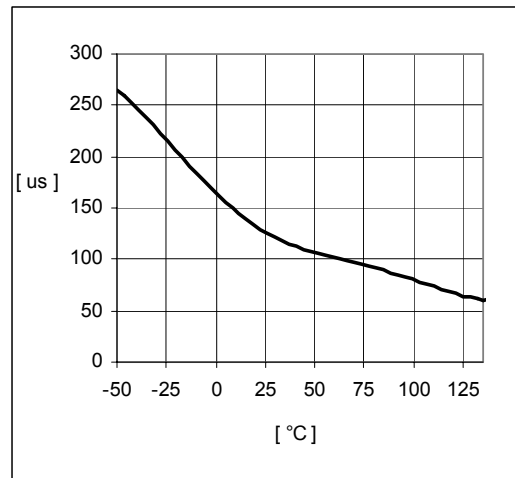


## Typical Operating Characteristics

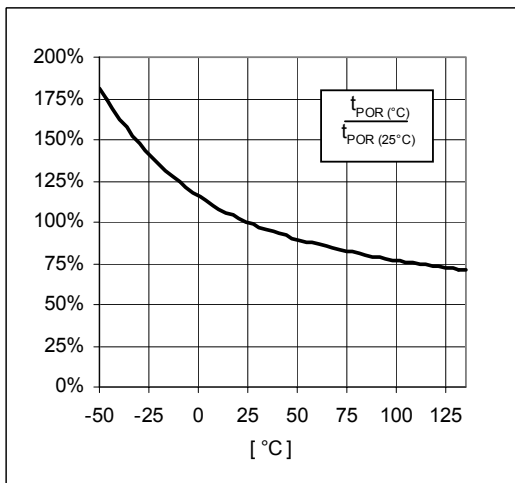
(Typical values are at  $T_A=+25^\circ\text{C}$  unless otherwise noted,  $\overline{\text{RESET}}$  or RESET open.)



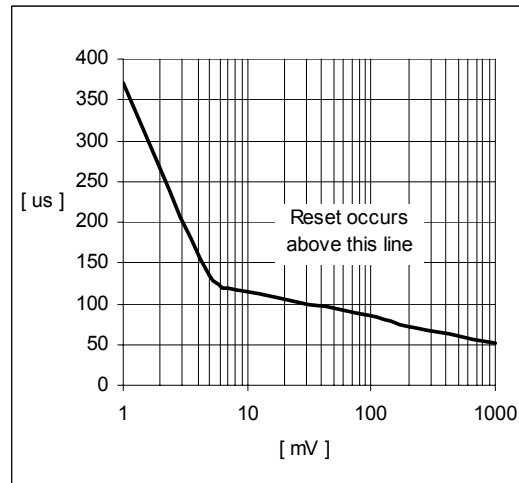
$I_{DD}$  vs. Temperature



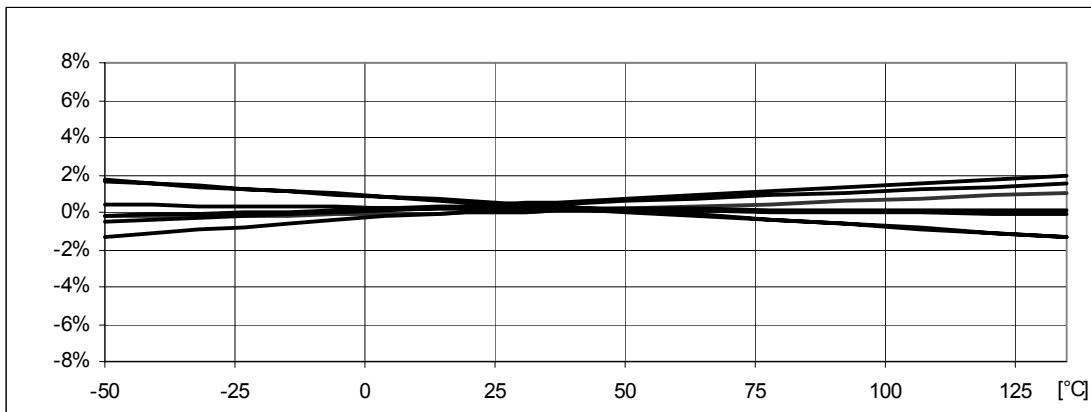
Propagation Time  $t_p$  vs. Temperature



Reset Timeout Period  $t_{POR}$  vs. Temperature (normalized with respect to  $t_{POR} 25^\circ\text{C}$ )

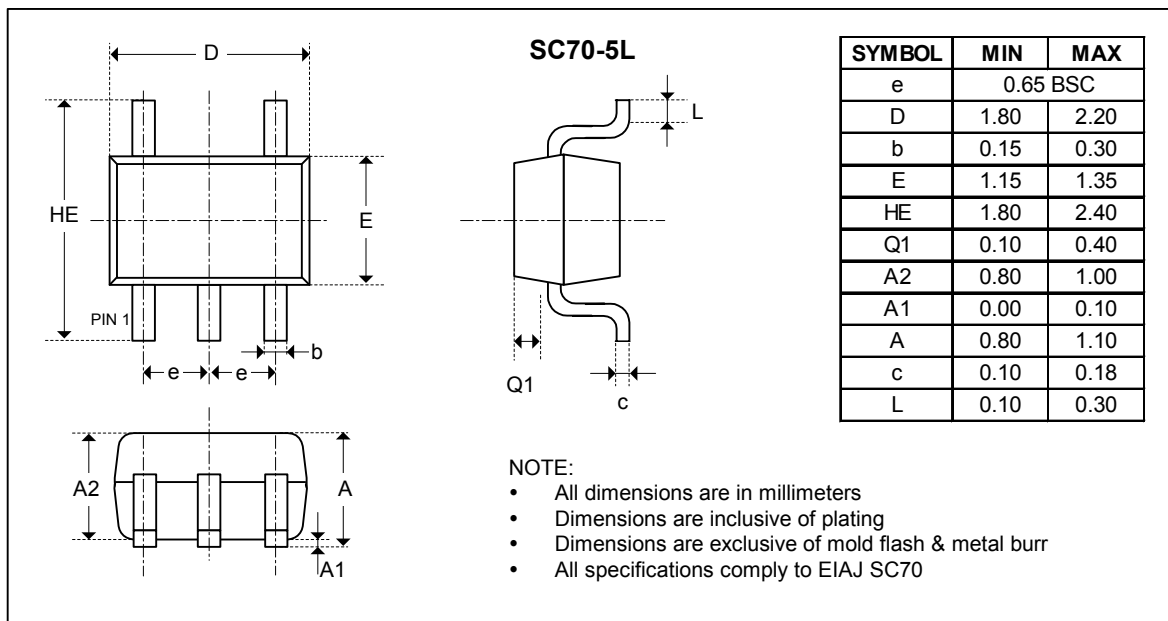
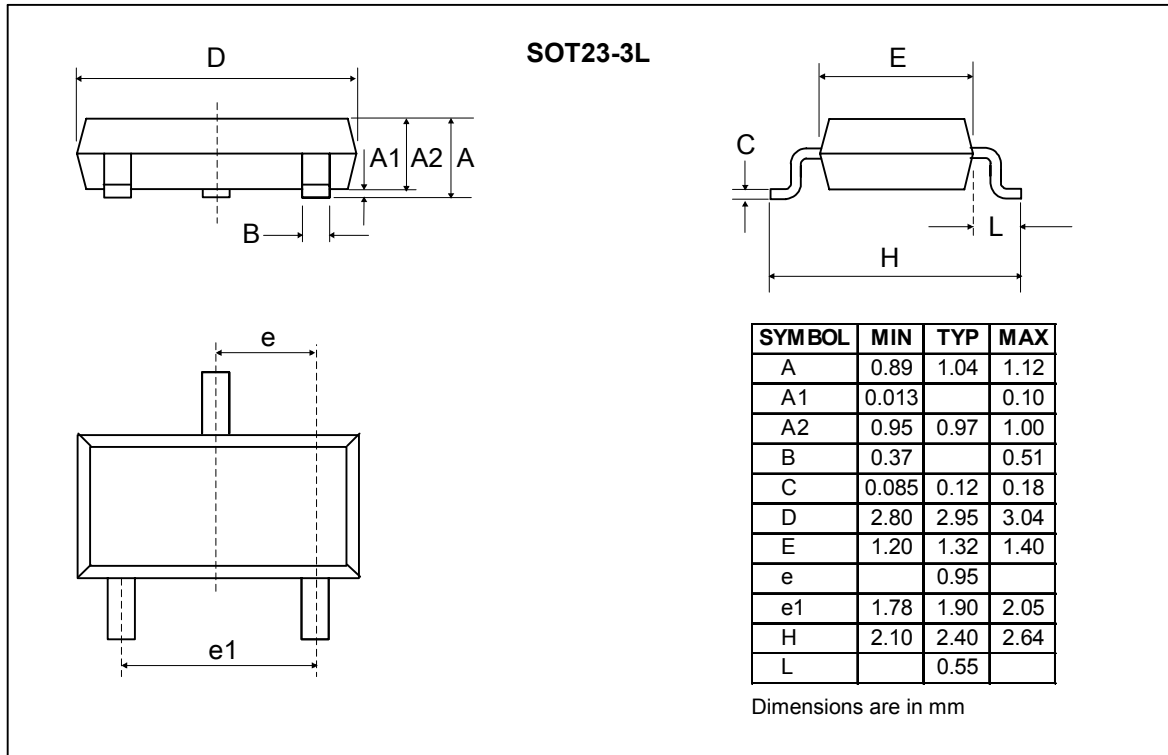


Maximum Transient Duration  $t_{SEN}$  vs. Overdrive  $V_{TH} - V_{DD}$



Threshold Voltage Variation vs. Temperature (normalized)

## Package Information



### Traceability for small packages

Due to the limited space on the package surface, the bottom marking contains a limited number of characters that provide only partial information for lot traceability. Full information for complete traceability is however provided on the packing labels of the product at delivery from EM. It is highly recommended that the customer insures full lot traceability of EM product in his final product.

EM Microelectronic-Marín SA (EM) makes no warranty for the use of its products, other than those expressly contained in the Company's standard warranty which is detailed in EM's General Terms of Sale located on the Company's web site. EM assumes no responsibility for any errors which may appear in this document, reserves the right to change devices or specifications detailed herein at any time without notice, and does not make any commitment to update the information contained herein. No licenses to patents or other intellectual property of EM are granted in connection with the sale of EM products, expressly or by implications. EM's products are not authorized for use as components in life support devices or systems.

Product qualification is performed according to internal EM quality standards for industrial products. For any special requirement (eg. automotive grade) please contact EM Microelectronic-Marín S.A.