

## CMOS 8-BIT MICROCONTROLLER

**TMP87C874F, TMP87CH74F**

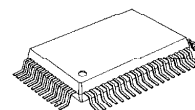
The 87C874/CH74 are the high speed and high performance 8-bit single chip microcomputers. These MCU contain 8-bit A/D conversion inputs and a VFT (Vacuum Fluorescent Tube) driver on a chip.

PART No.	ROM	RAM	PACKAGE	OTP MCU
TMP87C874F	8K x 8-bit	512 x 8-bit	QFP80-P-1420-0.80B	TMP87PM74F
TMP87CH74F	16K x 8-bit			

**FEATURES**

- ◆ 8-bit single chip microcomputer TLCS-870 Series
- ◆ Instruction execution time : 0.5  $\mu$ s (at 8 MHz), 122  $\mu$ s (at 32.768 kHz)
- ◆ 412 basic instructions
  - Multiplication and Division (8 bits x 8 bits, 16 bits  $\div$  8 bits)
  - Bit manipulations (Set/Clear/Complement/Load/Store/Test/Exclusive OR)
  - 16-bit data operations
  - 1-byte jump/subroutine-call (Short relative jump/ Vector call)
- ◆ 15 interrupt sources (External : 6, Internal : 9)
  - All sources have independent latches each, and nested interrupt control is available.
  - 3 edge-selectable external interrupts with noise reject
  - High-speed task switching by register bank changeover
- ◆ 11 Input/Output ports (71 pins)
  - High current output : 16 pins (typ. 20 mA)
- ◆ Two 16-bit Timer/Counters
  - Timer, Event counter, programmable pulse generator output, Pulse width measurement, External trigger timer, Window modes.
- ◆ Two 8-bit Timer/Counters
  - Timer, Event counter, Capture (Pulse width/duty measurement), PWM output, Programmable divider output modes
- ◆ Time Base Timer (Interrupt frequency : 1 Hz to 16384 kHz)
- ◆ Divider output function (frequency : 1 kHz to 8 kHz)
- ◆ Watchdog Timer
  - Interrupt source/reset output (programmable)
- ◆ 8-bit Serial Interface
  - With 8 bytes transmit/receive data buffer
  - Internal/external serial clock, and 4/8-bit mode
- ◆ Serial bus Interface
  - I<sup>2</sup>C-bus, 8-bit SIO modes
- ◆ 8-bit successive approximate type A/D converter with sample and hold
  - 12 analog inputs
  - Conversion time : 23  $\mu$ s at 8 MHz
- ◆ Vacuum Fluorescent Tube Driver (automatic display)
  - Programmable grid scan
  - High breakdown voltage ports (max. 40V x 37 bits)
- ◆ Dual clock operation
  - Single/Dual-clock mode (option)
- ◆ Five Power saving operating modes
  - STOP mode : Oscillation stops. Battery/Capacitor back-up. Port output hold/High-impedance.
  - SLOW mode: Low power consumption operation using low-frequency clock (32.768 kHz).
  - IDLE1 mode : CPU stops, and Peripherals operate using high-frequency clock. Release by interrupts.
  - IDLE2 mode : CPU stops, and Peripherals operate using high-and low-frequency clock. Release by interrupts.
  - SLEEP mode : CPU stops, and Peripherals operate using low-frequency clock. Release by interrupts.
- ◆ Wide operating voltage : 2.7 to 5.5 V at 32.768 kHz, 4.5 to 5.5 V at 8 MHz / 32.768 kHz
- ◆ Emulation Pod : BM87CM75F0A

QFP80-P-1420-0.80B



TMP87C874F  
TMP87CH74F  
TMP87PM74F



Purchase of TOSHIBA I<sup>2</sup>C components conveys a license under the Philips I<sup>2</sup>C Patent Rights to use these components in an I<sup>2</sup>C system, provided that the system conforms to the I<sup>2</sup>C Standard Specification as defined by Philips.



## PIN FUNCTION

PIN NAME	Input / Output	FUNCTION	
P07 to P03	I/O	Two 8-bit programmable input/output ports (tri-state). Each bit of these ports can be individually configured as an input or an output under software control. When used as a SIO input/output, an External interrupt input, a timer/counter input, the latch must be set to "0". When used as a PPG output or divider output, the latch must be set to "1".	
P02 (SO1)	I/O (Output)		SIO1 serial data Output
P01 (SI1)	I/O (Input)		SIO1 serial data Input
P00 ( $\overline{SCK1}$ )	I/O (I/O)		SIO1 serial clock input/output
P17 (INT4/TC3)	I/O (Input)		External interrupt input 4 or Timer/Counter 3 input
P16 (INT2)			External interrupt input 2
P15 (INT3/TC1)			External interrupt input 3 or Timer/Counter 1 input
P14 (TC4/ $\overline{PDO}$ /PWM)			Timer counter 4 input or 8-bit programmable divider output or 8-bit PWM output
P13 ( $\overline{DVO}$ )	I/O (Output)		Divider output
P12 (TC2/PPG)	I/O (I/O)		Timer counter 2 input or Programmable pulse generator output
P11 (INT1)	I/O (Input)		External interrupt input 1
P10 ( $\overline{INT0}$ )			External interrupt input 0
P22 (XTOUT)	I/O (Output)	3-bit input/output port with latch. When used as input port, or external interrupt input, STOP mode release signal input, the latch must be set to "1".	Resonator connecting pins (32.768 kHz). For inputting external clock, XTIN is used and XTOUT is opened.
P21 (XTIN)	I/O (Input)		External interrupt input 5 or STOP mode release signal input
P20 ( $\overline{INT5/STOP}$ )			
P32 ( $\overline{SCK0}$ )	I/O (I/O)	3-bit programmable input/output ports (Sink open drain). Each bit of these ports can be individually configured as an input or an output under software control. When used as a I <sup>2</sup> C input/output, the latch must be set to "1".	SIO0 serial clock input/output
P31 (SDA/SO0)	I/O (I/O/Output)		I <sup>2</sup> Cbus serial data input/output or SIO0 serial data output
P30 (SCL/SI0)	I/O (I/O/Input)		I <sup>2</sup> Cbus serial clock input/output or SIO0 serial data Input
P47 (AIN7) to P40 (AIN0)	I/O (Input)	8-bit programmable input/output ports (tri-state). Each bit of these ports can be individually configured as an input or an output under software control. When used as an analog input, the P4CR must be set to "0".	A/D converter analog inputs
P53 (AIN13) to P50 (AIN10)	I/O (Input)	4-bit programmable input/output ports (tri-state). Each bit of these ports can be individually configured as an input or an output under software control. When used as an analog input, the P5CR must be set to "0".	A/D converter analog inputs
P67 (V7) to P60 (V0) P77 (V15) to P70 (V8) P87 (V23) to P80 (V16) P97 (V31) to P90 (V24)	I/O (Output)	Four 8-bit high breakdown voltage output ports with the latch. When used as a VFT driver output, the latch must be cleared to "0".	VFT driver outputs
PD4 (V36) to PD0 (V32)	I/O (Output)	5-bit high breakdown voltage output ports with the latch. When used as a VFT driver output, the latch must be cleared to "0".	

PIN NAME	Input / Output	FUNCTION
XIN, XOUT	Input, Output	Resonator connecting pins for high-frequency clock. For inputting external clock, XIN is used and XOUT is opened.
$\overline{\text{RESET}}$	I/O	Reset signal input or watchdog timer output/address-trap-reset output/system-clock-reset outputted.
TEST	Input	Test pin for out-going test. Be tied to low.
VDD, VSS	Power Supply	+ 5 V, 0 V (GND)
VKK		VFT driver power supply
VAREF, VASS		Analog reference voltage inputs (High, Low)

OPERATIONAL DESCRIPTION

1. CPU CORE FUNCTIONS

The CPU core consists of a CPU, a system clock controller, an interrupt controller, and a watchdog timer. This section provides a description of the CPU core, the program memory (ROM), the data memory (RAM), and the reset circuit.

1.1 Memory Address Map

The TLCS-870 Series is capable of addressing 64K bytes of memory. Figure 1-1 shows the memory address maps of the 87C874/H74. In the TLCS-870 Series, the memory is organized 4 address spaces (ROM, RAM, SFR, and DBR). It uses a memory mapped I/O system, and all I/O registers are mapped in the SFR/DBR address spaces. There are 16 banks of general-purpose registers. The register banks are also assigned to the first 128 bytes of the RAM address space.

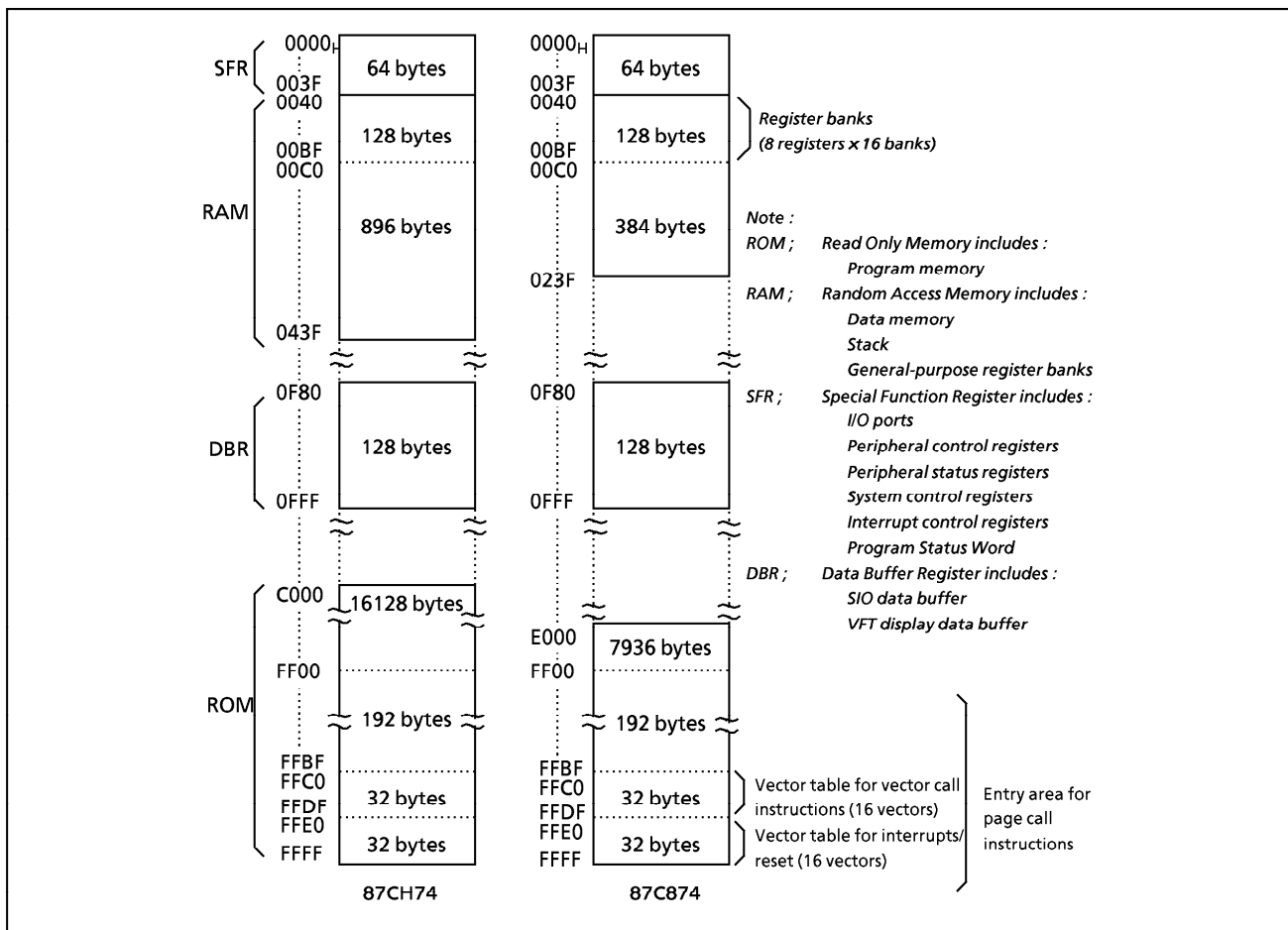


Figure 1-1. Memory Address Maps

### 1.2 Program Memory (ROM)

The 87C874 has a 8K × 8-bit (addresses E000<sub>H</sub>-FFFF<sub>H</sub>), the 87CH74 has a 16K × 8-bit (address 8000<sub>H</sub>-FFFF<sub>H</sub>) of program memory (mask programmed ROM).

Addresses FF00<sub>H</sub>-FFFF<sub>H</sub> in the program memory can also be used for special purposes.

(1) **Interrupt / Reset** vector table (addresses FFE0<sub>H</sub>-FFFF<sub>H</sub>)

This table consists of a reset vector and 16 interrupt vectors (2 bytes/vector). These vectors store a reset start address and interrupt service routine entry addresses.

(2) Vector table for **vector call** instructions (addresses FFC0<sub>H</sub>-FFDF<sub>H</sub>)

This table stores call vectors (subroutine entry address, 2 bytes/vector) for the vector call instructions [CALLV n]. There are 16 vectors. The CALLV instruction increases memory efficiency when utilized for frequently used subroutine calls (called from 3 or more locations).

(3) Entry area (addresses FF00<sub>H</sub>-FFFF<sub>H</sub>) for **page call** instructions

This is the subroutine entry address area for the page call instructions [CALLP n]. Addresses FF00<sub>H</sub>-FFBF<sub>H</sub> are normally used because address FFC0<sub>H</sub>-FFFF<sub>H</sub> are used for the vector tables.

Programs and fixed data are stored in the program memory. The instruction to be executed next is read from the address indicated by the current contents of the program counter (PC). There are relative jump and absolute jump instructions. The concepts of page or bank boundaries are not used in the program memory concerning any jump instruction.

Example: The relationship between the jump instructions and the PC.

① 5-bit PC-relative jump [JRS cc, \$ + 2 + d]

```
E8C4H: JRS T, $ + 2 + 08H
```

When JF = 1, the jump is made to E8CE<sub>H</sub>, which is 08<sub>H</sub> added to the contents of the PC. (The PC contains the address of the instruction being executed + 2; therefore, in this case, the PC contents are E8C4<sub>H</sub> + 2 = E8C6<sub>H</sub>.)

② 8-bit PC-relative jump [JR cc, \$ + 2 + d]

```
E8C4H: JR Z, $ + 2 + 80H
```

When ZF = 1, the jump is made to E846<sub>H</sub>, which is FF80<sub>H</sub> (-128) added to the current contents of the PC.

③ 16-bit absolute jump [JP a]

```
E8C4H: JP 0C235H
```

An unconditional jump is made to address C235<sub>H</sub>. The absolute jump instruction can jump anywhere within the entire 64K-byte space.

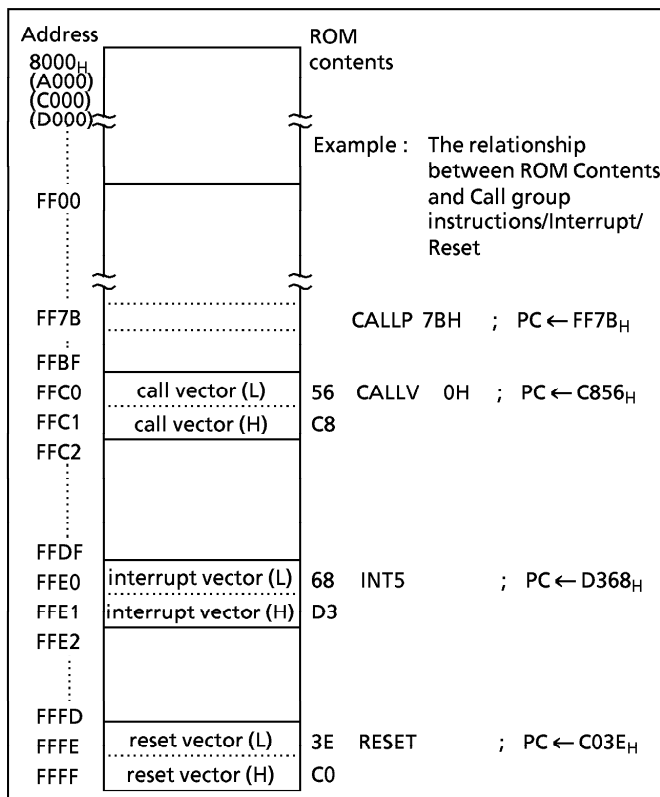


Figure 1-2. Program Memory Map

In the TLCS-870 Series, the same instruction used to access the data memory (e. g. [LD A, (HL) ]) is also used to read out fixed data (ROM data) stored in the program memory. The register-offset-PC-relative addressing (PC + A) instructions can also be used, and the code conversion, table look-up and n-way multiple-direction jump processing can easily be programmed.

Example 1 : Loads the ROM contents at the address specified by the HL register pair contents into the accumulator ( $HL \geq A000_H$ ):

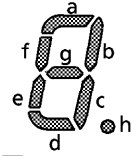
```
LD    A, (HL)           ; A ← ROM (HL)
```

Example 2 : Converts BCD to 7-segment code (common anode LED). When  $A = 05_H$ ,  $92_H$  is output to port P0 after executing the following program:

```
LD    (P0), (PC + A)
ADD   A, TABLE - $ - 4 ; P0 ← ROM (TABLE + A)
JRS   T, SNEXT
```

```
TABLE: DB    0C0H, 0F9H, 0A4H, 0B0H, 99H, 92H, 82H, 0D8H, 80H, 98H
SNEXT:
```

Notes : "\$" is a header address of ADD instruction.  
DB is a byte data definition instruction.



SHLC A
JP (PC + A)
34
C2
78
C3
37
DA
B0
E1

Example 3 : N-way multiple jump in accordance with the contents of accumulator ( $0 \leq A \leq 3$ ):

```
SHLC  A           ; if A = 00_H then PC ← C234_H
JP    (PC + A)    ; if A = 01_H then PC ← C378_H
                        ; if A = 02_H then PC ← DA37_H
                        ; if A = 03_H then PC ← E1B0_H

DW    0C234H, 0C378H, 0DA37H, 0E1B0H
```

Note : DW is a word data definition instruction.

### 1.3 Program Counter (PC)

The program counter (PC) is a 16-bit register which indicates the program memory address where the instruction to be executed next is stored. After reset, the user defined reset vector stored in the vector table (addresses  $FFFF_H$  and  $FFFE_H$ ) is loaded into the PC ; therefore, program execution is possible from any desired address. For example, when  $C0_H$  and  $3E_H$  are stored at addresses  $FFFF_H$  and  $FFFE_H$ , respectively, the execution starts from address  $C03E_H$  after reset.

The TLCS-870 Series utilizes pipelined processing (instruction pre-fetch); therefore, the PC always indicates 2 addresses in advance. For example, while a 1-byte instruction stored at address  $C123_H$  is being executed, the PC contains  $C125_H$ .

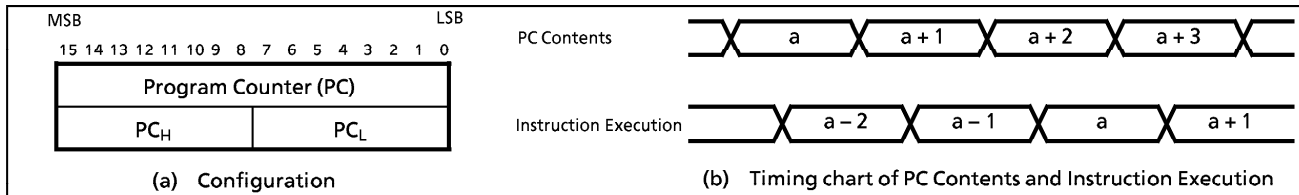


Figure 1-3. Program Counter

### 1.4 Data Memory (RAM)

The 87C874/H74 have a  $512 \times 8$ -bits (addresses  $0040_H$ - $023F_H$ ) of data memory (static RAM). Figure 1-4 shows the data memory map.

Addresses  $0000_H$ - $00FF_H$  are used as a direct addressing area to enhance instructions which utilize this addressing mode; therefore, addresses  $0040_H$ - $00FF_H$  in the data memory can also be used for user flags or user counters. General-purpose register banks (8 registers  $\times$  16 banks) are also assigned to the 128 bytes of addresses  $0040_H$ - $00BF_H$ . Access as data memory is still possible even when being used for registers. For example, when the contents of the data memory at address  $0040_H$  is read out, the contents of the accumulator in the bank 0 are also read out. The stack can be located anywhere within the data memory except the register bank area. The stack depth is limited only by the free data memory size. For more details on the stack, see section "1.7 Stack and Stack Pointer".

The 87C874/H74 cannot execute programs placed in the data memory. When the program counter indicates a data memory address, a bus error occurs and an address-trap-reset applies. The RESET pin goes low during the address-trap-reset.

Example 1 : If bit 2 at data memory address 00C0<sub>H</sub> is "1", 00<sub>H</sub> is written to data memory at address 00E3<sub>H</sub>; otherwise, FF<sub>H</sub> is written to the data memory at address 00E3<sub>H</sub>:

```

TEST      (00C0H).2      ; if (00C0H)2 = 0 then jump
JRS       T,SZERO
CLR       (00E3H)        ; (00E3H) ← 00H
JRS       T,SNEXT
SZERO :   LD      (00E3H), 0FFH ; (00E3H) ← FFH
SNEXT :
```

Example 2 : Increments the contents of data memory at address 00F5<sub>H</sub>, and clears to 00<sub>H</sub> when 10<sub>H</sub> is exceeded:

```

INC      (00F5H)        ; (00F5H) ← (00F5H) + 1
AND      (00F5H), 0FH   ; (00F5H) ← (00F5H) ∧ 0FH
```

The data memory contents become unstable when the power supply is turned on; therefore, the data memory should be initialized by an initialization routine. Note that the general-purpose registers are mapped in the RAM ; therefore, *do not clear RAM at the current bank addresses.*

Example1 : Clears RAM to "00<sub>H</sub>" except the bank 0: (87C874/H74)

```

LD      HL, 0048H      ; Sets start address to HL register pair
LD      A, H           ; Sets initial data (00H) to A register
LD      BC, 01F7H     ; Sets number of byte to BC register pair
SRAMCLR : LD      (HL+), A
DEC     BC
JRS     F, SRAMCLR
```



Address	0	1	2	3	4	5	6	7	8	9	A	B	C	D	E	F
0040 <sub>H</sub>	Register bank 0								Register bank 1							
0050	Register bank 2								Register bank 3							
0060	Register bank 4								Register bank 5							
0070	Register bank 6								Register bank 7							
0080	Register bank 8								Register bank 9							
0090	Register bank 10								Register bank 11							
00A0	Register bank 12								Register bank 13							
00B0	Register bank 14								Register bank 15							
00C0																
00D0																
00E0																
00F0																
0100																
0110																
0120																
0130																
0140																
⋮																
0230																

Direct addressing area

Figure 1-4. Data Memory Map

## 1.5 General-purpose Register Banks

The general-purpose registers are mapped into addresses 0040<sub>H</sub>-00BF<sub>H</sub> in the data memory as shown in Figure 1-4. There are 16 register banks, and each bank contains eight 8-bit registers W, A, B, C, D, E, H, and L. Figure 1-5 shows the general-purpose register bank configuration.

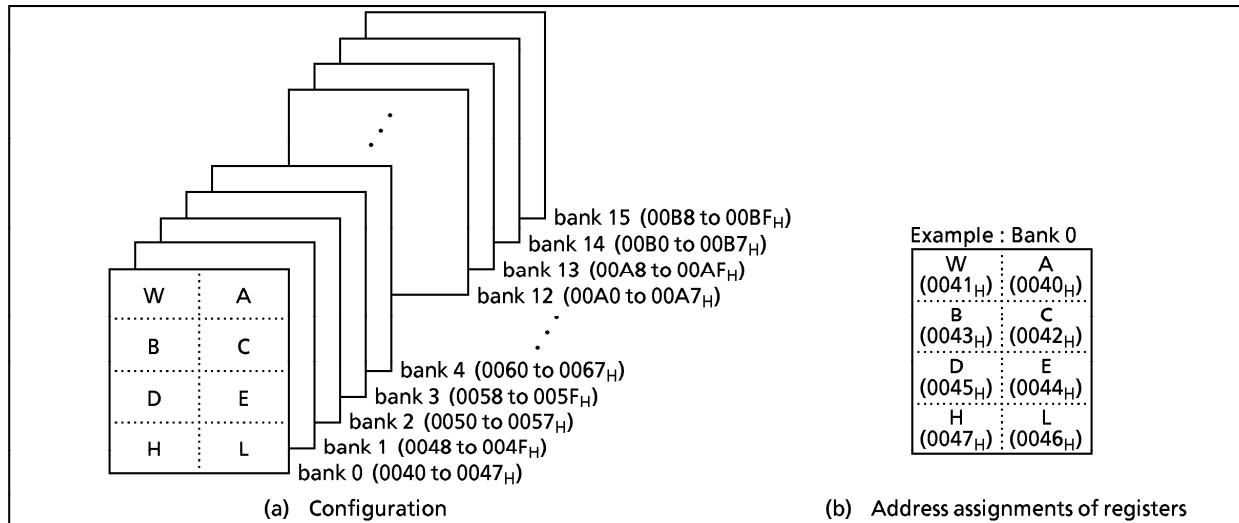


Figure 1-5. General-purpose Register Banks

In addition to access in 8-bit units, the registers can also be accessed in 16-bit units as the register pairs WA, BC, DE, and HL. Besides its function as a general-purpose register, the register also has the following functions:

### (1) A, WA

The A register functions as an 8-bit accumulator and WA the register pair functions as a 16-bit accumulator (W is high byte and A is low byte). Registers other than A can also be used as accumulators for 8-bit operations.

Examples :

①	ADD A, B	; Adds B contents to A contents and stores the result into A.
②	SUB WA, 1234H	; Subtracts 1234 <sub>H</sub> from WA contents and stores the result into WA.
③	SUB E, A	; Subtracts A contents from E contents, and stores the result into E.

### (2) HL, DE

The HL and DE specify a memory address. The HL register pair functions as data pointer (HL) / index register (HL + d) / base register (HL + C), and the DE register pair function as a data pointer (DE). The HL also has an auto-post-increment and auto-pre-decrement functions. This function simplifies multiple digit data processing, software LIFO (last-in first-out) processing, etc.

Example 1 :

①	LD A, (HL)	; Loads the memory contents at the address specified by HL into A.
②	LD A, (HL + 52H)	; Loads the memory contents at the address specified by the value obtained by adding 52 <sub>H</sub> to HL contents into A.
③	LD A, (HL + C)	; Loads the memory contents at the address specified by the value obtained by adding the register C contents to HL contents into A.
④	LD A, (HL +)	; Loads the memory contents at the address specified by HL into A. Then increments HL.
⑤	LD A, (-HL)	; Decrements HL. Then loads the memory contents at the address specified by new HL into A.

The TLC8-870 Series can transfer data directly memory to memory, and operate directly between memory data and memory data. This facilitates the programming of block processing.

## Example 2 : Block transfer

```

LD      B, n - 1          ; Sets (number of bytes to transfer) - 1 to B
LD      HL, DSTA         ; Sets destination address to HL
LD      DE, SRCA         ; Sets source address to DE
SLOOP:  LD      (HL), (DE) ; (HL) ← (DE)
INC     HL
INC     DE
DEC     B
JRS    F, SLOOP

```

## (3) B, C, BC

Registers B and C can be used as 8-bit buffers or counters, and the BC register pair can be used as a 16-bit buffer or counter. The C register functions as an offset register for register-offset index addressing (refer to example 1 ③ above) and as a divisor register for the division instruction [DIV gg, C].

## Example 1 : Repeat processing

```

LD      B, n          ; Sets n as the number of repetitions to B
SREPEAT: processing          ; (n + 1 times processing)
DEC     B
JRS    F, SREPEAT

```

## Example 2 : Unsigned integer division (16-bit ÷ 8-bit)

```

DIV     WA, C          ; Divides the WA contents by the C contents, places the
                      ; quotient in A and the remainder in W.

```

The general-purpose register banks are selected by the 4-bit register bank selector (RBS). During reset, the RBS is initialized to "0". The bank selected by the RBS is called the current bank.

Together with the flag, the RBS is assigned to address 003FH in the SFR as the program status word (PSW). There are 3 instructions [LD RBS, n], [PUSH PSW] and [POP PSW] to access the PSW. The PSW can be also operated by the memory access instruction.

## Example 1 : Incrementing the RBS

```

INC     (003FH)        ; RBS ← RBS + 1

```

## Example 2 : Reading the RBS

```

LD      A, (003FH)     ; A ← PSW (A3-0 ← RBS, A7,4 ← Flags)

```

Highly efficient programming and high-speed task switching are possible by using bank changeover to save registers during interrupt and to transfer parameters during subroutine processing.

During interrupt, the PSW is automatically saved onto the stack. The bank used before the interrupt was accepted is restored automatically by executing an interrupt return instruction [RETI]/[RETN] ; therefore, there is no need for the RBS save/restore software processing.

The TLCS-870 Series supports a maximum of 15 interrupt sources. One bank is assigned to the main program, and one bank can be assigned to each source. Also, to increase the efficiency of data memory usage, assign the same bank to interrupt sources which are not nested.

## Example: Saving /restoring registers during interrupt task using bank changeover.

```

PINT1:  LD      RBS, n          ; RBS ← n (Bank changeover)
Interrupt processing
RETI    ; Maskable interrupt return (Bank restoring)

```

## 1.6 Program Status Word (PSW)

The program status word (PSW) consists of a register bank selector (RBS) and four flags, and the PSW is assigned to address 003F<sub>H</sub> in the SFR.

The RBS can be read and written using the memory access instruction (e. g. [LD A, (003FH)], [LD (003FH), A]), however the flags can only be read. When writing to the PSW, the change specified by the instruction is made without writing data to the flags. For example, when the instruction [LD (003FH), 05H] is executed, "5" is written to the RBS and the JF is set to "1", but the other flags are not affected.

[PUSH PSW] and [POP PSW] are the PSW access instructions.

### 1.6.1 Register Bank Selector (RBS)

The register bank selector (RBS) is a 4-bit register used to select general-purpose register banks. For example, when RBS=2, bank 2 is currently selected. During reset, the RBS is initialized to "0".

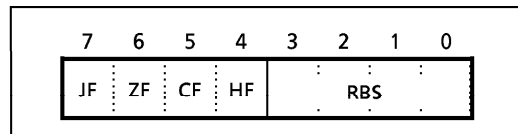


Figure 1-6. PSW (Flags, RBS) Configuration

### 1.6.2 Flags

The flags are configured with the upper 4 bits : a zero flag, a carry flag, a half carry flag and a jump status flag. The flags are set or cleared under conditions specified by the instruction. These flags except the half carry flag are used as jump condition "cc" for conditional jump instructions [JR cc, \$ + 2 + d]/[JRS cc, \$ + 2 + d]. After reset, the jump status flag is initialized to "1", other flags are not affected.

#### (1) Zero flag (ZF)

The ZF is set to "1" if the operation result or the transfer data is 00<sub>H</sub> (for 8-bit operations and data transfers)/0000<sub>H</sub> (for 16-bit operations); otherwise the ZF is cleared to "0".

During the bit manipulation instruction [SET, CLR, and CPL], the ZF is set to "1" if the contents of the specified bit is "0"; otherwise the ZF is cleared to "0".

This flag is set to "1" when the upper 8 bits of the product are 00<sub>H</sub> during the multiplication instruction [MUL], and when 00<sub>H</sub> for the remainder during the division instruction [DIV]; otherwise it is cleared to "0".

#### (2) Carry flag (CF)

The CF is set to "1" when a carry out of the MSB (most significant bit) of the result occurred during addition or when a borrow into the MSB of the result occurred during subtraction; otherwise the CF is cleared to "0". During division, this flag is set to "1" when the divisor is 00<sub>H</sub> (divided by zero error), or when the quotient is 100<sub>H</sub> or higher (overflow error); otherwise it is cleared. The CF is also affected during the shift/rotate instructions [SHLC, SHRC, ROLC, and RORC]. The data shifted out from a register is set to the CF.

This flag is also a 1-bit register (a boolean accumulator) for the bit manipulation instructions.

Set/clear/complement are possible with the CF manipulation instructions.

Example 1 : Bit manipulation

```
LD      CF, (0007H) . 5      ; (0001H)2 ← (0007H)5 ∨ (009AH)0
XOR     CF, (009AH) . 0
LD      (0001H) . 2, CF
```

Example 2 : Arithmetic right shift

```
LD      CF, A . 7
RORC   A
```

#### (3) Half carry flag (HF)

The HF is set to "1" when a carry occurred between bits 3 and 4 of the operation result during an 8-bit addition, or when a borrow occurred from bit 4 into bit 3 of the result during an 8-bit subtraction; otherwise the HF is cleared to "0". This flag is useful in the decimal adjustment for BCD operations (adjustments using the [DAA r], or [DAS r] instructions).

Example : BCD operation

(The A becomes 47<sub>H</sub> after executing the following program when A = 19<sub>H</sub>, B = 28<sub>H</sub>)

```

ADD    A, B          ; A ← 41H, HF ← 1
DAA    A             ; A ← 41H + 06H = 47H (decimal-adjust)

```

#### (4) Jump status flag (JF)

Zero or carry information is set to the JF after operation (e. g. INC, ADD, CMP, TEST).

The JF provides the jump condition for conditional jump instructions [JRS T/F, \$ + 2 + d], [JR T/F, \$ + 2 + d] (T or F is a condition code). Jump is performed if the JF is "1" for a true condition (T), or the JF is "0" for a false condition (F).

The JF is set to "1" after executing the load/exchange/swap/nibble rotate/jump instruction, so that [JRS T, \$ + 2 + d] and [JR T, \$ + 2 + d] can be regarded as an unconditional jump instruction.

Example : Jump status flag and conditional jump instruction

```

INC    A
JRS    T, SLABLE1    ; Jump when a carry is caused by the immediately
                    ; preceding operation instruction.
:
LD     A, (HL)
JRS    T, SLABLE2    ; JF is set to "1" by the immediately preceding
                    ; instruction, making it an unconditional jump
                    ; instruction.
:

```

Example : The accumulator and flags will become as shown below after executing the following instructions when the WA register pair, the HL register pair, the data memory at address 00C5<sub>H</sub>, the carry flag and the half carry flag contents being "219A<sub>H</sub>", "00C5<sub>H</sub>", "D7<sub>H</sub>", "1" and "0", respectively.

Instruction	Acc. after execution	Flag after execution			
		JF	ZF	CF	HF
ADDC A, (HL)	72	1	0	1	1
SUBB A, (HL)	C2	1	0	1	0
CMP A, (HL)	9A	0	0	1	0
AND A, (HL)	92	0	0	1	0
LD A, (HL)	D7	1	0	1	0
ADD A, 66H	00	1	1	1	1

Instruction	Acc. after execution	Flag after execution			
		JF	ZF	CF	HF
INC A	9B	0	0	1	0
ROL A	35	1	0	1	0
ROR A	CD	0	0	0	0
ADD WA, 0F508H	16A2	1	0	1	0
MUL W, A	13DA	0	0	1	0
SET A.5	BA	1	1	1	0

## 1.7 Stack and Stack Pointer

### 1.7.1 Stack

The stack provides the area in which the return address or status, etc. are saved before a jump is performed to the processing routine during the execution of a subroutine call instruction or the acceptance of an interrupt. On a subroutine call instruction, the contents of the PC (the return address) is saved; on an interrupt acceptance, the contents of the PC and the PSW are saved (the PSW is pushed first, followed by PC<sub>H</sub> and PC<sub>L</sub>). Therefore, a subroutine call occupies two bytes on the stack; an interrupt occupies three bytes.

When returning from the processing routine, executing a subroutine return instruction [RET] restores the contents to the PC from the stack; executing an interrupt return instruction [RETI] / [RETN] restores the contents to the PC and the PSW (the PC<sub>L</sub> is popped first, followed by PC<sub>H</sub> and PSW).

The stack can be located anywhere within the data memory space except the register bank area, therefore the stack depth is limited only by the free data memory size.

### 1.7.2 Stack Pointer (SP)

The stack pointer (SP) is a 16-bit register containing the address of the next free locations on the stack.

The SP is postdecremented when a subroutine call or a push instruction is executed, or when an interrupt is accepted; and the SP is preincremented when a return or a pop instruction is executed. Figure 1-8 shows the stacking order.

The SP is not initialized hardware-wise but requires initialization by an initialize routine (sets the highest stack address). [LD SP, mn], [LD SP, gg] and [LD gg, SP] are the SP access instructions (mn ; 16-bit immediate data, gg ; register pair).

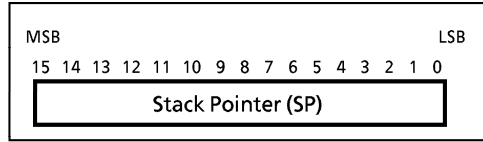


Figure 1-7. Stack Pointer

Example 1 : To initialize the SP

```
LD    SP, 023FH    ; SP←023FH
```

Example 2 : To read the SP

```
LD    HL, SP      ; HL←SP
```

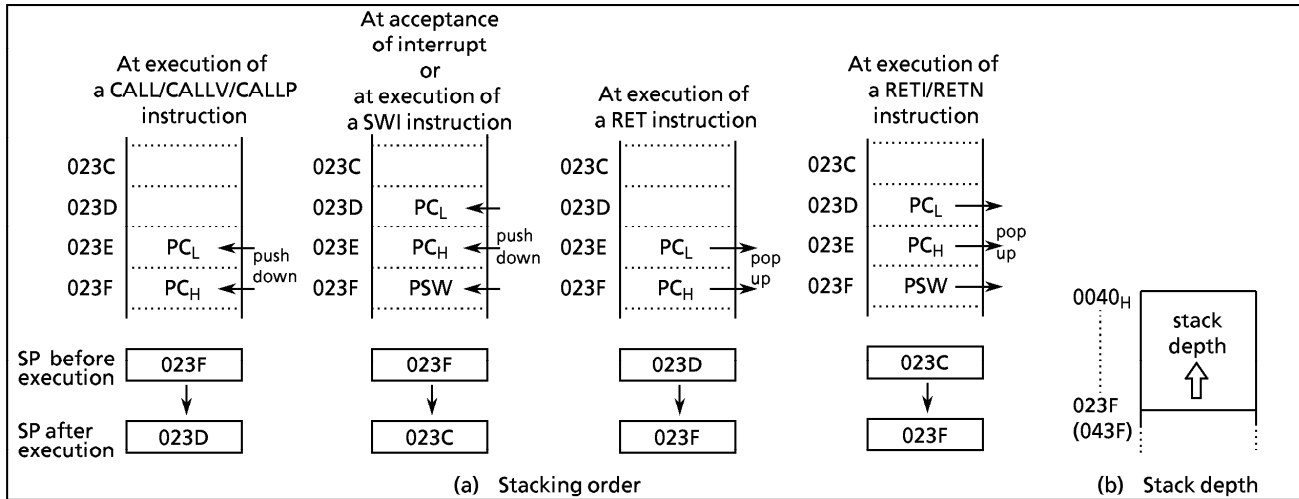


Figure 1-8. Stack

### 1.8 System Clock Controller

The system clock controller consists of a clock generator, a timing generator, and a stand-by controller.

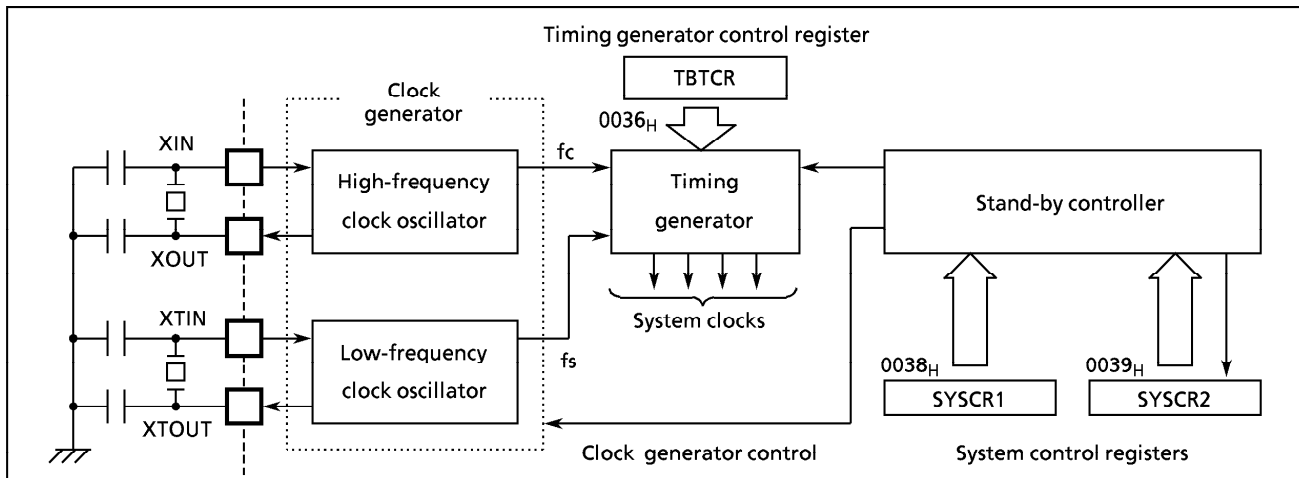


Figure 1-9. System Clock Controller

### 1.8.1 Clock Generator

The clock generator generates the basic clock which provides the system clocks supplied to the CPU core and on-chip peripheral hardware. It contains two oscillation circuits: one for the high-frequency clock and one for the low-frequency clock. Power consumption can be reduced by switching of the system clock controller to low-power operation based on the low-frequency clock.

The high-frequency ( $f_c$ ) and low-frequency ( $f_s$ ) clocks can be easily obtained by connecting a resonator between the XIN/XOUT and XTIN/XTOUT pins, respectively. Clock input from an external oscillator is also possible. In this case, external clock is applied to the XIN/XTIN pin with the XOUT/XTOUT pin not connected.

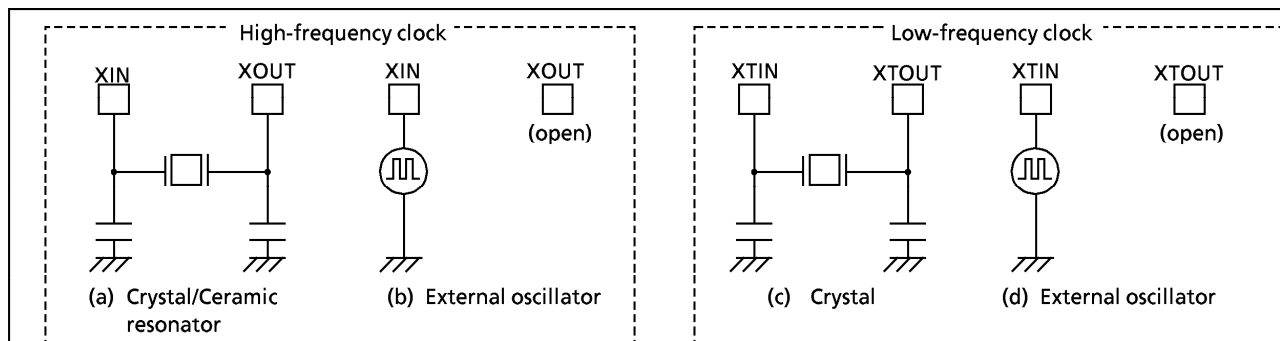
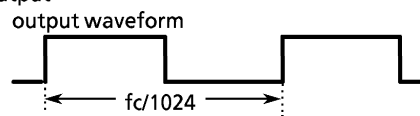


Figure 1-10. Examples of Resonator Connection

**Note :** *Accurate Adjustment of the Oscillation Frequency:*  
 Although no hardware to externally and directly monitor the basic clock pulse is not provided, the oscillation frequency can be adjusted by providing a program to output fixed frequency pulses to the port while disabling all interrupts and monitoring this pulse. With a system requiring adjustment of the oscillation frequency, the adjusting program must be created beforehand.

Example: To output the high-frequency oscillation frequency adjusting monitor pulse to P13 ( $\overline{DVO}$ ) pin.

```
SFCCHK: LD (P1CR), 00001000B ; Configures port P13 as an output
        SET (P1).3 ; P13 output latch ← 1
        LD (TBTCR), 11100000B ; Enables divider output
        JRS T, $ ; Loops endless
```



### 1.8.2 Timing Generator

The timing generator generates from the basic clock the various system clocks supplied to the CPU core and peripheral hardware. The timing generator provides the following functions :

- ① Generation of main system clock
- ② Generation of divider output ( $\overline{DVO}$ ) pulses
- ③ Generation of source clocks for time base timer
- ④ Generation of source clocks for watchdog timer
- ⑤ Generation of internal source clocks for timer/counters TC1 – TC4
- ⑥ Generation of internal clocks for serial interfaces SIO and HSO
- ⑦ Generation of source clocks for VFT driver circuit
- ⑧ Generation of warm-up clocks for releasing STOP mode
- ⑨ Generation of a clock for releasing reset output

#### (1) Configuration of Timing Generator

The timing generator consists of a 21-stage divider with a divided-by-4 prescaler, a main system clock generator, and machine cycle counters. An input clock to the 7th stage of the divider depends on

the operating mode and DV7CK (bit 4 in TBTCR) shown in Figure 1-11 as follows.

During reset and upon releasing STOP mode, the divider is cleared to "0", however, the prescaler is not cleared.

- ① In the single-clock mode  
A divided-by-256 of high-frequency clock ( $fc/2^8$ ) is input to the 7th stage of the divider.
- ② In the dual-clock mode  
During NORMAL2 or IDLE2 mode ( $SYSCK = 0$ ), an input clock to the 7th stage of the divider can be selected either " $fc/2^8$ " or " $fs$ " with DV7CK.  
During SLOW or SLEEP mode ( $SYSCK = 1$ ), " $fs$ " is automatically input to the 7th stage. To input clock to the 1st stage is stopped ; output from the 1st to 6th stages is also stopped.

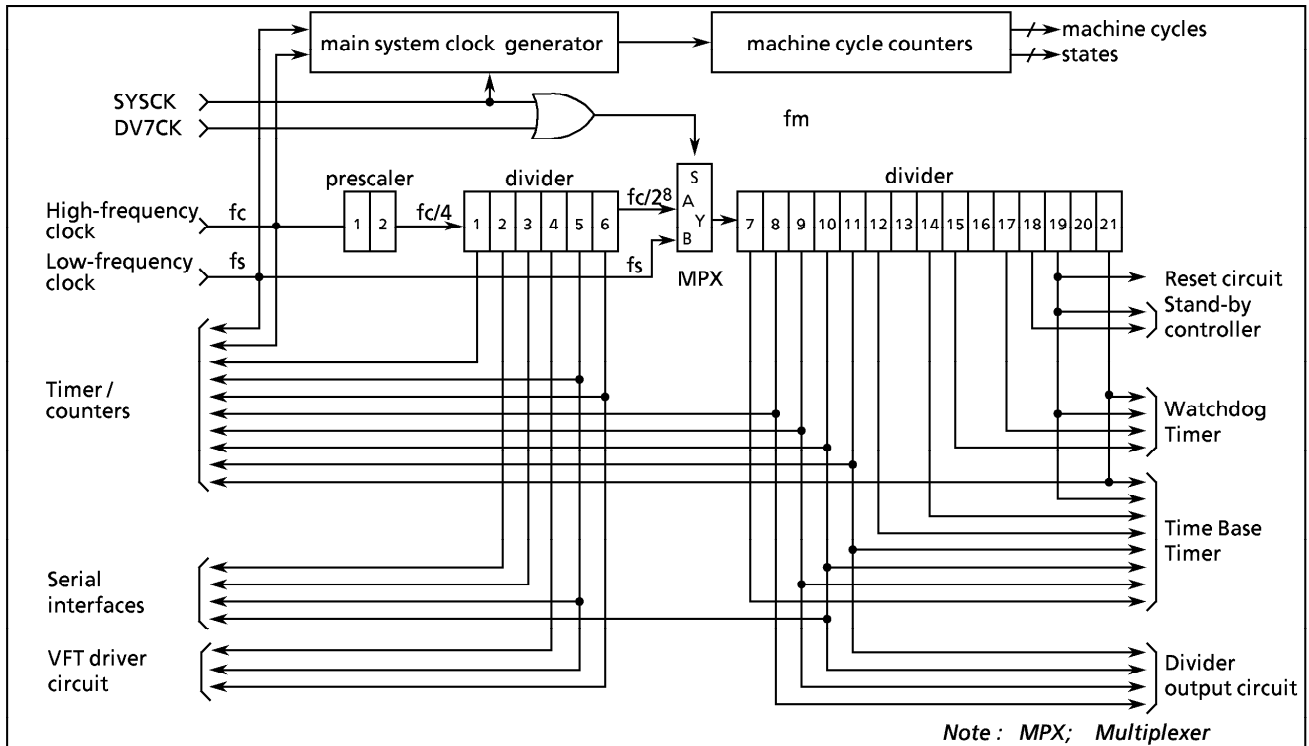


Figure 1-11. Configuration of Timing Generator

TBTCR (0036H)	7	6	5	4	3	2	1	0	(Initial value: 0**0 0***)
	(DVOEN)	(DVOCK)	DV7CK	(TBTEN)	(TBTCK)				
	DV7CK		Selection of input clock to the 7th stage of the divider			0 : $fc/2^8$ [Hz] 1 : $fs$		R/W	

Note 1 :  $fc$  ; high-frequency clock [Hz],  $fs$  ; low-frequency clock [Hz], \* ; don't care  
 Note 2 : Do not set DV7CK to "1" in the single-clock mode.  
 Note 3 : Do not set DV7CK to "1" before low-frequency clock is stable in the dual-clock mode.

Figure 1-12. Timing Generator Control Register

(2) Machine Cycle

Instruction execution and on-chip peripheral hardware operation are synchronized with the main system clock. The minimum instruction execution unit is called an "machine cycle". There are a total of 10 different types of instructions for the TLCS-870 Series: ranging from 1-cycle instructions which require one machine cycle for execution to 10-cycle instructions which require 10 machine cycles forexecution.

A machine cycle consists of 4 states (S0 - S3), and each state consists of one main system clock.



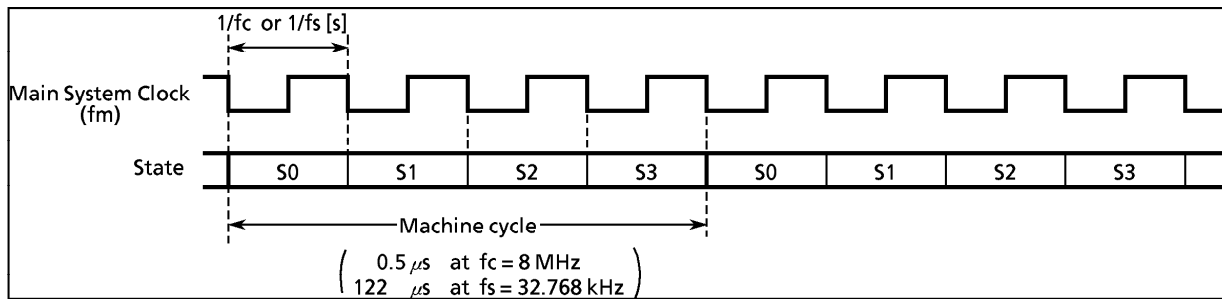


Figure 1-13. Machine Cycle

### 1.8.3 Stand-by Controller

The stand-by controller starts and stops the oscillation circuits for the high-frequency and low-frequency clocks, and switches the main system clock. There are two operating modes: single-clock and dual-clock. These modes are controlled by the system control registers (SYSCR1, SYSCR2).

Figure 1-14 shows the operating mode transition diagram and Figure 1-15 shows the system control registers. Either the single-clock or the dual-clock mode can be selected by an option during reset.

#### (1) Single-clock mode

Only the oscillation circuit for the high-frequency clock is used, and P21 (XTIN) and P22 (XTOUT) pins are used as input/output ports. In the single-clock mode, the machine cycle time is  $4/fc$  [s] ( $0.5 \mu\text{s}$  at  $fc = 8 \text{ MHz}$ ).

##### ① NORMAL1 mode

In this mode, both the CPU core and on-chip peripherals operate using the high-frequency clock. In the case where the single-clock mode has been selected as an option, the 87C874/H74 are placed in this mode after reset.

##### ② IDLE1 mode

In this mode, the internal oscillation circuit remains active. The CPU and the watchdog timer are halted; however, on-chip peripherals remain active (operate using the high-frequency clock). IDLE1 mode is started by setting IDLE bit in the system control register 2 (SYSCR2), and IDLE1 mode is released to NORMAL1 mode by an interrupt request from the on-chip peripherals or external interrupt inputs. When IMF (interrupt master enable flag) is "1" (interrupt enable), the execution will resume upon acceptance of the interrupt, and the operation will return to normal after the interrupt service is completed. When IMF is "0" (interrupt disable), the execution will resume with the instruction which follows IDLE mode start instruction.

##### ③ STOP1 mode

In this mode, the internal oscillation circuit is turned off, causing all system operations to be halted. The internal status immediately prior to the halt is held with the lowest power consumption during this mode. The output status of all output ports can be set to either output hold or high-impedance under software control.

STOP1 mode is started by setting STOP bit in the system control register 1 (SYSCR1), and STOP1 mode is released by an input (either level-sensitive or edge-sensitive can be programmably selected) to the  $\overline{\text{STOP}}$  pin. After the warming-up period is completed, the execution resumes with the next instruction which follows the STOP mode start instruction.

## (2) Dual-clock mode

Both the high-frequency and low-frequency oscillation circuits are used in this mode. P21 (XTIN) and P22 (XTOUT) pins cannot be used as input/output ports. The main system clock is obtained from the high-frequency clock in NORMAL2 and IDLE2 modes, and is obtained from the low-frequency clock in SLOW and SLEEP modes. The machine cycle time is  $4/f_c$  [s] ( $0.5 \mu\text{s}$  at  $f_c = 8 \text{ MHz}$ ) in NORMAL2 and IDLE2 modes, and  $4/f_s$  [s] ( $122 \mu\text{s}$  at  $f_s = 32.768 \text{ kHz}$ ) in SLOW and SLEEP modes. Note that *the 87PM75 is placed in the single-clock mode during reset*. To use the dual-clock mode, the low-frequency oscillator should be turned on by executing [SET (SYSCR2).XTEN] instruction.

### ① NORMAL2 mode

In this mode, the CPU core is operated using the high-frequency clock. The on-chip peripherals are operated on the high-frequency clock and/or low-frequency clock. In case that the dual-clock mode has been selected as an option, the 87C874/H74 are placed in this mode after reset.

### ② SLOW mode

This mode can be used to reduce power-consumption by turning off oscillation of the high-frequency clock. The CPU core and on-chip peripherals are operated using the low-frequency clock.

Switching back and forth between NORMAL2 and SLOW modes is performed by the system control register 2.

### ③ IDLE2 mode

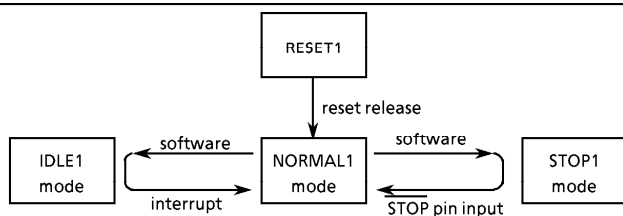
In this mode, the internal oscillation circuits remain active. The CPU and the watchdog timer are halted; however, on-chip peripherals operate using the high-frequency clock and/or the low-frequency clock. Starting and releasing of IDLE2 mode are the same as for IDLE1 mode, except that operation returns to NORMAL2 mode.

### ④ SLEEP mode

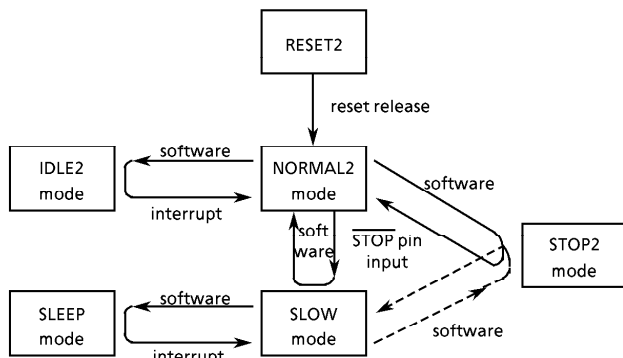
In this mode, the internal oscillation circuit of the low-frequency clock remains active. The CPU, the watchdog timer, and the internal oscillation circuit of the high-frequency clock are halted; however, on-chip peripherals operate using the low-frequency clock. Starting and releasing of SLEEP mode is the same as for IDLE1 mode, except that operation returns to SLOW mode.

### ⑤ STOP2 mode

As in STOP1 mode, all system operations are halted in this mode.



(a) Single-clock mode



(b) Dual-clock mode

**Note 1:** *NORMAL1 and NORMAL2 modes are generically called NORMAL; STOP1 and STOP2 are called STOP; and IDLE1, IDLE2 and SLEEP are called IDLE.*

**Note 2:** *There is not RESET2 in the 87PM74*

Operating mode		Frequency		CPU core	On-chip Peripherals	Machine cycle time
		High-frequency	Low-frequency			
Single-Clock	RESET1	turning on oscillation	turning off oscillation	reset	reset	4/fc [s]
	NORMAL1			operate	operate (Note 1)	
	IDLE1	halt		halt		
	STOP1				turning off oscillation	—
Dual-Clock	RESET2	turning on oscillation	turning on oscillation	reset	reset	4/fc [s]
	NORMAL2			High-frequency	operate (High and/or Low) (Note 1)	
	IDLE2			halt		
	SLOW	turning off oscillation		Low-frequency	Low-frequency (Note 2)	4/fs [s]
	SLEEP			halt		
	STOP2				turning off oscillation	halt

**Note 1:** *The Vacuum Fluorescent Tube (VFT) driver circuit are halted.*

Figure 1-14. Operating Mode Transition Diagram

System Control Register 1

SYSCR1 (0038 <sub>H</sub> )	7	6	5	4	3	2	1	0	(Initial value: 0000 00**)
	STOP	RELM	RETM	OUTEN	WUT				
STOP	STOP mode start		0 : CPU core and peripherals remain active 1 : CPU core and peripherals are halted (start STOP mode)						R/W
RELM	Release method for STOP mode		0 : Edge-sensitive release 1 : Level-sensitive release						
RETM	Operating mode after STOP mode		0 : Return to NORMAL mode 1 : Return to SLOW mode						
OUTEN	Port output control during STOP mode		0 : High-impedance 1 : Remain unchanged						
WUT	Warming-up time at releasing STOP mode		00 : $3 \times 2^{19} / f_c$ or $3 \times 2^{13} / f_s$ [s] 01 : $2^{19} / f_c$ or $2^{13} / f_s$ 1* : Reserved						

Note 1 : Always set RETM to "0" when transiting from NORMAL1 mode to STOP1 mode and from Normal2 mode to STOP2 mode.

Always set RETM to "1" when transiting from SLOW mode to STOP2 mode.

Note 2 : When STOP mode is released with  $\overline{\text{RESET}}$  pin input, a return is made to NORMAL mode regardless of the RETM contents.

Note 3 :  $f_c$  ; high-frequency clock [Hz]  
 $f_s$  ; low-frequency clock [Hz]  
 \* ; don't care

Note 4 : Bits 1 and 0 in SYSCR1 are read in as undefined data when a read instruction is executed.

Note 5 : In STOP operation by setting OUTEN = "0", an internal input is always set to "0" so that an interrupt of the falling edge may be set.

System Control Register 2

SYSCR2 (0039 <sub>H</sub> )	7	6	5	4	3	2	1	0	(Initial value: 10/100 ****)
	XEN	XTEN	SYSCK	IDLE					
XEN	High-frequency oscillator control		0 : Turn off oscillation 1 : Turn on oscillation						R/W
XTEN	Low-frequency oscillator control		0 : Turn off oscillation 1 : Turn on oscillation						
SYSCK	Main system clock select (write)/main system clock monitor (read)		0 : High-frequency clock 1 : Low-frequency clock						
IDLE	IDLE mode start		0 : CPU and watchdog timer remain active 1 : CPU and watchdog timer are stopped (start IDLE mode)						

Note 1 : A reset is applied ( $\overline{\text{RESET}}$  pin output goes low) if both XEN and XTEN are cleared to "0".

Note 2 : Do not clear XEN to "0" when SYSCK = 0, and do not clear XTEN to "0" when SYSCK = 1.

Note 3 : WDT; watchdog timer, \* ; don't care

Note 4 : Bits 3 - 0 in SYSCR2 are always read in as "1" when a read instruction is executed.

Note 5 : An optional initial value can be selected for XTEN. Always specify when ordering ES (engineering sample).

XTEN	operating mode after reset
0	Single-clock mode (NORMAL1)
1	Dual-clock mode (NORMAL2)

Figure 1-15. System Control Registers

## 1.8.4 Operating Mode Control

### (1) STOP mode (STOP1, STOP2)

STOP mode is controlled by the system control register 1 (SYSCR1) and the  $\overline{\text{STOP}}$  pin input. The  $\overline{\text{STOP}}$  pin is also used both as a port P20 and an  $\overline{\text{INT5}}$  (external interrupt input 5) pin. STOP mode is started by setting STOP (bit 7 in SYSCR1) to "1". During STOP mode, the following status is maintained.

- ① Oscillations are turned off, and all internal operations are halted.
- ② The data memory, registers and port output latches are all held in the status in effect before STOP mode was entered. The port output can be select either output hold or high-impedance by setting OUTEN ( bit 4 in SYSCR1).
- ③ The divider of the timing generator is cleared to "0".
- ④ The program counter holds the address of the instruction following the instruction which started STOP mode.

STOP mode includes a level-sensitive release mode and an edge-sensitive release mode, either of which can be selected with RELM (bit 6 in SYSCR1).

#### a. Level-sensitive release mode (RELM = 1)

In this mode, STOP mode is released by setting the  $\overline{\text{STOP}}$  pin high. This mode is used for capacitor back-up when the main power supply is cut off and for long term battery back-up.

When the  $\overline{\text{STOP}}$  pin input is high, executing an instruction which starts the STOP mode will not place in the STOP mode but instead will immediately start the release sequence (warm-up). Thus, to start the STOP mode in the level-sensitive release mode, it is necessary for the program to first confirm that the  $\overline{\text{STOP}}$  pin input is low. The following method can be used for confirmation:

- Using an external interrupt input  $\overline{\text{INT5}}$  ( $\overline{\text{INT5}}$  is a falling edge-sensitive input).

Example : Starting STOP mode with an INT5 interrupt.

```

PINT5:      TEST      (P2) . 0           ; To reject noise, STOP mode does not start if
                                                port P20 is at high

              JRS      F, SINT5
              LD       (SYSCR1), 01000000B ; Sets up the level-sensitive release mode.
              SET     (SYSCR1) . 7       ; Starts STOP mode
              LDW     (IL), 1111011101010111B ; IL11, 7, 5, 3 ← 0 (Clears interrupt latches)

SINT5:      RETI
  
```

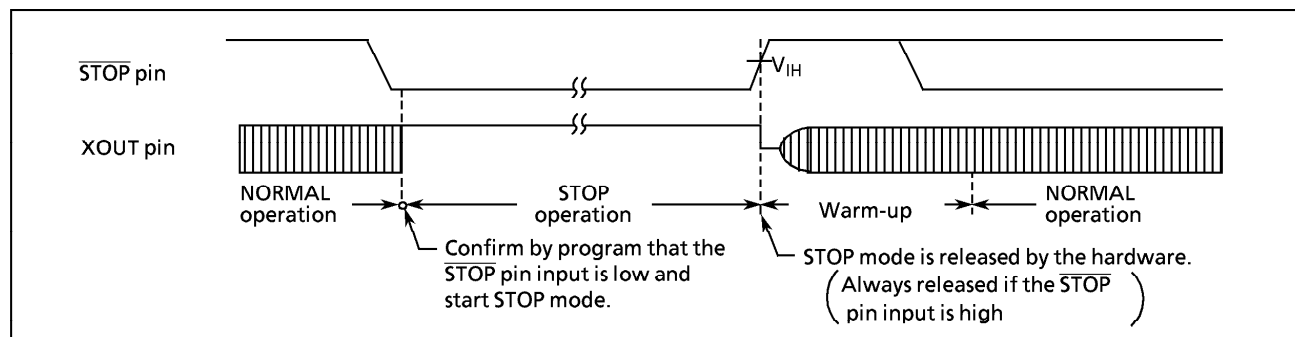


Figure 1-16. Level-sensitive Release Mode

**Note :** When changing to the level-sensitive release mode from the edge-sensitive release mode, the release mode is not switched until a rising edge of the  $\overline{\text{STOP}}$  pin input is detected.

**b. Edge-sensitive release mode (RELM = 0)**

In this mode, STOP mode is released by a rising edge of the  $\overline{\text{STOP}}$  pin input. This is used in applications where a relatively short program is executed repeatedly at periodic intervals. This periodic signal (for example, a clock from a low-power consumption oscillator) is input to the  $\overline{\text{STOP}}$  pin.

In the edge-sensitive release mode, STOP mode is started even when the  $\overline{\text{STOP}}$  pin input is high.

Example : Starting STOP mode operation in the edge-sensitive release mode

```

PINT5: LD (SYSCR1), 00000000B ; OUTEN ← 0 (specifies high-impedance)
        DI ; IMF ← 0 (disables interrupt service)
        SET (SYSCR1). STOP ; STOP ← (activates stop mode)
        LDW (IL), 11110111010111B ; IL11, 7, 5, 3 ← 0 (Clears interrupt latehes)
        EI ; IMF ← 1 (enables interrupt service)
    
```

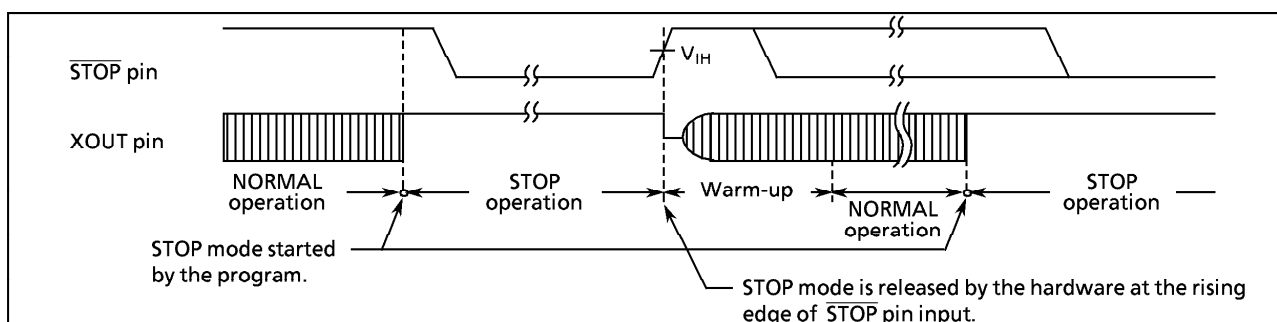


Figure 1-17. Edge-sensitive Release Mode

STOP mode is released by the following sequence:

- ① In the dual-clock mode. When returning to NORMAL2, both the high-frequency and low-frequency clock oscillators are turned on ; when returning to SLOW mode, only the low-frequency clock oscillator is turned on. When returning to Normal 1, only the high-frequency clock oscillator is turned on.
- ② A warming-up period is inserted to allow oscillation time to stabilize. During warm-up, all internal operations remain halted. Two different warming-up times can be selected with WUT ( bits 2 and 3 in SYSCR1) as determined by the resonator characteristics.
- ③ When the warming-up time has elapsed, normal operation resumes with the instruction following the STOP mode start instruction (e.g. [SET (SYSCR1). 7]). The start is made after the divider of the timing generator is cleared to "0".

Table 1-1. Warming-up Time example

Return to NORMAL1 mode			Return to SLOW mode	
WUT	At $f_c = 4.194304$ MHz	At $f_c = 8$ MHz	WUT	At $f_s = 32.768$ kHz
$3 \times 2^{19} / f_c$ [s]	375 [ms]	196.6 [ms]	$3 \times 2^{13} / f_s$ [s]	750 [ms]
$2^{19} / f_c$	125	65.5	$2^{13} / f_s$	250

*Note : The warming-up time is obtained by dividing the basic clock by the divider: therefore, the warming-up time may include a certain amount of error if there is any fluctuation of the oscillation frequency when STOP mode is released. Thus, the warming-up time must be considered an approximate value.*

STOP mode can also be released by setting the  $\overline{\text{RESET}}$  pin low, which immediately performs the normal reset operation.

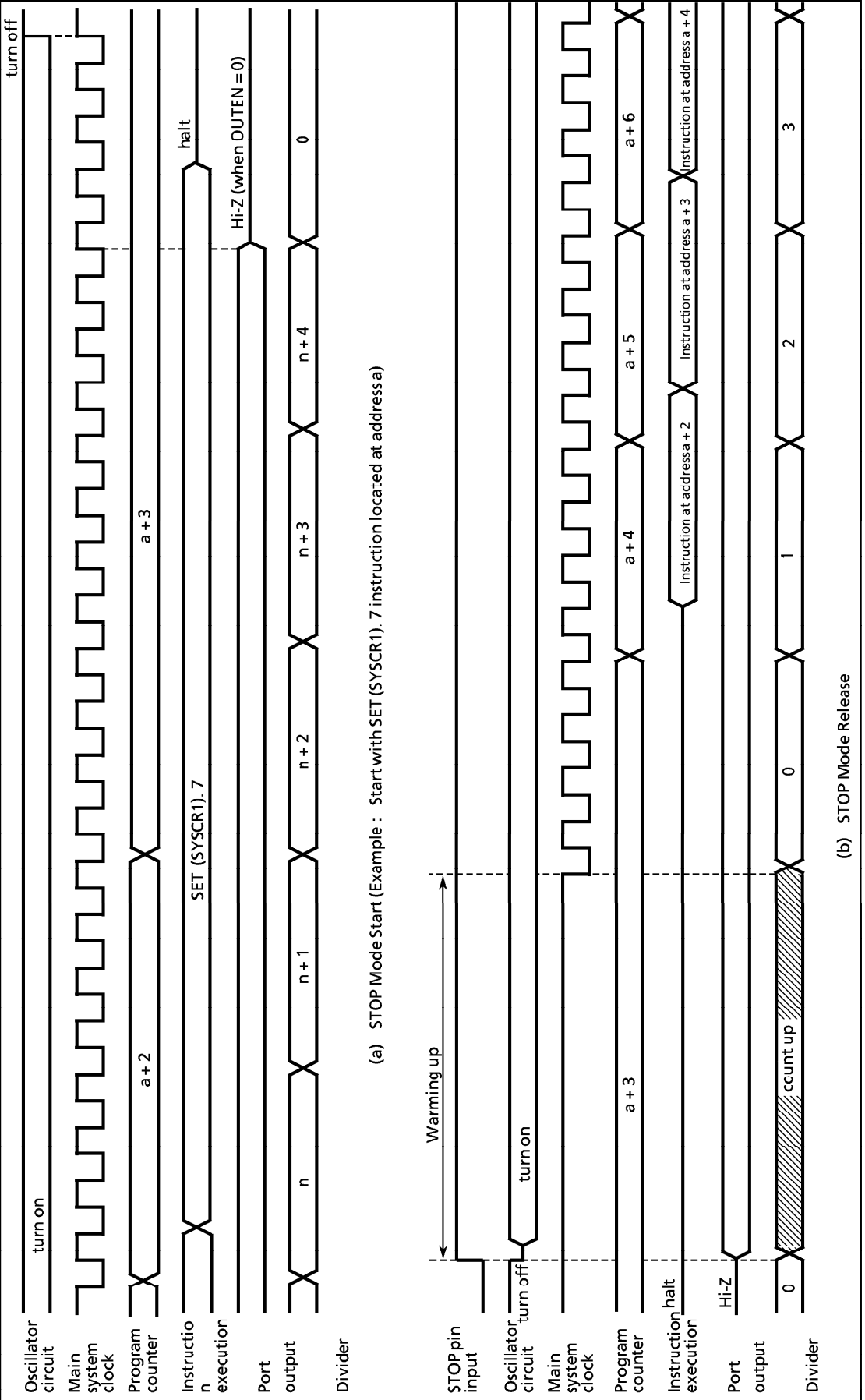


Figure 1-18. STOP Mode Start / Release

*Note : When STOP mode is released with a low hold voltage, the following cautions must be observed.*

*The power supply voltage must be at the operating voltage level before releasing the STOP mode. The  $\overline{\text{RESET}}$  pin input must also be high, rising together with the power supply voltage. In this case, if an external time constant circuit has been connected, the  $\overline{\text{RESET}}$  pin input voltage will increase at a slower rate than the power supply voltage. At this time, there is a danger that a reset may occur if input voltage level of the  $\overline{\text{RESET}}$  pin drops below the non-inverting high-level input voltage (hysteresis input).*

## (2) IDLE mode (IDLE1, IDLE2, SLEEP)

IDLE mode is controlled by the system control register 2 and maskable interrupts. The following status is maintained during IDLE mode.

- ① Operation of the CPU and watchdog timer is halted. The on-chip peripherals continue to operate.
- ② The data memory, CPU registers and port output latches are all held in the status in effect before IDLE mode was entered.
- ③ The program counter holds the address of the instruction following the instruction which started IDLE mode.

Example : Starting IDLE mode.

```
SET      (SYSCR2).4      ; IDLE←1
```

IDLE mode includes a normal release mode and an interrupt release mode. Selection is made with the interrupt master enable flag (IMF). Releasing the IDLE mode returns from IDLE1 to NORMAL1, from IDLE2 to NORMAL2, and from SLEEP to SLOW mode.

### a. Normal release mode (IMF = "0")

IDLE mode is released by any interrupt source enabled by the individual interrupt enable flag (EF) or an external interrupt 0 ( $\overline{\text{INT0}}$  pin) request. Execution resumes with the instruction following the IDLE mode start instruction (e.g. [SET (SYSCR2).4]).

### b. Interrupt release mode (IMF = "1")

IDLE mode is released and interrupt processing is started by any interrupt source enabled with the individual interrupt enable flag (EF) or an external interrupt 0 ( $\overline{\text{INT0}}$  pin) request. After the interrupt is processed, the execution resumes from the instruction following the instruction which started IDLE mode.

IDLE mode can also be released by setting the  $\overline{\text{RESET}}$  pin low, which immediately performs the reset operation. After reset, the 87C874/H74 are placed in NORMAL mode.

*Note : When a watchdog timer interrupt is generated immediately before IDLE mode is started, the watchdog timer interrupt will be processed but IDLE mode will not be started.*

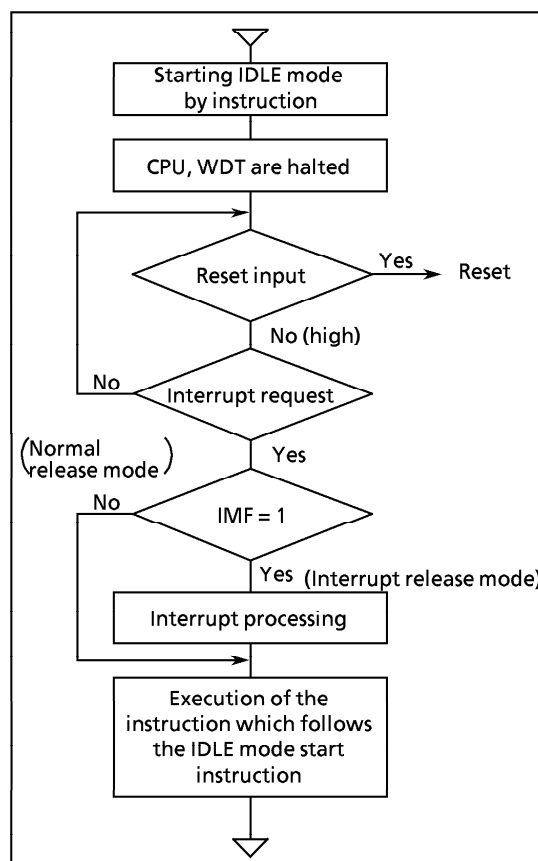


Figure 1-19. IDLE Mode



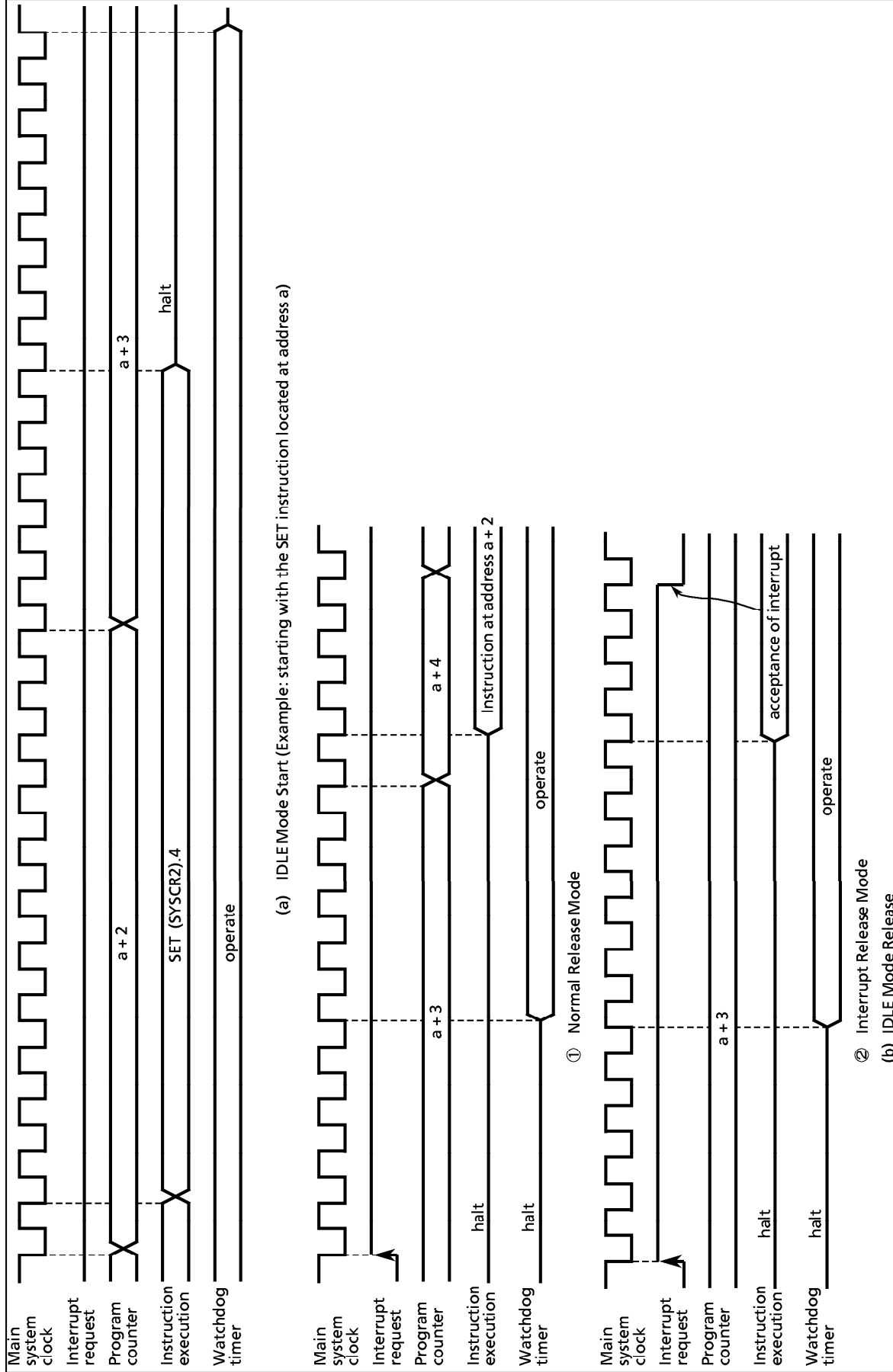


Figure 1-20. IDLE Mode Start/Release

## (3) SLOW mode

SLOW mode is controlled by the system control register 2 and the timer/counter 2.

## a. Switching from NORMAL2 mode to SLOW mode

First, set SYSCK (bit 5 in SYSCR2) to switch the main system clock to the low-frequency clock. Next, clear XEN (bit 7 in SYSCR2) to turn off high-frequency oscillation.

*Note : The high frequency clock can be continued oscillation in order to return to NORMAL2 mode from SLOW mode quickly. Always turn off oscillation of high frequency clock when switching from SLOW mode to STOP mode.*

When the low-frequency clock oscillation is unstable, wait until oscillation stabilizes before performing the above operations. The timer/counter 2 (TC2) can conveniently be used to confirm that low-frequency clock oscillation has stabilized.

Example1 : Switching from NORMAL2 mode to SLOW mode.

```

SET      (SYSCR2) . 5      ; SYSCK←1 (Switches the main system clock to the
                           low-frequency clock)
CLR      (SYSCR2) . 7      ; XEN←0   (turns off high-frequency oscillation)

```

Example2 : Switching to SLOW mode after low-frequency clock oscillation has stabilized.

```

LD      (TC2CR), 14H      ; Sets TC2 mode
                           (timer mode, source clock : fs)
LDW     (TREG2), 8000H    ; Sets warming-up time
                           (according to Xtal characteristics)
SET     (EIRH) . EF14     ; Enable INTTC2 interrupt
LD      (TC2CR), 34H      ; Starts TC2
:
PINTTC2 : LD      (TC2CR), 10H ; Stops TC2
          SET     (SYSCR2) . 5 ; SYSCK←1
          CLR     (SYSCR2) . 7 ; XEN←0
          RETI
          :
VINTTC2 : DW      PINTTC2    ; INTTC2 vector table

```

## b. Switching from SLOW mode to NORMAL2 mode

First, set XEN (bit 7 in SYSCR2) to turn on the high-frequency oscillation. When time for stabilization (warm-up) has been taken by the timer/counter 2 (TC2), clear SYSCK (bit 5 in SYSCR2) to switch the main system clock to the high-frequency clock.

SLOW mode can also be released by setting the RESET pin low, which immediately performs the reset operation. After reset, the 87CC78/H78/K78/M78 are placed in NORMAL mode.

Example : Switching from SLOW mode to NORMAL2 mode (fc = 8 MHz, warming-up time is about 7.9 ms).

```

SET      (SYSCR2) . 7      ; XEN←1   (turns on high-frequency oscillation)
LD      (TC2CR), 10H      ; Sets TC2 mode
                           (timer mode, source clock: fc)
LD      (TREG2 + 1), 0F8H ; Sets the warming-up time
                           (according to frequency and resonator characteristics)
SET     (EIRH) . EF14     ; Enable INTTC2 interrupt
LD      (TC2CR), 30H      ; Starts TC2
:
PINTTC2 : LD      (TC2CR), 10H ; Stops TC2
          CLR     (SYSCR2) . 5 ; SYSCK←0 (Switches the main system clock to the
                           high-frequency clock)
          RETI
          :
VINTTC2 : DW      PINTTC2    ; INTTC2 vector table

```

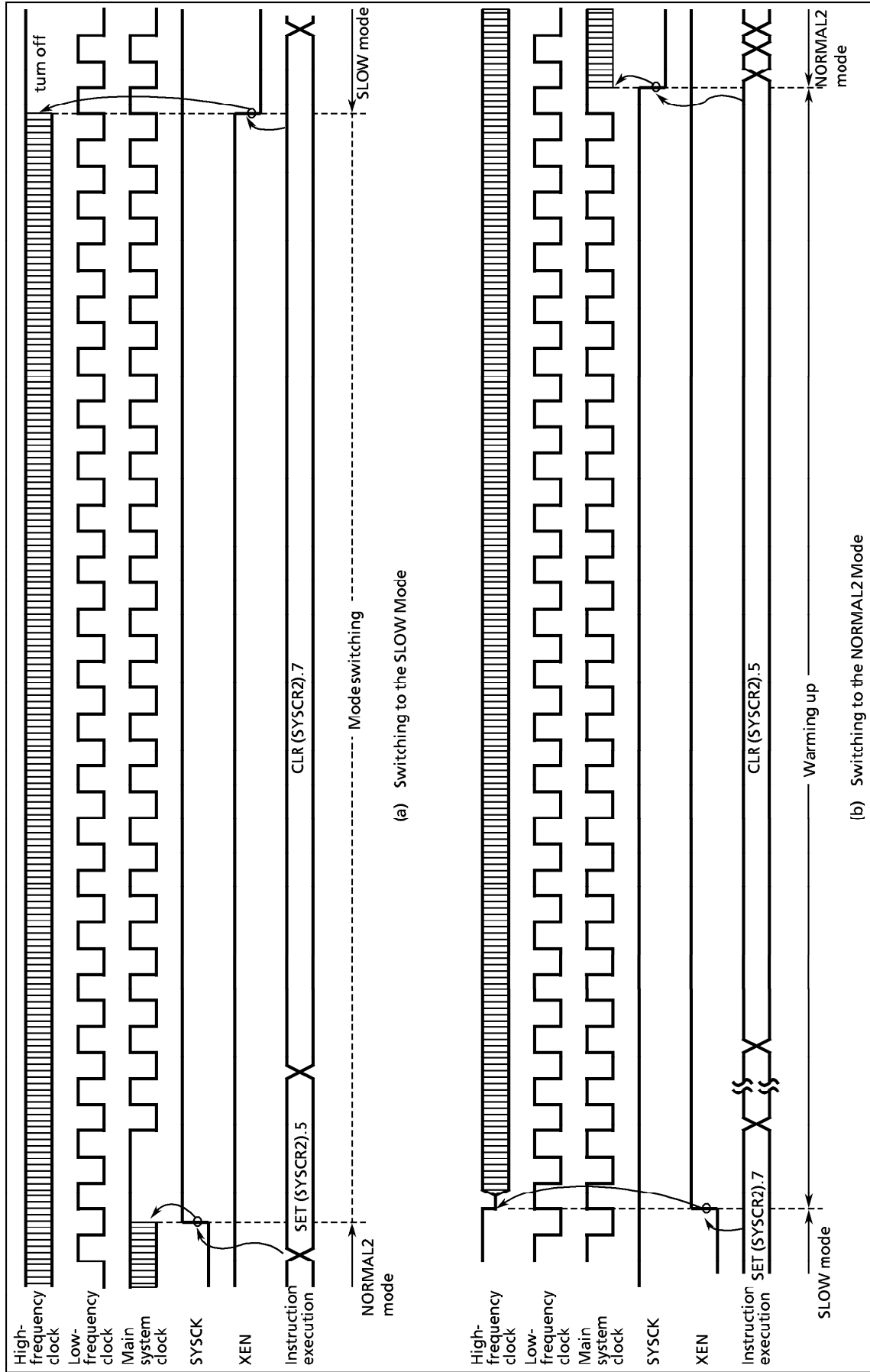


Figure 1-21. Switching between the NORMAL2 and SLOW Modes

## 1.9 Interrupt Controller

The 87C874/H74 each have a total of 15 interrupt sources: 6 externals and 9 internals. Nested interrupt control with priorities is also possible. Two of the internal sources are pseudo non-maskable interrupts; the remainder are all maskable interrupts.

Interrupt latches (IL) that hold the interrupt requests are provided for interrupt sources. Each interrupt vector is independent.

The interrupt latch is set to "1" when an interrupt request is generated and requests the CPU to accept the interrupt. The acceptance of maskable interrupts can be selectively enabled and disabled by the program using the interrupt master enable flag (IMF) and the individual interrupt enable flags (EF). When two or more interrupts are generated simultaneously, the interrupt is accepted in the highest priority order as determined by the hardware. Figure 1-22 shows the interrupt controller.

Table 1-2. Interrupt Sources

Interrupt Source		Enable Condition	Interrupt Latch	Vector Table Address	Priority
Internal/External	(Reset)	Non-Maskable	—	FFFE <sub>H</sub>	High 0
Internal	INTSW (Software interrupt)	Pseudo	—	FFFCH	1
Internal	INTWDT (Watchdog Timer interrupt)	non-maskable	IL <sub>2</sub>	FFFA <sub>H</sub>	2
External	INT0 (External interrupt 0)	IMF = 1, INTOEN = 1	IL <sub>3</sub>	FFF8 <sub>H</sub>	3
Internal	INTTC1 (16-bit TC1 interrupt)	IMF · EF <sub>4</sub> = 1	IL <sub>4</sub>	FFF6 <sub>H</sub>	4
External	INT1 (External interrupt 2)	IMF · EF <sub>5</sub> = 1	IL <sub>5</sub>	FFF4 <sub>H</sub>	5
Internal	INTTBT (Time Base Timer interrupt)	IMF · EF <sub>6</sub> = 1	IL <sub>6</sub>	FFF2 <sub>H</sub>	6
External	INT2 (External interrupt 2)	IMF · EF <sub>7</sub> = 1	IL <sub>7</sub>	FFF0 <sub>H</sub>	7
Internal	INTTC3 (8-bit TC3 interrupt)	IMF · EF <sub>8</sub> = 1	IL <sub>8</sub>	FFEE <sub>H</sub>	8
Internal	INTSBI (Serial Bus Interface interrupt)	IMF · EF <sub>9</sub> = 1	IL <sub>9</sub>	FFEC <sub>H</sub>	9
Internal	INTTC4 (8-bit TC4 interrupt)	IMF · EF <sub>10</sub> = 1	IL <sub>10</sub>	FFEA <sub>H</sub>	10
External	INT3 (External interrupt 3)	IMF · EF <sub>11</sub> = 1	IL <sub>11</sub>	FFE8 <sub>H</sub>	11
External	INT4 (External interrupt 4)	IMF · EF <sub>12</sub> = 1	IL <sub>12</sub>	FFE6 <sub>H</sub>	12
Internal	INTSIO1 (Serial interface1 interrupt)	IMF · EF <sub>13</sub> = 1	IL <sub>13</sub>	FFE4 <sub>H</sub>	13
Internal	INTTC2 (16-bit TC2 interrupt)	IMF · EF <sub>14</sub> = 1	IL <sub>14</sub>	FFE2 <sub>H</sub>	14
External	INT5 (External interrupt 5)	IMF · EF <sub>15</sub> = 1	IL <sub>15</sub>	FFE0 <sub>H</sub>	Low 15

### (1) Interrupt Latches (IL<sub>15-2</sub>)

Interrupt latches are provided for each source, except for a software interrupt. The latch is set to "1" when an interrupt request is generated, and requests the CPU to accept the interrupt. The latch is cleared to "0" just after the interrupt is accepted. All interrupt latches are initialized to "0" during reset.

Interrupt latches are assigned to addresses 003C<sub>H</sub> and 003D<sub>H</sub> in the SFR. Each latch can be cleared to "0" individually by an instruction; however, *the read-modify-write instruction such as bit manipulation or operation instructions cannot be used (Do not clear the IL<sub>2</sub> for a watchdog timer interrupt to "0")*. Thus, interrupt requests can be canceled and initialized by the program. Note that interrupt latches cannot be set to "1" by any instruction.

The contents of interrupt latches can be read out by an instruction. Therefore, testing interrupt requests by software is possible.

Example 1 : Clears interrupt latches

```
LDW      (IL), 1110100000111111B      ; IL12, IL10 - IL6 ← 0
```

Example 2 : Reads interrupt latches

```
LD      WA, (IL)                       ; W ← ILH, A ← ILL
```

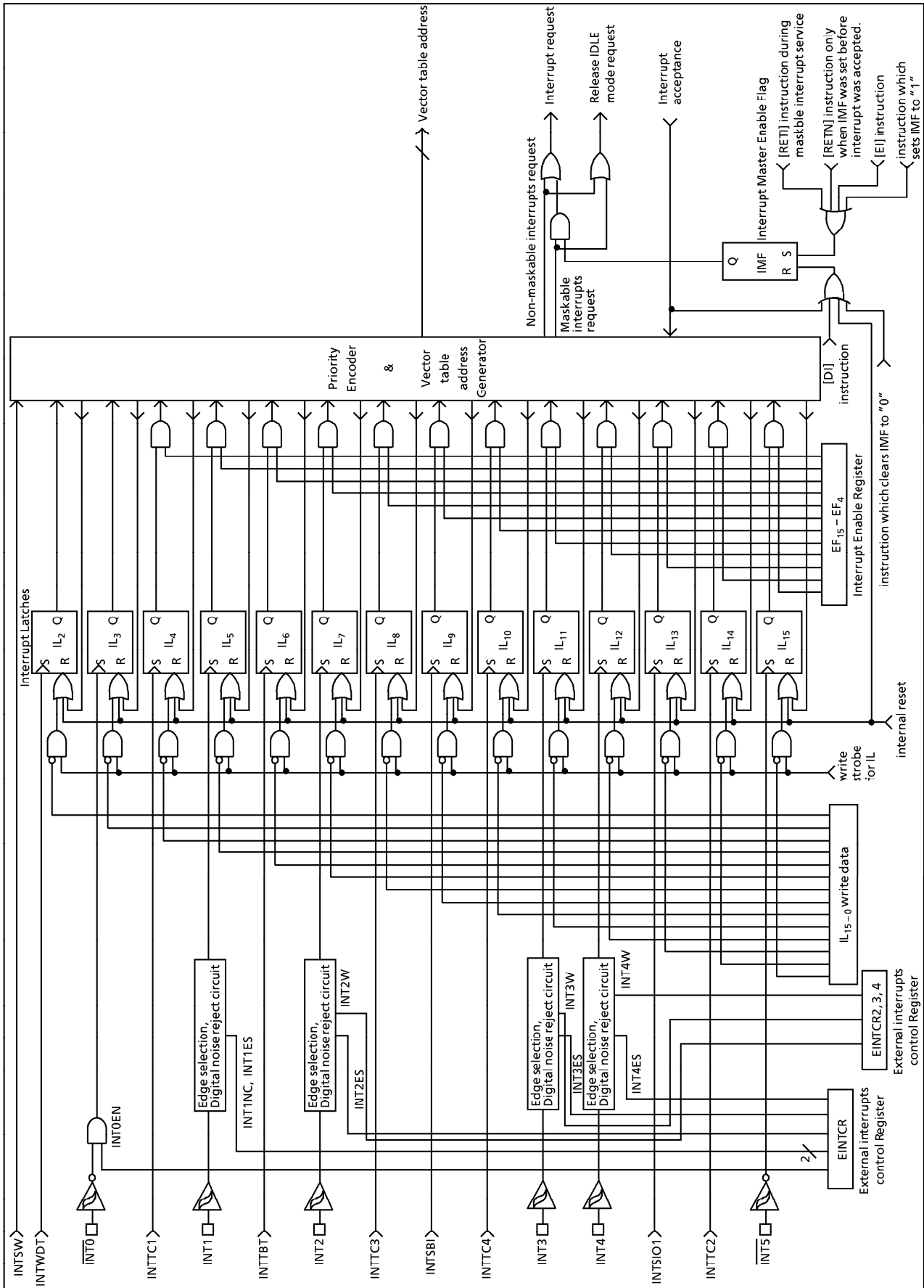


Figure 1-22. Interrupt Controller Block Diagram

Example 3: Tests an interrupt latch

```
TEST    (IL).7           ; if IL7 = 1 then jump
JR      F, SSET
```

(2) **Interrupt Enable Register (EIR)**

The interrupt enable register (EIR) enables and disables the acceptance of interrupts, except for the pseudo non-maskable interrupts (software and watchdog timer interrupts). Pseudo non-maskable interrupts are accepted regardless of the contents of the EIR; however, the pseudo non-maskable interrupts cannot be nested more than once at the same time. For example, the watchdog timer interrupt is not accepted during the software interrupt service.

The EIR consists of an interrupt master enable flag (IMF) and the individual interrupt enable flags (EF). This register is assigned to addresses 003A<sub>H</sub> and 003B<sub>H</sub> in the SFR, and can be read and written by an instruction (including read-modify-write instructions such as bit manipulation instructions).

① **Interrupt Master enable Flag (IMF)**

The interrupt master enable flag (IMF) enables and disables the acceptance of all interrupts, except for pseudo non-maskable interrupts. Clearing this flag to "0" disables the acceptance of all maskable interrupts. Setting to "1" enables the acceptance of interrupts. When an interrupt is accepted, this flag is cleared to "0" to temporarily disable the acceptance of maskable interrupts. After execution of the interrupt service program, this flag is set to "1" by the maskable interrupt return instruction [RETI] to again enable the acceptance of interrupts. If an interrupt request has already been occurred, interrupt service starts immediately after execution of the [RETI] instruction.

Pseudo non-maskable interrupts are returned by the [RETN] instruction. In this case, the IMF is set to "1" only when pseudo non-maskable interrupt service is started with interrupt acceptance enabled (IMF = 1). Note that the IMF remains "0" when cleared by the interrupt service program.

The IMF is assigned to bit 0 at address 003A<sub>H</sub> in the SFR, and can be read and written by an instruction. The IMF is normally set and cleared by the [EI] and [DI] instructions, and the IMF is initialized to "0" during reset.

*Note : Do not set IMF to "1" during non-maskable interrupt service programs.*

② **Individual interrupt Enable Flags (EF<sub>15</sub> – EF<sub>4</sub>)**

These flags enable and disable the acceptance of individual maskable interrupts, except for an external interrupt 0. Setting the corresponding bit of an individual interrupt enable flag to "1" enables acceptance of an interrupt, setting the bit to "0" disables acceptance.

Example 1 : Sets EF for individual interrupt enable, and sets IMF to "1".

```
LDW    (EIR), 1110100010100001B ; EF15 – EF13, EF11, EF7, EF5, IMF ← 1
```

Example 2 : Sets an individual interrupt enable flag to "1".

```
SET    (EIRH).4           ; EF12 ← 1
```

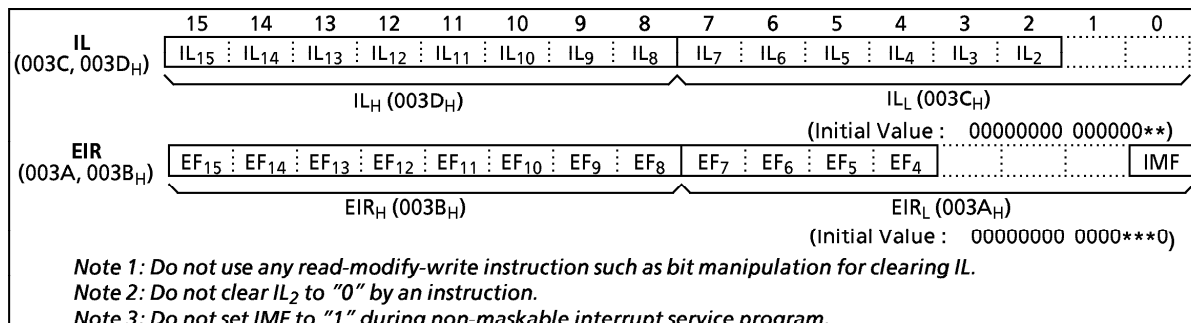


Figure 1-23. Interrupt Latch (IL) and Interrupt Enable Register (EIR)

1.9.1 Interrupt Sequence

An interrupt request is held until the interrupt is accepted or the interrupt latch is cleared to "0" by a reset or an instruction. Interrupt acceptance sequence requires 8 machine cycles (4 μs at fc = 8 MHz in the NORMAL mode) after the completion of the current instruction execution. The interrupt service task terminates upon execution of an interrupt return instruction [RETI] (for maskable interrupts) or [RETN] (for pseudo non-maskable interrupts).

(1) Interrupt acceptance processing is as follows:

- ① The interrupt master enable flag (IMF) is cleared to "0" to temporarily disable the acceptance of any following maskable interrupts. When a non-maskable interrupt is accepted, the acceptance of any following interrupts is temporarily disabled.
- ② The interrupt latch (IL) for the interrupt source accepted is cleared to "0".
- ③ The contents of the program counter (return address) and the program status word are saved (pushed) on the stack.
- ④ The entry address of the interrupt service program is read from the vector table, and the entry address is loaded to the program counter.
- ⑤ The instruction stored at the entry address of the interrupt service program is executed.

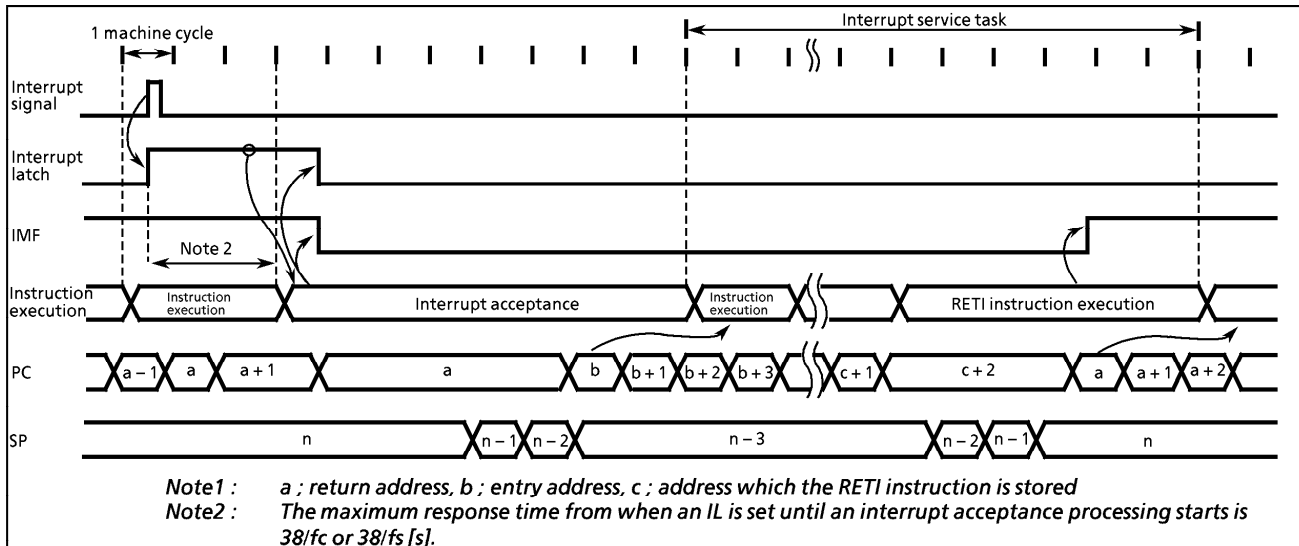
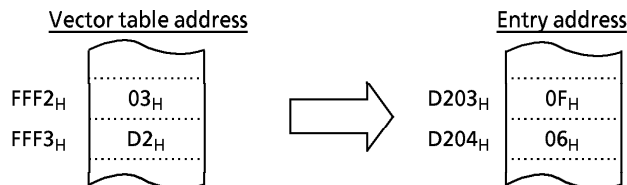


Figure 1-24. Timing Chart of Interrupt Acceptance and Interrupt Return Instruction

Example : Correspondence between vector table address for INTTBT and the entry address of the interrupt service program.



A maskable interrupt is not accepted until the IMF is set to "1" even if a maskable interrupt of higher priority than that of the current interrupt being serviced.

When nested interrupt service is necessary, the IMF is set to "1" in the interrupt service program. In this case, acceptable interrupt sources are selectively enabled by the individual interrupt enable flags. However, an acceptance of external interrupt 0 cannot be disabled by the EF; therefore, if disablement is necessary, either the external interrupt function of the INT0 pin must be disabled with the INTOEN in the external interrupt control register (EINTCR) or interrupt processing must be avoided by the program.

Example 1 : Disables an external interrupt 0 using INTOEN

```
LD (EINTCR), 0000000B ; INTOEN←0
```

Example 2 : Disables the processing of external interrupt 0 under the software control (using bit 0 at address 00F0<sub>H</sub> as the interrupt processing disable switch)

```
PINT0 : TEST (00F0H).0 ; Return without interrupt processing if (00F0H)0 = 1
        JRS T, SINT0
        RETI
SINT0 : Interrupt processing
        RETI
        ⋮
VINT0 : DW PINT0
```

(2) General-purpose registers save/restore processing

During interrupt acceptance processing, the program counter and the program status word are automatically saved on the stack, but not the accumulator and other registers. These registers are saved by the program if necessary. Also, when nesting multiple interrupt services, it is necessary to avoid using the same data memory area for saving registers.

The following method is used to save/restore the general-purpose registers:

① General-purpose register save/restore by register bank changeover:

The general-purpose registers can be saved at high-speed by switching to a register bank that is not in use. Normally, bank 0 is used for the main task and banks 1 to 15 are assigned to interrupt service tasks. To increase the efficiency of data memory utilization, the same bank is assigned for interrupt sources which are not nested.

The switched bank is automatically restored by executing an interrupt return instruction [RETI] or [RETN]. Therefore, it is not necessary for a program to save the RBS.

Example : Register Bank Changeover

```
PINTxx : LD RBS, n ; Switches to bank n (1 μs at 8 MHz)
        interrupt processing
        RETI ; Restores bank and Returns
```

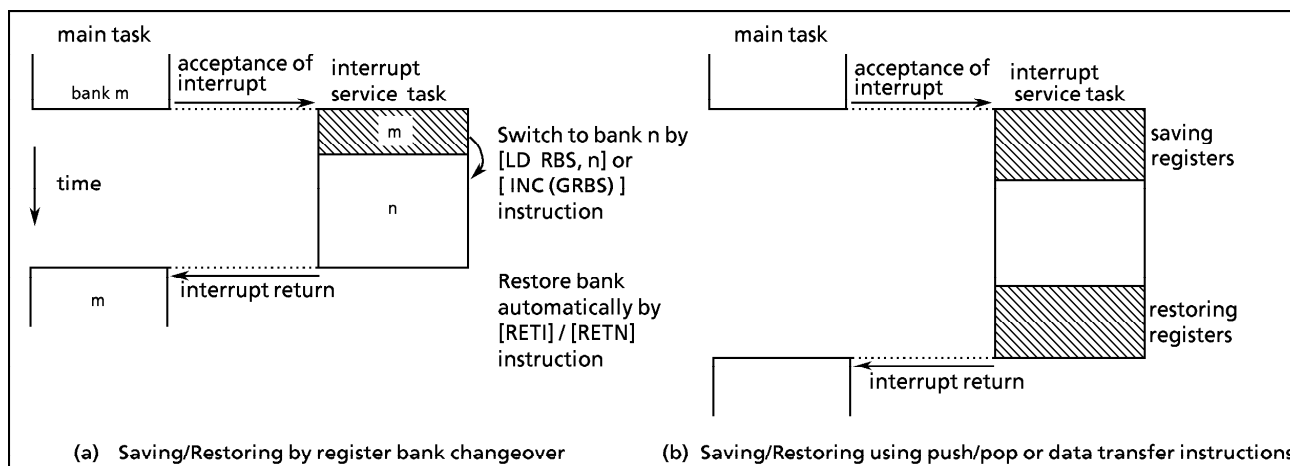


Figure 1-25. Saving/Restoring General-purpose Registers

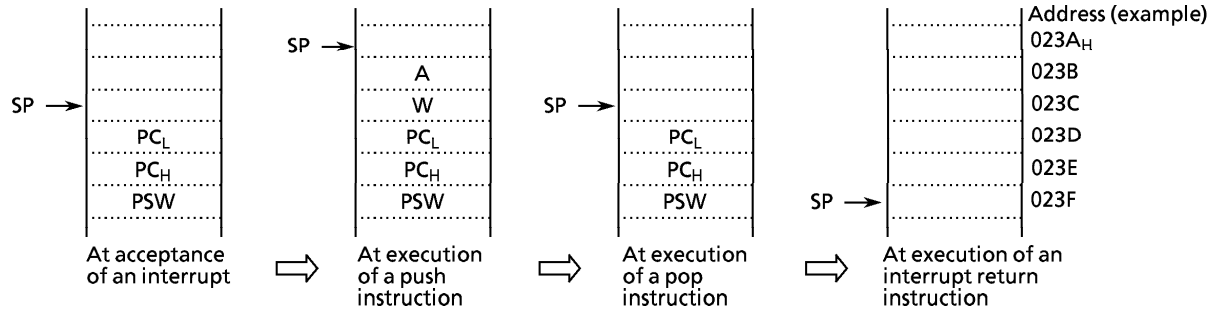
② General-purpose register save/restore using push and pop instructions:

To save only a specific register, and when the same interrupt source occurs more than once, the general-purpose registers can be saved/restored using push/pop instructions.



Example : Register save using push and pop instructions

```
PINTxx :   PUSH    WA           ; Save WA register pair
           [interrupt processing]
           POP     WA           ; Restore WA register pair
           RETI                ; Return
```



- ③ General-purpose registers save/restore using data transfer instructions:  
Data transfer instructions can be used to save only a specific general-purpose register during processing of a single interrupt.

Example : Saving/restoring a register using data transfer instructions

```
PINTxx :   LD      (GSAVA), A    ; Save A register
           [interrupt processing]
           LD     A, (GSAVA)    ; Restore A register
           RETI                ; Return from interrupt service
```

The interrupt return instructions [RETI] / [RETN] perform the following operations.

[RETI] Maskable interrupt return	[RETN] Non-maskable interrupt return
① The contents of the program counter and the program status word are restored from the stack.	① The contents of the program counter and program status word are restored from the stack.
② The stack pointer is incremented 3 times.	② The stack pointer is incremented 3 times.
③ The interrupt master enable flag is set to "1".	③ The interrupt master enable flag is set to "1" only when a non-maskable interrupt is accepted in interrupt enable status. However, the interrupt master enable flag remains at "0" when so clear by an interrupt service program.

Interrupt requests are sampled during the final cycle of the instruction being executed. Thus, the next interrupt can be accepted immediately after the interrupt return instruction is executed.

*Note :When the interrupt processing time is longer than the interrupt request generation time, the interrupt service task is performed but not the main task.*

### 1.9.2 Software Interrupt (INTSW)

Executing the [SWI] instruction generates a software interrupt and immediately starts interrupt processing (INTSW is highest prioritized interrupt). However, if processing of a non-maskable interrupt is already underway, executing the SWI instruction will not generate a software interrupt but will result in the same operation as the [NOP] instruction. Thus, the [SWI] instruction behaves like the [NOP] instruction.

Use the [SWI] instruction only for detection of the address error or for debugging.

① Address Error Detection

FF<sub>H</sub> is read if for some cause such as noise the CPU attempts to fetch an instruction from a non-existent memory address. Code FF<sub>H</sub> is the SWI instruction, so a software interrupt is generated and an address error is detected. The address error detection range can be further expanded by writing FF<sub>H</sub> to unused areas of the program memory. the address trap reset is generated in case that an instruction is fetched from RAM or SFR areas.

*Note : The fetch data from addresses 7F80<sub>H</sub> to 7FFF<sub>H</sub> (test ROM area) for 87C874/H74 is not "FF<sub>H</sub>".*

② Debugging

Debugging efficiency can be increased by placing the SWI instruction at the software break point setting address.

### 1.9.3 External Interrupts

The 87C874/H74 each have six external interrupt inputs ( $\overline{\text{INT0}}$ , INT1, INT2, INT3, INT4 and  $\overline{\text{INT5}}$ ). Four of these are equipped with digital noise rejection circuits (pulse inputs of less than a certain time are eliminated as noise). Edge selection is also possible with INT1, INT2, INT3 and INT4.

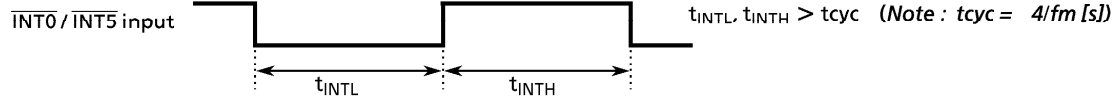
The  $\overline{\text{INT0}}$ /P10 pin can be configured as either an external interrupt input pin or an input/output port, and is configured as an input port during reset.

Edge selection, noise rejection control and  $\overline{\text{INT0}}$ /P10 pin function selection are performed by the external interrupt control register (EINTCR). When  $\text{INT0EN} = 0$ , the  $\text{IL}_3$  will not be set even if the falling edge of  $\overline{\text{INT0}}$  pin input is detected.

Table 1-3 (a). External Interrupts

Source	Pin	Secondary function pin	Enable conditions	Edge			Secondary function pin
				rising	falling	both	
INT0	$\overline{\text{INT0}}$	P10	$\text{IMF} = 1$ $\text{INT0EN} = 1$	–	○	–	– (hysteresis input)
INT1	INT1	P11	$\text{IMF} \cdot \text{EF}_5 = 1$	$\text{INT1ES} = 0$	$\text{INT1ES} = 1$	–	Pulses of less than 15/fc or 63/fc [s] are eliminated as noise. Pulses of equal to or more than 48/fc or 192/fc [s] are regarded as be signals.
INT2	INT2	P16	$\text{IMF} \cdot \text{EF}_7 = 1$ $\text{INT2W} = 0$	$\text{INT2ES} = 0$	$\text{INT2ES} = 1$	–	For falling or rising edge, pulses of less than 7/fc [s] are eliminated as noise. Pulses of equal to or more than 24/fc [s] are regarded as signals.
			$\text{IMF} \cdot \text{EF}_7 = 1$ $\text{INT2W} = 1$	–	–	$\text{INT2W} = 1$ Note 2)	Noise cancellation conditions are as listed in Table 1.4. They are applied to the INT2 pin when it is used for both edge interrupts.
INT3	INT3	P15/TC1	$\text{IMF} \cdot \text{EF}_{11} = 1$ $\text{INT3W} = 0$	$\text{INT3ES} = 0$	$\text{INT3ES} = 1$	–	For falling or rising edge, pulses less than 7/fc [s] are cancelled as noise. Pulses equal to or more than 24/fc [s] are regarded as signals. Same applies to pin TC1 (at one edge)
			$\text{IMF} \cdot \text{EF}_{11} = 1$ $\text{INT3W} = 1$	–	–	$\text{INT3W} = 1$ Note 2)	Noise cancellation conditions are as listed in Table 1.4. They are applied to the INT3 pin when it is used for both edge interrupts.
INT4	INT4	P17/TC3	$\text{IMF} \cdot \text{EF}_{11} = 1$ $\text{INT4W} = 0$	$\text{INT4ES} = 0$	$\text{INT4ES} = 1$	–	For falling or rising edge, pulses less than 7/fc [s] are cancelled as noise. Pulses equal to or more than 24/fc [s] are regarded as signals. Same applies to pin TC3 (at one edge)
			$\text{IMF} \cdot \text{EF}_{11} = 1$ $\text{INT4W} = 1$	–	–	$\text{INT4W} = 1$ Note 2)	Noise cancellation conditions are as listed in Table 1.4. They are applied to the INT4 pin is used for both edge interrupts. To detect remote control signals using timer 3 in capture mode, the INT4 pin is used for both edge interrupts.
INT5	$\overline{\text{INT5}}$	P20/STOP	$\text{IMF} \cdot \text{EF}_{15} = 1$	–	○	–	– (hysteresis input)

- Note 1 :** The noise rejection function is turned off for  $\overline{\text{INT0}}$ , INT1, INT2, INT3, INT4,  $\overline{\text{INT5}}$  used in SLOW and SLEEP modes. Also, the noise reject times are not constant for pulses input while transiting between operating modes (NORMAL2 $\leftrightarrow$ SLOW)
- Note 2 :** To detect the edge at which an interrupt is generated, read bit 6 (INT2EDT) in EINTCR2 (#0025<sub>H</sub>), bit 6 (INT3EDT) in EINTCR3 (#0026<sub>H</sub>), bit 6 (INT4EDT) in EINTCR4 (#0024<sub>H</sub>), that is, at the beginning of the interrupt processing routine. INT2EDT, INT3EDT, INT4EDT is valid only for both-edge interrupts (INT2W = 1, INT3W = 1, INT4W = 1). INT2EDT, INT3EDT, INT4EDT is set to 1 by an interrupt as the non-selected edge; cleared to 0 after read automatically.  
For both-edge interrupts, rising or falling edge is selected by setting/modifying bit 2 (INT2ES), bit 3 (INT3ES), bit 4 (INT4ES) in EINTCR (#0037<sub>H</sub>).  
When rising edge is selected (INT3ES = 0), bit 6 in INT3EDT (#0026<sub>H</sub>) is set to 1 when a falling edge is detected at the INT3 pin. (That is, remains 0 if rising edge is detected.)  
When falling edge is selected (INT3ES = 1), bit 6 in INT3EDT; #0026<sub>H</sub> is set to 1 when a rising edge is detected at the INT3 pin. (That is, remains 0 at falling edge.)
- Note 3 :** The noise rejection function is also affected for timer/counter input (TC1 and TC3 pins).
- Note 4 :** Noise cancellation/pulse receive conditions for timer/counter are as described below:
- ① TC1 pin : When the P15 pin is used for TC1 input , INT3W must be cleared to "0". Do not change INT3W to "1".
  - ② TC3 pin : When INTSW = 0, less than 7/fc [s] (noise cancellation) and 24/fc [s] or more (pulse receive). For when INT3W = 1, see Table 1.4.
- Note 5 :** If a noiseless signal is input to the external interrupt pin in the NORMAL 1/2 or IDLE 1/2 mode, the maximum time from the edge of input signal until the IL is set is as follows :
1. INT1 pin
    - 49/fc [s] (when INT1NC = 1)
    - 193/fc [s] (when INT1NC = 0)
  2. INT2 pin
    - 25/fc [s] (when #0025<sub>H</sub> : INT2W = 0, falling or rising edge)
    - 25/fc [s] (when #0025<sub>H</sub> : INT2W = 1, and NCS (0, 0, 0))
    - (2<sup>6</sup>/fc) × 8.5 + 19/fc [s] (when #0025<sub>H</sub> : INT2W = 1, and NCS (0, 0, 1))
    - (2<sup>7</sup>/fc) × 8.5 + 19/fc [s] (when #0025<sub>H</sub> : INT2W = 1, and NCS (0, 1, 0))
    - (2<sup>8</sup>/fc) × 8.5 + 19/fc [s] (when #0025<sub>H</sub> : INT2W = 1, and NCS (0, 1, 1))
    - (2<sup>9</sup>/fc) × 8.5 + 19/fc [s] (when #0025<sub>H</sub> : INT2W = 1, and NCS (1, 0, 0))
    - (2<sup>10</sup>/fc) × 8.5 + 19/fc [s] (when #0025<sub>H</sub> : INT2W = 1, and NCS (1, 0, 1))
    - (2<sup>11</sup>/fc) × 8.5 + 19/fc [s] (when #0025<sub>H</sub> : INT2W = 1, and NCS (1, 1, 0))
    - (2<sup>12</sup>/fc) × 8.5 + 19/fc [s] (when #0025<sub>H</sub> : INT2W = 1, and NCS (1, 1, 1))
  3. INT3 pin
    - 25/fc [s] (when #0026<sub>H</sub> : INT3W = 0, falling or rising edge)
    - 25/fc [s] (when #0026<sub>H</sub> : INT3W = 1, and NCS (0, 0, 0))
    - (2<sup>6</sup>/fc) × 8.5 + 19/fc [s] (when #0026<sub>H</sub> : INT3W = 1, and NCS (0, 0, 1))
    - (2<sup>7</sup>/fc) × 8.5 + 19/fc [s] (when #0026<sub>H</sub> : INT3W = 1, and NCS (0, 1, 0))
    - (2<sup>8</sup>/fc) × 8.5 + 19/fc [s] (when #0026<sub>H</sub> : INT3W = 1, and NCS (0, 1, 1))
    - (2<sup>9</sup>/fc) × 8.5 + 19/fc [s] (when #0026<sub>H</sub> : INT3W = 1, and NCS (1, 0, 0))
    - (2<sup>10</sup>/fc) × 8.5 + 19/fc [s] (when #0026<sub>H</sub> : INT3W = 1, and NCS (1, 0, 1))
    - (2<sup>11</sup>/fc) × 8.5 + 19/fc [s] (when #0026<sub>H</sub> : INT3W = 1, and NCS (1, 1, 0))
    - (2<sup>12</sup>/fc) × 8.5 + 19/fc [s] (when #0026<sub>H</sub> : INT3W = 1, and NCS (1, 1, 1))
  4. INT4 pin
    - 25/fc [s] (when #0024<sub>H</sub> : INT4W = 0, falling or rising edge)
    - 25/fc [s] (when #0024<sub>H</sub> : INT4W = 1, and NCS (0, 0, 0))
    - (2<sup>6</sup>/fc) × 8.5 + 19/fc [s] (when #0024<sub>H</sub> : INT4W = 1, and NCS (0, 0, 1))
    - (2<sup>7</sup>/fc) × 8.5 + 19/fc [s] (when #0024<sub>H</sub> : INT4W = 1, and NCS (0, 1, 0))
    - (2<sup>8</sup>/fc) × 8.5 + 19/fc [s] (when #0024<sub>H</sub> : INT4W = 1, and NCS (0, 1, 1))
    - (2<sup>9</sup>/fc) × 8.5 + 19/fc [s] (when #0024<sub>H</sub> : INT4W = 1, and NCS (1, 0, 0))
    - (2<sup>10</sup>/fc) × 8.5 + 19/fc [s] (when #0024<sub>H</sub> : INT4W = 1, and NCS (1, 0, 1))
    - (2<sup>11</sup>/fc) × 8.5 + 19/fc [s] (when #0024<sub>H</sub> : INT4W = 1, and NCS (1, 1, 0))
    - (2<sup>12</sup>/fc) × 8.5 + 19/fc [s] (when #0024<sub>H</sub> : INT4W = 1, and NCS (1, 1, 1))



- Note 6 : The pulse width (both "H" and "L" level) for input to the  $\overline{INT0}$  and  $\overline{INT5}$  pins must be over 1 machine cycle.
- Note 7 : When  $INT0EN = 0$ , interrupt latch  $IL_3$  is not set even if a falling edge is detected for  $\overline{INT0}$  pin input.
- Note 8 : When high-impedance is specified for port output in stop mode, port input is forcibly fixed to low level internally. Thus, interrupt latches of external interrupt inputs except  $INT5$  (P20/STOP) which are also used as ports may be set to "1". To specify high-impedance for port output in stop mode, first disable interrupt service ( $IMF=0$ ), activate stop mode. After releasing stop mode, clear interrupt latches using load instruction, then, enable interrupt service.

Example : Activating stop mode:

```
LD (SYSCR1),01000000B ; OUTEN+0 (specifies high-impedance)
DI ; IMF+0 (disables interrupt service)
SET (SYSCR1).STOP ; STOP+1 (activates stop mode)
LDW (IL),1110011101010111B ; IL12,11,7,5,3+0 (clears interrupt latches)
EI ; IMF+1 (enables interrupt service)
```

Table 1.3 (b) Noise reject condition for INT2, INT3, INT4 (both-edge interrupt)

#0024, #0025, #0026			max. pulse width for noise reject	min. pulse width for immediate signal
NCS2 × 2	NCS1 × 1	NCS0 × 0		
0	0	0	– (hysteresis input)	
0	0	1	$(2^6/fc) \times 7 - 6/fc$	$(2^6/fc) \times 8 + 5/fc$
0	1	0	$(2^7/fc) \times 7 - 6/fc$	$(2^7/fc) \times 8 + 5/fc$
0	1	1	$(2^8/fc) \times 7 - 6/fc$	$(2^8/fc) \times 8 + 5/fc$
1	0	0	$(2^9/fc) \times 7 - 6/fc$	$(2^9/fc) \times 8 + 5/fc$
1	0	1	$(2^{10}/fc) \times 7 - 6/fc$	$(2^{10}/fc) \times 8 + 5/fc$
1	1	0	$(2^{11}/fc) \times 7 - 6/fc$	$(2^{11}/fc) \times 8 + 5/fc$
1	1	1	$(2^{12}/fc) \times 7 - 6/fc$	$(2^{12}/fc) \times 8 + 5/fc$

Note : In SLOW mode, set (NCS × 2, 1, 0) = (0, 0, 0).  
 In SLOW mode, the digital noise filter in the above table is disabled.

EINTCR (0037 <sub>H</sub> )		7	6	5	4	3	2	1	0	
		INT1 NC	INT0 EN		INT4 ES	INT3 ES	INT2 ES	INT1 ES		(Initial value : 00*0 000*)
INT1NC	Noise reject time select	0 : Pulses of less than 63/fc [s] are eliminated as noise 1 : Pulses of less than 15/fc [s] are eliminated as noise							R/W	
INT0EN	P10/ $\overline{\text{INT0}}$ pin configuration	0 : P10 input/output port 1 : $\overline{\text{INT0}}$ pin (Port P10 should be set to an input mode)								
INT4 ES INT3 ES INT2 ES INT1 ES	INT4 to INT1 edge select	0 : Rising edge 1 : Falling edge								
<p><b>Note 1 :</b> <i>fc ; High-frequency clock [Hz] * ; don't care</i></p> <p><b>Note 2 :</b> <i>Edge detection during switching edge selection is invalid.</i></p> <p><b>Note 3 :</b> <i>Do not change EINTCR only when IMF = 0. After changing EINTCR, interrupt latches of external interrupt inputs must be cleared to "0" using load instruction.</i></p> <p><b>Note 4 :</b> <i>In order to change of external interrupt input by rewriting the contents of INT2ES and INT3ES, INT4ES during NORMAL1/2 mode, clear interrupt latches of external interrupt inputs (INT2 and INT3, INT4) after 8 machine cycles from the time of rewriting. During SLOW mode, 3 machine cycles are required.</i></p> <p><b>Note 5 :</b> <i>In order to change an edge of timer counter input by rewriting the contents of INT2ES and INT3ES, INT4ES during NORMAL1/2 mode, rewrite the contents after timer counter is stopped (TC*s = 0), that is, interrupt disable state. Then, clear interrupt latches of external interrupt inputs (INT2 and INT3) after 8 machine cycles from the time of rewriting to interrupt enable state. Finally, state timer counter. During SLOW mode, 3 machine cycles are required.</i></p> <p><b>Example :</b> When changing TC1 pin inputs edge in external trigger timer mode from rising edge to falling edge.</p> <pre> LD (TC1CR), 01001000B ; TC1S ← 00 (stop TC1) DI ; IMF ← 0 (disable interrupt service) LD (EINTCR), 00000100B ; INT2ES ← 1 (change edge selection) NOP 8 machine ~ cycles NOP LD (ILL), 01111111B ; IL7 ← 0 (clear interrupt latch) EI ; IMF ← 1 (enable interrupt service) LD (TC1CR), 01111000B ; TC1S ← 11 (start TC1) </pre> <p><b>Note 6 :</b> <i>If changing the contents of INT1ES during NORMAL1/2 mode, interrupt latch of external interrupt input INT1 must be cleared after 14 machine cycles (when INT1NC = 1) or 50 machine cycles (when INT1NC = 0) from the time of changing. During SLOW mode, 3 machine cycles are required.</i></p>										

Figure 1-26 (a). External Interrupt Control Register (1)

## External Interrupt Control Register 2

**EINTCR2**  
(0025<sub>H</sub>)

7	6	5	4	3	2	1	0
INT2W	INT2 EDT	NCS2			INT2 EDT		

(initial value 0000 00\*\*)

INT2W	INT2 both edge selection	0 : Refer to INT2ES 1 : Both edge detection	R/W
INT2EDT	Flag indicating an interrupt at selected edge/non-selected edge, when INT2W = 1 (for both-edge interrupts)	0 : Interrupt at selected edge or no interrupt 1 : Interrupt at non-selected edge	R
NCS2	Noise cancellation time select for INT2 digital noise filter (valid only when INT2W = 1)	000 : No noise cancellation 001 : Cancels ( $2^6/f_c \times 7 - 6/f_c$ ) as noise. 010 : Cancels ( $2^7/f_c \times 7 - 6/f_c$ ) as noise. 011 : Cancels ( $2^8/f_c \times 7 - 6/f_c$ ) as noise. 100 : Cancels ( $2^9/f_c \times 7 - 6/f_c$ ) as noise. 101 : Cancels ( $2^{10}/f_c \times 7 - 6/f_c$ ) as noise. 110 : Cancels ( $2^{11}/f_c \times 7 - 6/f_c$ ) as noise. 111 : Cancels ( $2^{12}/f_c \times 7 - 6/f_c$ ) as noise.	R/W
INT2DET	INT2 interrupt detection flag	0 : No interrupt 1 : Interrupt	R

*Note 1 : INT2EDT and NCS2 are valid only when the INT2W bit in EINTCR2 (#0025<sub>H</sub>) is set to 1.*

*Therefore, when INT2W = 0, the digital noise filter set by the NCS2 bit is disabled.*

*Note 2 : Do not changing the contents of INT2ES (bit 2 in #0037<sub>H</sub>) when INT2W is set to 1 (both-edge detection).*

*If changing the contents of INT2ES during INT2W is set to 1, according to Note 3/4/5 at Figure 1-26 (a).*

## External Interrupt Control Register 3

**EINTCR3**  
(0026<sub>H</sub>)

7	6	5	4	3	2	1	0
INT3W	INT3 EDT	NCS3			INT3 EDT		

(initial value 0000 00\*\*)

INT3W	INT3 both edge selection	0 : Refer to INT3ES 1 : Both edge detection	R/W
INT3EDT	Flag indicating an interrupt at selected edge/non-selected edge, when INT3W = 1 (for both-edge interrupts)	0 : Interrupt at selected edge or no interrupt 1 : Interrupt at non-selected edge	R
NCS3	Noise cancellation time select for INT3 digital noise filter (valid only when INT3W = 1)	000 : No noise cancellation 001 : Cancels ( $2^6/f_c \times 7 - 6/f_c$ ) as noise. 010 : Cancels ( $2^7/f_c \times 7 - 6/f_c$ ) as noise. 011 : Cancels ( $2^8/f_c \times 7 - 6/f_c$ ) as noise. 100 : Cancels ( $2^9/f_c \times 7 - 6/f_c$ ) as noise. 101 : Cancels ( $2^{10}/f_c \times 7 - 6/f_c$ ) as noise. 110 : Cancels ( $2^{11}/f_c \times 7 - 6/f_c$ ) as noise. 111 : Cancels ( $2^{12}/f_c \times 7 - 6/f_c$ ) as noise.	R/W
INT3DET	INT3 interrupt detection flag	0 : No interrupt 1 : Interrupt	R

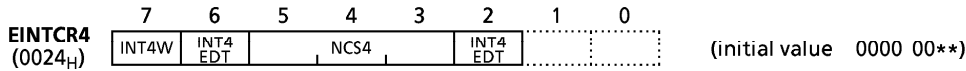
*Note 1 : INT3EDT and NCS3 are valid only when the INT3W bit in EINTCR3 (#0026<sub>H</sub>) is set to 1.*

*Therefore, when INT3W = 0, the digital noise filter set by the NCS3 bit is disabled.*

*Note 2 : Do not changing the contents of INT3ES (bit 3 in #0037<sub>H</sub>) when INT3W is set to 1 (both-edge detection).*

*If changing the contents of INT3ES during INT2W is set to 1, according to Note 3/4/5 at Figure 1-26 (a).*

External Interrupt Control Register 4



INT4W	INT4 both edge selection	0 : Refer to INT4ES 1 : Both edge detection	R/W
INT4EDT	Flag indicating an interrupt at selected edge/non-selected edge, when INT4W = 1 (for both-edge interrupts)	0 : Interrupt at selected edge or no interrupt 1 : Interrupt at non-selected edge	R
NCS4	Noise cancellation time select for INT4 digital noise filter (valid only when INT4W = 1)	000 : No noise cancellation 001 : Cancels ( $2^6/fc \times 7 - 6/fc$ ) as noise. 010 : Cancels ( $2^7/fc \times 7 - 6/fc$ ) as noise. 011 : Cancels ( $2^8/fc \times 7 - 6/fc$ ) as noise. 100 : Cancels ( $2^9/fc \times 7 - 6/fc$ ) as noise. 101 : Cancels ( $2^{10}/fc \times 7 - 6/fc$ ) as noise. 110 : Cancels ( $2^{11}/fc \times 7 - 6/fc$ ) as noise. 111 : Cancels ( $2^{12}/fc \times 7 - 6/fc$ ) as noise.	R/W
INT4DET	INT4 interrupt detection flag	0 : No interrupt 1 : Interrupt	R

*Note 1 : INT4EDT and NCS4 are valid only when the INT4W bit in EINTCR4 (#0024<sub>H</sub>) is set to 1. Therefore, when INT4W = 0, the digital noise filter set by the NCS4 bit is disabled.*

*Note 2 : Do not changing the contents of INT4ES (bit 4 in #0037<sub>H</sub>) when INT4W is set to 1 (both-edge detention). If changing the contents of INT4ES during INT4W is set to 1, according to Note 3/4/5 at Figure 1-26 (a).*

Figure 1-26 (b). External Interrupt Control Register (2)





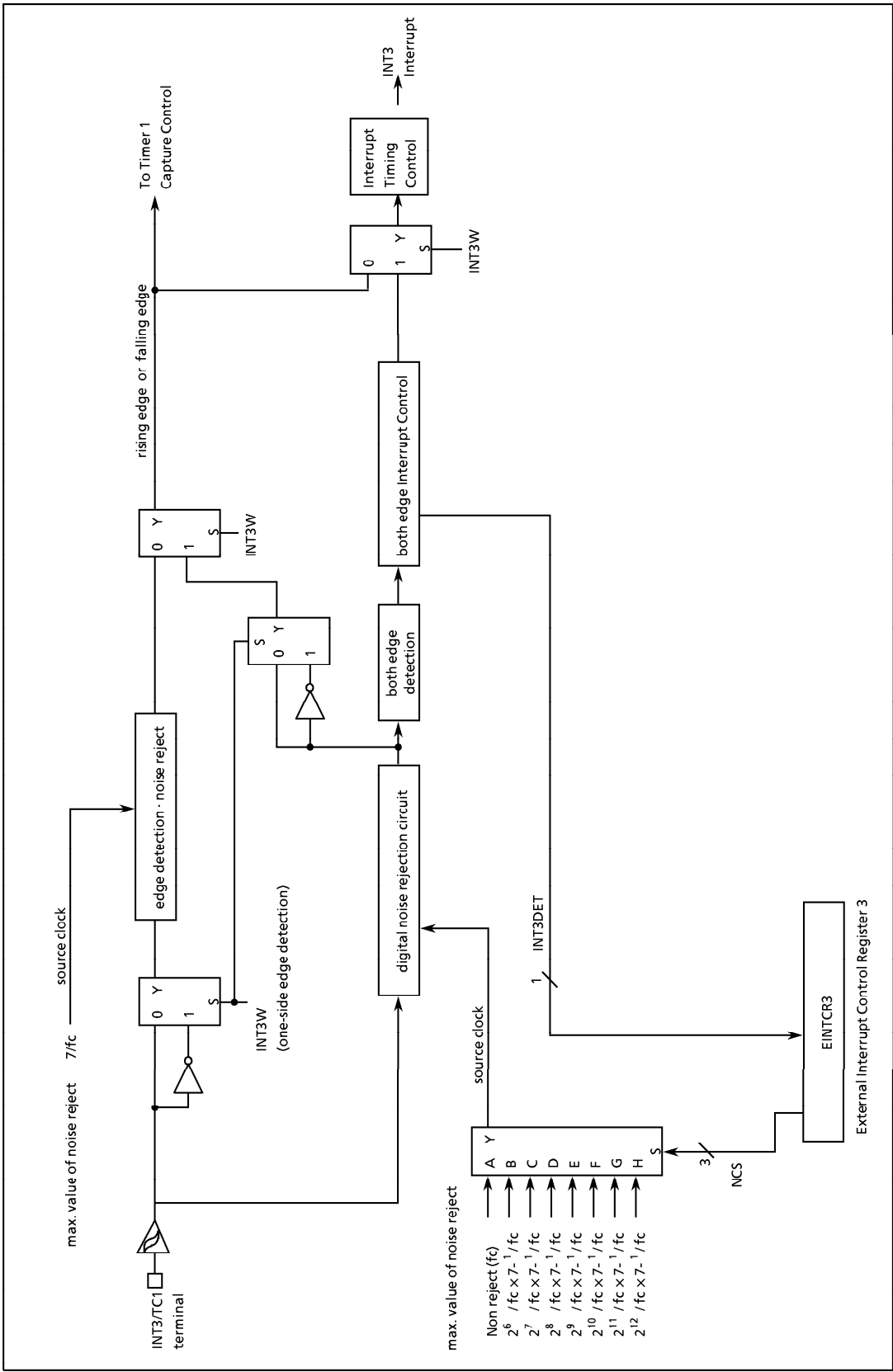


Figure 1-26 (d) INT3/TC1 both edge detection / one-side edge detection



Notes on the usage of INT2, INT3, INT4 pin (external interrupt)

(The functions of only INT2 are described. INT3 and INT4 have the same functions as INT2)

When using the INT2 pin for one edge (either rising or falling)

Note 1 : An interrupt generated from the INT2 pin can be detected by reading the interrupt latch (IL7).

Note 2 : The greatest care must be taken in setting or rewriting the external interrupt control register (EINTCR : 0037H).

For details, see Figure 1-26. (a) note 2, 3, 4, 5 and 6 in accordance with the using instructions.

When using the INT2 pin for both edges (rising and falling)

Note 1 : When using the INT2 pin for both edges (rising or falling), set bit 7 (INT3W) in EINTCR2 (#0025H) to 1.

Note 2 : To detect the edge at which an interrupt is generated, read bit 6 (INT2EDT) in EINTCR2 (#0025H), that is, at the beginning of the interrupt processing routine.

Note 3 : INT2EDT is valid only for both-edge interrupts (INT2W = 1). INT2EDT is set to 1 by an interrupt as the non-selected edge; cleared to 0 after read automatically.

For both-edge interrupts, rising or falling edge is selected by setting/modifying bit 2 (INT2ES) in EINTCR (#0037H). When rising edge is selected (INT2ES = 0), bit 6 in INT2EDT (#0025H) is set to 1 when a falling edge is detected at the INT2 pin. (That is, remains 0 if rising edge is detected.) When falling edge is selected (INT2ES = 1), bit 6 in INT2EDT: #0025H is set to 1 when a rising edge is detected at the INT2 pin. (That is, remains 0 at falling edge).

Note 4 : The greatest care must be taken in setting or rewriting the external interrupt control register (EINTCR : 0037H).

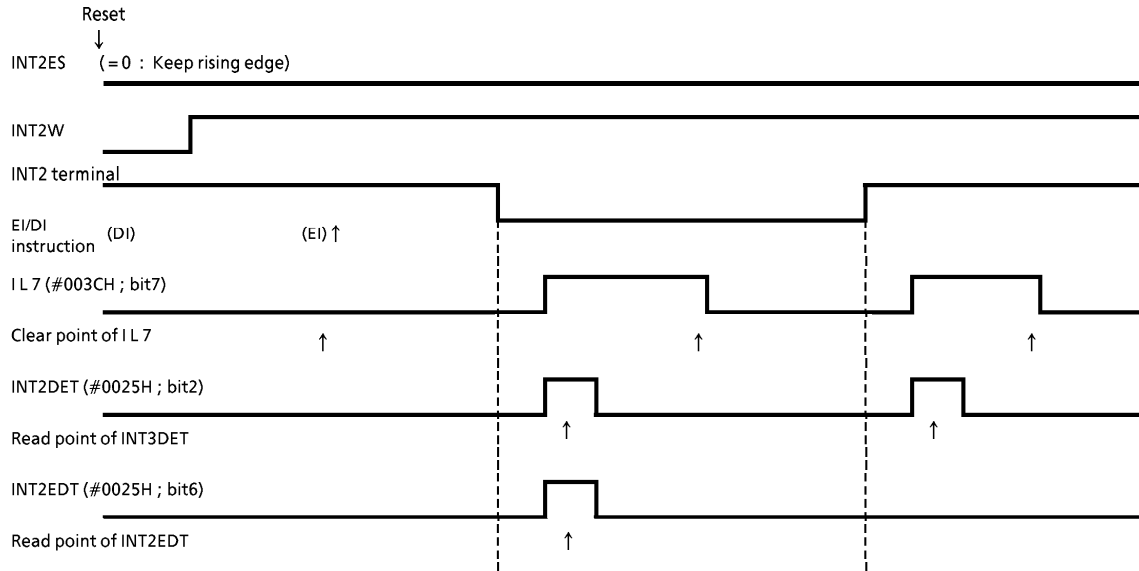
For details, see Figure 1-26. (a) note 2, 3, 4, 5 and 6 in accordance with the using instructions.

Operation description for INT2 (both-edge interrupt) in use:

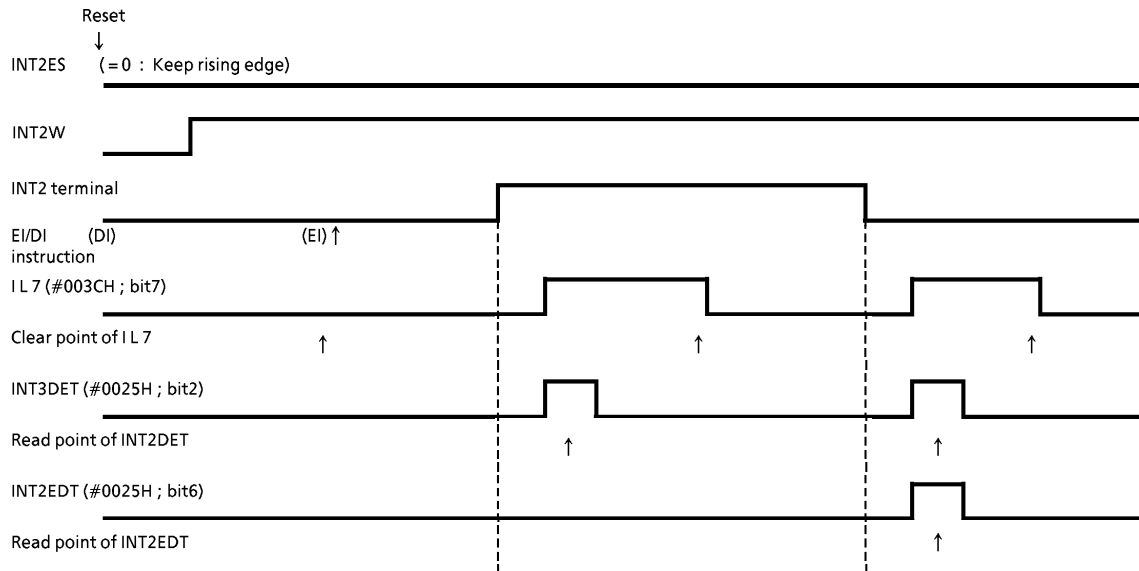
1. Operation without setting/modifying external interrupt control register (EINTCR) after reset:

For both-edge interrupts, rising edge is selected (INT2ES = 0) and fixed.

1) Case1 : When the initial state of the INT2 pin is high after reset:

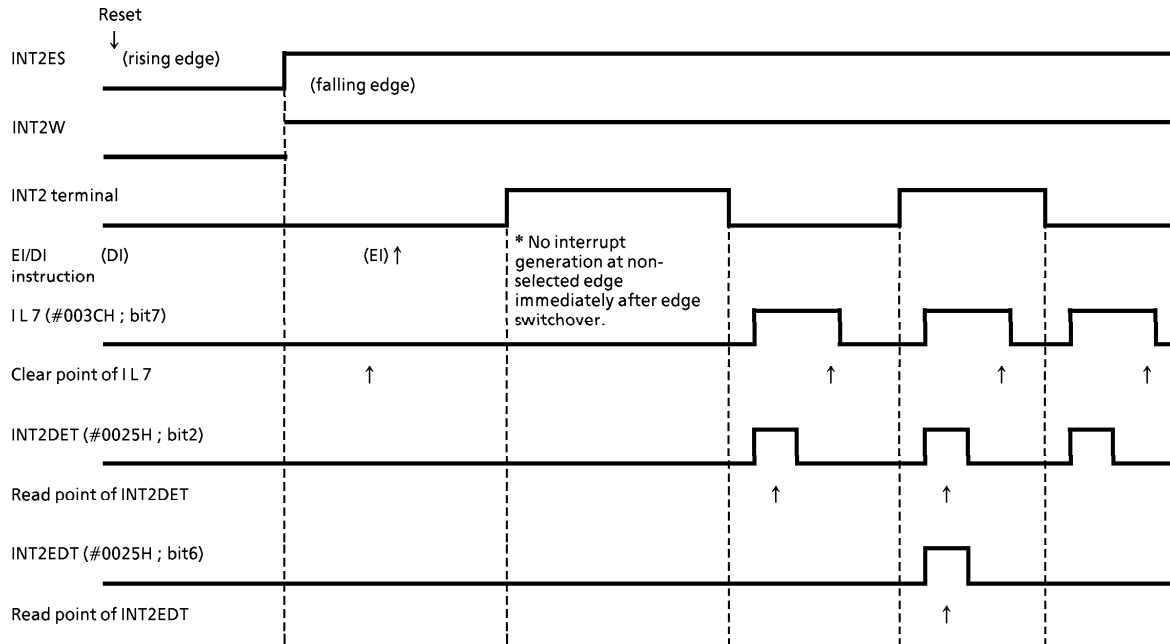


2) Case2 : When the initial state of the INT2 pin is low after reset:

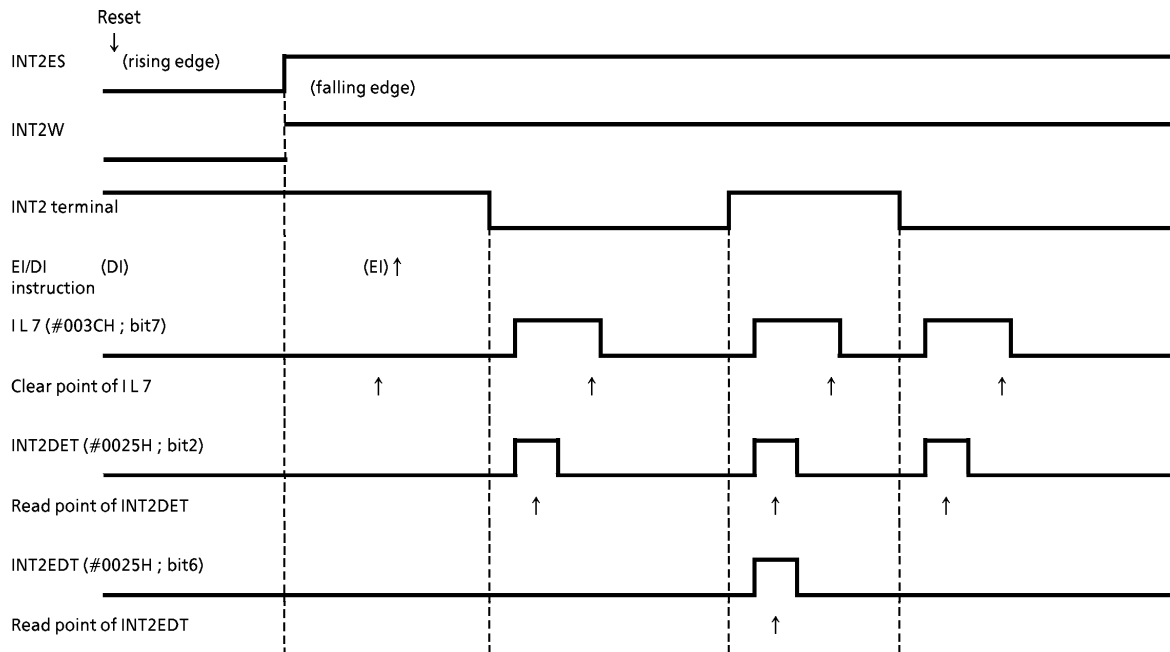


2. Operation with setting/modifying external interrupt control register (EINTCR) after reset:

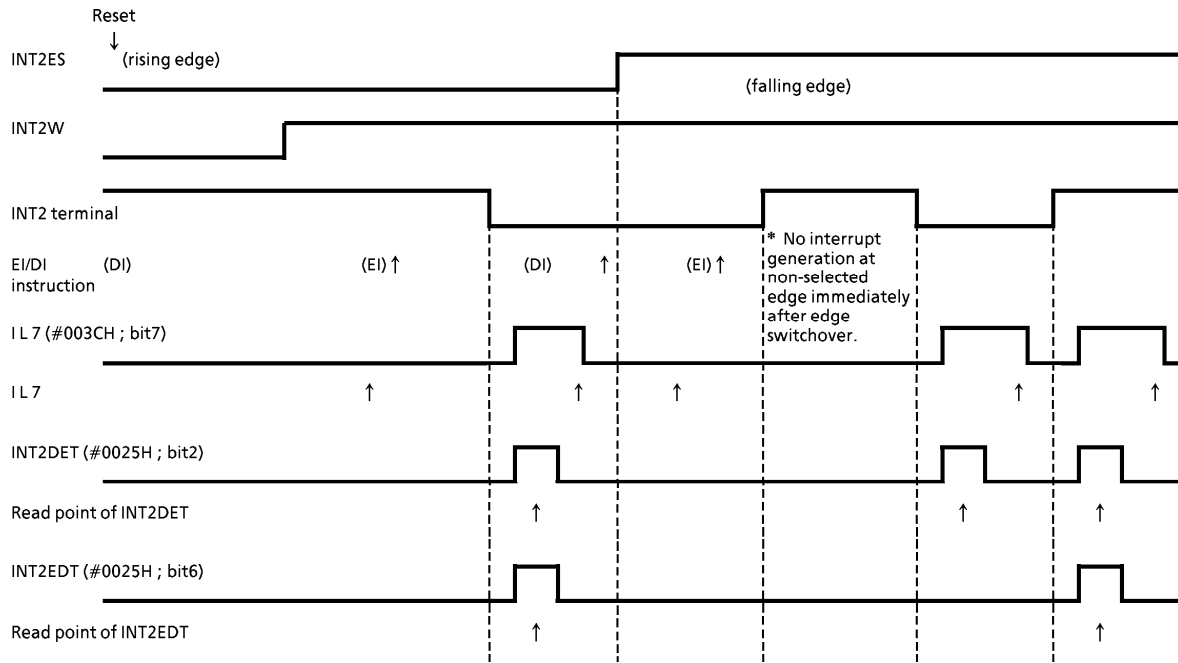
1) Case3 : When the initial state of the INT2 pin is low after reset/low at edge switchover from rising to falling:



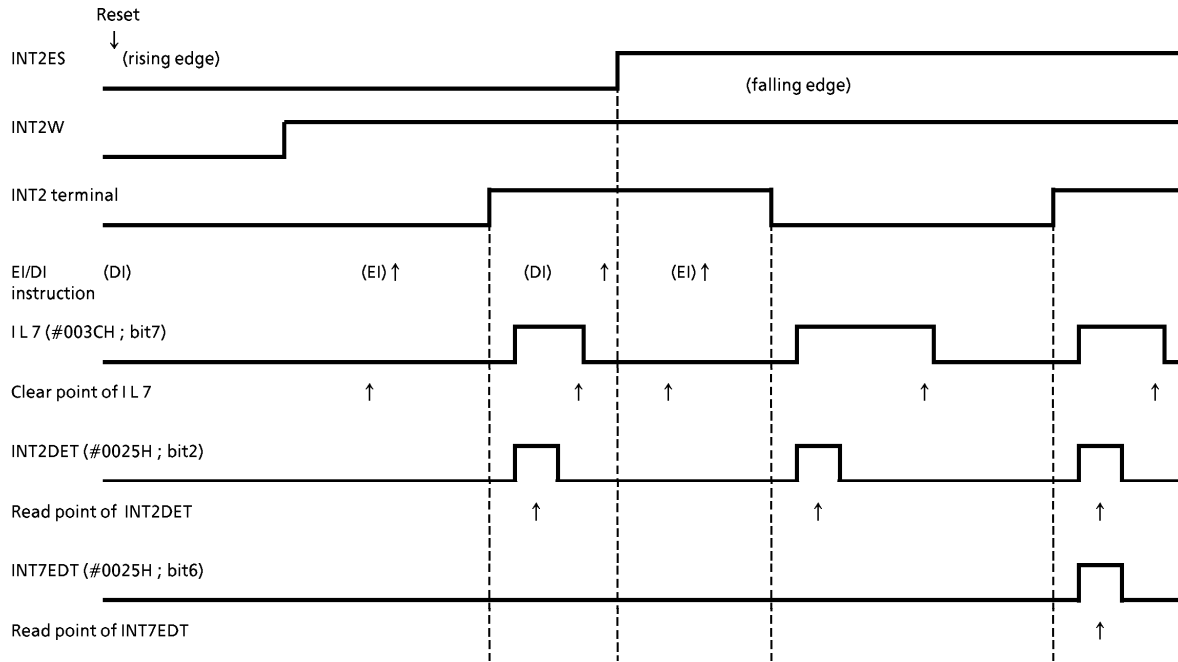
2) Case4 : When the initial state of the INT2 pin is high after reset/high at edge switchover from rising to falling:



3) Case5 : Case 5: When the initial state of the INT2 pin is high after reset/low at edge switchover from rising to falling:



4) Case6 : When the initial state of the INT2 pin is low after reset/high at edge switchover from rising to falling:



## 1.10 Watchdog Timer (WDT)

The watchdog timer rapidly detects the CPU malfunction such as endless looping caused by noise or the like, and resumes the CPU to the normal state.

The watchdog timer signal for detecting malfunction can be selected either as a reset output or a non-maskable interrupt request. However, selection is possible only once after reset. At first, the reset output is selected.

When the watchdog timer is not being used for malfunction detection, it can be used as a timer to generate an interrupt at fixed intervals.

### 1.10.1 Watchdog Timer Configuration

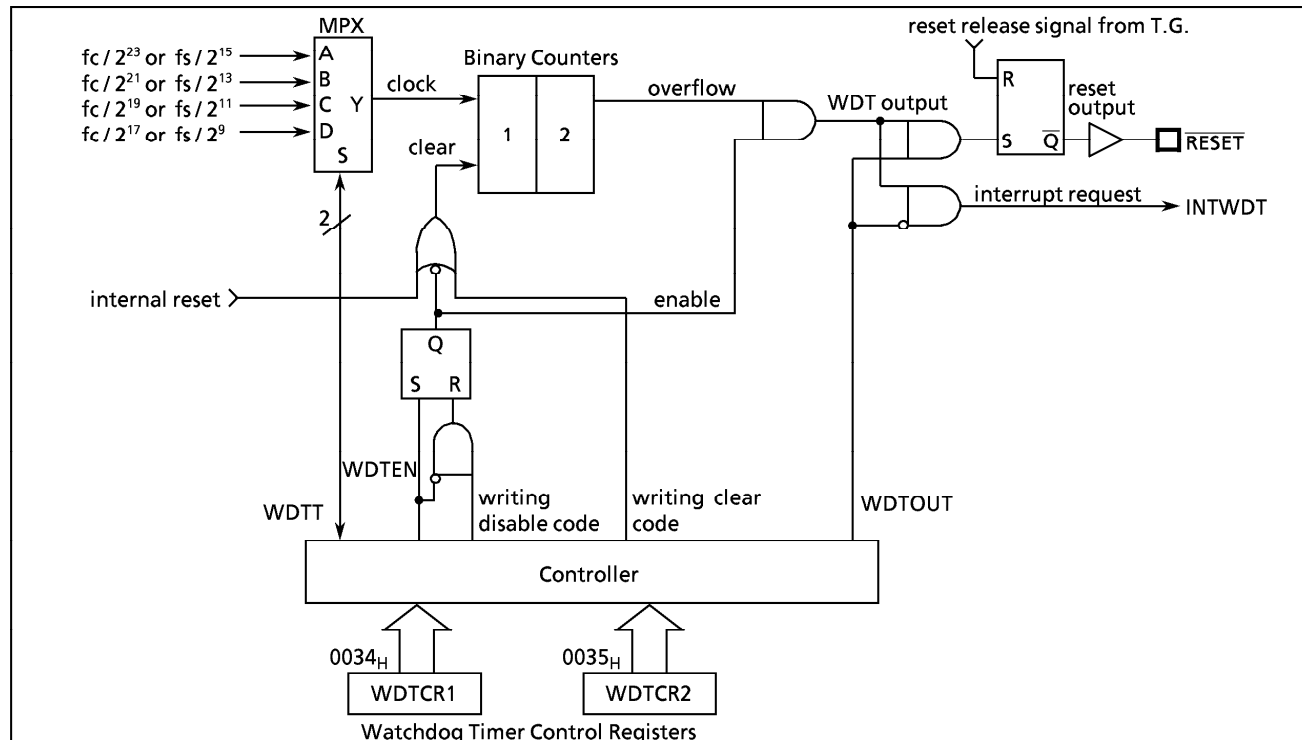


Figure 1-27. Watchdog Timer Configuration

### 1.10.2 Watchdog Timer Control

Figure 1-28 shows the watchdog timer control registers (WDTCR1, WDTCR2). The watchdog timer is automatically enabled after reset.

#### (1) Malfunction detection methods using the watchdog timer

The CPU malfunction is detected as follows:

- ① Setting the detection time, selecting output, and clearing the binary counter.
- ② Repeatedly clearing the binary counter within the setting detection time.

If a CPU malfunction occurs for any cause, the watchdog timer output will become active on the rise of an overflow from the binary counters unless the binary counters are cleared. At this time, when  $WDTOUT = 1$  a reset is generated, which drives the  $\overline{RESET}$  pin low to reset the internal hardware and the external circuits. When  $WDTOUT = 0$ , a watchdog timer interrupt (INTWDT) is generated.

The watchdog timer temporarily stops counting in STOP mode (including warm-up) or IDLE mode, and automatically restarts (continues counting) when STOP/IDLE mode is released.



Example : Sets the watchdog timer detection time to  $2^{21}/f_c$  [s] and resets the CPU malfunction.

```

LD      (WDTCR2), 4EH      ; Clears the binary counters
LD      (WDTCR1), 00001101B ; WDTT←10, WDTOUT←1
LD      (WDTCR2), 4EH      ; Clears the binary counters
                                (always clear immediately after changing WDTT)
LD      (WDTCR2), 4EH      ; Clears the binary counters
LD      (WDTCR2), 4EH      ; Clears the binary counters
    
```

**Watchdog Timer Control Register 1**

WDTCR1 (0034<sub>H</sub>)

7	6	5	4	3	2	1	0
			WDT EN	WDTT	WDT OUT		

(Initial value : \*\*\*\* 1001)

WDTEN	Watchdog timer enable/disable	0 : Disable (It is necessary to write the disable code to WDTCR2) 1 : Enable	write only
WDTT	Watchdog timer detection time	00 : $2^{25}/f_c$ or $2^{17}/f_s$ [s] 01 : $2^{23}/f_c$ or $2^{15}/f_s$ 10 : $2^{21}/f_c$ or $2^{13}/f_s$ 11 : $2^{19}/f_c$ or $2^{11}/f_s$	
WDTOUT	Watchdog timer output select	0 : Interrupt request 1 : Reset output	

*Note 1 : WDTOUT cannot be set to "1" by program after clearing WDTOUT to "0".*  
*Note 2 :  $f_c$  ; High-frequency clock [Hz]  $f_s$  ; Low-frequency clock [Hz] \* ; don't care*  
*Note 3 : WDTCR1 is a write-only register and must not be used with any of the read-modify-write instructions.*  
*Note 4 : Disable the watchdog timer or clear the counter just before switching to STOP mode. When the counter is cleared just before switching to STOP mode, clear the counter again subsequently to releasing STOP mode.*

**Watchdog Timer Control Register 2**

WDTCR2 (0035<sub>H</sub>)

7	6	5	4	3	2	1	0

(Initial value : \*\*\*\* \*\*\*)

WDTCR2	Watchdog timer control code write register	4E <sub>H</sub> : Watchdog timer binary counter clear (clear code) B1 <sub>H</sub> : Watchdog timer disable (disable code) others : Invalid	write only
--------	--	---	------------

*Note 1 : The disable code is invalid unless written when WDTEN = 0.*  
*Note 2 : \* ; don't care*

Figure 1-28. Watchdog Timer Control Registers

Table 1-4. Watchdog Timer Detection Time

Operating mode			Detection time	
NORMAL1	NORMAL2	SLOW	At $f_c = 8$ MHz	At $f_s = 32.768$ kHz
$2^{25}/f_c$ [s]	$2^{25}/f_c, 2^{17}/f_s$	$2^{17}/f_s$	4.194 s	4 s
$2^{23}/f_c$	$2^{23}/f_c, 2^{15}/f_s$	$2^{15}/f_s$	1.048 ms	1 s
$2^{21}/f_c$	$2^{21}/f_c, 2^{13}/f_s$	—	262.1 ms	250 ms
$2^{19}/f_c$	$2^{19}/f_c, 2^{11}/f_s$	—	65.5 ms	62.5 ms

(2) Watchdog Timer Enable

The watchdog timer is enabled by setting WDTEN (bit 3 in WDTCR1) to "1". WDTEN is initialized to "1" during reset, so the watchdog timer operates immediately after reset is released.

Example : Enables watchdog timer

```
LD      (WDTCR1), 00001000B ; WDTEN←1
```

### (3) Watchdog Timer Disable

The watchdog timer is disabled by writing the disable code (B1<sub>H</sub>) to WDTCR2 after clearing WDTEN (bit 3 in WDTCR1) to "0". The watchdog timer is not disabled if this procedure is reversed and the disable code is written to WDTCR2 before WDTEN is cleared to "0". The watchdog timer is halted temporarily in STOP mode (including warm-up) and IDLE mode, and restarts automatically after STOP or IDLE mode is released.

During disabling the watchdog timer, the binary counters are cleared.

Example : Disables watchdog timer

```
LDW      (WDTCR1), 0B101H      ; WDTEN←0, WDTCR2←disable code
```

### 1.10.3 Watchdog Timer Interrupt (INTWDT)

This is a pseudo non-maskable interrupt which can be accepted regardless of the contents of the EIR. If a watchdog timer interrupt or a software interrupt is already accepted, however, the new watchdog timer interrupt waits until the previous interrupt processing is completed (the end of the [RETN] instruction execution).

The stack pointer (SP) should be initialized before using the watchdog timer output as an interrupt source with WDTOUT.

Example : Watchdog timer interrupt setting up.

```
LD      SP, 023FH      ; Sets the stack pointer
LD      (WDTCR1), 00001000B ; WDTOUT←0
```

### 1.10.4 Watchdog Timer Reset

If the watchdog timer output becomes active, a reset is generated, which drives the  $\overline{\text{RESET}}$  pin (sink open drain output) low to reset the internal hardware and the external circuits. The reset output time is  $12/f_c$  [s] ( $1.5 \mu\text{s}$  at  $f_c = 8 \text{ MHz}$ ). The high-frequency clock oscillator also turns on when a watchdog timer reset is generated in SLOW mode.

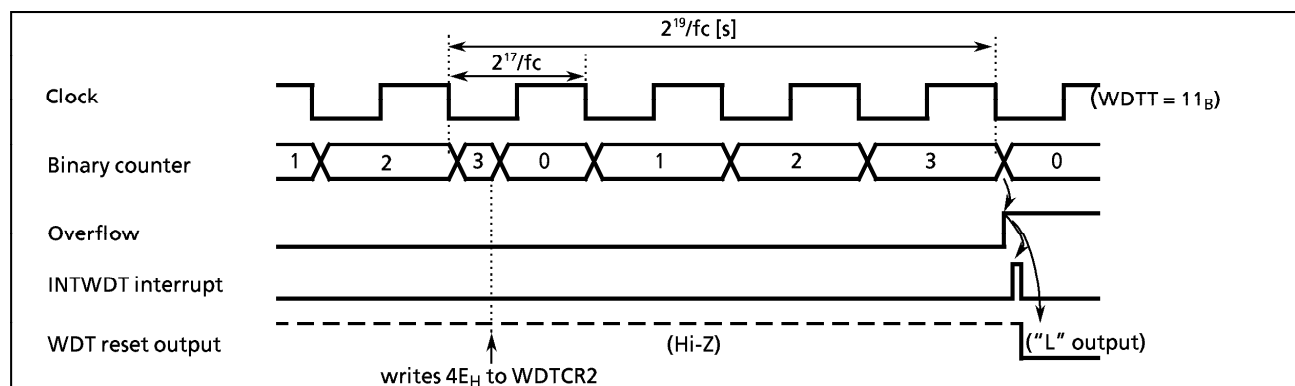


Figure 1-29. Watchdog Timer Interrupt / Reset

## 1.11 Reset Circuit

The 87C874/H74 each have four types of reset generation procedures: an external reset input, an address trap reset, a watchdog timer reset and a system clock reset. Table 1-5 shows on-chip hardware initialization by reset action. The internal source reset circuit (watchdog timer reset, address trap reset, and system clock reset) is not initialized when power is turned on. Thus, output from the  $\overline{\text{RESET}}$  pin may go low ( $12/f_c$  [s.] ( $1.5 \mu\text{s}$  at 8 MHz) when power is turned on.

Table 1-5. Initializing Internal Status by Reset Action

On-chip Hardware	Initial Value	On-chip Hardware	Initial Value
Program counter (PC)	(FFFF <sub>H</sub> ) · (FFFE <sub>H</sub> )	Divider of Timing generator	0
Register bank selector (RBS)	0	Watchdog timer	Enable
Jump status flag (JF)	1	Output latches of I/O ports	Refer to I/O port circuitry
Interrupt master enable flag (IMF)	0	Control registers	Refer to each of control register
Interrupt individual enable flags (EF)	0		
Interrupt latches (IL)	0		

### 1.11.1 External Reset Input

When the  $\overline{\text{RESET}}$  pin is held at low for at least 3 machine cycles ( $12/f_c$  [s]) with the power supply voltage within the operating voltage range and oscillation stable, a reset is applied and the internal state is initialized.

When the  $\overline{\text{RESET}}$  pin input goes high, the reset operation is released and the program execution starts at the vector address stored at addresses FFFE<sub>H</sub> - FFFF<sub>H</sub>. The  $\overline{\text{RESET}}$  pin contains a Schmitt trigger (hysteresis) with an internal pull-up resistor. A simple power-on-reset can be applied by connecting an external capacitor and a diode.

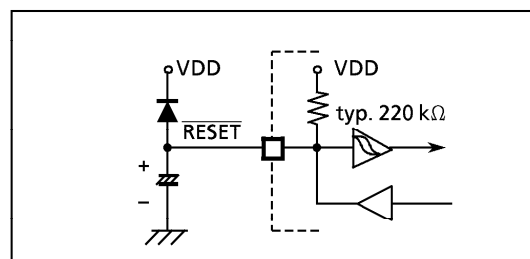


Figure 1-30. Simple Power-on-Reset Circuitry

### 1.11.2 Address Trap Reset

If a CPU malfunction occurs and an attempt is made to fetch an instruction from the RAM or the SFR area (addresses 87C874/H74: 0040<sub>H</sub> - 023F<sub>H</sub>, an address-trap-reset will be generated. Then, the  $\overline{\text{RESET}}$  pin output will go low. The reset time is  $12/f_c$  [s] ( $1.5 \mu\text{s}$  at 8 MHz).

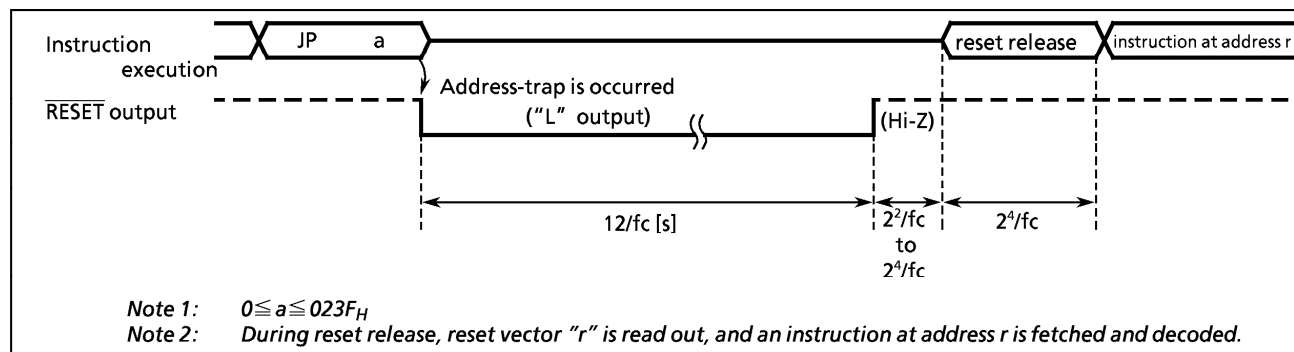


Figure 1-31. Address-Trap-Reset

### 1.11.3 Watchdog Timer Reset

Refer to Section "1.10 Watchdog Timer".

### 1.11.4 System-Clock-Reset

Clearing both XEN and XTEN (bits 7 and 6 in SYSCR2) to "0" stops both high-frequency and low-frequency oscillation, and causes the MCU to deadlock. This can be prevented by automatically generating a reset signal whenever  $\text{XEN} = \text{XTEN} = 0$  is detected to continue the oscillation. Then, the  $\overline{\text{RESET}}$  pin output goes low from high-impedance. The reset time is  $12/f_c$  [s] ( $1.5 \mu\text{s}$  at 8 MHz).

2. ON-CHIP PERIPHERALS FUNCTIONS

2.1 Special Function Registers (SFR) and Data Buffer Registers (DBR)

The TLCS-870 Series uses the memory mapped I/O system, and all peripheral control and data transfers are performed through the special function registers (SFR) and data buffer registers (DBR).

The SFR are mapped to addresses 0000<sub>H</sub> – 003F<sub>H</sub>, and the DBR to addresses 0F80<sub>H</sub> – 0FFF<sub>H</sub>.

Figure 2-1 shows the 87C874/H74 SFRs and DBRs.

Address	Read	Write	Address	Read	Write
0000 <sub>H</sub>		P0 port	0020 <sub>H</sub>		SBICR1 (SBI control 1)
01		P1 Port	21		SBIDBR (SBI Data Buffer)
02		P2 Port	22		I <sup>2</sup> CAR (I <sup>2</sup> C bus address)
03		P3 Port	23	SBISR (SBI status)	SBICR2 (SBI control 2)
04		P4 Port	24		EINTCR4 (External interrupt control 4)
05		P5 Port	25		EINTCR2 (External interrupt control 2)
06		P6 Port	26		EINTCR3 (External interrupt control 3)
07		P7 Port	27	SIO1SR (SIO status)	SIO1CR1 (SIO1 control 1)
08		P8 Port	28		SIO1CR2 (SIO1 control 2)
09		P9 Port	29	VFTSR (VFT status)	VFTCR1 (VFT control 1)
0A	–	POCR (P0 I/O control)	2A		VFTCR2 (VFT control 2)
0B	–	P1CR (P1 I/O control)	2B		P3CR (P3 I/O control)
0C	–	P4CR (P4 I/O control)	2C		reserved
0D	–	P5CR (P5 I/O control)	2D		reserved
0E		ADCCR (A/D converter control)	2E		reserved
0F	ADCDR (A/D conv. register)		2F		reserved
10	–	TREG1A <sub>L</sub> (Timer register 1A)	30		reserved
11	–	TREG1A <sub>H</sub>	31		reserved
12		TREG1B <sub>L</sub> (Timer register 1B)	32		reserved
13		TREG1B <sub>H</sub>	33		reserved
14	–	TC1CR (TC1 control)	34	–	WDTCR1 (WDT control)
15	–	TC2CR (TC2 control)	35	–	WDTCR2
16	–	TREG2 <sub>L</sub> (Timer register 2)	36		TBTCR (TBT / TG / DVO control)
17	–	TREG2 <sub>H</sub>	37		EINTCR (Interrupt control)
18		TREG3A (Timer register 3A)	38		SYSCR1 (System control)
19	TREG3B (Timer register 3B)	–	39		SYSCR2
1A	–	TC3CR (TC3 control)	3A		EIR <sub>L</sub> (Interrupt enable register)
1B	–	TREG4 (Timer register 4)	3B		EIR <sub>H</sub>
1C	–	TC4CR (TC4 control)	3C		IL <sub>L</sub> (Interrupt latch)
1D		PD port	3D		IL <sub>H</sub>
1E		–	3E		reserved
1F		–	3F	PSW (Program status word)	RBS (Register bank selector)

(a) Special Function Registers

Note 1 : Do not access reserved areas by the program.

Note 2 : – : Cannot be accessed.

Note 3 : When defining address 003F<sub>H</sub> with assembler symbols, use GPSW and GRBS.

Note 4 : Write-only registers and interrupt latches cannot use the read-modify-write instructions (bit manipulation instructions such as SET, CLR, etc. and logical operation instructions such as AND, OR, etc.)

Figure 2-1. (a) SFR & DBR

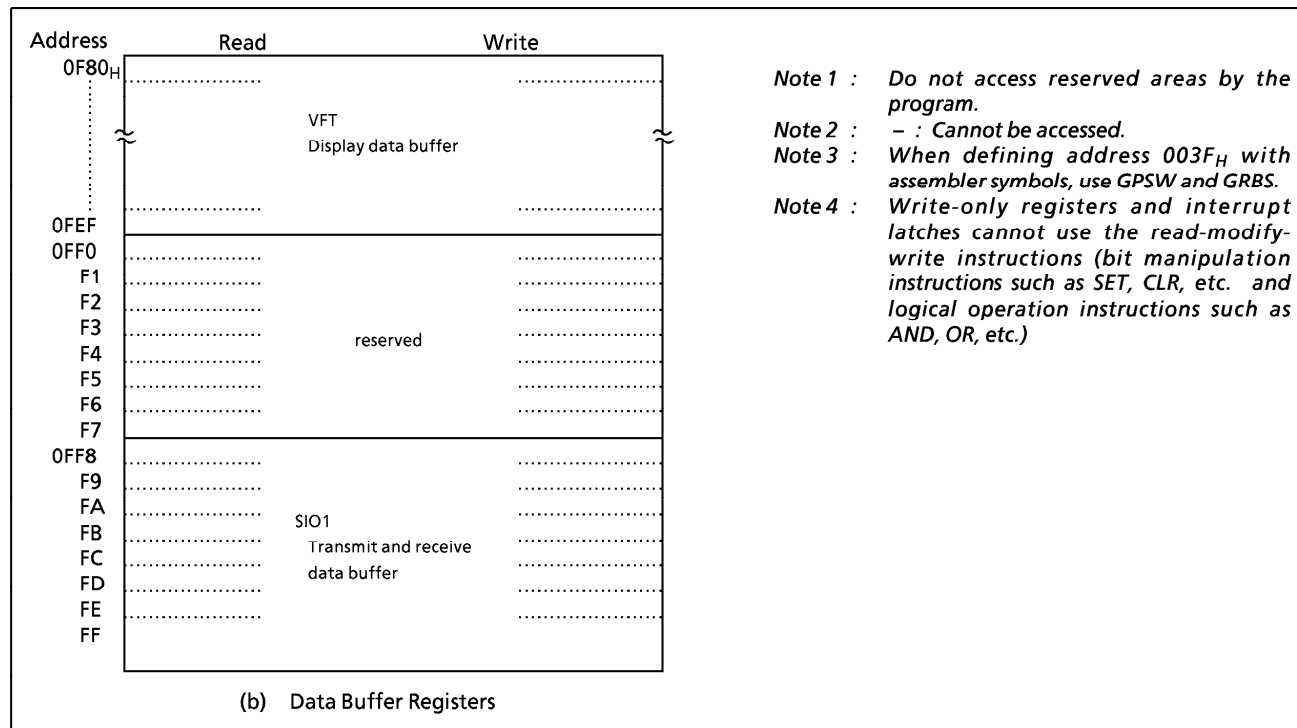


Figure 2-1. (b) SFR & DBR

## 2.2 I/O Ports

The 87C874/H74 each have 13 parallel input/output ports (89pins) each as follows:

	Primary Function	Secondary Functions
Port P0	8-bit I/O port	Serial port input/output
Port P1	8-bit I/O port	External interrupt input, timer/counter input, and divider output
Port P2	3-bit I/O port	Low-frequency resonator connections, external interrupt input, and STOP mode release signal input
Port P3	4-bit I/O port	Serial bus interface
Port P4	8-bit I/O port	Analog input
Port P5	8-bit I/O port	Analog input
Port P6	8-bit I/O port	VFT output
Port P7	8-bit Output port	VFT output
Port P8	8-bit output port	VFT output
Port P9	8-bit I/O port	VFT output
Port PD	5-bit I/O port	VFT output

Ports P0, P1, P2, P3, P4, P5, P6, P7, P8, P9 and PD can also use secondary function.

Each output port contains a latch, which holds the output data. Input ports excluding P4 do not have latches, so the external input data should either be held externally until read or reading should be performed several times before processing. Figure 2-2 shows input/output timing examples.

External data is read from an I/O port in the S1 state of the read cycle during execution of the read instruction. This timing can not be recognized from outside, so that transient input such as chattering must be processed by the program.

Output data changes in the S2 state of the write cycle during execution of the instruction which writes to an I/O port.

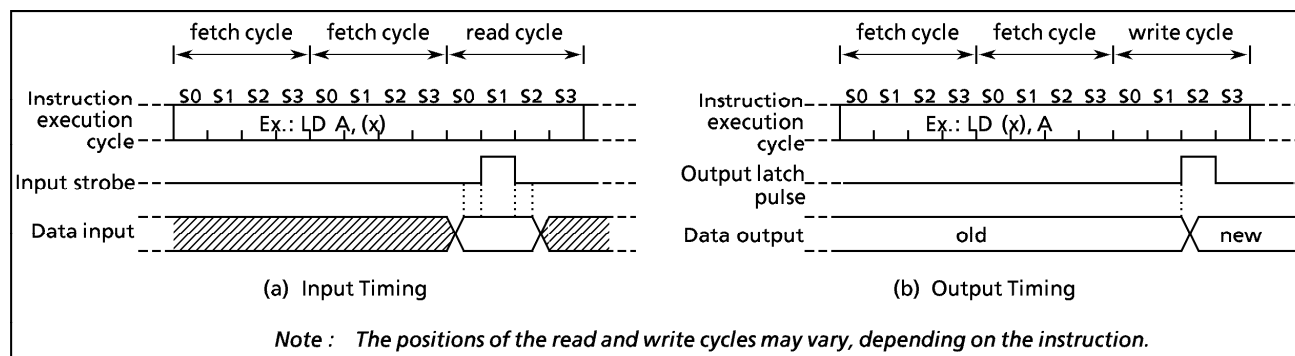


Figure 2-2. Input/Output Timing (Example)

When reading an I/O port except programmable I/O ports P0 and P1, whether the pin input data or the output latch contents are read depends on the instructions, as shown below:

(1) Instructions that read the output latch contents

- |                       |  |
|-----------------------|--|
| ① XCH r, (src)        | ⑤ LD (pp).b, CF  |
| ② CLR/SET/CPL (src).b | ⑥ ADD/ADDC/SUB/SUBB/AND/OR/XOR (src), n                  |
| ③ CLR/SET/CPL (pp).g  | ⑦ (src) side of ADD/ADDC/SUB/SUBB/AND/OR/XOR (src), (HL) |
| ④ LD (src).b, CF      |  |

(2) Instructions that read the pin input data

- ① Instructions other than the above (1)
- ② (HL) side of ADD/ADDC/SUB/SUBB/AND/OR/XOR (src), (HL)

### 2.2.1 Port P0 (P07 - P00)

Port P0 is an 8-bit general-purpose input/output port which can be configured as either an input or an output in one-bit unit under software control. Input/output mode is specified by the corresponding bit in the port P0 input/output control register (P0CR). Port P0 is configured as an input if its corresponding P0CR bit is cleared to "0", and as an output if its corresponding P0CR bit is set to "1".

During reset, P0CR is initialized to "0", which configures port P0 as input. The P0 output latches are also initialized to "0". Data is written into the output latch regardless of P0CR contents. Therefore initial output data should be written into the output latch before setting P0CR.

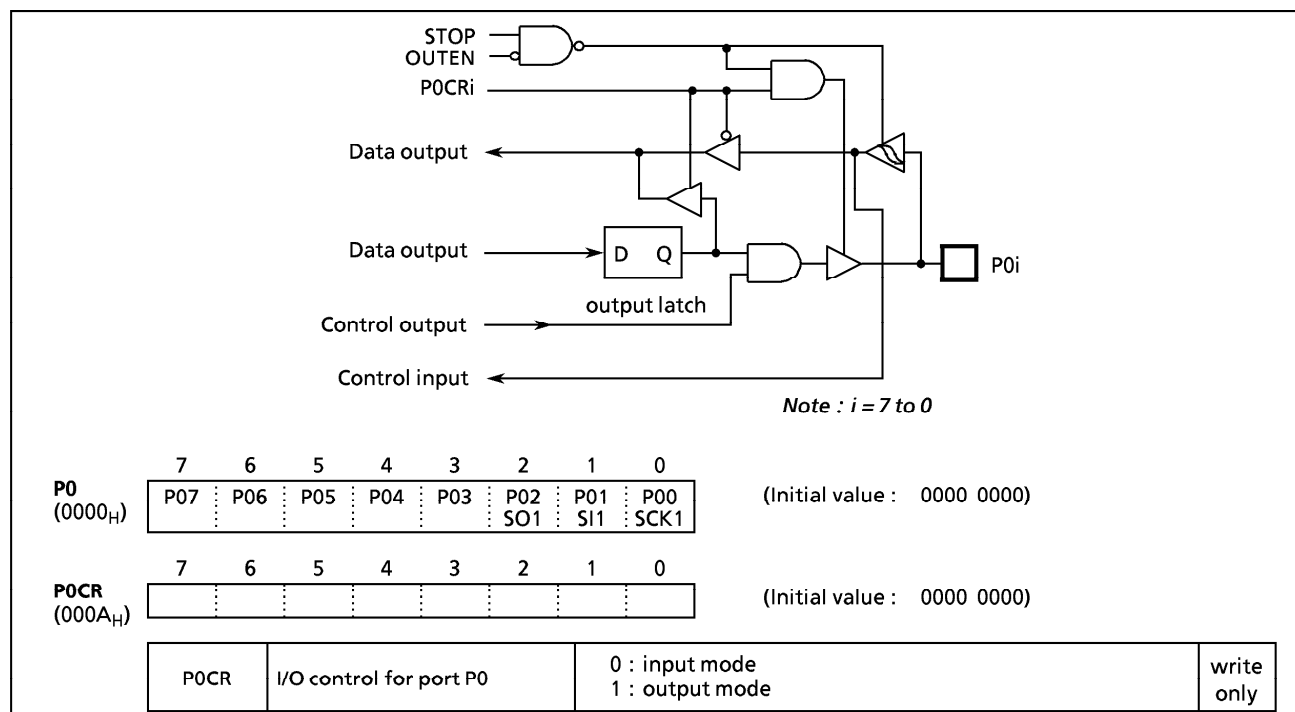


Figure 2-3. Port P0 and P0CR

Example : Setting the upper 4 bits of port P0 as an input port and the lower 4 bits as an output port (Initial output data are 1010<sub>B</sub>).

```
LD      (P0), 00001010B    ; Sets initial data to P0 output latches
LD      (P0CR), 00001111B ; Sets the port P0 input/output mode
```

*Note : The port set to the input mode reads the state of the pin input. When the port is used both in input and in output modes, the output latch data of the port set to the input mode may be rewritten by execution of the bit manipulation instruction.*

### 2.2.2 Port P1 (P17 - P10)

Port P1 is an 8-bit input/output port which can be configured as an input or an output in one-bit unit under software control. Input/output mode is specified by the corresponding bit in the port P1 input/output control register (P1CR). Port P1 is configured as an input if its corresponding P1CR bit is cleared to "0", and as an output if its corresponding P1CR bit is set to "1". During reset, P1CR is initialized to "0", which configures port P1 as an input. The P1 output latches are also initialized to "0". Data is written into the output latch regardless of P1CR contents. Therefore initial output data should be written into the output latch before setting P1CR. Port P1 is also used as an external interrupt input, a timer/counter input/output, and a divider output. When used as a secondary function pin, the input pins should be set to the input mode, and the output pins should be set to the output mode and beforehand the output latch should be set to "1".

It is recommended that pins P11 and P15, P16, P17 should be used as external interrupt inputs, timer/counter input, or input ports. The interrupt latch is set on the rising or falling edge of the output when used as output ports.

Pin P10 ( $\overline{\text{INT0}}$ ) can be configured as either an I/O port or an external interrupt input with INT0EN (bit 6 in EINTCR). During reset, the pin P10 ( $\overline{\text{INT0}}$ ) is configured as an input port P10.

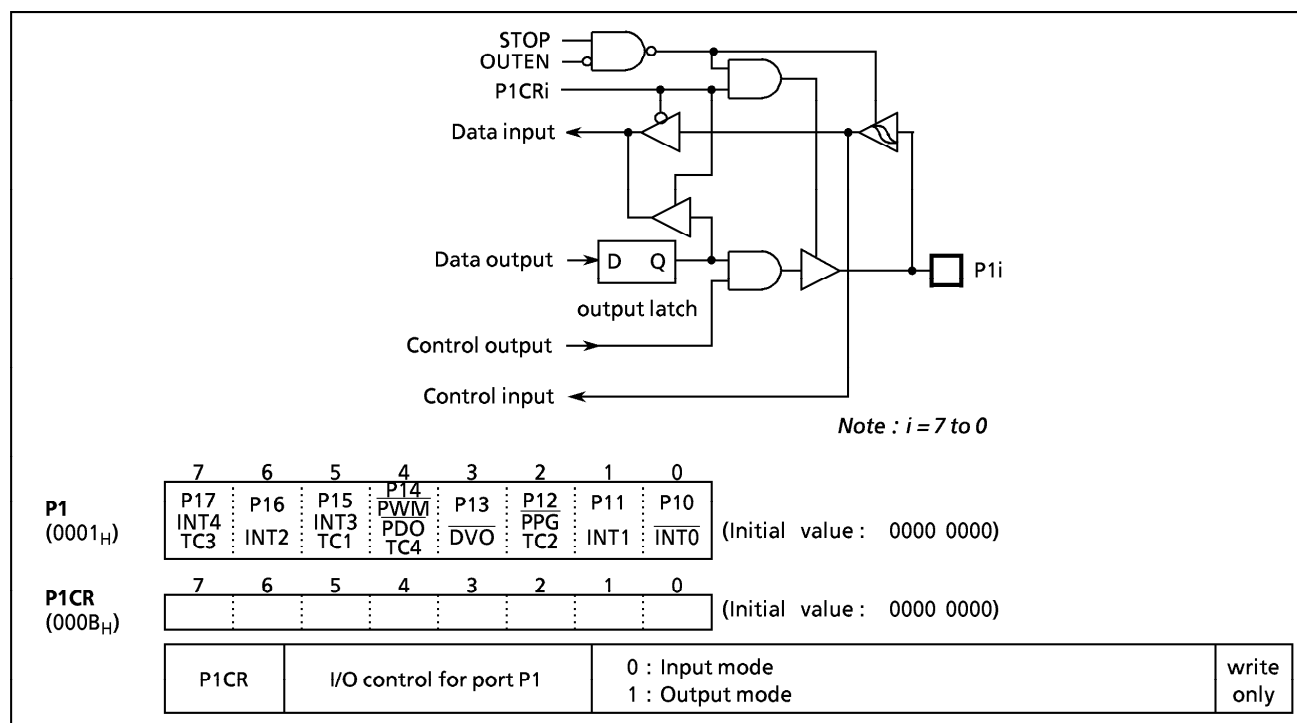


Figure 2-4. Port P1 and P1CR

Example : Sets P17, P16 and P14 as output ports, P13 and P11 as input ports, and the others as function pins. Internal output data is "1" for the P17 and P14 pins, and "0" for the P16 pin.

```
LD      (EINTCR), 01000000B ; INT0EN←1
LD      (P1), 10111111B ; P17←1, P14←1, P16←0
LD      (P1CR), 11010000B
```

*Note : The port set to the input mode reads the state of the pin input. When the port is used both in input and in output modes, the output latch data of the port set to the input mode may be rewritten by execution of the bit manipulation instruction.*



2.2.3 Port P2 (P22 - P20)

Port P2 is a 3-bit input/output port. It is also used as an external interrupt input, and low-frequency crystal connection pins. When used as an input port, or the secondary function pin, the output latch should be set to "1". During reset, the output latches are initialized to "1".

A low-frequency crystal (32.768 kHz) is connected to pins P21 (XTIN) and P22 (XTOUT) in the dual-clock mode. In the single-clock mode, pins P21 and P22 can be used as normal input/output ports.

It is recommended that the P20 pin should be used as an external interrupt input, a STOP mode release signal input, or an input port. If used as an output port, the interrupt latch is set on the falling edge of the output pulse.

When a read instruction for port P2 is executed, bits 7 to 3 in P2 read in as undefined data.

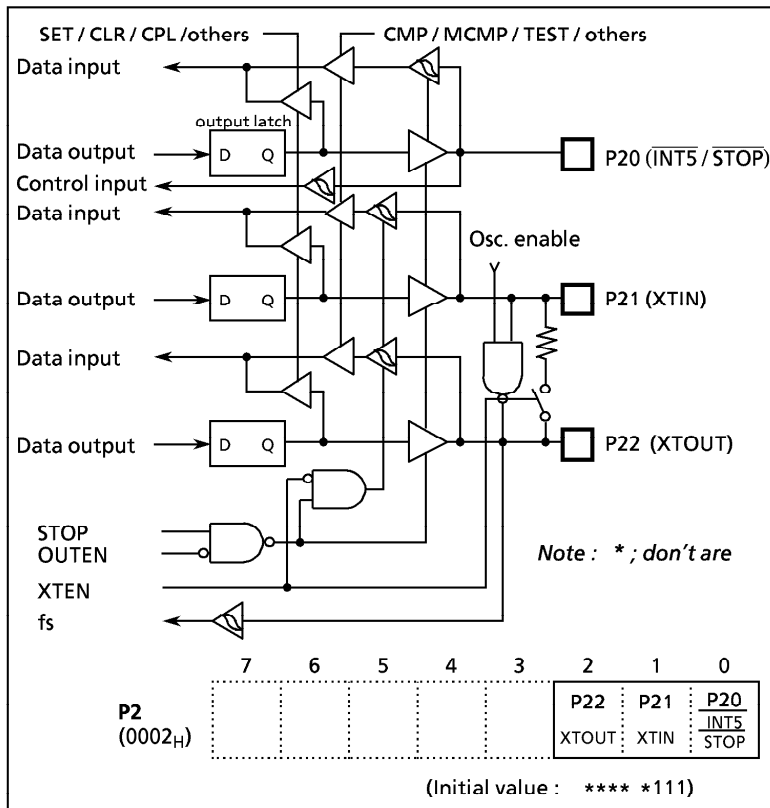


Figure 2-5. Port P2

### 2.2.4 Port P3 (P32 - P30)

Port P3 is an 3-bit input/output port, and is also used as serial bus interface (SBI) input/output. Input/output mode is specified by the corresponding bit in the port P3 input/output control register (P3CR). Port P3 is configured as an input if its corresponding P3CR bit is cleared to "0", and as an output if its corresponding P3CR bit is set to "1". During reset, P3CR is initialized to "0", which configures port P3 as input. The P3 output latches are also initialized to "0". Port P3 is also used as a serial bus interface input/output. When used as a secondary function pin, set P3 to the output mode using P3 port input/output control register (P3CR) to control input/output by the output data. (P3 is sink open drain with input/output control. At "1" of the output data, a pin is set to Hi-z and enabled to input.) When a read instruction for port P3 is executed bit 7 to 3 in P3 read in as undefined data.

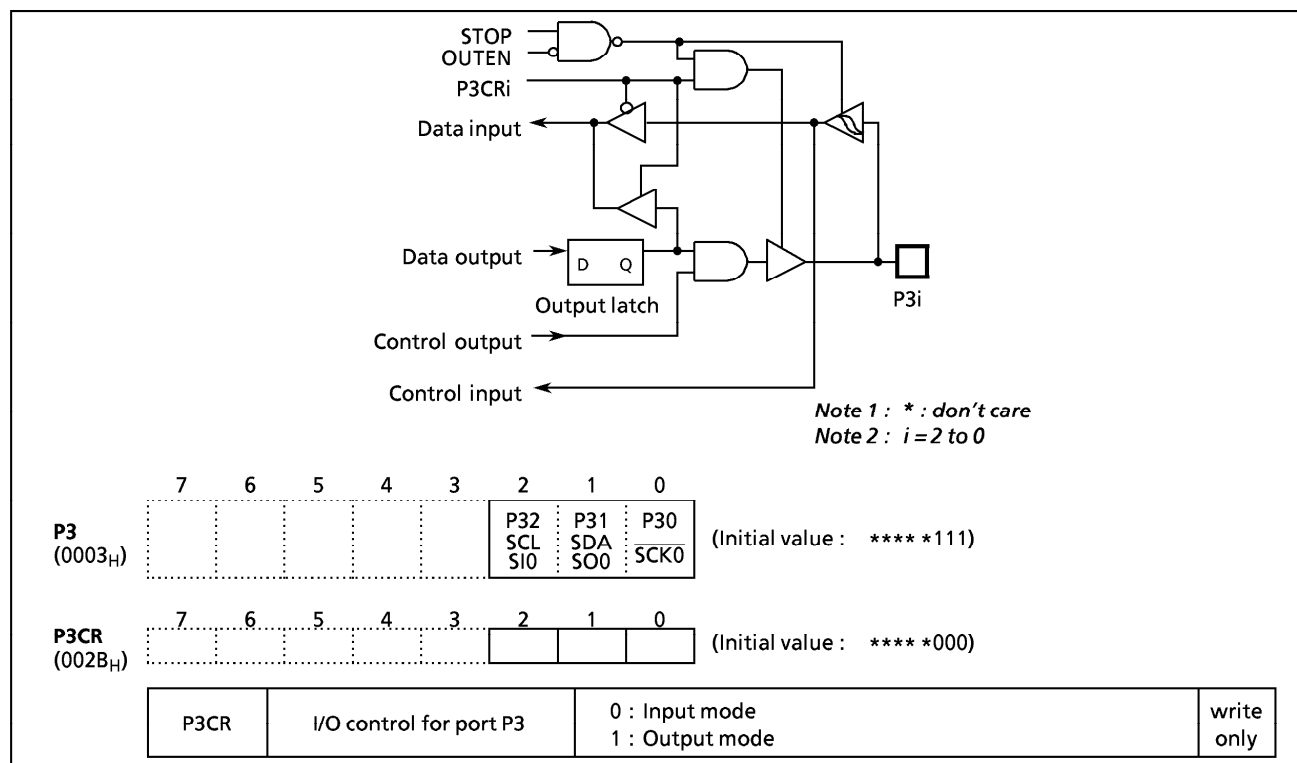


Figure 2-6. Port P3

*Note : The port set to the input mode reads the state of the pin input. When the port is used both in input and in output modes, the output latch data of the port set to the input mode may be rewritten by execution of the bit manipulation instruction.*

### 2.2.5 Port P4 (P47 - P40)

Ports P4 is an 8-bit input/output port which can be configured as an input or an output in one-bit unit under software control. Input/output mode is specified by the corresponding bit in the port P4 input/output control register (P4CR).

At reset, P4CR is set to 0 and AINDS is cleared to 0. Thus, P4 becomes an analog input port. At the same time, the output latch of port P4 is initialized to 0. P4CR is a write-only register. Pins not used for analog input can be used as I/O ports. But do not execute the output instruction to keep the accuracy in A/D conversion. Executing an input instruction on port P4 when the A/D converter is in use reads 0 at pins set for analog input : 1 or 0 at pins not set for analog input, depending on the pin input level.

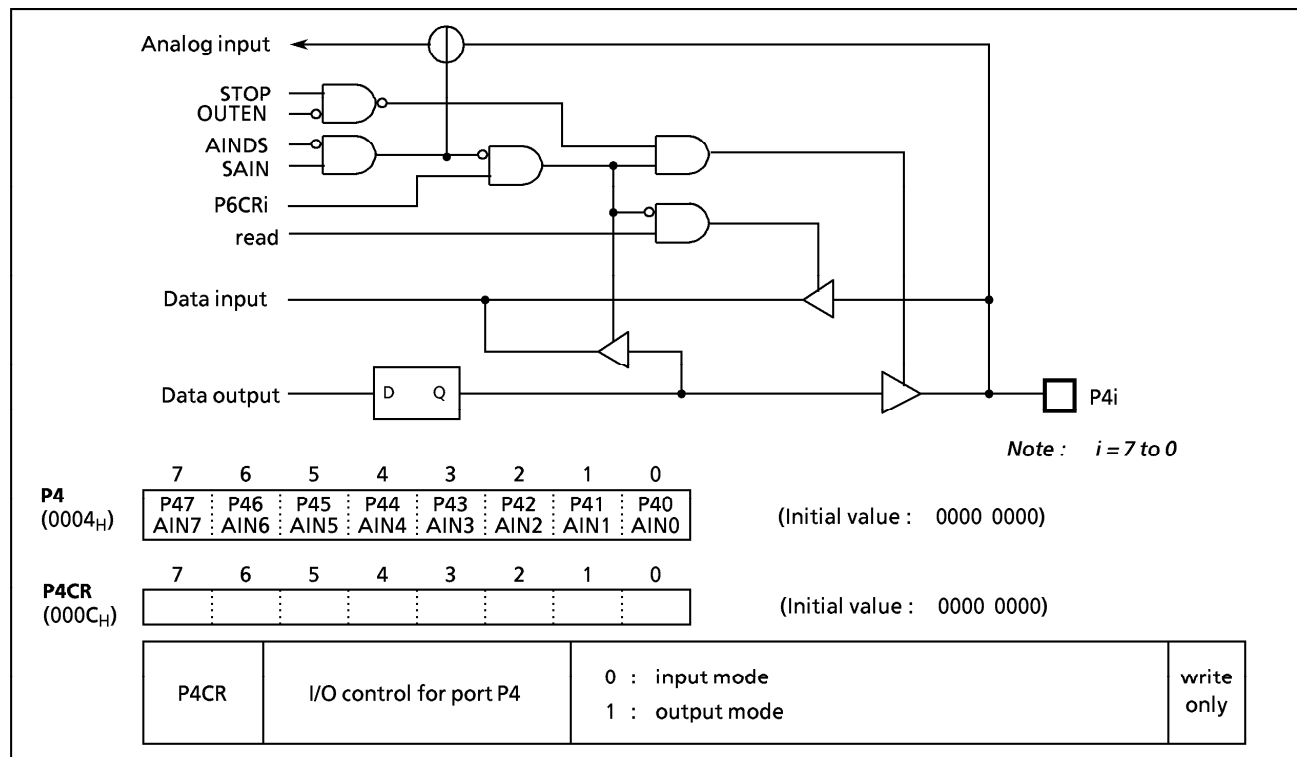


Figure 2-7. Port P4

*Note : The port set to the input mode reads the state of the pin input. When the port is used both in input and in output modes, the output latch data of the port set to the input mode may be rewritten by execution of the bit manipulation instruction.*

### 2.2.6 Port P5 (P57 - P50)

Ports P5 is an 8-bit input/output port which can be configured as an input or an output in one-bit unit under software control. Input/output mode is specified by the corresponding bit in the port P5 input/output control register (P5CR).

At reset, P5CR is set to 0 and AINDS is cleared to 0. Thus, P5 becomes an analog input port. At the same time, the output latch of port P5 is initialized to 0. P5CR is a write-only register. Pins not used for analog input can be used as I/O ports. But do not execute the output instruction to keep the accuracy in A/D conversion. Executing an input instruction on port P5 when the A/D converter is in use reads 0 at pins set for analog input : 1 or 0 at pins not set for analog input, depending on the pin input level.

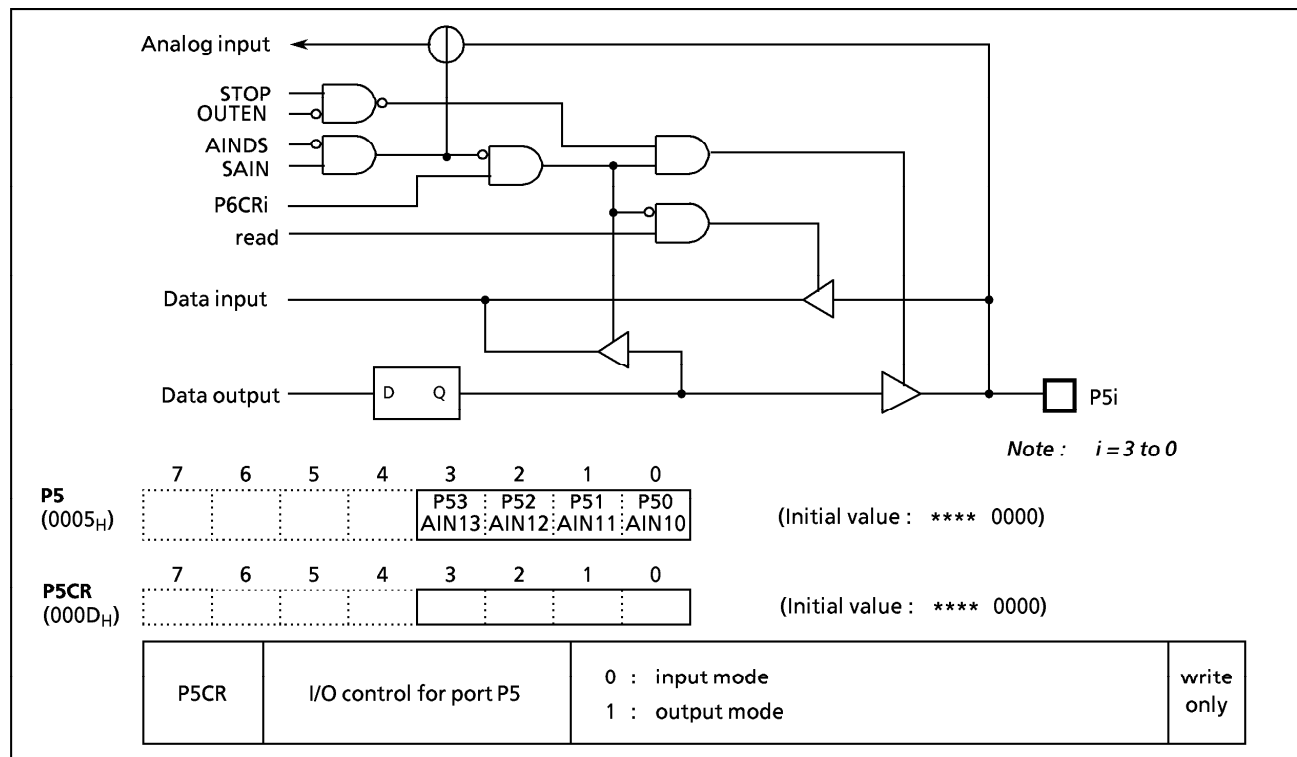


Figure 2-8. Port P5

*Note : The port set to the input mode reads the state of the pin input. When the port is used both in input and in output modes, the output latch data of the port set to the input mode may be rewritten by execution of the bit manipulation instruction.*

**2.2.7 Port P6 (P67 - P60)**

Port P6 are 8-bit high-breakdown voltage input/output ports, and are also used as VFT driver outputs, which can directly drive vacuum fluorescent tube (VFT). When used as an input port or a VFT driver output, the output latch should be cleared to "0". The output latches are initialized to "0" during reset. Pins which are not set for VFT driver output can be used as normal I/O port (refer to section "2.12.6 Port Function"). It is recommended that pins P67 to P60 should be used as VFT driver output.

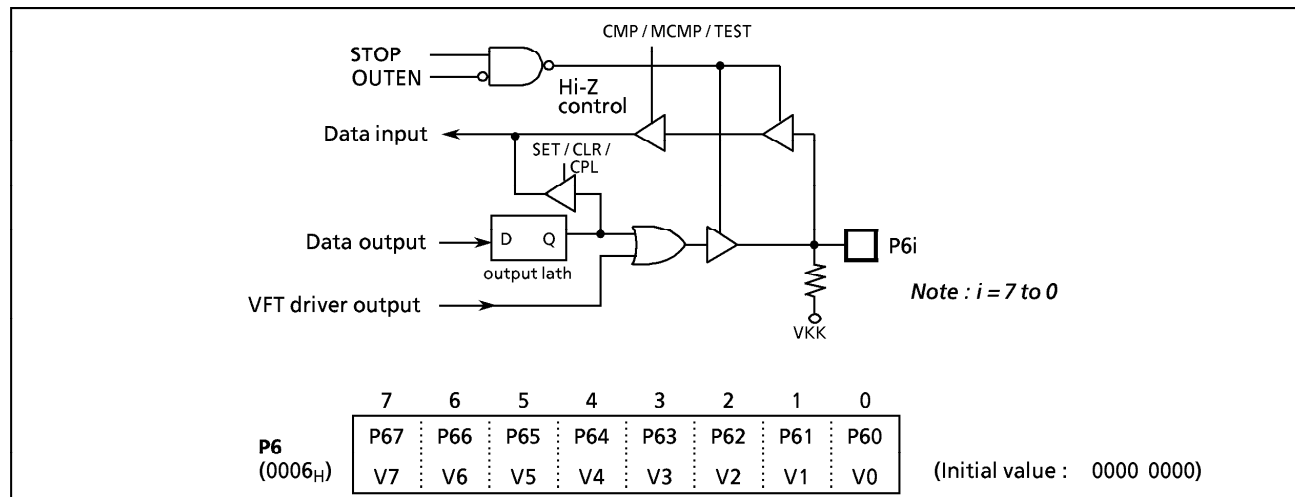


Figure 2-9. P6 Port

**2.2.8 Port P7 (P77 - P70)**

Port P7 are 8-bit high-breakdown voltage input/output ports, and are also used as VFT driver outputs, which can directly drive vacuum fluorescent tube (VFT). When used as an input port or a VFT driver output, the output latch should be cleared to "0". The output latches are initialized to "0" during reset. Pins which are not set for VFT driver output can be used as normal I/O port (refer to section "2.12.6 Port Function"). It is recommended that pins P77 to P70 should be used as VFT driver output.

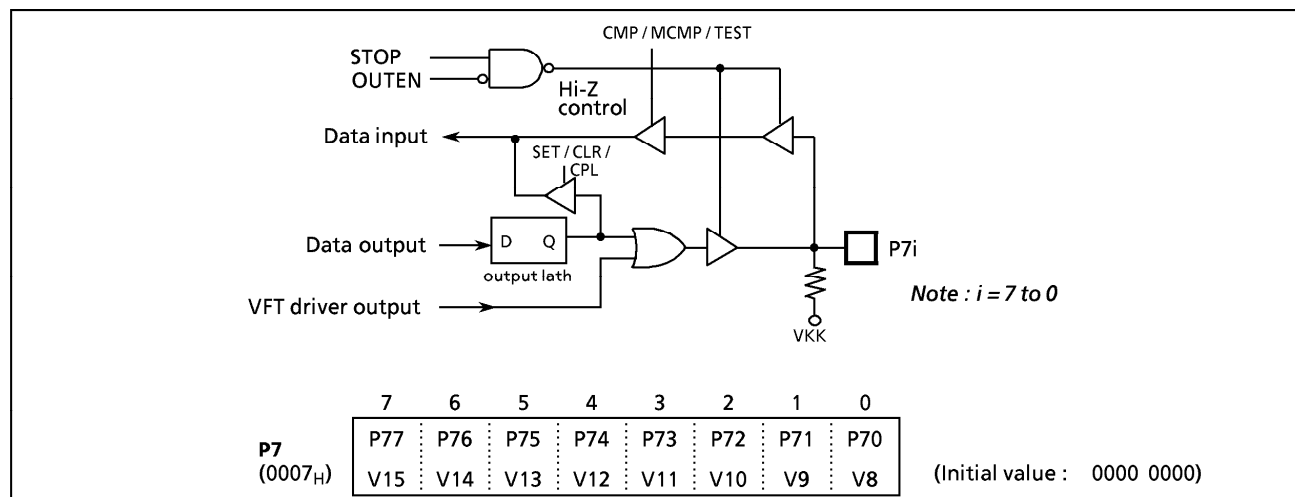


Figure 2-10. P7 Port

**2.2.9 Port P8 (P87 - P80)**

Port P8 are 8-bit high-breakdown voltage input/output ports, and are also used as VFT driver outputs, which can directly drive vacuum fluorescent tube (VFT). When used as an input port or a VFT driver output, the output latch should be cleared to "0". The output latches are initialized to "0" during reset. Pins which are not set for VFT driver output can be used as normal I/O port (refer to section "2.12.6 Port Function"). It is recommended that pins P87 to P80 should be used as VFT driver output.

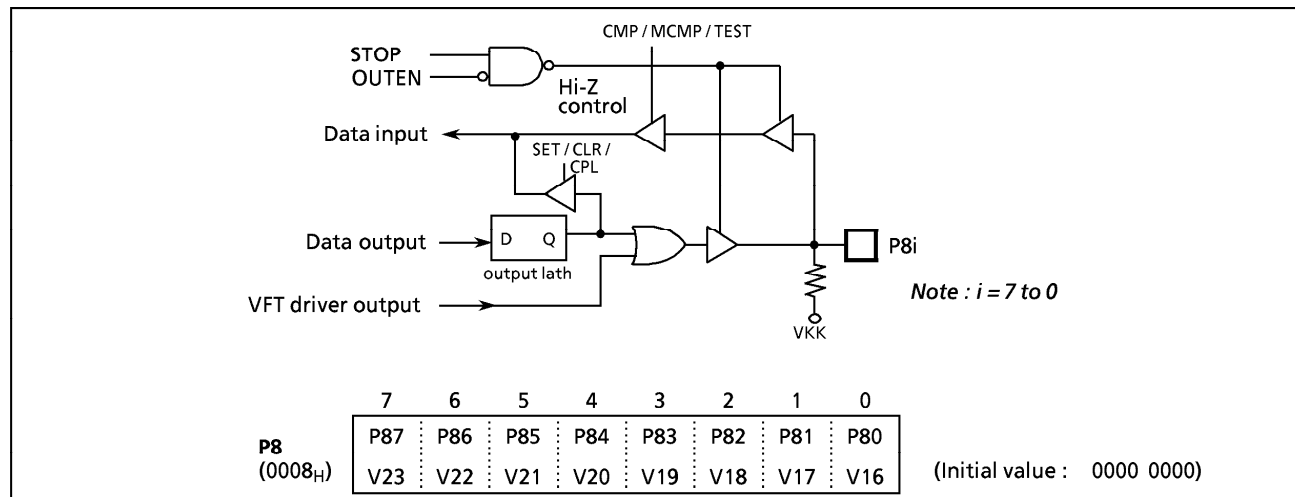


Figure 2-11. P8 Port

**2.2.10 Port P9 (P97 - P90)**

Port P9 is an 8-bit high-breakdown voltage input/output port, and also used as a VFT driver output, which can directly drive vacuum fluorescent tube (VFT). When used as an input port or a VFT driver output, the output latch should be cleared to "0". The output latches are initialized to "0" during reset. Pins which are not set for VFT driver output can be used as normal I/O port (refer to section "2.12.6 Port Function"). It is recommended that pins P97 to P90 should be used as segment output.

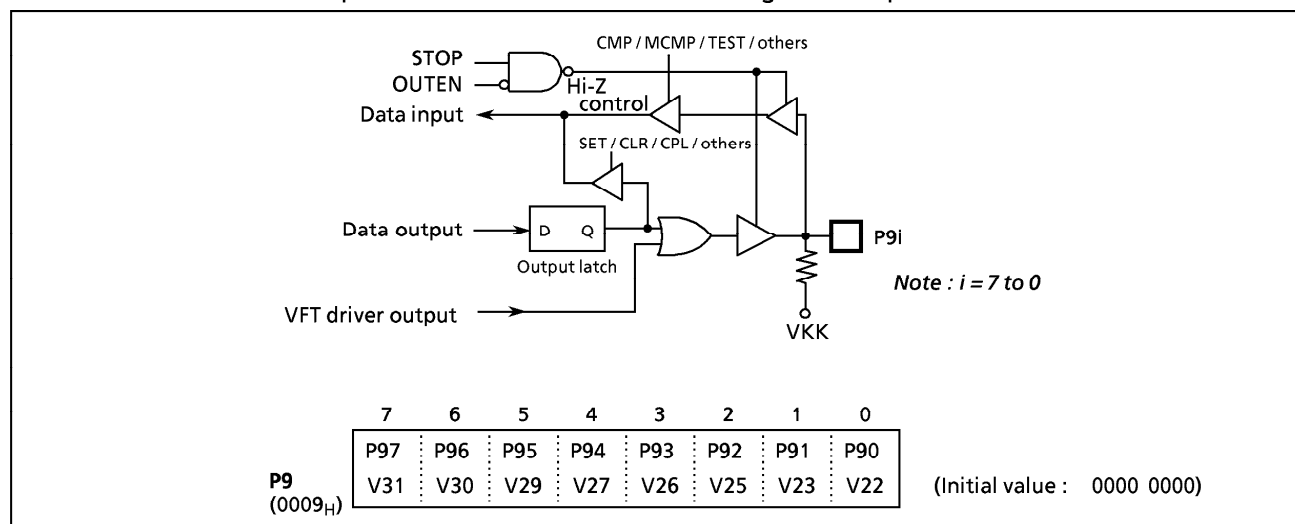


Figure 2-12. Port P9

2.2.11 PD (PD4 - PD0)

Ports PD are high-breakdown voltage input/output ports, and are also used as VFT driver outputs, which can directly drive vacuum fluorescent tube (VFT). The segment and the input/output port are specified by VSEL (bit 5 to 0) of VFT driver control register (VFTCR1). At reset, VSEL is cleared to "0" and used as the input/output port. When used as an input port or a VFT driver output, the output latch should be cleared to "0". Pins which are not set for VFT driver output can be used as normal I/O port (refer to section "2.12.6 Port Function"). The output latches are initialized to "0" during reset. When a read instruction for port PD is executed bit 7 to 5 in PD read in as undefined data.

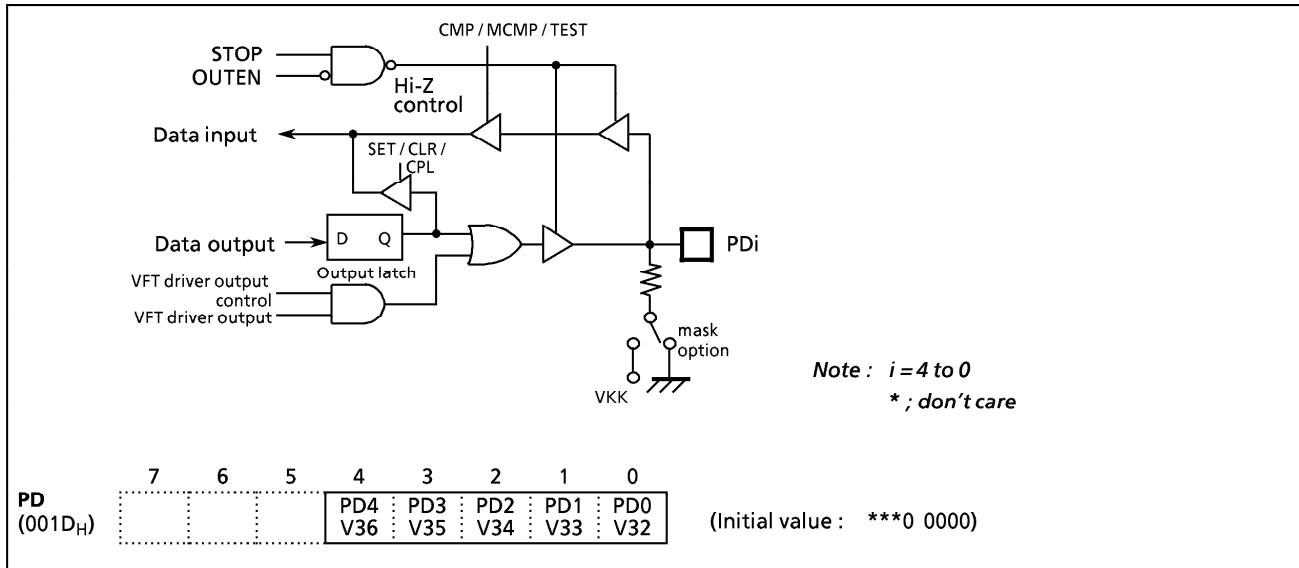


Figure 2-13. PD, PE, PF Ports

### 2.3 Time Base Timer (TBT)

The time base timer generates time base for key scanning, dynamic displaying, etc. It also provides a time base timer interrupt (INTTBT). The time base timer is controlled by the control register (TBTCR) shown in Figure 2-15.

An INTTBT is generated on the first rising edge of source clock (the divider output of the timing generator) after the time base timer has been enabled. The divider is not cleared by the program; therefore, only the first interrupt may be generated ahead of the set interrupt period.

*The interrupt frequency (TBTCK) must be selected with the time base timer disabled (both frequency selection and enabling can be performed simultaneously).*

Example : Sets the time base timer frequency to  $fc/2^{16}$  [Hz] and enables an INTTBT interrupt.

```
LD      (TBTCR), 00001010B
SET     (EIRL), 6
```

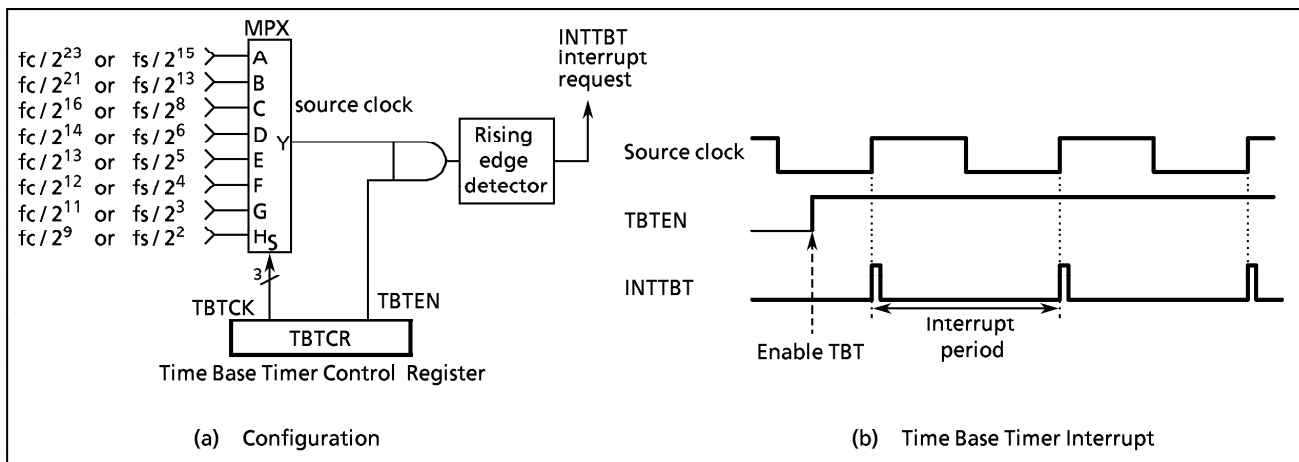


Figure 2-14. Time Base Timer



TBTCR (0036 <sub>H</sub> )	7	6	5	4	3	2	1	0	(Initial value : 0**0 0***)
	(DVOEN)	(DVQCK)	(DV7CK)	TBTEN	TBTCCK				
TBTEN	Time base timer enable/disable			0 : Disable 1 : Enable				R/W	
TBTCCK	Time base timer interrupt frequency select			000 : $fc/2^{23}$ or $fs/2^{15}$ [Hz] 001 : $fc/2^{21}$ or $fs/2^{13}$ 010 : $fc/2^{16}$ or $fs/2^8$ 011 : $fc/2^{14}$ or $fs/2^6$ 100 : $fc/2^{13}$ or $fs/2^5$ 101 : $fc/2^{12}$ or $fs/2^4$ 110 : $fc/2^{11}$ or $fs/2^3$ 111 : $fc/2^9$ or $fs/2$					
Note : $fc$ ; High-frequency clock [Hz], $fs$ ; Low-frequency clock [Hz], * ; don't care									

Figure 2-15. Time Base Timer and Divider Output Control Register

Table 2-1. Time Base Timer Interrupt Frequency

TBTCCK	NORMAL1/2, IDLE1/2 mode		SLOW, SLEEP mode	Interrupt Frequency	
	DV7CK = 0	DV7CK = 1		At $fc = 8$ MHz	At $fs = 32.768$ kHz
000	$fc/2^{23}$	$fs/2^{15}$	$fs/2^{15}$	0.95 Hz	1 Hz
001	$fc/2^{21}$	$fs/2^{13}$	$fs/2^{13}$	3.81	4
010	$fc/2^{16}$	$fs/2^8$	-	122.07	128
011	$fc/2^{14}$	$fs/2^6$	-	488.28	512
100	$fc/2^{13}$	$fs/2^5$	-	976.56	1024
101	$fc/2^{12}$	$fs/2^4$	-	1953.12	2048
110	$fc/2^{11}$	$fs/2^3$	-	3906.25	4096
111	$fc/2^9$	$fs/2$	-	15625	16384

### 2.4 Divider Output ( $\overline{DVO}$ )

A 50% duty pulse can be output using the divider output circuit, which is useful for piezo-electric buzzer drive. Divider output is from pin P13 ( $\overline{DVO}$ ). The P13 output latch should be set to "1" and then the P13 should be configured as an output mode.

Divider output circuit is controlled by the control register (TBTCR) shown in Figure 2-12.

		7	6	5	4	3	2	1	0		
<b>TBTCR</b> (0036 <sub>H</sub> )		DVOEN	DVOCK	(DV7CK)	(TB7EN)	(TB7CK)					(Initial value : 0**0 0***)
DVOEN	Divider output enable/disable	0 : Disable 1 : Enable							R/W		
DVOCK	Divider output ( $\overline{DVO}$ ) frequency selection	00 : $f_c / 2^{13}$ or $f_s / 2^5$ [Hz] 01 : $f_c / 2^{12}$ or $f_s / 2^4$ 10 : $f_c / 2^{11}$ or $f_s / 2^3$ 11 : $f_c / 2^{10}$ or $f_s / 2^2$									
<p>Note : <math>f_c</math> ; High-frequency clock [Hz], <math>f_s</math> ; Low-frequency clock [Hz], * ; don't care</p>											

Figure 2-16. Divider Output Control Register

Example : 1 kHz pulse output (at  $f_c = 8$  MHz)

```

SET      (P1).3           ; P13 output latch ←1
LD       (P1CR), 00001000B ; Configures P13 as an output mode
LD       (TBTCR), 10000000B ; DVOEN←1, DVOCK←00
    
```

Table 2-2. Frequency of Divider Output

DVOCK	Frequency of Divider Output	At $f_c = 8$ MHz	At $f_s = 32.768$ kHz
00	$f_c / 2^{13}$ or $f_s / 2^5$	0.976 [kHz]	1.024 [kHz]
01	$f_c / 2^{12}$ or $f_s / 2^4$	1.953	2.048
10	$f_c / 2^{11}$ or $f_s / 2^3$	3.906	4.096
11	$f_c / 2^{10}$ or $f_s / 2^2$	7.812	8.192

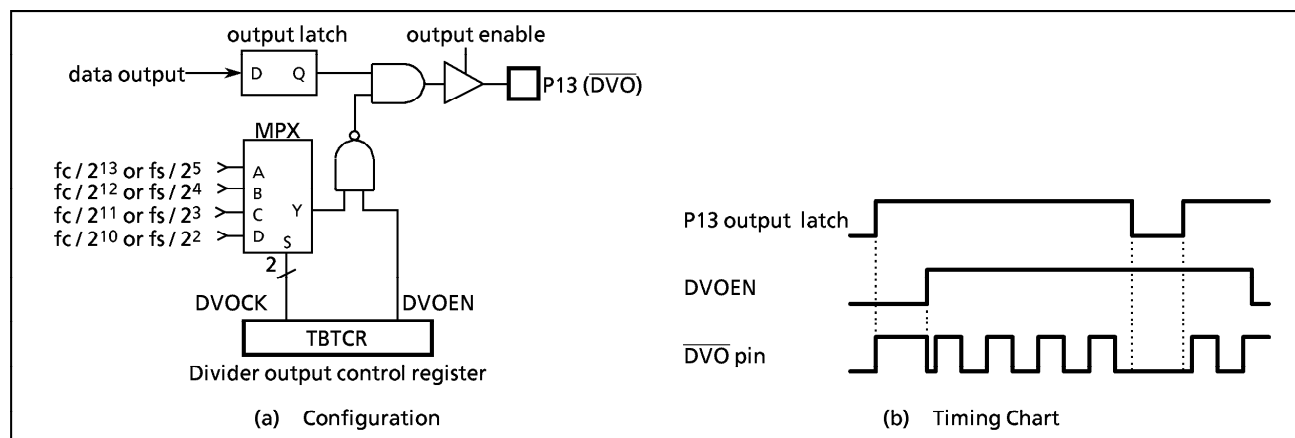


Figure 2-17. Divider Output

2.5 16-bit Timer/Counter 1 (TC1)  
2.5.1 Configuration

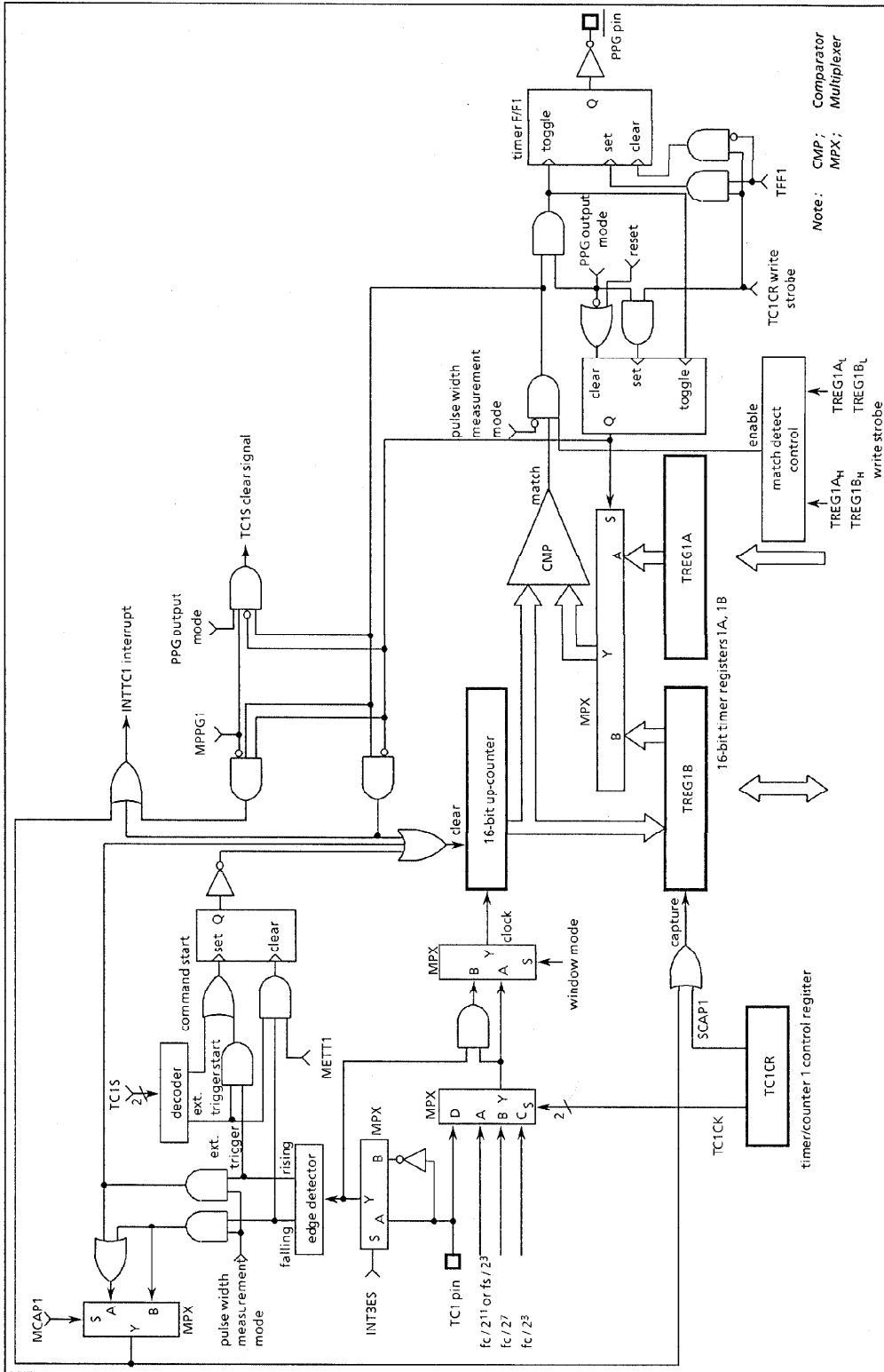


Figure 2-18. Timer/Counter 1

### 2.5.2 Control

The timer/counter 1 is controlled by a timer/counter 1 control register (TC1CR) and two 16-bit timer registers (TREG1A and TREG1B). Reset does not affect TREG1A and TREG1B.

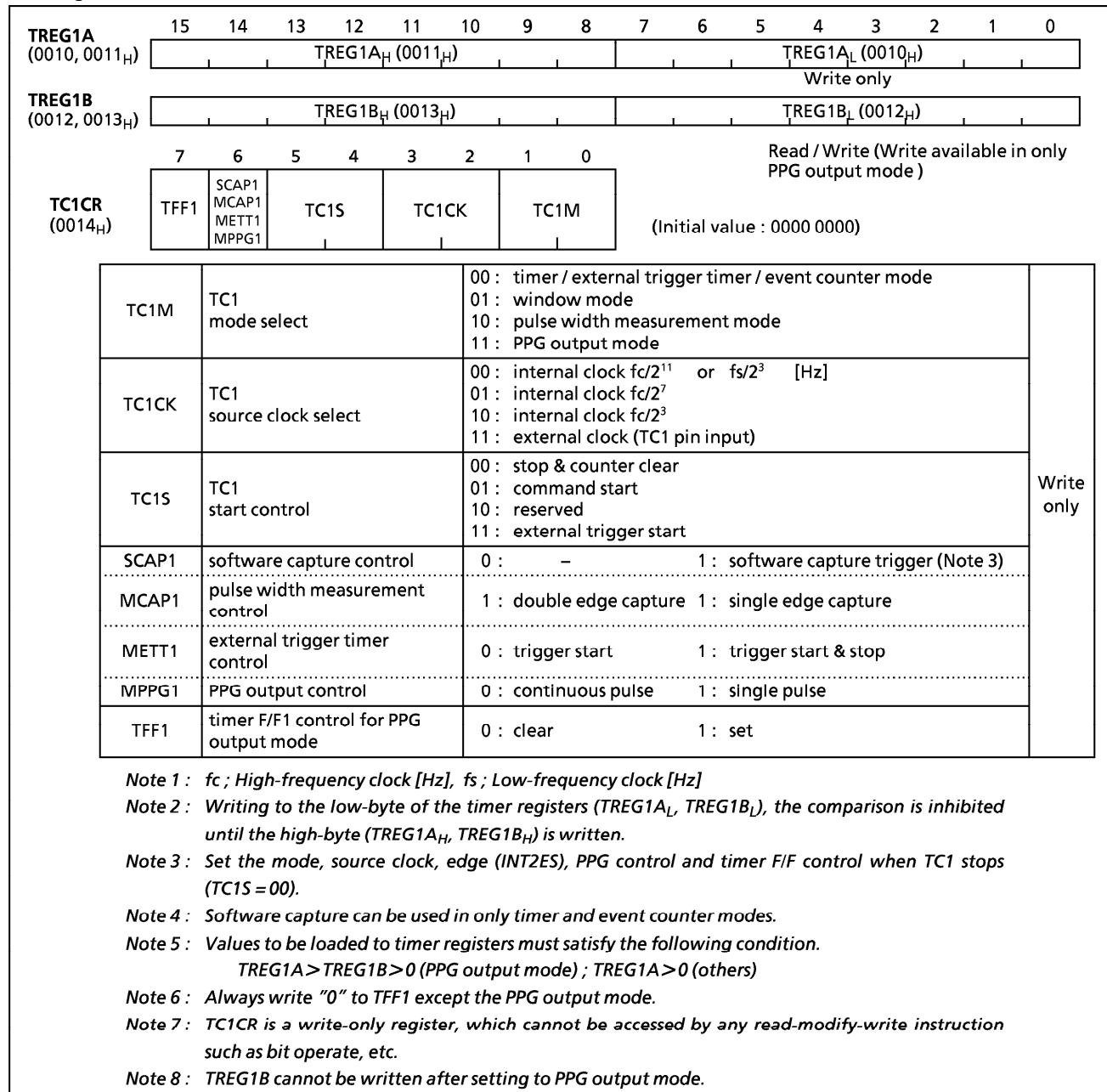


Figure 2-19. Timer Registers and TC1 Control Register

### 2.5.3 Function

Timer/counter 1 has six operating modes: timer, external trigger timer, event counter, window, pulse width measurement, programmable pulse generator output mode.

#### (1) Timer Mode

In this mode, counting up is performed using the internal clock. The contents of TREG1A are compared with the contents of up-counter. If a match is found, an INTTC1 interrupt is generated, and the counter is cleared to "0". Counting up resumes after the counter is cleared. The current contents of up-counter can be transferred to TREG1B by setting SCAP1 (bit 6 in TC1CR) to "1" (software capture function). SCAP1 is automatically cleared to "0" after capturing.

Table 2-3. Timer/Counter 1 Source Clock (Internal Clock)

Source clock		Resolution	Maximum time setting			
NORMAL1/2, IDLE1/2 modes	SLOW, SLEEP modes		At $f_c = 8 \text{ MHz}$	At $f_s = 32.768 \text{ kHz}$		
DV7CK = 0	DV7CK = 1	At $f_c = 8 \text{ MHz}$	At $f_s = 32.768 \text{ kHz}$	At $f_c = 8 \text{ MHz}$	At $f_s = 32.768 \text{ kHz}$	
$f_c / 2^3 \text{ [Hz]}$	$f_c / 2^3 \text{ [Hz]}$	–	$1 \mu\text{s}$	–	65.5 ms	–
$f_c / 2^7$	$f_c / 2^7$	–	$16 \mu\text{s}$	–	1.0 s	–
$f_c / 2^{11}$	$f_s / 2^3$	$f_s / 2^3 \text{ [Hz]}$	$256 \mu\text{s}$	$244.14 \mu\text{s}$	16.8 s	16.0 s

Example 1 : Sets the timer mode with source clock  $f_s/2^3\text{[Hz]}$  and generates an interrupt 1 s later (at  $f_s = 32.768 \text{ kHz}$ ).

```
LDW      (TREG1A), 1000H      ; Sets the timer register ( $1 \text{ s} \div 2^3 / f_s = 1000_{\text{H}}$ )
SET      (EIRL). EF4         ; INTTC1 interrupt enable
EI
LD       (TC1CR), 00010000B   ; Starts TC1
```

Example 2 : Software capture

```
LD       (TC1CR), 01010000B   ; SCAP1 ← 1 (Captures)
LD       WA, (TREG1B)         ; Reads captured value
```

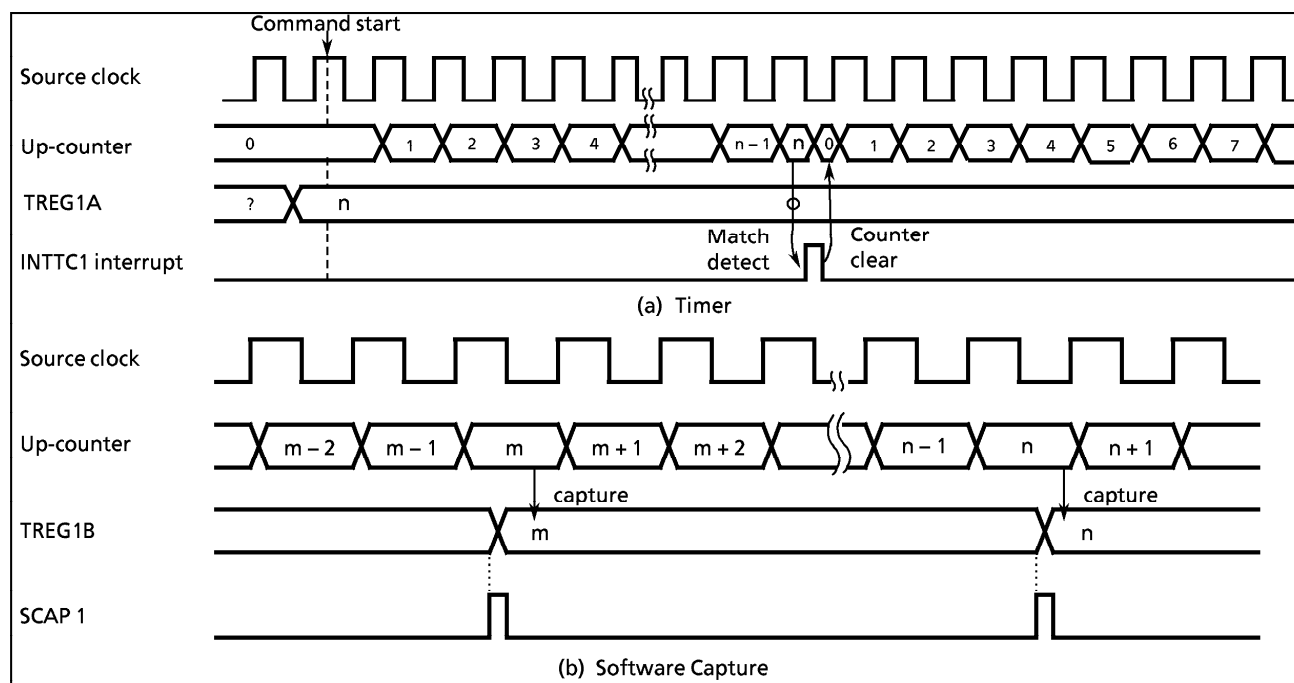


Figure 2-20. Timer Mode Timing Chart

(2) External Trigger Timer mode

In this mode, counting up is started by an external trigger. This trigger is the edge of the TC1 pin input. Either the rising or falling edge can be selected with INT3ES. Edge selection is the same as for the external interrupt input INT3 pin. Source clock is used an internal clock selected with TC1CK. The contents of TREG1A is compared with the contents of up-counter. If a match is found, an INTTC1 interrupt is generated, and the counter is cleared to "0" and halted. The counter is restarted by the selected edge of the TC1 pin input.

The TC1 pin input has the same noise rejection as the INT3 pin; therefore, pulses of  $7/f_c \text{ [s]}$  or less are rejected as noise. A pulse width of  $24/f_c \text{ [s]}$  or more is required for edge detection in NORMAL1/2 or IDLE1/2 mode. The noise rejection circuit is turned off in SLOW and SLEEP modes. But, a pulse width of  $4/f_s \text{ [s]}$  or more is required.

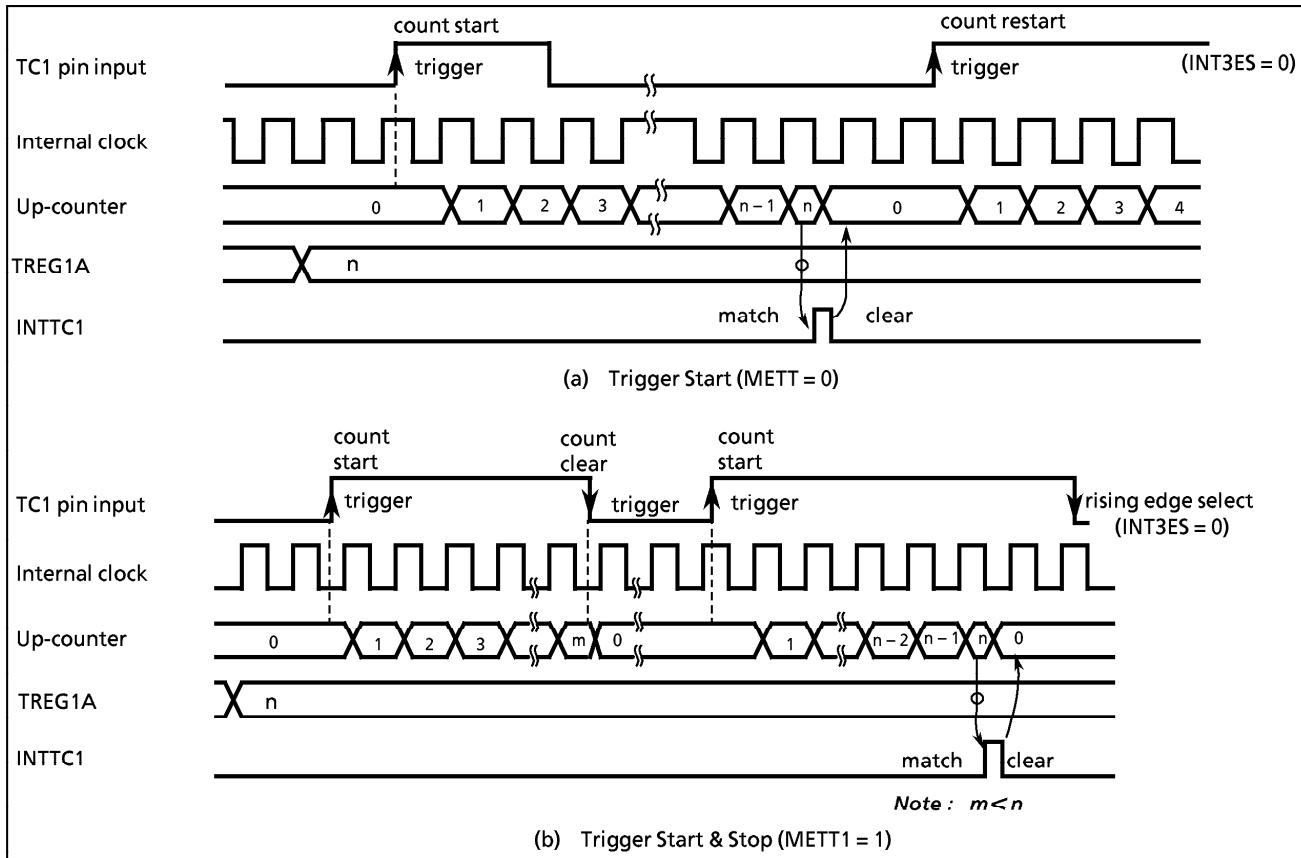


Figure 2-21. External Trigger Timer Mode Timing Chart

(3) Event Counter Mode

In this mode, events are counted on the edge of the TC1 pin input. Either the rising or falling edge can be selected with INT3ES in EINTCR. The contents of TREG1A are compared with the contents of up-counter. If a match is found, an INTTC1 interrupt is generated, and the counter is cleared. The maximum applied frequency is  $f_c/2^4$  [Hz] in NORMAL1/2 or IDLE1/2 mode and  $f_s/2^4$  [Hz] in SLOW or SLEEP mode.

Setting SCAP1 to "1" transfers the current contents of up-counter to TREG1B (software capture function). SCAP is automatically cleared after capturing.

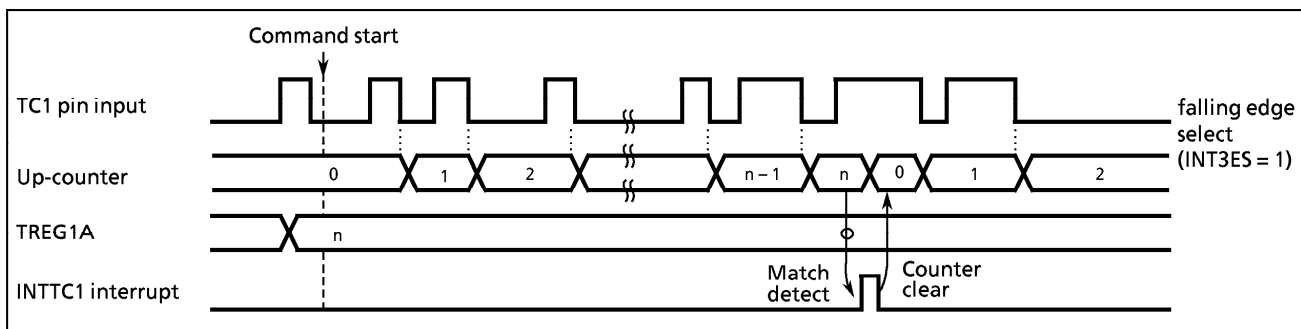


Figure 2-22. Event Counter Mode Timing Chart (INT3ES = 1)

(4) Window mode

Counting up is performed on the rising edge of the pulse that is the logical AND-ed product of the TC1 pin input (window pulse) and an internal clock. The contents of TREG1A are compared with the contents of up-counter. If a match is found, an INTTC1 interrupt is generated, and the counter is cleared. Positive or negative logic for the TC1 pin input can be selected with INT3ES. Setting SCAP1 to "1" transfers the current contents of up-counter to TREG1B. It is necessary that the maximum applied frequency (TC1 input) be such that the counter value can be analyzed by the program. That is, the frequency must be considerably slower than the selected internal clock.

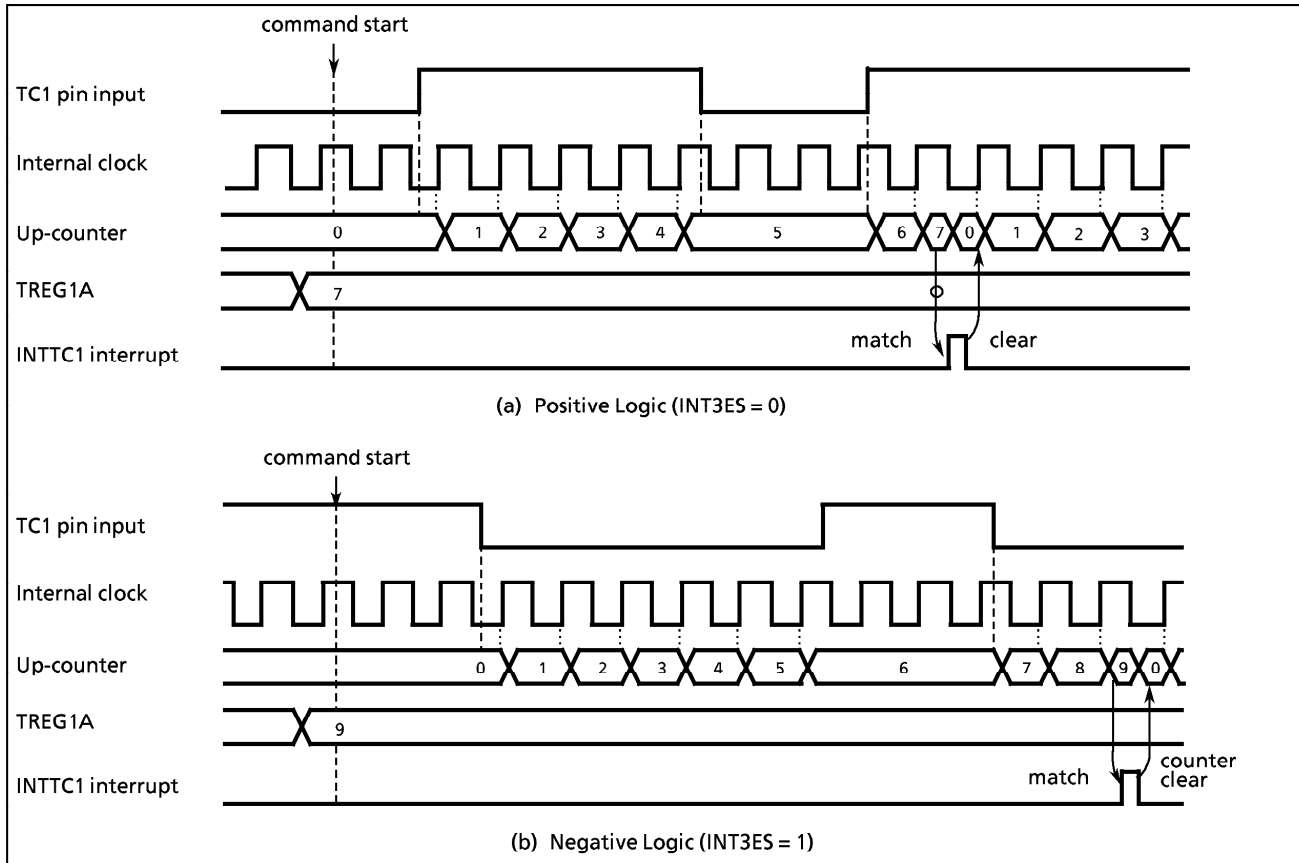


Figure 2-23. Window Mode Timing Chart

(5) Pulse width measurement mode

Counting is started by the external trigger (set to external trigger start by TC1S). The trigger can be selected either the rising or falling edge of the TC1 pin input. The source clock is used an internal clock. On the next falling (rising) edge, the counter contents are transferred to TREG1B and an INTTC1 interrupt is generated. The counter is cleared when the single edge capture mode is set. When double edge capture is set, the counter continues and, at the next rising (falling) edge, the counter contents are again transferred to TREG1B. If a falling (rising) edge capture value is required, it is necessary to read out TREG1B contents until a rising (falling) edge is detected. Falling or rising edge is selected with INT3ES, and single edge or double edge is selected with MCAP1 (bit 6 in TC1CR).

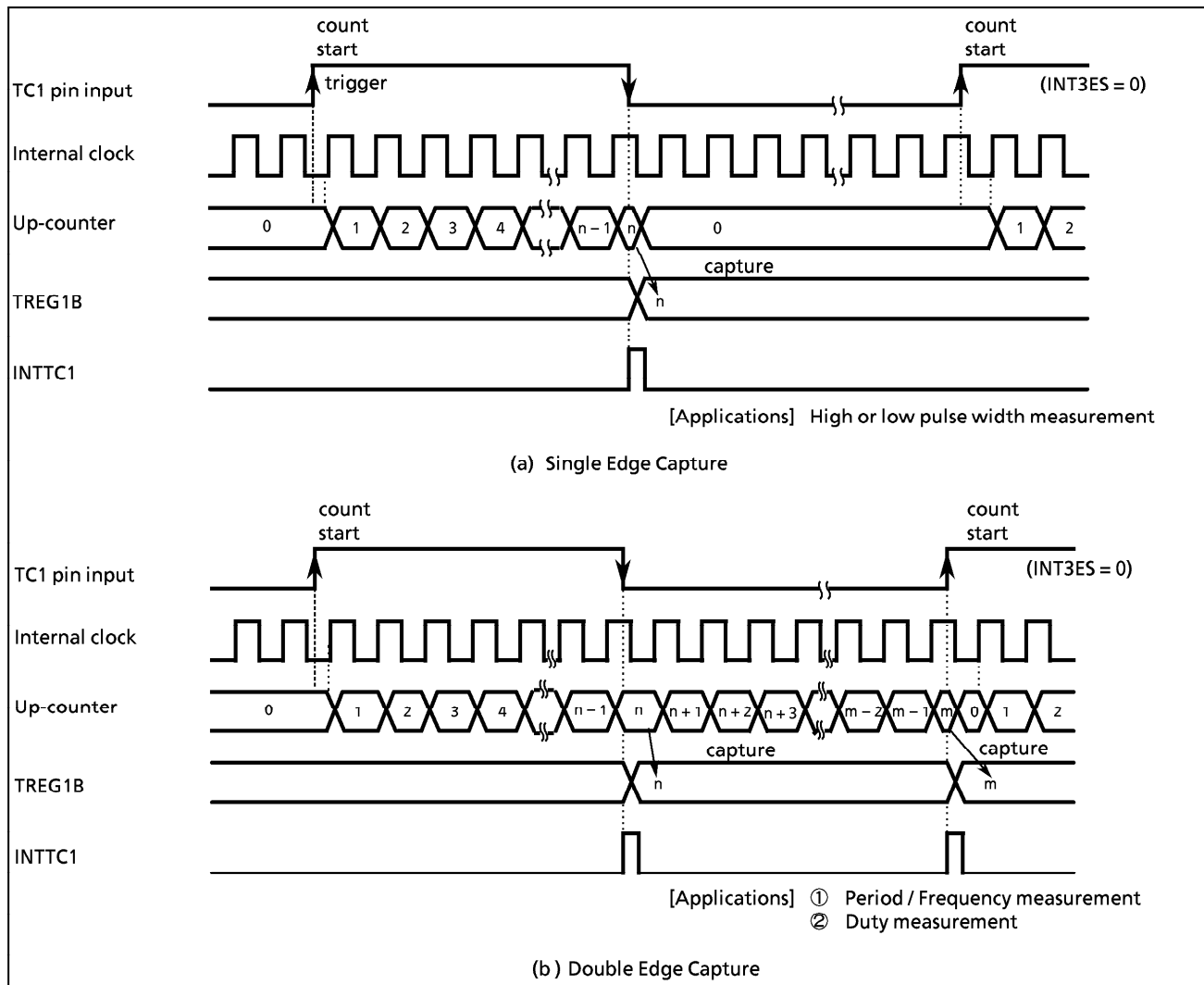


Figure 2-24. Pulse Width Measurement Mode Timing Chart

Example : Duty measurement (Resolution  $fc/2^7$  [Hz])

```

CLR   (INTTC1C).0 ; INTTC1 service switch initial setting
LD    (EINTCR), 00000000B ; Sets the rise edge at the INT3 edge
LD    (TC1CR), 00000110B ; Sets the TC1 mode and source clock
SET   (EIRL).4 ; Enables INTTC1
EI
LD    (TC1CR), 00110110B ; Starts TC1 with an external trigger
...
PINTTC1: CPL (INTTC1C).0 ; Complements INTTC1 service switch
        JRS F, SINTTC1
        LD (HPULSE), (TREG1BL) ; Reads TREG1B
        LD (HPULSE + 1), (TREG1BH)
        RETI
SINTTC1: LD (WIDTH), (TREG1BL) ; Reads TREG1B (Period)
        LD (WIDTH + 1), (TREG1BH)
        ...
        RETI
        ...
VINTTC1: DW PINTTC1
    
```



(6) Programmable Pulse Generate (PPG) output mode

Counting is started by an edge of the TC1 pin input (either the rising or falling edge can be selected) or by a command. The source clock is used an internal clock. First, the contents of TREG1B are compared with the contents of the up-counter. If a match is found, timer F/F1 output is toggled. Next, timer F/F1 is again toggled and the counter is cleared by matching with TREG1A. An INTTC1 interrupt is generated at this time. Timer F/F output is connected to the P12 ( $\overline{PPG}$ ) pin. In the case of  $\overline{PPG}$  output, set the P12 output latch to "1" and configure as an output with P1CR4. Timer F/F1 is cleared to "0" during reset. The timer F/F1 value can also be set by program and either a positive or negative logic pulse output is available. Also, writing to the TREG1B is not possible unless the timer / counter 1 is set to the PPG output mode with TC1M.

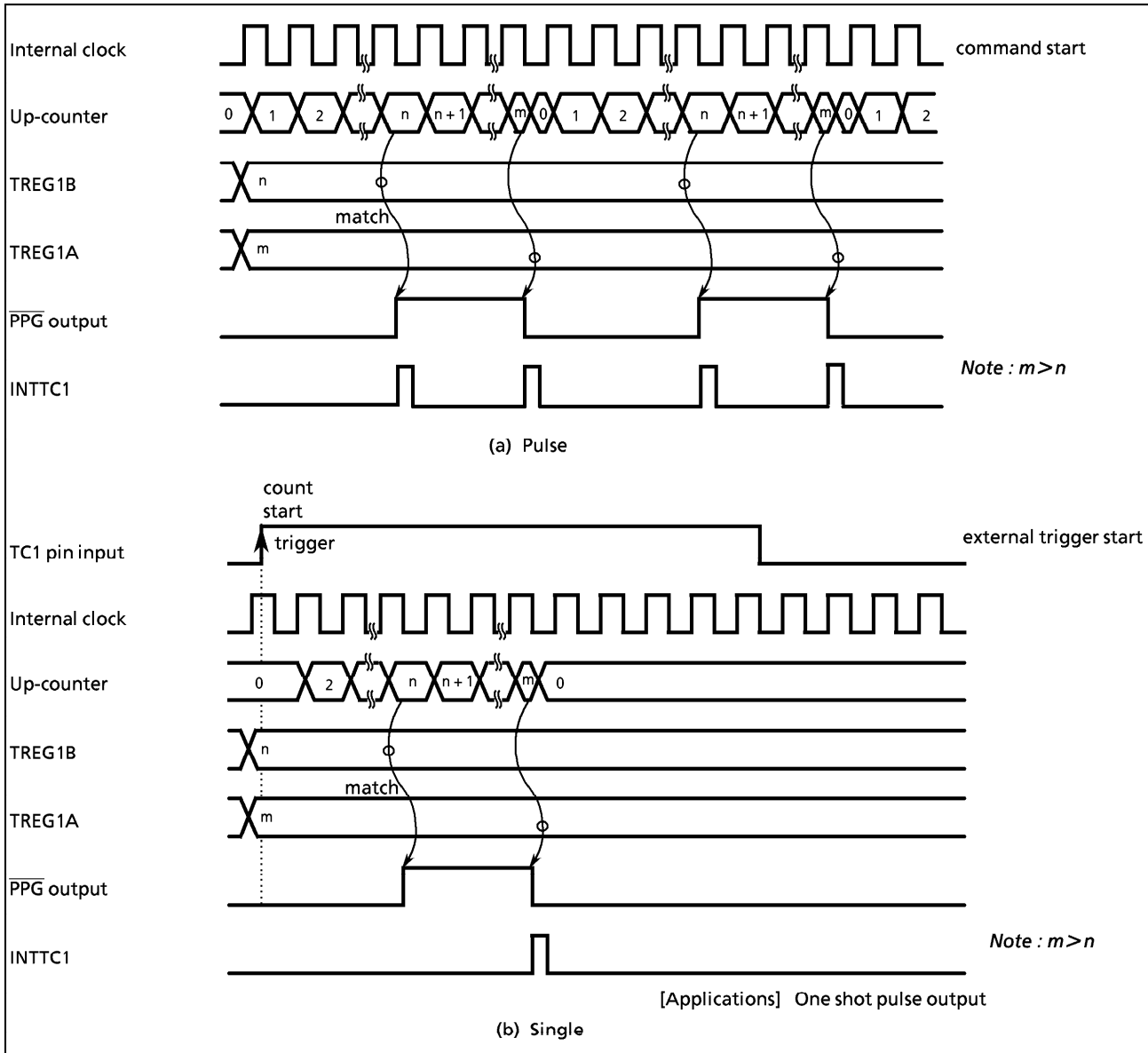


Figure 2-25. PPG Output Mode Timing Chart

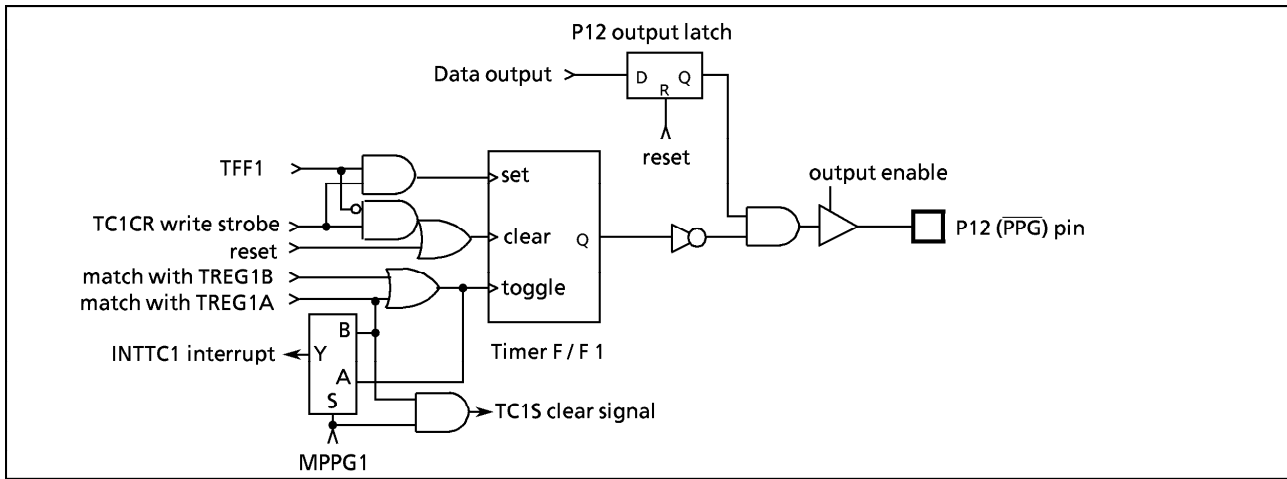


Figure 2-26. PPG Output

## 2.6 16-bit Timer/Counter 2 (TC2)

### 2.6.1 Configuration

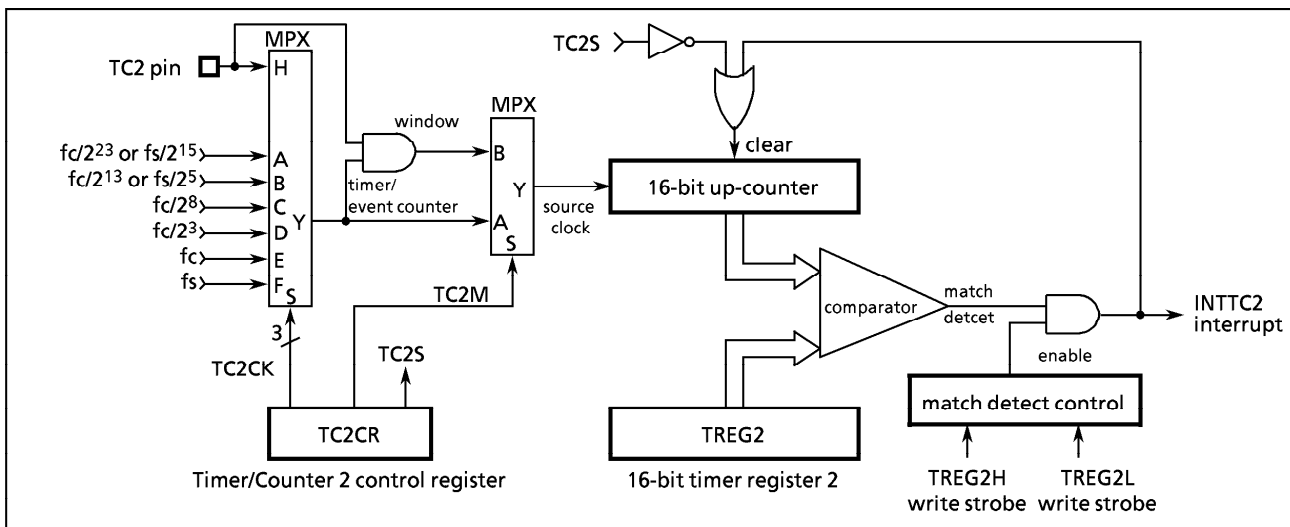


Figure 2-27. Timer/Counter 2 (TC2)

2.6.2 Control

The timer/counter 2 is controlled by a timer/counter 2 control register (TC2CR) and a 16-bit timer register 2 (TREG2). Reset does not affect TREG2.

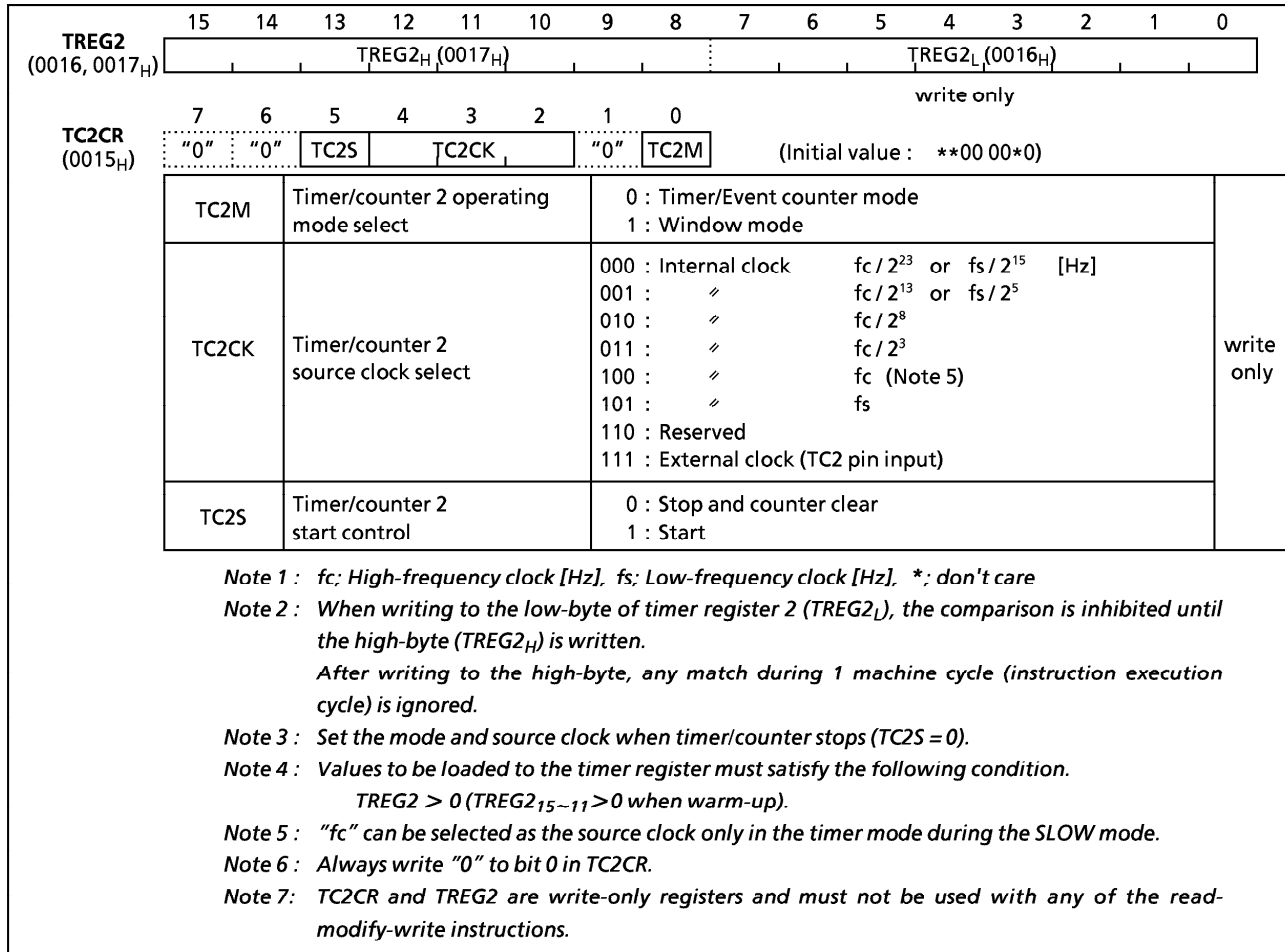


Figure 2-28. Timer Register 2 and TC2 Control Register

2.6.3 Function

The timer/counter 2 has three operating modes: timer, event counter and window modes. Also timer/counter 2 is used for warm-up when switching from SLOW mode to NORMAL2 mode.

(1) Timer Mode

In this mode, the internal clock is used for counting up. The contents of TREG2 are compared with the contents of up-counter. If a match is found, a timer/ counter 2 interrupt (INTTC2) is generated, and the counter is cleared. Counting up is resumed after the counter is cleared.

Also, when  $fc$  is selected as the source clock during SLOW mode, the lower 11 bits of TREG2 are ignored and an INTTC2 interrupt is generated by matching the upper 5 bits. Thus, in this case, only the TREG2<sub>H</sub> setting is necessary.

Table 2-4. Source Clock (Internal Clock) for Timer/Counter 2

Source clock				Resolution		Maximum time setting	
NORMAL1/2, IDLE1/2 mode		SLOW mode	SLEEP mode	At $f_c = 8 \text{ MHz}$	At $f_s = 32.768 \text{ kHz}$	At $f_c = 8 \text{ MHz}$	At $f_s = 32.768 \text{ kHz}$
DV7CK = 0	DV7CK = 1						
$f_c / 2^{23}[\text{Hz}]$	$f_s / 2^{15}[\text{Hz}]$	$f_s / 2^{15} [\text{Hz}]$	$f_s / 2^{15} [\text{Hz}]$	1.05 s	1 s	19.1 h	18.2 h
$f_c / 2^{13}$	$f_s / 2^5$	$f_s / 2^5$	$f_s / 2^5$	1.02 ms	0.98 ms	1.1 min	1.07 min
$f_c / 2^8$	$f_c / 2^8$	–	–	32 $\mu\text{s}$		2.1 s	
$f_c / 2^3$	$f_c / 2^3$	–	–	1 $\mu\text{s}$		65.5 ms	
–	–	$f_c$ (Note)	–	125 ns		8.2 ms	
$f_s$	$f_s$	–	–		30.5 $\mu\text{s}$		2 s

Note : "fc" can be used only in the timer mode.

Example : Sets the timer mode with source clock  $f_c/2^3$  [Hz] and generates an interrupt every 25 ms (at  $f_c = 8 \text{ MHz}$ ).

```
LDW      (TREG2), 61A8H      ; Sets TREG2 (25 ms ÷ 23/fc = 61A8H)
SET      (EIRH). EF14      ; INTTC2 interrupt enable
EI
LD       (TC2CR), 00101100B ; Starts TC2
```

(2) Event Counter Mode

In this mode, events are counted on the rising edge of the TC2 pin input. The contents of TREG2 are compared with the contents of the up-counter. If a match is found, an INTTC2 interrupt is generated, and the counter is cleared. The maximum frequency applied to the TC2 pin is  $f_c/2^4$  [Hz] in NORMAL1/2 or IDLE1/2 mode, and  $f_s/2^4$  [Hz] in SLOW or SLEEP mode.

Example : Sets the event counter mode and generates an INTT2 interrupt 640 counts later.

```
LDW      (TREG2), 0280H      ; Sets TREG2
SET      (EIRH). EF14      ; INTTC2 interrupt enable
EI
LD       (TC2CR), 00111100B ; Starts TC2
```

(3) Window Mode

In this mode, counting up is performed on the rising edge of the pulse that is the logical AND-ed product of the TC2 pin input (window pulse) and an internal clock. The internal clock is selected with TC2CK. The contents of TREG2 are compared with the contents of up-counter. If a match is found, an INTTC2 interrupt is generated, and the up-counter is cleared to "0". It is necessary that the maximum applied frequency (TC2 input) be such that the counter value can be analyzed by the program. That is, the frequency must be considerably slower than the selected internal clock.

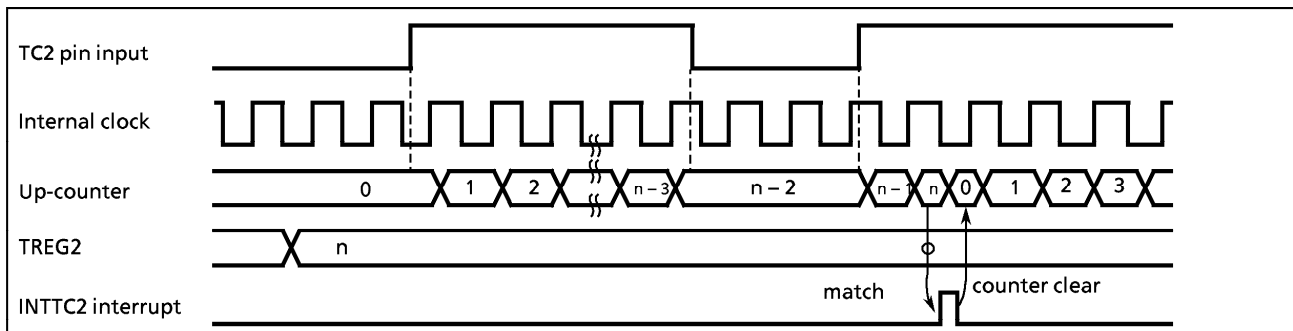


Figure 2-29. Window Mode Timing Chart

## 2.7 8-Bit Timer/Counter 3 (TC3)

### 2.7.1 Configuration

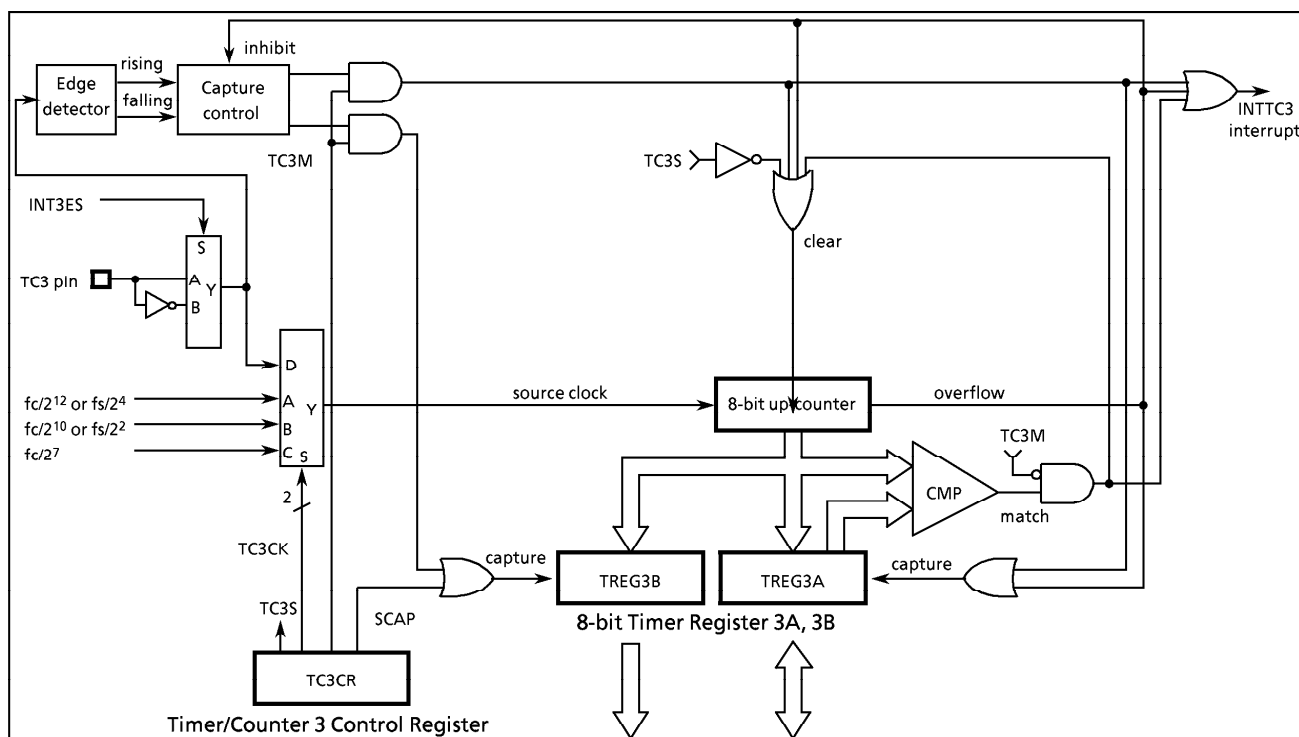


Figure 2-30. Timer/Counter 3

### 2.7.2 Control

TREG3A (0018 <sub>H</sub> )	7 6 5 4 3 2 1 0		Read/Write
TREG3B (0019 <sub>H</sub> )	7 6 5 4 3 2 1 0		Read only
TC3CR (001A <sub>H</sub> )	7 6 5 4 3 2 1 0	"0" SCAP "0" TC3S TC3CK "0" TC3M	(Initial value : *0*0 00*0)
TC3M	Timer/counter 3 operation mode set	0 : Timer/event counter 1 : Capture	Write only
TC3CK	Timer/counter 3 source clock select	00 : Internal clock $f_c / 2^{12}$ or $f_s / 2^4$ [Hz] 01 : Internal clock $f_c / 2^{10}$ or $f_s / 2^2$ 10 : Internal clock $f_c / 2^7$ 11 : External clock (TC3 pin input)	
TC3S	Timer/counter 3 start select	0 : Stop & clear 1 : Start	
SCAP	Software capture control	0 : - 1 : Software capture	

Note 1 :  $f_c$  ; High-frequency clock [Hz]  $f_s$  ; Low-frequency clock [Hz] \* ; don't care  
 Note 2 : Set the mode, the source clock and the edge selection (INT3ES) when the TC3 stops (TC3S = 0).  
 Note 3 : Values to be loaded into timer register 3A must satisfy the following condition.  
 $TREG3A > 0$  (in the timer/event counter mode)  
 Note 4 : TC3CR is a write-only register and must not be used with any of read-modify-write instructions.

Figure 2-31. Timer Register 3A/3B and TC3 Control Register

The timer/counter 3 is controlled by a timer/counter 3 control register (TC3CR) and two 8-bit timer registers (TREG3A and TREG3B). Reset does not affect these timer registers.

### 2.7.3 Function

The timer/counter 3 has three operating modes : timer, event counter, and capture mode.

#### (1) Timer Mode

In this mode, the internal clock is used for counting up. The contents of TREG3A are compared with the contents of up-counter. If a match is found, a timer/counter 3 interrupt (INTTC3) is generated, and the up-counter is cleared. Counting up resumes after the up-counter is cleared. The current contents of up-counter are loaded into TREG3B by setting SCAP (bit 6 in TC3CR) to "1". SCAP is automatically cleared after capturing.

Table 2-5. Source Clock (Internal Clock) for Timer Counter 3

Source clock		SLOW, SLEEP mode	Resolution		Maximum setting time	
NORMAL1/2, IDLE1/2 mode			fc = 8 MHz	fs = 32.768 kHz	fc = 8 MHz	fs = 32.768 kHz
DV7CK = 0	DV7CK = 1					
$fc / 2^{12}$ [Hz]	$fs / 2^4$ [Hz]	$fs / 2^4$ [Hz]	512 $\mu$ s	488.28 $\mu$ s	131.1 ms	124.5 ms
$fc / 2^{10}$	$fs / 2^2$	–	128 $\mu$ s	122.07 $\mu$ s	32.6 ms	31.1 ms
$fc / 2^7$	–	–	16 $\mu$ s	–	4.1 ms	–

#### (2) Event Counter Mode

In this mode, the TC3 pin input pulses are used for counting up. Either the rising or falling edge can be selected with INT3ES (bit 3 in EINTCR). The contents of TREG3A are compared with the contents of the up-counter. If a match is found, an INTTC3 interrupt is generated and the counter is cleared. The maximum applied frequency is  $fc/2^4$  [Hz] in the NORMAL1/2 or IDLE1/2 mode, and  $fs/2^4$  [Hz] in SLOW or SLEEP mode. Two or more machine cycles are required for both the "H" and "L" levels of the pulse width.

The current contents of up-counter are loaded into TREG3B by setting SCAP (bit 6 in TC3CR) to "1". SCAP is automatically cleared after capturing.

Example : Generates an interrupt every 0.5 s, inputting 50Hz pulses to the TC3 pin.

```
LD (TC3CR), 00001100 ; Sets TC3 mode, source clock
LD (TREG3A), 19H ; 0.5 s ÷ 1/50 = 25 = 19H
LD (TC3CR), 00011100B ; Start TC3
```

#### (3) Capture Mode

The pulse width, period and duty of the TC3 pin input are measured in this mode, which can be used in decoding the remote control signals, etc. The counter is free running by the internal clock. On the rising (falling) edge of the TC3 pin input, the current contents of counter is loaded into TREG3A, then the up-counter is cleared and an INTTC3 interrupt is generated. On the falling (rising) edge of the TC3 pin input, the current contents of the counter is loaded into the TREG3B. In this case, counting continues. At the next rising (falling) edge of the TC3 pin input, the current contents of counter are loaded into TREG3A, then the counter is cleared again and an interrupt is generated. If the counter overflows before the edge is detected, FF<sub>H</sub> is set to the TREG3A and an overflow interrupt (INTTC3) is generated. During interrupt processing, it can be determined whether or not there is an overflow by checking whether or not the TREG3A value is FF<sub>H</sub>. Also, after an interrupt (capture to TREG3A, or overflow detection) is generated, capture and overflow detection are halted until TREG3A has been read out; however, the counter continues.

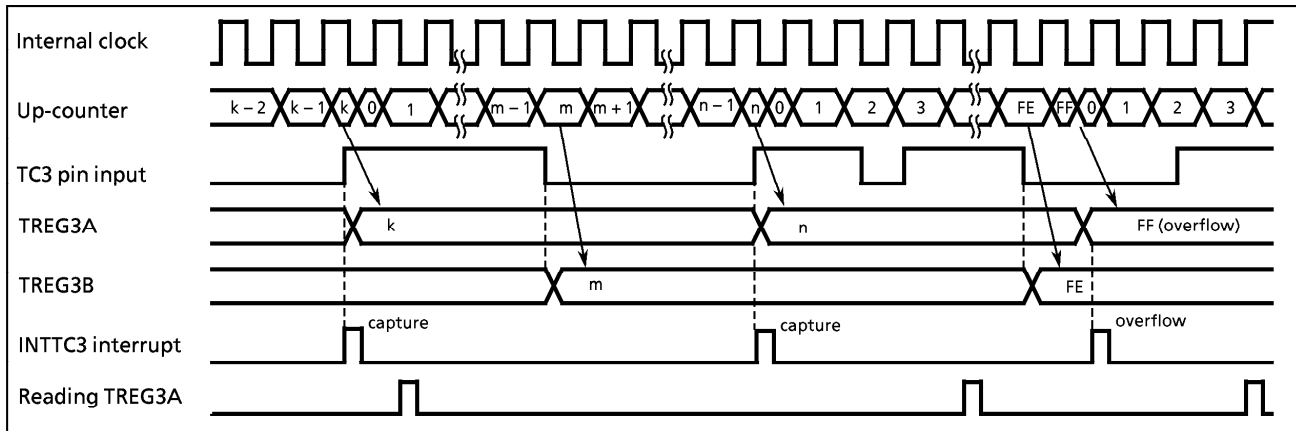


Figure 2-32. Timing Chart for Capture Mode (INT3ES = 0)

#### INT4/TC3 input pulse width measurement (for detecting remote control receive waveform)

To detect and measure the low or high level width of waveforms input from INT4 or TC3, set timer 3 to capture mode and INT4/TC3 input edge detect to both edges.

Figure 2-33. is a timing chart of when timer 3 is used in capture mode. Numbers ① to ⑱ in Figure 2-33. are described below:

- ① Set INT4/TC3 edge detect to both edges.  
In Figure 2-33. INT4ES = 1 (falling edge is selected) and INT4W = 1 (both-edge detect enable). Change INT4ES and INT4W bits at #0024<sub>H</sub> only when IMF = 0. After changing EINTCR, interrupt latches of external interrupts must be cleared to "0" using load instruction.
- ② Wake up timer 3 and enable timer 3 soft capture. Then the timer 3 counter starts free running. Also, enable timer 3 interrupts (EF<sub>8</sub> = 1).
- ③~⑤ At the selected (falling) edge of the INT4/TC3 input pin, the current counter value (K) is fetched to TREG3A and the counter is zero-cleared. At the same time, a timer 3 interrupt is generated.
- ⑥ The interrupt processing routine for the timer 3 interrupt sets EF<sub>12</sub> in the interrupt enable register (EIR) to 1 and clears EF<sub>8</sub> to 0 so that INT4 can be detected at the non-selected (rising) edge of INT4/TC3 input.
- ⑦ TREG3B and TREG3A are read next, because after a timer 3 interrupt by capture to TREG3A is generated, capture/overflow detect is halted until the next TREG3A read. Reading TREG3A by the interrupt processing routine resumes capture/overflow detect.
- ⑧~⑩ Timer count continues. The counter value (m) is fetched to TREG3B at the next non-selected (rising) edge.  
At this time, INT4 is generated.
- ⑪ Simultaneously, bit 6 in INT4EDT (#0024) is set to 1.
- ⑫ The interrupt processing routine for INT4 enables timer 3 interrupts and disables INT4 interrupts to detect the next edge (selected edge at ⑮).
- ⑬~⑭ Same as ⑦, resumes next capture/overflow detect. TREG3B value (m) read at ⑭ is necessary to determine T<sub>WL</sub> in Figure 2-33.  
At ⑬ #0024<sub>H</sub> is read: bit 6 (INT4EDT) and bit 2 (INT4EDT) are set to 1. After read, bits 6 and 2 are both cleared.
- ⑮~⑯ Timer 3 count continues. The counter value (n) is fetched to TREG3A at the next selected (rising) edge. The counter is zero-cleared.  
At the same time, INT4 is generated.
- ⑰ Interrupt processing for INT4 resumes at the next capture/overflow detect as at ⑦. T<sub>WH</sub> is determined by TREG3A value (n) and TREG3B value (m) read at ⑭.

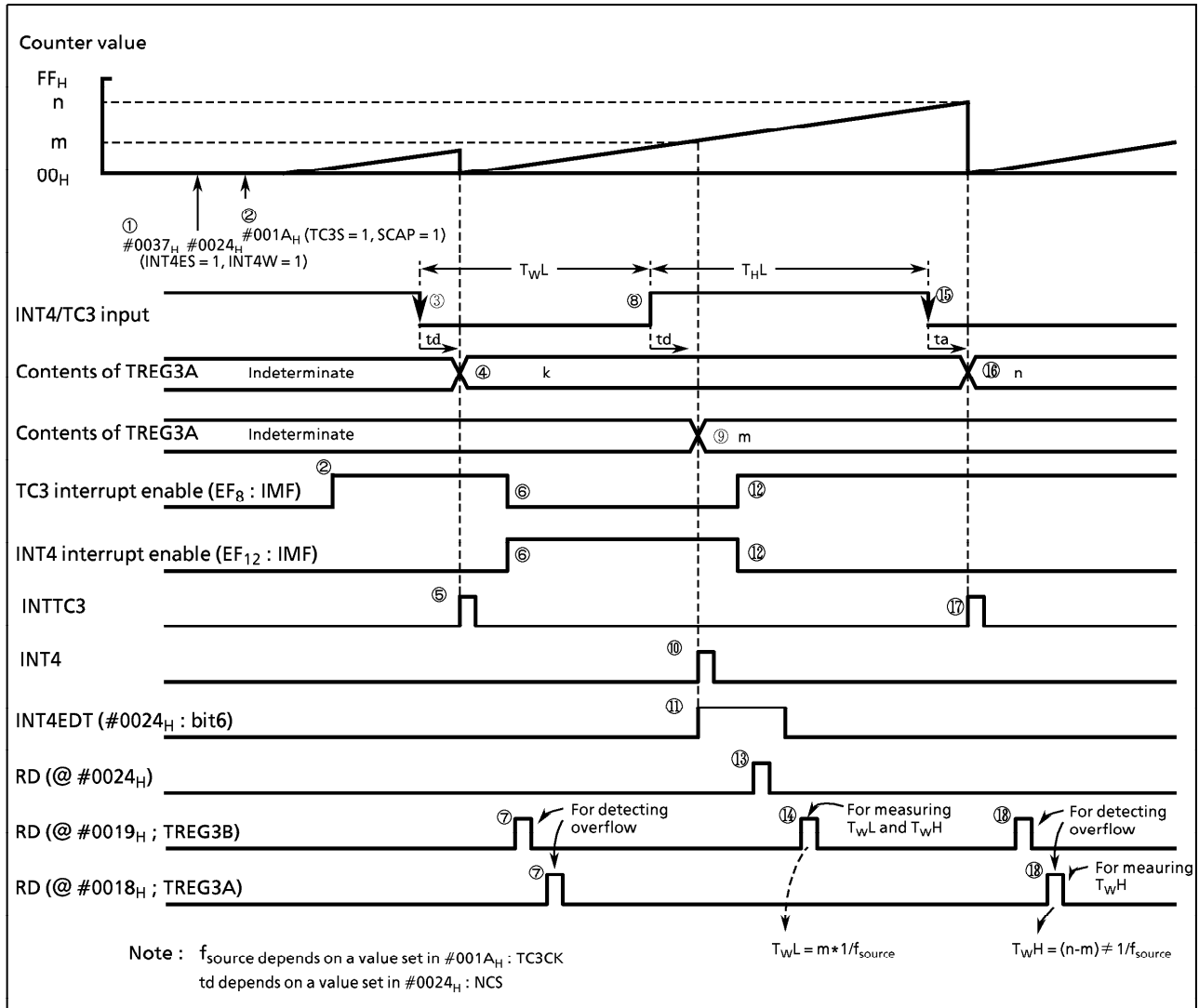


Figure 2-33. Example of remote control waveform by timer 3 (in capture mode)



2.8 8-bit Timer/Counter (TC4)

2.8.1 Configuration

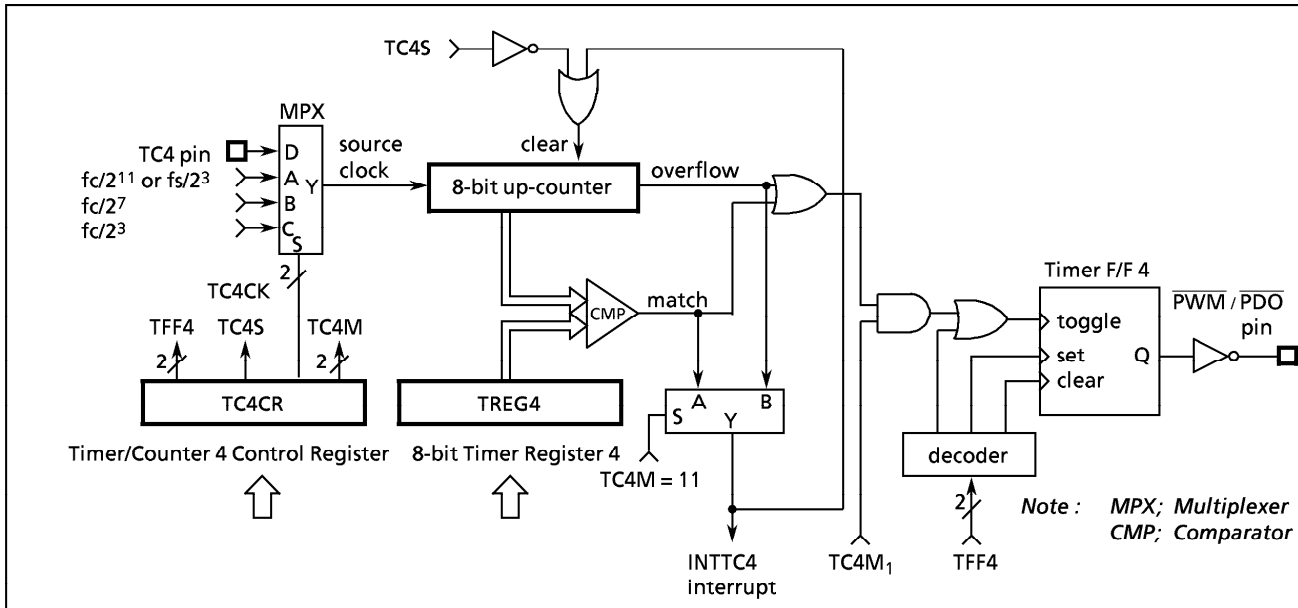


Figure 2-34. Timer/Counter 4

### 2.8.2 Control

The timer/counter 4 is controlled by a timer/counter 4 control register (TC4CR) and an 8-bit timer register 4 (TREG4). Reset does not affect TREG4.

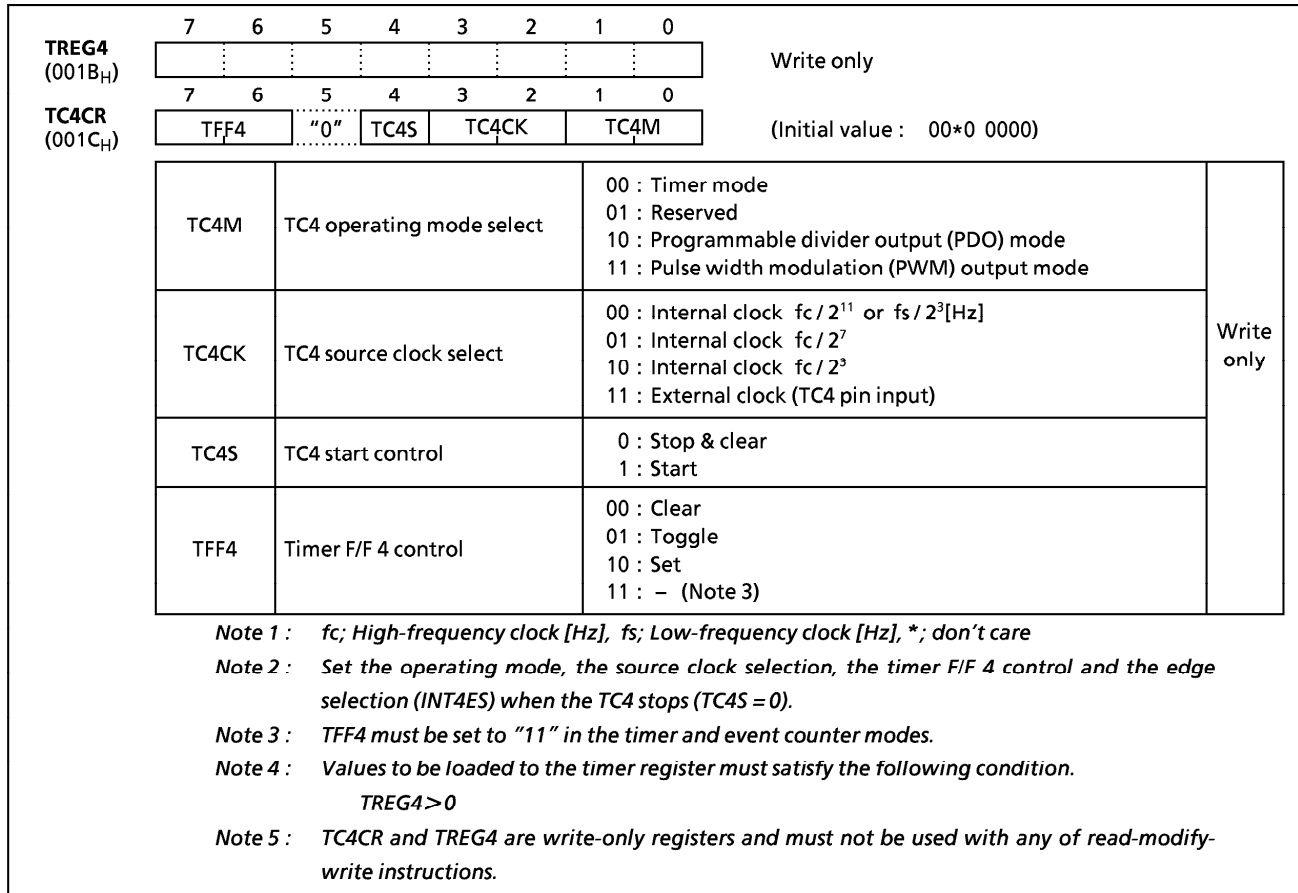


Figure 2-35. Timer Register 4 and TC4 Control Register

### 2.8.3 Function

The timer/counter 4 has four operating modes : timer, event counter, programmable divider output, and PWM output mode.

(1) **Timer Mode**

In this mode, the internal clock is used for counting up. The contents of TREG4 are compared with the contents of up-counter. If a match is found, a timer/counter 4 interrupt (INTTC4) is generated and the up-counter is cleared to "0". Counting up resumes after the up-counter is cleared.

Table 2-6. Source Clock (Internal Clock) for Timer/Counter 4

Source clock			Resolution		Maximum setting time	
NORMAL1 / 2, IDLE1 / 2 mode		SLOW, SLEEP mode	$f_c = 8 \text{ MHz}$	$f_s = 32.768 \text{ kHz}$	$f_c = 8 \text{ MHz}$	$f_s = 32.768 \text{ kHz}$
DV7CK = 0	DV7CK = 1					
$f_c / 2^{11}$ [Hz]	$f_s / 2^3$ [Hz]	$f_s / 2^3$ [Hz]	256 $\mu\text{s}$	244.14 $\mu\text{s}$	65.3 ms	62.2 ms
$f_c / 2^7$	-	-	16 $\mu\text{s}$	-	4.1 ms	-
$f_c / 2^3$	-	-	1 $\mu\text{s}$	-	255 $\mu\text{s}$	-

### (2) Programmable Divider Output (PDO) Mode

The internal clock is used for counting up. The contents of TREG4 are compared with the contents of the up-counter. Timer F/F 4 output is toggled and the counter is cleared each time a match is found. Timer F/F 4 output is inverted and output to the  $\overline{\text{PDO}}$  (P44) pin. This mode can be used for 50 % duty pulse output. Timer F/F 4 can be initialized by program, and it is initialized to "0" during reset. An INTTC4 interrupt is generated each time the  $\overline{\text{PDO}}$  output is toggled.

Example : Output a 1024 Hz pulse (at  $f_c = 4.194304$  MHz)

```
SET      (P1). 4           ; P14 output latch ← 1
LD       (P1CR), 00010000BH ; Sets P14 (output mode)
LD       (TREG4), 10H      ;  $1/2048 \div 2^7/f_c = 10_H$ 
LD       (TC4CR), 00010010B ; Starts TC4
```

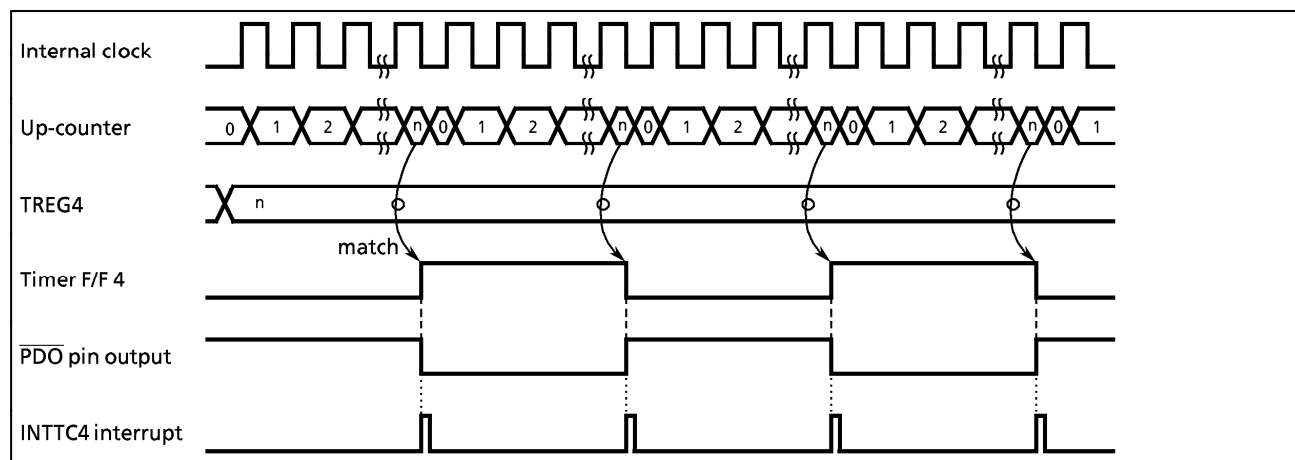


Figure 2-36. Timing Chart for PDO Mode

### (3) Pulse Width Modulation (PWM) Output Mode

PWM output with a resolution of 8 bits is possible. The internal clock is used for counting up. The contents of TREG4 are compared with the contents of up-counter. If a match is found, the timer F/F 4 output is toggled. The counter continues counting. And, when an overflow occurs, the timer is again toggled and the counter is cleared. Timer F/F 4 output is inverted and output to the  $\overline{\text{PWM}}$  (P44) pin. An INTTC4 interrupt is generated when an overflow occurs.

TREG4 is configured a 2-stage shift register and, during output, will not switch until one output cycle is completed even if TREG4 is overwritten; therefore, output can be altered continuously. Also, the first time, TREG4 is shifted by setting TC4S (bit 4 in TC4CR) to "1" after data are loaded to TREG4.

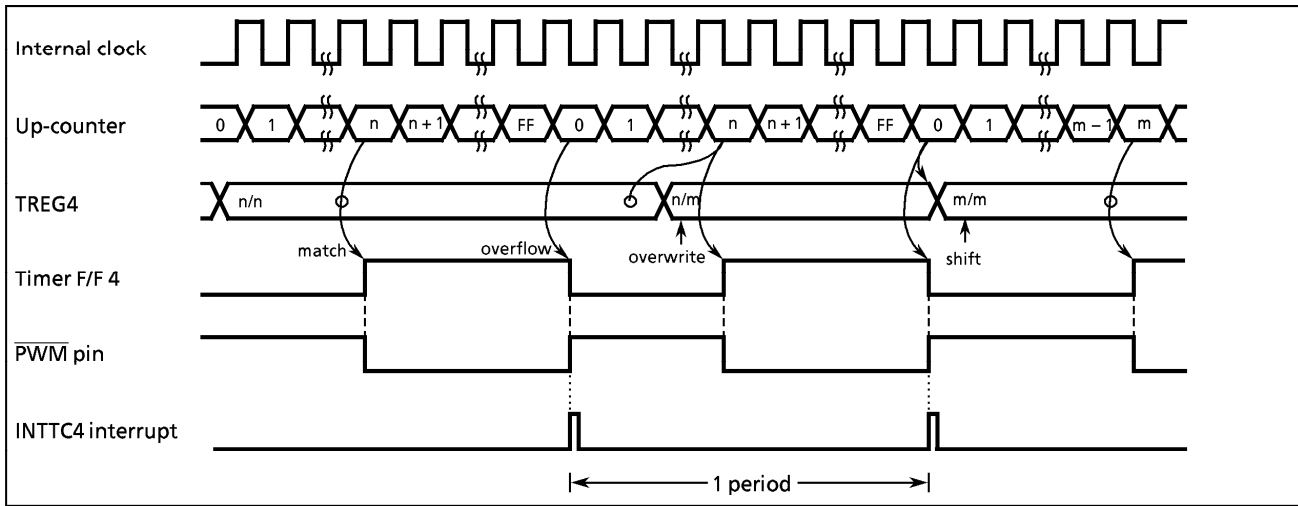


Figure 2-37. Timing Chart for PWM Mode

Table 2-7. PWM Output Mode

Source clock		Resolution	Maximum setting time			
NORMAL1/2, IDLE1/2 mode	SLOW, SLEEP mode		fc = 8 MHz	fs = 32.768 kHz		
DV7CK = 0		DV7CK = 1	fc = 8 MHz	fs = 32.768 kHz		
$fc / 2^{11}$ [Hz]	$fs / 2^3$ [Hz]	$fs / 2^3$ [Hz]	256 $\mu s$	244.14 $\mu s$	65.5 ms	62.5 ms
$fc / 2^7$	$fc / 2^7$	-	16 $\mu s$		4.1 ms	
$fc / 2^3$	$fc / 2^3$	-	1 $\mu s$		256 $\mu s$	

## 2.9 Serial Bus Interface (SBI)

The 87C874/H74 each have a 1-channel serial bus interface which employs a clocked-synchronous 8-bit serial bus interface and an I<sup>2</sup>C bus (a bus system by Philips).

The serial interface is connected to an external device through P31 (SDA) and P30 (SCL) in the I<sup>2</sup>C bus mode; and through P32 ( $\overline{\text{SCK0}}$ ), P31 (SO0) and P30 (SI0) in the clocked-synchronous 8-bit SIO mode.

The serial bus interface pins are also used for the P3 port. When used for serial bus interface pins, set the P3 output latches of these pins to "1". When not used for serial bus interface pins, the pin is used as a normal I/O port.

### 2.9.1 Configuration

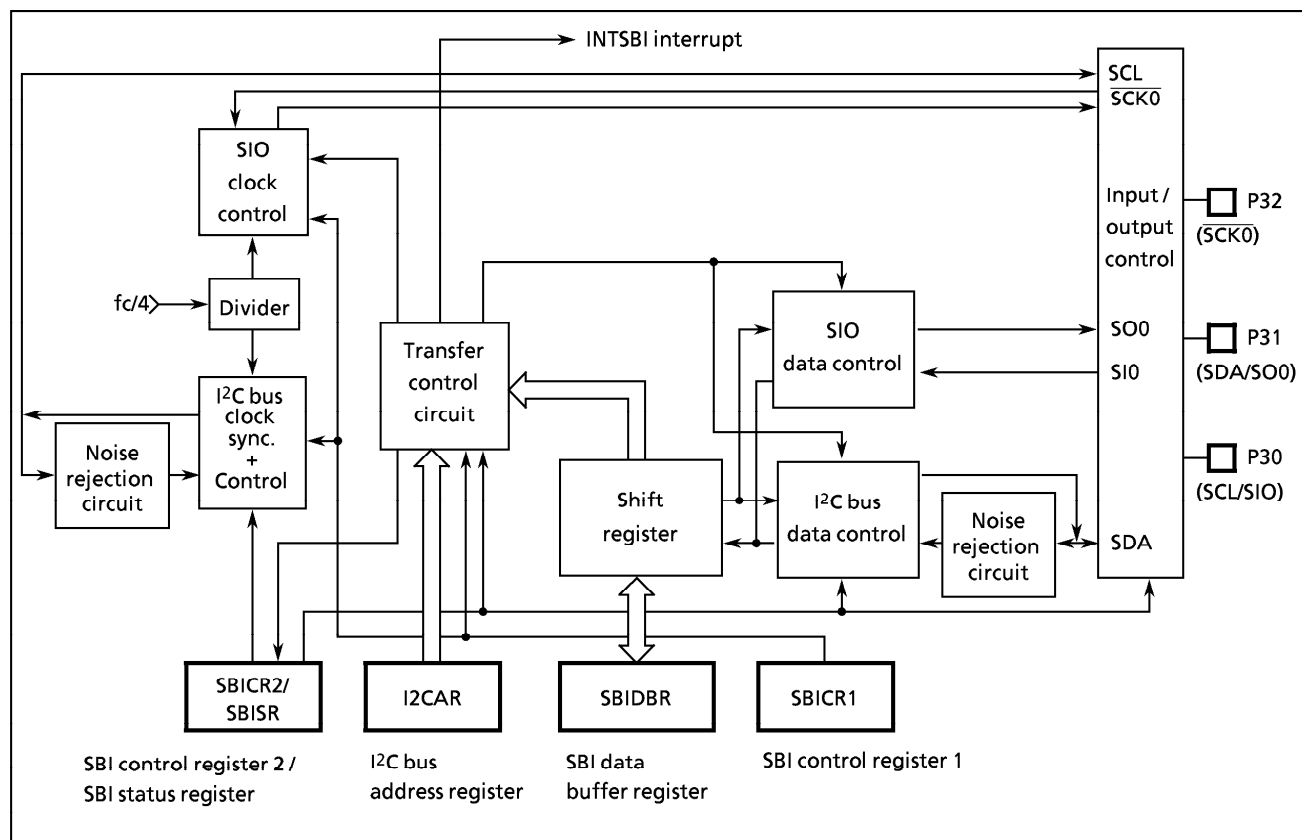


Figure 2-38. Serial Bus Interface (SBI)

### 2.9.2 Control

The following registers are used for control and operation status monitoring when using the serial bus interface (SBI).

- Serial bus interface control register 1 (SBICR1)
- Serial bus interface control register 2 (SBICR2)
- Serial bus interface data buffer register (SBIDBR)
- I<sup>2</sup>C bus address register (I2CAR)
- Serial bus interface status register (SBISR)

The above registers differ depending on an mode to be used. Refer to Section "2.9.4 I<sup>2</sup>C bus mode control" and "2.9.6 Clocked-synchronous 8-bit SIO mode control".

### 2.9.3 The Data Format in The I<sup>2</sup>C Bus Mode

The data format when using the 87C874/H74 in the I<sup>2</sup>C bus mode are shown in figure 2-39.

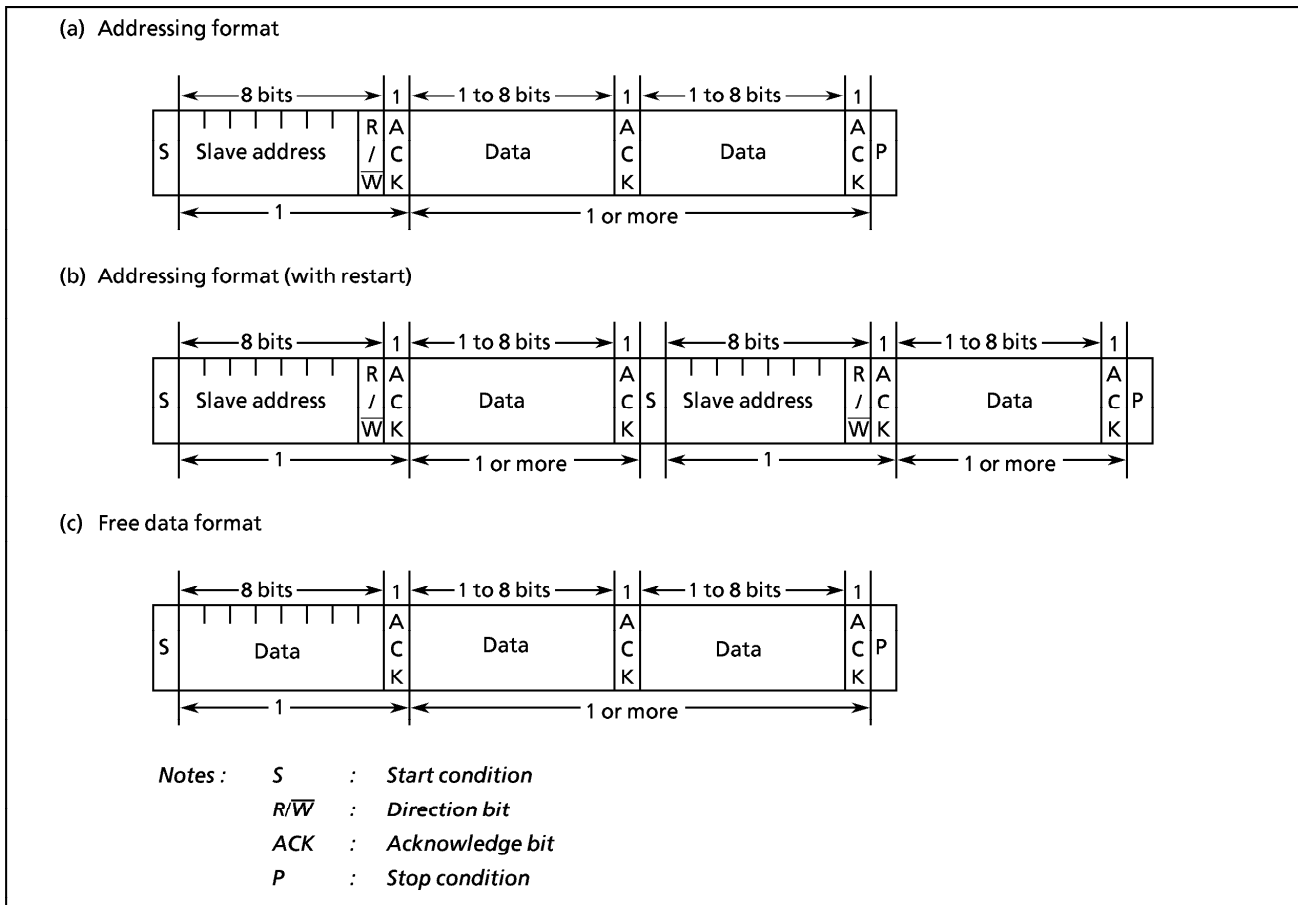


Figure 2-39. Data Format in I<sup>2</sup>C Bus Mode

### 2.9.4 I<sup>2</sup>C Bus Mode Control

The following registers are used for control and operation status monitoring when using the serial bus interface (SBI) in the I<sup>2</sup>C bus mode.

Serial Bus Interface Control Register 1								
SBICR1 (0020 <sub>H</sub> )								
7	6	5	4	3	2	1	0	
BC		ACK		"0"		SCK		
(Initial value : 0000 0000)								
BC	Number of transferred bits	BC	ACK = 0		ACK = 1		Write only	
			Number of Clock	Bits	Number of Clock	Bits		
			000	8	8	9		8
			001	1	1	2		1
			010	2	2	3		2
			011	3	3	4		3
			100	4	4	5		4
			101	5	5	6		5
110	6	6	7	6				
111	7	7	8	7				
ACK	Acknowledge mode specification		0 : Acknowledge not returned to transmitter. 1 : Acknowledge returned to transmitter.				Read/Write	
SWRST	Initiate a internal of SBI		0 : – 1 : Initialized (Clearing "0" after initialized)				Read/Write	
SCK	Serial clock selection		000 : 181.8 kHz 001 : 105.3 kHz 010 : 57.1 kHz 011 : 29.9 kHz 100 : 15.3 kHz 101 : 7.72 kHz 110 : 3.88 kHz 111 : reserved				Write only	
} at $f_c = 8$ MHz (Output on SCL pin)								
Note 1 : $f_c$ ; High-frequency clock [Hz], * ; don't care Note 2 : Set the BC to "000" before switching to 8-bit SIO bus mode. Note 3 : SBICR1 is write-only registers, which cannot any of in read-modify-write instruction such as bit operate, etc.								
Serial Bus Interface Data Buffer Register								
SBIDBR (0021 <sub>H</sub> )								
7	6	5	4	3	2	1	0	
Read / Write								
Note 1 : For writing transmitted data, start from the MSB (bit 7). Note 2 : Cannot read the data which was written into SBIDBR, since a write data buffer and a read data buffer are independent in SBIDBR. Therefore, cannot access it any of in read-modify-write instructions such as bit operate, etc.								
I <sup>2</sup> C bus Address Register								
I <sup>2</sup> CAR (0022 <sub>H</sub> )								
7	6	5	4	3	2	1	0	
Slave address							ALS	
SA6	SA5	SA4	SA3	SA2	SA1	SA0		
(Initial value : 0000 0000)								
SA	87C874/H74 slave address selection						Write only	
ALS	Address recognition mode specification							
0 : Slave address recognition							Write only	
1 : Non slave address recognition								
Note : I <sup>2</sup> CAR is write-only register, which cannot access any of in read-modify-write instruction such as bit operate, etc.								

Figure 2-40. Serial Bus Interface Control Register 1, Serial Bus Interface Data Buffer Register and I<sup>2</sup>C Bus Address Register In The I<sup>2</sup>C Bus Mode

Serial Bus Interface Control Register 2

SBICR2 (0023 <sub>H</sub> )	7	6	5	4	3	2	1	0	(Initial value : 0001 00**)
	MST	TRX	BB	PIN	SBIM	"0"	"0"		

MST	Master / slave selection (Write), Status monitor (Read)	0 : Slave 1 : Master	Read/ Write
TRX	Transmitter / receiver selection (Write), Status monitor (Read)	0 : Receiver 1 : Transmitter	
BB	Start / stop generation (Write), I <sup>2</sup> C bus status monitor (Read)	0 : Stop condition (Write) , Bus free (Read) 1 : Start condition (Write) , Bus busy (Read)	
PIN	Cancel interrupt service request(Write), Status monitor (Read)	0 : - (Write), Interrupt service requested (Read) 1 : Cancel interrupt service request (Write) , canceled (Read)	
SBIM	Serial bus interface operating mode selection	00 : Port mode (serial bus interface output disable) 01 : SIO mode 10 : I <sup>2</sup> C bus mode 11 : Reserved	Write only

Note 1 : \* ; don't care  
 Note 2 : Switch a mode to port after confirming that the bus is free.  
 Note 3 : Switch a mode to I<sup>2</sup>Cbus mode after confirming that input signals via port are high level.  
 Note 4 : SBICR2 has write-only register bits, which can not access any of in read-modify-write instructions such as bit operate, etc.

SBISR (0023 <sub>H</sub> )	7	6	5	4	3	2	1	0
	MST	TRX	BB	PIN	AL	AAS	AD0	LRB

AL	Arbitration loss detection monitor	0 : - 1 : Arbitration loss detected	Read only
AAS	Slave address match detection monitor	0 : - 1 : Slave address match or "GENERAL CALL" detected	
AD0	"GENERAL CALL" detection monitor	0 : - 1 : "GENERAL CALL" detected	
LRB	Last received bit monitor	0 : Last received bit "0" 1 : Last received bit "1"	

Figure 2-41. Serial Bus Interface Control Register 2 and Serial Bus Interface Status Register In The I<sup>2</sup>C Bus Mode



(1) Acknowledge mode specification

Set the ACK (bit 4 in SBICR1) to "1" for operation in the acknowledge mode. The 87C874/H74 generate an additional clock pulse for an acknowledge signal when operating in the master mode. In the transmitter mode during the clock pulse cycle, the SDA pin is released in order to receive the acknowledge signal from the receiver. In the receiver mode during the clock pulse cycle, the SDA pin is set to the low level in order to generate the acknowledge signal.

Reset the ACK for operation in the non-acknowledge mode. The 87C874/H74 do not generate a clock pulse for the acknowledge signal when operating in the master mode.

(2) Number of transfer bits

The BC (bits 7 to 5 in SBICR1) is used to select a number of bits for transmitting and receiving data. Since the BC is cleared to "000" as a start condition, a slave address and direction bit transmissions are always executed in 8 bits. Other than these, the BC retains a specified value.

(3) Serial clock

a. Clock source

The SCK (bits 2 to 0 in SBICR1) is used to select a maximum transfer frequency output from the SCL pin in the master mode.

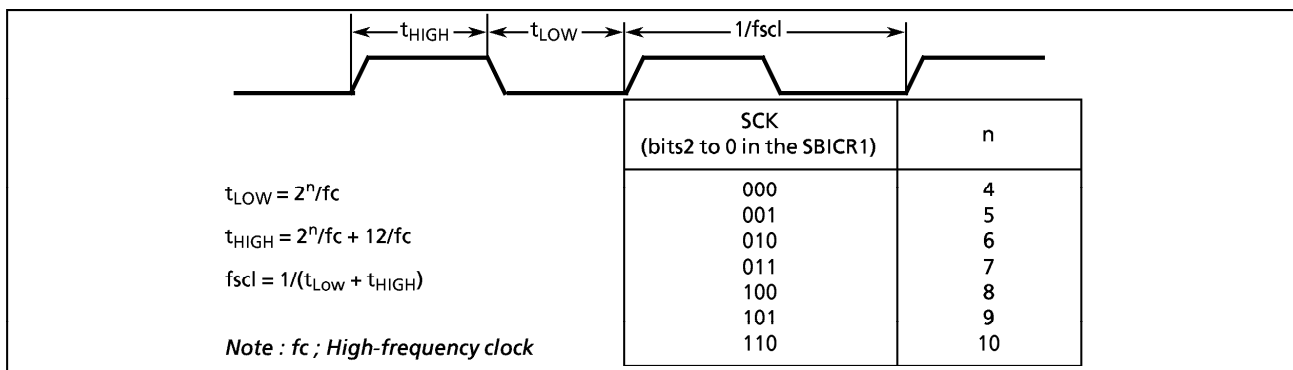


Figure 2-42. Clock Source

b. Clock synchronization

In the I2C bus mode, in order to drive a bus with a wired AND, a master device which pulls down a clock pulse to low will, in the first place, invalidate a clock pulse of another master device which generates a high-level clock pulse. The master device with a high-level clock pulse needs to detect the situation and implement the following procedure.

The 87C874/H74 have a clock synchronization function for normal data transfer even when more than one master exists on a bus.

The example explains clock synchronization procedures when two masters simultaneously exist on a bus.

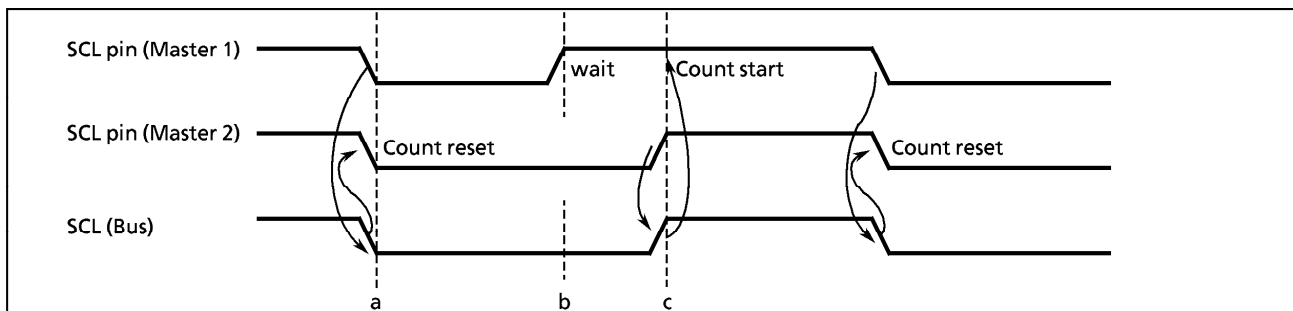


Figure 2-43. Clock Synchronization

As Master 1 pulls down the SCL pin to the low level at point "a", the SCL line of the bus becomes the low level. After detecting this situation, Master 2 resets counting a clock pulse in the high level and sets the SCL pin to the low level.

Master 1 finishes counting a clock pulse in the low level at point "b" and sets the SCL pin to the high level. Since Master 2 holds the SCL line of the bus at the low level, Master 1 waits for counting a clock pulse in the high level. After Master 2 sets a clock pulse to the high level at point "c" and detects the SCL line of the bus at the high level, Master 1 starts counting a clock pulse in the high level.

The clock pulse on the bus is determined by the master device with the shortest high-level period and the master device with the longest low-level period from among those master devices connected to the bus.

(4) Slave address and address recognition mode specification

When the 87C874/H74 are used as a slave device, set the slave address and ALS to the I2CAR. Set "0" to the ALS for the address recognition mode.

(5) Master / slave selection

Set the MST (bit 7 in SBICR2) to "1" for operating the 87C874/H74 as a master device.

Reset the MST for operation as a slave device. The MST is cleared to "0" by the hardware after a stop condition on the bus is detected or arbitration is lost.

(6) Transmitter / receiver selection

Set the TRX (bit 6 in SBICR2) to "1" for operating the 87C874/H74 as a transmitter. Reset the TRX for operation as a receiver. When data with an addressing format is transferred in the slave mode, when a slave address with the same value that an I2CAR or a GENERAL CALL is received the TRX is set to "1" if the direction bit ( $R/\bar{W}$ ) sent from the master device is "1", and is cleared to "0" if the bit is "0". In the master mode, after an acknowledge signal is returned from the slave device with the hardware, the TRX is set to "0" if a transmitted direction bit is "1", and set to "1" if it is "0". When an acknowledge signal is not returned, the current condition is maintained.

The TRX is cleared to "0" by the hardware after a stop condition on the bus is detected or arbitration is lost.

(7) Start / stop condition generation

A start condition and the slave address and the direction bit written to the data buffer register are output on the bus by writing "1" to the MST, TRX and BB when the BB (bit 5 in SBICR2) is "0". It is necessary to set "1" to ACK beforehand.

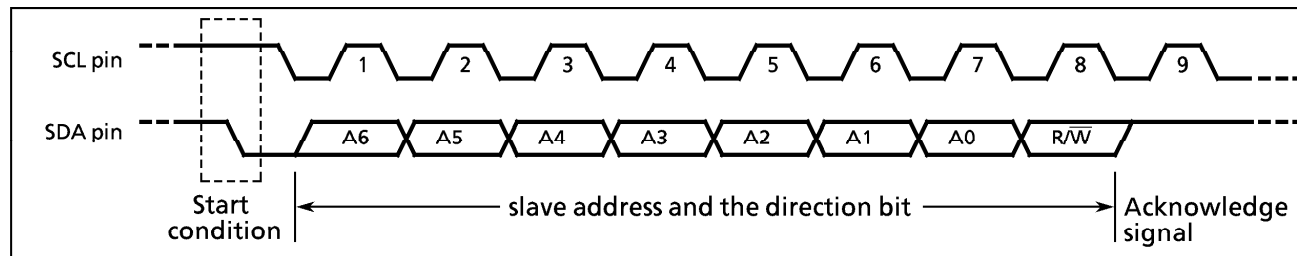


Figure 2-44. Start Condition Generation and Slave Address Generation

When the BB is "1", sequence of generating a stop condition is started by writing "1" to the MST, TRX, and PIN, and "0" to the BB. Do not modify the contents of MST, TRX, BB and PIN until a stop condition is generated on a bus.

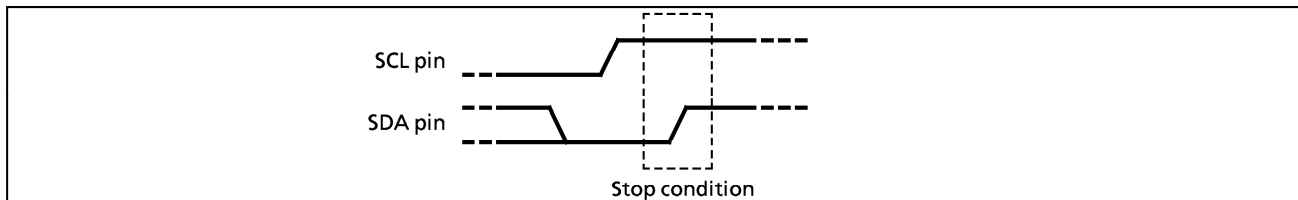


Figure 2-45. Stop Condition Generation

The bus condition can be indicated by reading the contents of the BB (bit 5 in SBISR). The BB is set to "1" when a start condition on a bus is detected and is cleared to "0" when a stop condition is detected.

(8) Interrupt service request cancel

When a serial bus interface interrupt request (INTSBI) occurs, the PIN (bit 4 in SBISR) is cleared to "0". During the timer that the PIN is "0", the SCL pin is pulled down to the low level.

The PIN is cleared to "0" when 1-word of data is transmitted or received. Either writing/reading data to/from the SBIDBR sets the PIN to "1".

The time from the PIN being set to "1" until the SCL pin is released takes  $t_{LOW}$ .

In the address recognition mode (ALS = 0), the PIN is cleared to "0" when the received slave address is the same as the value set at the I2CAR or when a GENERAL CALL is received (all 8-bit data are "0" after a start condition). Although the PIN(bit 4 in SBICR2) can be set to "1" by the program, the PIN is not set to "0" when "0" is written.

(9) Serial bus interface operating mode

The SBIM (bits 3, 2 in SBICR2) is used to specify the serial bus interface operation mode. Set the SBIM to "10" when used in the I2C bus mode.

Switch a mode to port after making sure that a bus is free.

(10) Arbitration lost detection monitor

Attached "ADDITIONAL INFORMATION" showed in SECTION 8 describe more detail and some notice for usage of I2C Bus.

Please read carefully it if you are going to use I2C Bus function in your application system.

Since more than one master device can exist simultaneously on a bus in the I2C bus mode, a bus arbitration procedure is implemented in order to guarantee the contents of transferred data.

Data on the SDA line is used for bus arbitration of the I2C bus.

The following shows an example of a bus arbitration procedure when two master devices exist simultaneously on the bus. Master 1 and Master 2 output the same data until point "a". After Master 1 outputs "1" and Master 2, "0", the SDA line of the bus is wired AND and the SDA line is pulled down to the low level by Master 2. When the SCL line of the bus is pulled up at point "b", the slave device reads data on the SDA line, that is, data in Master 2. Data transmitted from Master 1 becomes invalid. The state in Master 1 is called "arbitration lost". A master device which loses arbitration releases the SDA pin in order not to effect data transmitted from other masters with arbitration. When more than one master sends the same data at the first word, arbitration occurs continuously after the second word.

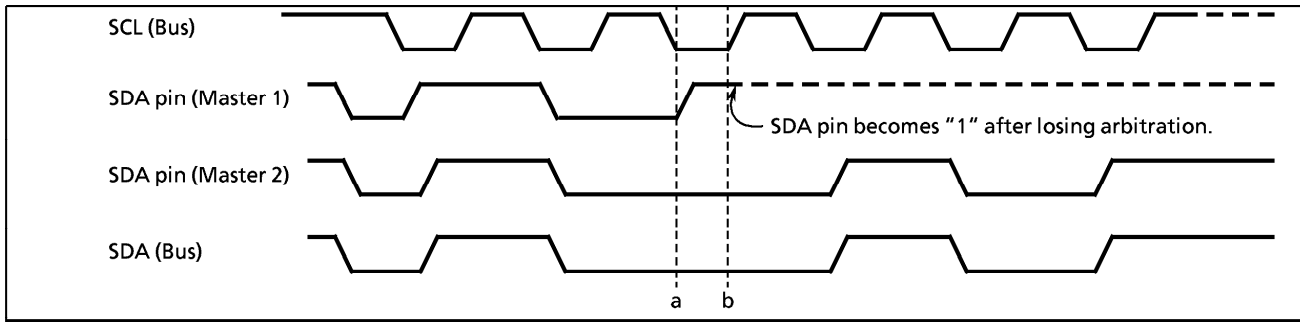


Figure 2-46. Arbitration Lost

The 87C874/H74 compare levels of the SDA line of the bus with those of the 87C874/H74 SDA pin at the rising edge of the SCL line. If the levels are unmatched, arbitration is lost and the AL (bit 3 in SBISR) is set to "1".

When the AL is set to "1", the MST and TRX are reset to "0" and the mode is switched to a slave receiver mode. The 87C874/H74 generate the clock pulse until data, when the AL is "1", is transmitted. The AL is reset to "0" by writing/reading data to / from the SBIDBR or writing data to the SBICR2.

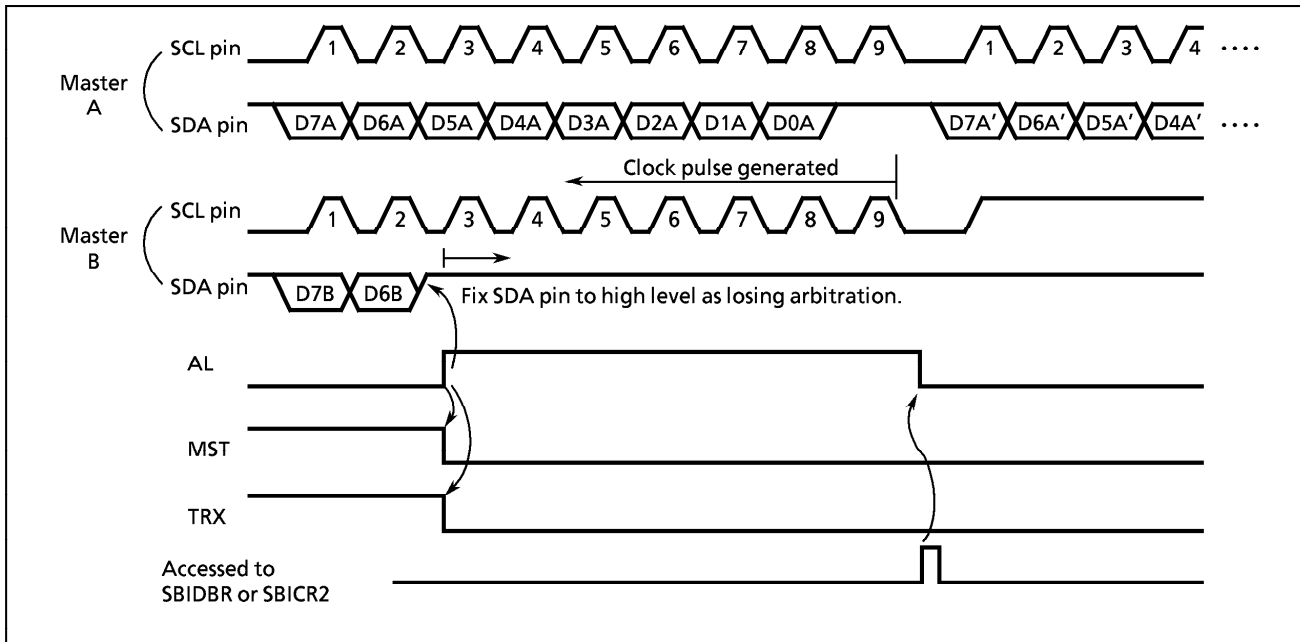


Figure 2-47. Example of when 87C874/H74 are a Master B

(11) Slave address match detection monitor

The AAS (bit 2 in SBISR) is set to "1" in the slave mode, in the address recognition mode (ALS = 0), or when receiving a slave address with the same value that sets a GENERAL CALL or I2CAR. When the ALS is "1", the AAS is set to "1" after receiving the first 1-word of data. The AAS is cleared to "0" by after writing / reading data to / from a data buffer register.

(12) GENERAL CALL detection monitor

The AD0 (bit 1 in SBISR) is set to "1" in the slave mode, when all 8-bit data received immediately after a start condition are "0". The AD0 is cleared to "0" when a start or stop condition is detected on the bus.

(13) Last received bit monitor

The SDA value stored at the rising edge of the SCL line is set to the LRB (bit 0 in SBISR). When the contents of the LRB are read immediately after an INTSBI interrupt request is generated in the acknowledge mode, and ACK signal is read.

## 2.9.5 Data Transfer in I<sup>2</sup>C bus Mode

### (1) Device Initialization

Set the ACK, CHS, and SCK in the SBICR1. Specify "0" to bits 7 to 5, 3.

Set a slave address and the ALS (ALS = 0 when an addressing format) to the I2CAR.

After confirming that input signals via port are high level, for specifying the default setting to a slave receiver mode, clear "0" to the MST, TRX, and BB in the SBICR2; "1" to the PIN; "10" to the SBIM; and "0" to bits 0 and 1.

### (2) Start Condition and Slave Address Generation

Confirm a bus free status (when BB = 0).

Set the ACK to "1" and specify a slave address and a direction bit to be transmitted to the SBIDBR.

When the BB is "0", the start condition are generated and the slave address and the direction bit which are set to the SBIDBR are output on a bus by writing "1" to the MST, TRX, BB, and PIN. A slave device receives these data and pulls down the SDA line of the bus to the low level at the acknowledge signal timing. An INTSBI interrupt request occurs at the 9th falling edge of the SCL clock cycle, and the PIN is cleared to "0". The SCL pin is pulled down to the low level while the PIN is "0". When an interrupt request occurs, the TRX changes by the hardware according to the direction bit only when an acknowledge signal is returned from the slave device.

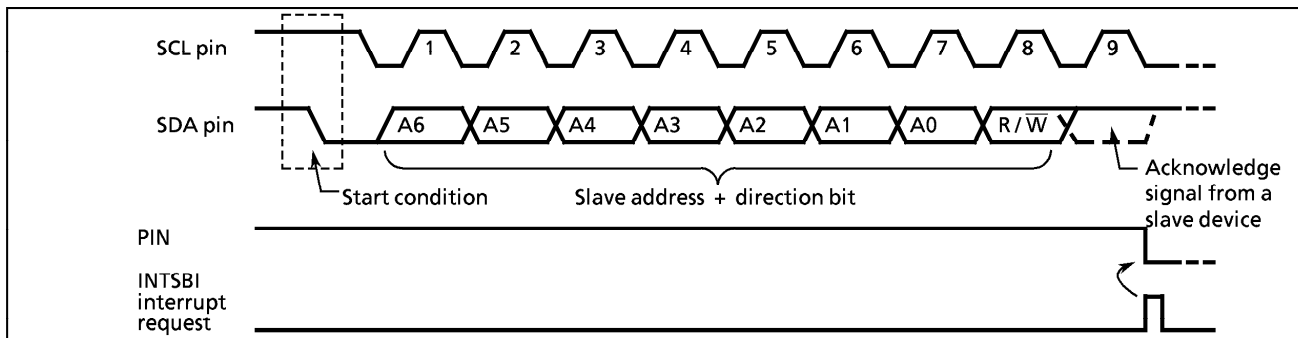


Figure 2-48. Start Condition Generation and Slave Address Transfer

### (3) 1-word Data Transfer

Check the MST by the INTSBI interrupt process after a 1-word data transfer is completed, and determine whether the mode is a master or slave.

#### a. When the MST is "1" (Master mode)

Check the TRX and determine whether the mode is a transmitter or receiver.

#### ① When the TRX is "1" (Transmitter mode)

Check the LRB. When the LRB is "1", a receiver does not request data. Implement the process to generate a stop condition and terminate data transfer.

When the LRB is "0", the receiver requests new data. When the next transmitted data is other than 8 bits, set the BC and write the transmitted data to the SBIDBR. After writing the data, the PIN becomes "1", a serial clock pulse is generated for transferring a new 1-word of data from the SCL pin, and then the 1-word data is transmitted. After the data is transmitted, an INTSBI interrupt request occurs. The PIN becomes "0" and the SCL pin is pulled down to the low level. If the data to be transferred is more than one word in length, repeat the procedure from the LRB checking above.

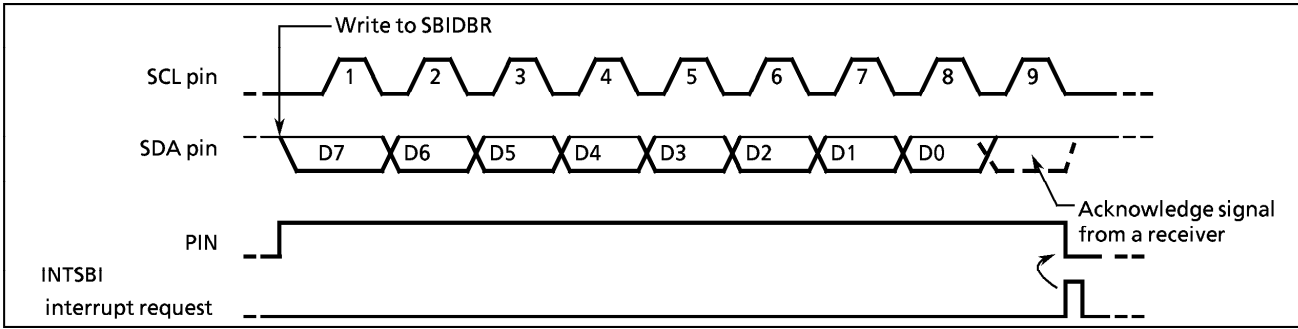


Figure 2-49. Example when BC = "000", ACK = "1"

② When the TRX is "0" (Receiver mode)

When the next transmitted data is other than 8 bits, set the BC again. Set the ACK to "1" and read the received data from the SBIDBR (data which is read immediately after a slave address is sent is undefined). After the data is read, the PIN becomes "1". The 87C874/H74 outputs a serial clock pulse to the SCL to transfer new 1-word of data and sets the SDA pin to "0" at the acknowledge signal timing.

An INTSBI interrupt request occurs and the PIN becomes "0". Then the 87C874/H74 pulls down the SCL pin to the low level. The 87C874/H74 output a clock pulse for 1-word of data transfer and the acknowledge signal each time that received data is read from the SBIDBR.

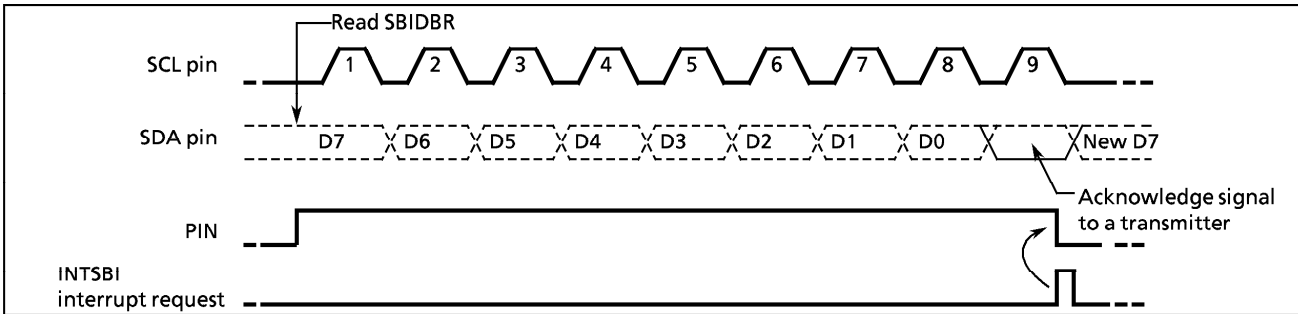


Figure 2-50. Example when BC = "000", ACK = "1"

In order to terminate transmitting data to a transmitter, clear the ACK to "0" before reading data which is 1 word before the last data to be received. The last data does not generate a clock pulse for the acknowledge signal. After the data is transmitted and an interrupt request has occurred, set the BC to "001" and read the data. The 87C874/H74 generates a clock pulse for a 1-bit data transfer. Since the master device is a receiver, the SDA line of the bus keeps the high level. The transmitter receives the high-level signal as an ACK signal. The receiver indicates to the transmitter that data transfer is complete.

After 1-bit data is received and an interrupt request has occurred, the 87C874/H74 generates a stop condition and terminates data transfer.

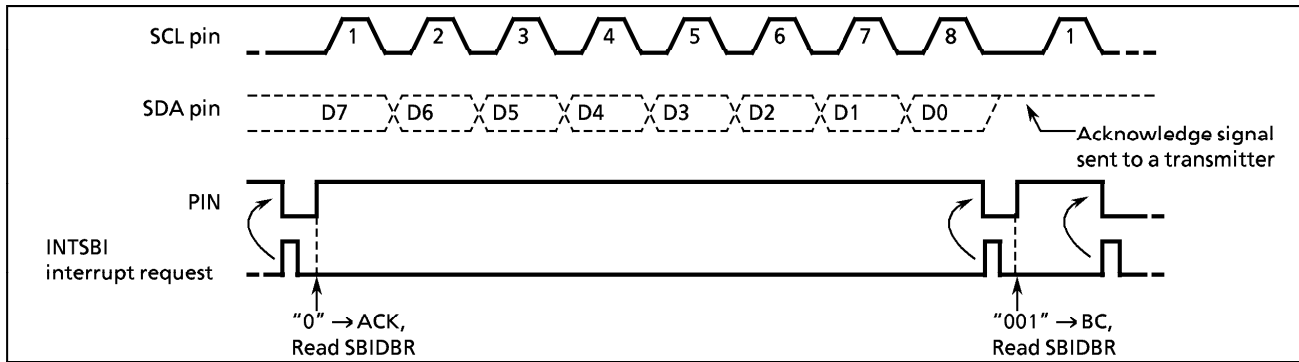


Figure 2-51. Termination of Data Transfer in Master Receiver Mode

**b. When the MST is "0" (Slave mode)**

In the slave mode, an INTSBI interrupt request occurs when the 87C874/H74 receive a slave address or a GENERAL CALL from the master device, or when a GENERAL CALL is received and data transfer is complete after matching a received slave address. In the master mode, the 87C874/H74 operate in a slave mode if it is losing arbitration. An INTSBI interrupt request occurs when word data transfer terminates after losing arbitration. When an INTSBI interrupt request occurs, the PIN (bit 4 in the SBICR2) is reset, and the SCL pin is pulled down to the low level. Either reading/writing from/to the SBIDBR or setting the PIN to "1" releases the SCL pin after taking  $t_{LOW}$  time.

In the slave mode, the 87C874/H74 operate either in normal slave mode or in slave mode after losing arbitration.

Check the AL (bit 3 in the SBISR), the TRX (bit 6 in the SBISR), the AAS (bit 2 in the SBISR), and the AD0 (bit 1 in the SBISR) and implements processes according to conditions listed in the next table.

Table 2-8. Operation in the Slave Mode

TRX	AL	AAS	AD0	Conditions	Process
1	1	1	0	The 87C874/H74 loses arbitration when transmitting a slave address and receives a slave address of which the value of the direction bit sent from another master is "1".	Set the number of bits in 1 word to the BC and write transmitted data to the SBIDBR.
				In the slave receiver mode, the 87C874/H74 receives a slave address of which the value of the direction bit sent from the master is "1".	
	0	1	0	In the slave transmitter mode, 1-word data is transmitted.	Check the LRB. If the LRB is set to "1", set the PIN to "1" since the receiver does not request next data. Then, clear the TRX to "0" release the bus. If the LRB is cleared to "0", set the number of bits in a word to the BC and write transmitted data to the SBIDBR since the receiver requests next data.
0	1	1	1/0	The 87C874/H74 loses arbitration when transmitting a slave address and receives a slave address or GENERAL CALL of which the value of the direction bit sent from another master is "0".	Read the SBIDBR for setting the PIN to "1" (reading dummy data) or write "1" to the PIN.
				The 87C874/H74 loses arbitration when transmitting a slave address or data and terminates transferring word data.	
	0	1	1/0	In the slave receiver mode, the 87C874/H74 receives a slave address or GENERAL CALL of which the value of the direction bit sent from the master is "0".	Set the number of bits in a word to the BC and read received data from the SBIDBR.
				In the slave receiver mode, the 87C874/H74 terminates receiving of 1-word data.	



(4) Stop Condition Generation

When the BB is "1", a sequence of generating a stop condition is started by writing "1" to the MST, TRX, and PIN, and "0" to the BB. Do not modify the contents of the MST, TRX, BB, PIN until a stop condition is generated on a bus. When a SCL line of bus is pulled down by other devices, the 87C874/H74 generates a stop condition after they release a SCL line.

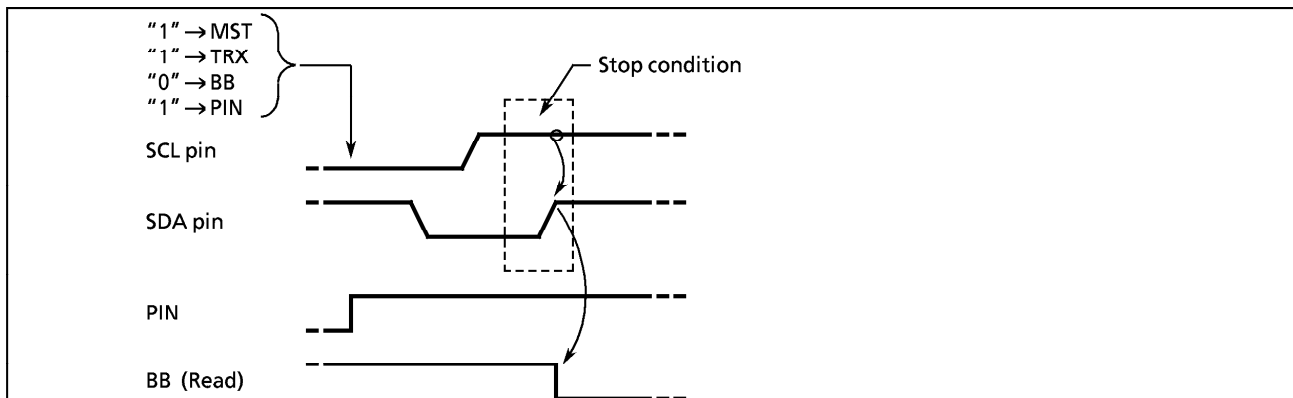


Figure 2-52. Stop Condition Generation

(5) Restart

Restart is used to change the direction of data transfer between a master device and a slave device during transferring data. The following explains how to restart when the 87C874/H74 is in the master mode.

Specify "0" to the MST, TRX, and BB and "1" to the PIN and release the bus. The SDA pin retains the high level and the SCL pin is released. Since a stop condition is not generated on a bus, a bus is assumed to be in a busy state from other devices. Check the BB until it becomes "0" to check that the SCL pin of the 87C874/H74 is released. Check the LRB until it becomes "1" to check that the SCL line of a bus is not pulled down to the low level by other devices. After confirming that a bus stays in a free state, generate a start condition with procedure (2).

In order to meet setup time when restarting, take at least 4.7 [ $\mu$ s] of waiting time by software from the time of restarting to confirm that the bus is free until the time to generate the start condition.

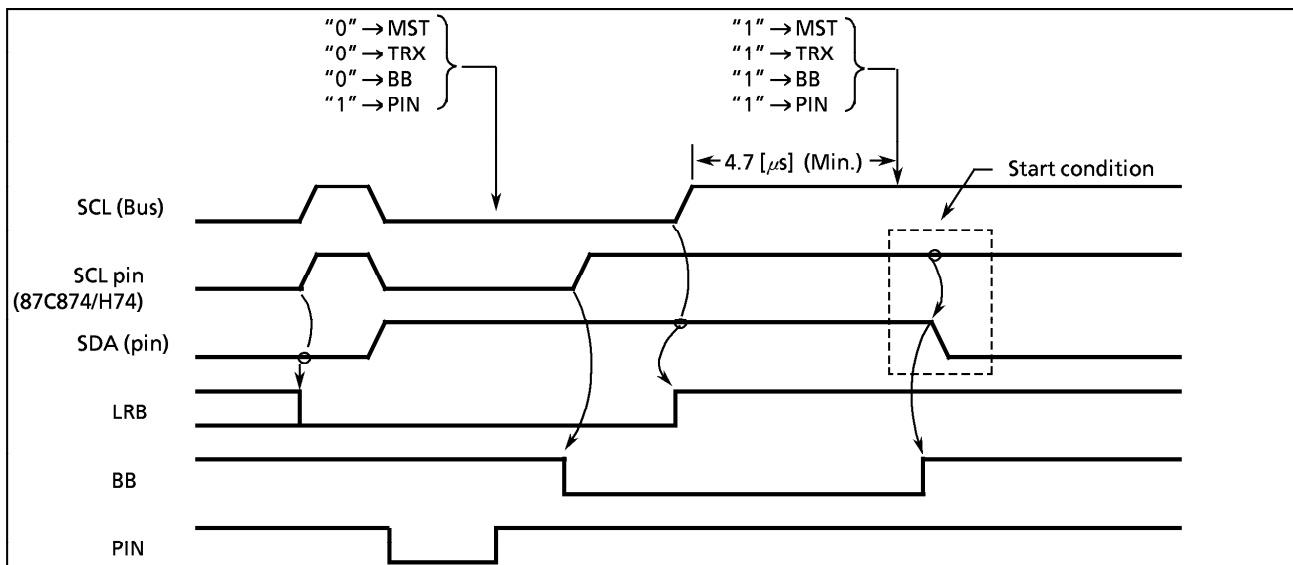


Figure 2-53. Timing Diagram when Restarting the 87C874/H74

### 2.9.6 Clocked-synchronous 8-bit SIO Mode Control

The following registers are used for control and operation status monitoring when using the serial bus interface (SBI) in the clocked-synchronous 8-bit SIO mode.

Serial Bus Interface Control Register 1			
<b>SBICR1</b> (0020 <sub>H</sub> )	7	6	5 4 3 2 1 0
	SIOS	SIOINH	SIOM "0" SCK
(Initial value : 0000 *000)			
SIOS	Indicate transfer start/stop		0 : Stop 1 : Start
SIOINH	Continue/abort transfer		0 : Continue transfer 1 : Abort transfer (automatically cleared after abort)
SIOM	Transfer mode select		00 : 8-bit transmit mode 01 : reserved 10 : 8-bit transmit / receive mode 11 : 8-bit receive mode
SCK	Serial clock select		000 : $f_c/2^5$ ( 250 kHz) 001 : $f_c/2^6$ ( 125 kHz) 010 : $f_c/2^7$ ( 62.5 kHz) 011 : $f_c/2^8$ ( 31.25 kHz) 100 : $f_c/2^9$ ( 15.62 kHz) 101 : $f_c/2^{10}$ ( 7.81 kHz) 110 : $f_c/2^{11}$ ( 3.90 kHz) 111 : External clock (input from SCK pin)
			at $f_c = 8$ MHz (Output on SCK pin)
Write only			
<p>Note 1 : * ; don't care</p> <p>Note 2 : Set the SIOS to "0" when setting the transfer mode or serial clock.</p> <p>Note 3 : SBICR1 is write-only register, which cannot access any of in read-modify-write instruction such as bit operate, etc.</p>			
Serial Bus Interface Data Buffer Register			
<b>SBIDBR</b> (0021 <sub>H</sub> )	7	6	5 4 3 2 1 0
	Read / Write		
<p>Note : Cannot read the data which was written into SBIDBR, since a write data buffer and a read buffer are independent in SBIDBR. Therefore, cannot access it any of in read-modify-write instruction such as bit operate, etc.</p>			
Serial Bus Interface Control Register 2			
<b>SBICR2</b> (0023 <sub>H</sub> )	7	6	5 4 3 2 1 0
	"0"	"0"	"0" "1" SBIM "0" "0"
(Initial value : **** 00**)			
SBIM	Serial bus interface operation mode selection		00 : Port mode (serial bus interface output disable) 01 : SIO mode 10 : I <sup>2</sup> C bus mode 11 : reserved
			Write only
<p>Note 1 : * ; don't care</p> <p>Note 2 : Switch a mode to port after data transfer is complete.</p> <p>Note 3 : Switch a mode to SIO mode after confirming that input signal via port is high level.</p> <p>Note 4 : SBICR2 is write-only register, which cannot access any of in read-modify-write instruction such as bit operate, etc.</p>			
Serial Bus Interface Status Register			
<b>SBISR</b> (0023 <sub>H</sub> )	7	6	5 4 3 2 1 0
	"1"	"1"	"1" "1" SIOF SEF "1" "1"
SIOF	Serial transfer operating status monitor		0 : Transfer terminated 1 : Transfer in process
SEF	Shift operating status monitor		0 : Shift operation terminated 1 : Shift operation in process
			Read only

Figure 2-54. Control Register / Data Buffer Register / Status Register in SIO Mode

(1) Serial clock

a. Clock source

The SCK(bits 2 to 0 in SBICR1) is used to select the following functions.

① Internal clock

In an internal clock mode, any of seven frequencies can be selected. The serial clock is output to the outside on the  $\overline{SCK0}$  pin. The  $\overline{SCK0}$  pin becomes a high level when data transfer starts. When writing (in the transmit mode) or reading (in the receive mode) data cannot follow the serial clock rate, an automatic-wait function is executed to stop the serial clock automatically and hold the next shift operation until reading or writing is complete.

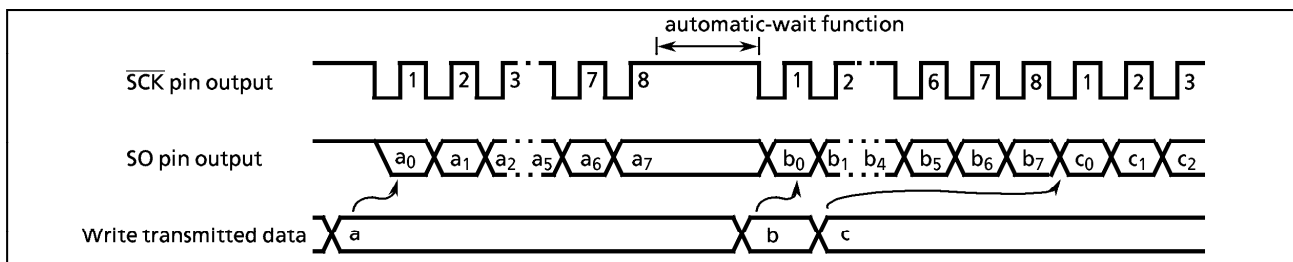


Figure 2-55. Automatic Wait Function

② External clock (SCK = "111")

An external clock supplied to the  $\overline{SCK0}$  pin is used as the serial clock. In order to ensure shift operation, a pulse width of at least 4 machine cycles is required for both high and low levels in the serial clock. The maximum data transfer frequency is 250 kHz ( $f_c=8$  MHz).

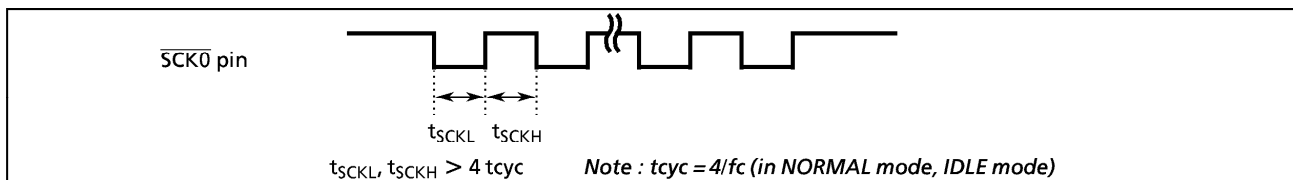


Figure 2-56. The Maximum Data Transfer Frequency in The External Clock Input

b. Shift edge

The leading edge is used to transmit data, and the trailing edge is used to receive data.

① Leading edge

Data is shifted on the leading edge of the serial clock (at a falling edge of the  $\overline{SCK0}$  pin input / output).

② Trailing edge

Data is shifted on the trailing edge of the serial clock (at a rising edge of the  $\overline{SCK0}$  pin input / output).

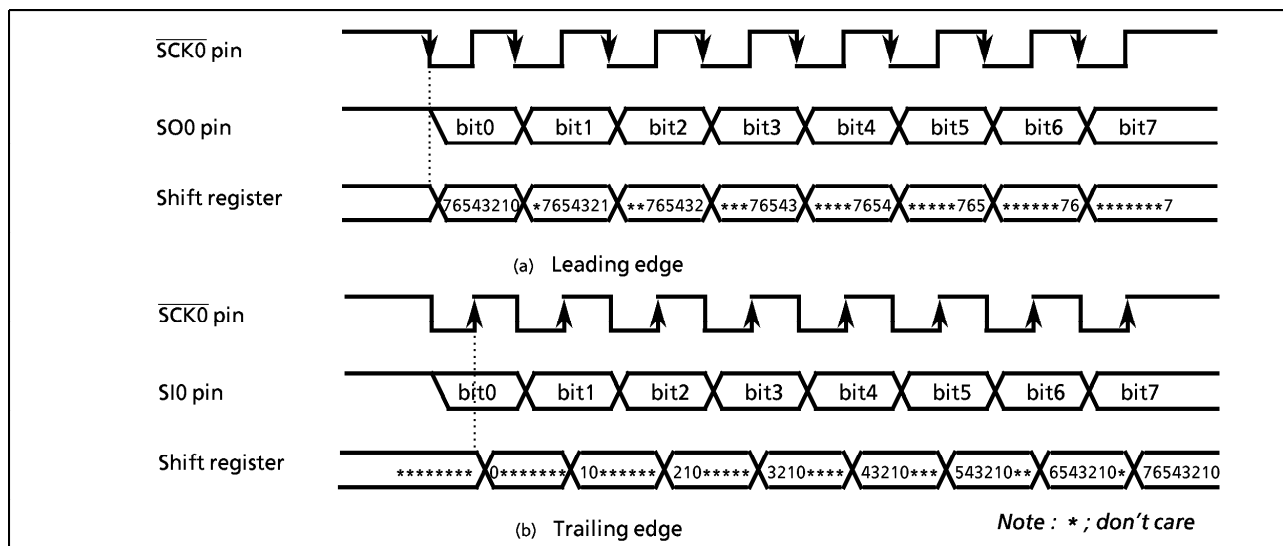


Figure 2-57. Shift Edge

**(2) Transfer mode**

The SIOM (bits 5 and 4 in SBICR) is used to select a transmit, receive, or transmit/receive mode.

**a. 8-bit transmit mode**

Set a control register to a transmit mode and write data to the SBIDBR.

After the data is written, set the SIOS to "1" to start data transfer. The transmitted data is transferred from the SBIDBR to the shift register and output to the SO0 pin in synchronous with the serial clock, starting from the least significant bit (LSB). When the data is transferred to the shift register, the SBIDBR becomes empty. The INTSBI (buffer empty) interrupt request is generated to request new data.

When the internal clock is used, the serial clock will stop and automatic-wait function will be initiated if new data is not loaded to the data buffer register after the specified 8-bit data is transmitted. When new data is written, automatic-wait function is canceled.

When the external clock is used, data should be written to the SBIDBR before new data is shifted. The transfer speed is determined by the maximum delay time between the time when an interrupt request is generated and the time when data is written to the SBIDBR by the interrupt service program.

When the transmit is started, after the SIOF goes "1" output from the SO pin holds final bit of the last data until falling edge of the  $\overline{SCK}$ .

Transmitting data is ended by cleaning the SIOS to "0" by the buffer empty interrupt service program or setting the SIOINH to "1". When the SIOS is cleared, the transmitted mode ends when all data is output. In order to confirm if data is surely transmitted by the program, set the SIOF (bit 3 in the SBISR) to be sensed. The SIOF is cleared to "0" when transmitting is complete. When the SIOINH is set, transmitting data stops. The SIOF turns "0".

When the external clock is used, it is also necessary to clear the SIOS to "0" before new data is shifted; otherwise, dummy data is transmitted and operation ends.

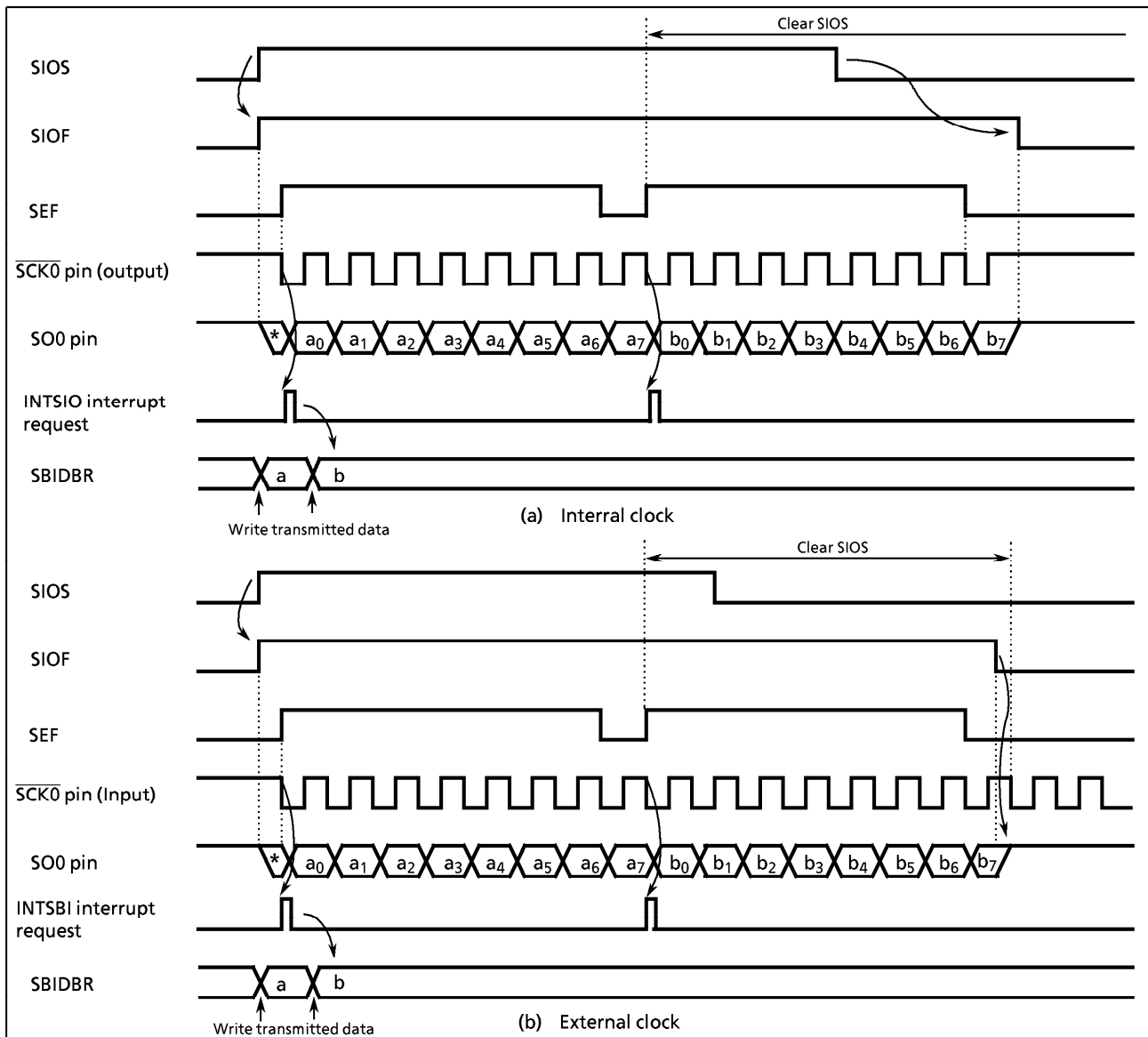


Figure 2-58. Transfer Mode

**Example:** SIO0 transfer end command (External clock)

```

STEST1 : TEST (SBISR).SEF      ; If SEF = 1 then loop
        JRS F,STEST1
STEST2 : TEST (P3).6          ; If SCK = 0 then loop
        JRS T,STEST2
        LD (SBICR1),00000111B ; SIOS ← 0
    
```

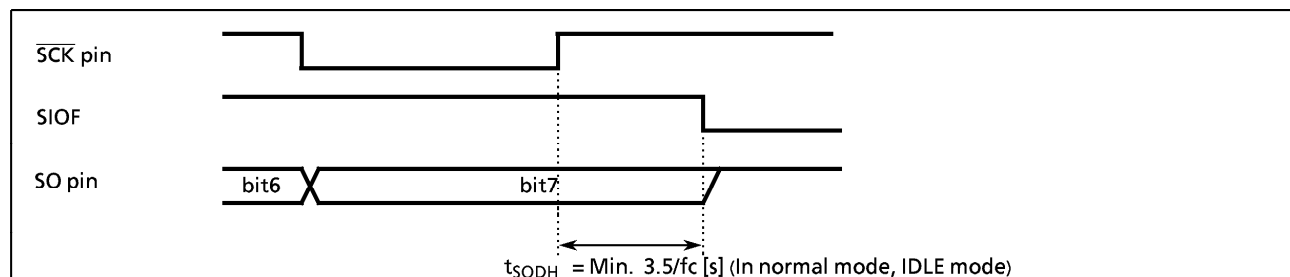


Figure 2-59. Transmitted Data Hold Time at End of Transmit

#### b. 8-bit receive mode

Set a control register to a receive mode and the SIOS to "1" for switching to a receive mode. Data is received from the SI pin to the shift register in synchronous with the serial clock, starting from the least significant bit (LSB). When the 8-bit data is received, the data is transferred from the shift register to the SBIDBR. The INTSBI (buffer full) interrupt request is generated to request of reading the received data. The data is then read from the SBIDBR by the interrupt service program.

When the internal clock is used, the serial clock will stop and automatic-wait function will be initiated until the received data is read from the SBIDBR.

When the external clock is used, since shift operation is synchronized with the clock pulse provided externally, the received data should be read before new data is transferred to the SBIDBR. If the received data is not read, further data to be received is canceled. The maximum transfer speed when the external clock is used is determined by the delay time between the time when an interrupt request is generated and the time when received data is read.

When the transmit is started, after the SIOF goes "1" output from the SO pin holds final bit of the last data until falling edge of the SCK.

Receiving data is ended by clearing the SIOS to "0" by the buffer full interrupt service program or setting the SIOINH to "1". When the SIOS is cleared, received data is transferred to the SBIDBR in complete blocks. The received mode ends when the transfer is complete. In order to confirm if data is surely received by the program, set the SIOF (bit 3 in SBIDBR) to be sensed. The SIOF is cleared to "0" when receiving is complete. After confirming that receiving has ended, the last data is read. When the SIOINH is set, receiving data stops. The SIOF turns "0" (the received data becomes invalid, therefore no need to read it).

**Note :** When the transfer mode is switched, the SBIDBR contents are lost. In case that the mode needs to be switched, conclude receiving data by clearing the SIOS to "0", read the last data, and then switch the mode.

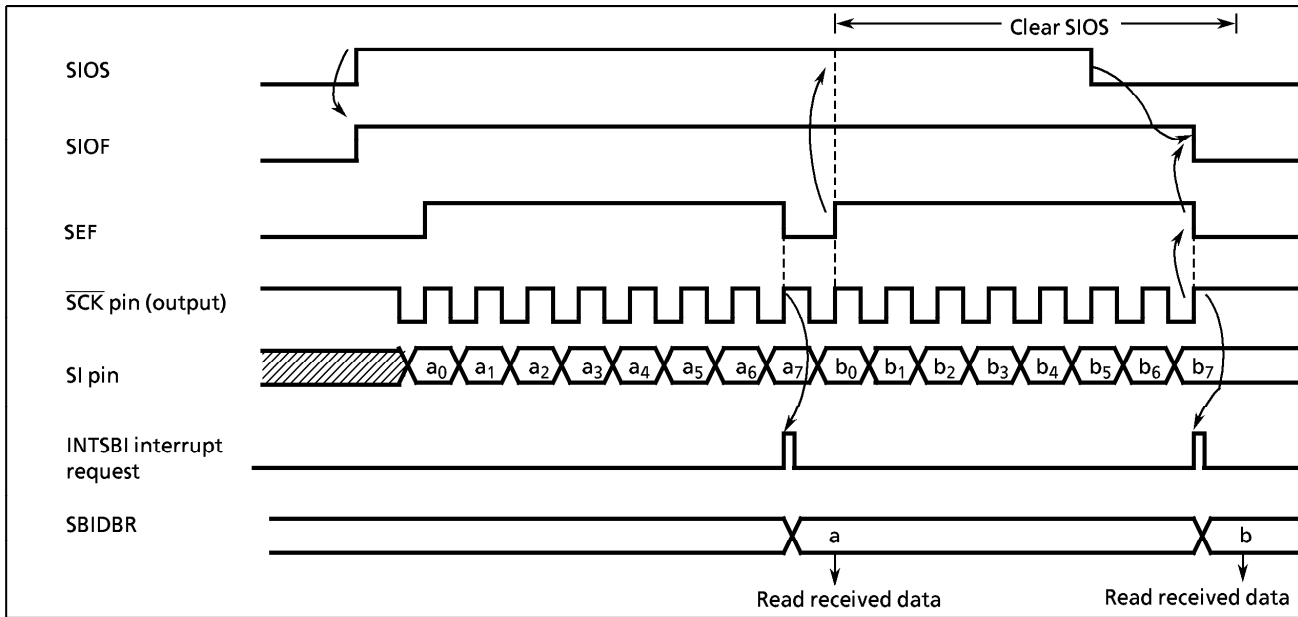


Figure 2-60. Receive Mode (Example: Internal clock)

c. 8-bit transmit / receive mode

Set a control register to a transmit / receive mode and write data to the SBIDBR. After the data is written, set the SIOS to "1" to start transmitting / receiving. When transmitting, the data is output from the SO pin on the leading edges in synchronous with the serial clock, starting from the least significant bit (LSB). When receiving, the data is input to the SI pin on the trailing edges of the serial clock. 8-bit data is transferred from the shift register to the SBIDBR, and the INTSBI interrupt request occurs. The interrupt service program reads the received data from the shift register to the SBIDBR, and the INTSBI interrupt request occurs. The interrupt service program reads the received data from the data buffer register and writes data to be transmitted. The SBIDBR is used for both transmitting and receiving. Transmitted data should always be written after received data is read.

When the internal clock is used, automatic-wait function is initiated until received data is read and next data is written.

When the external clock is used, since the shift operation is synchronized with the external clock, received data is read and transmitted data is written before new shift operation is executed. The maximum transfer speed when the external clock is used is determined by the delay time between the time when an interrupt request is generated and the time when received data is read and transmitted data is written.

When the transmit is started, after the SIOF goes "1" output from the SO pin holds final bit of the last data until falling edge of the  $\overline{SCK}$ .

Transmitting / receiving data is ended by clearing the SIOS to "0" by the INTSBI interrupt service program or setting the SIOINH to "1". When the SIOS is cleared, received data is transferred to the SBIDBR in complete blocks. The transmit / receive mode ends when the transfer is complete. In order to confirm if data is surely transmitted / received by the program, set the SIOF (bit 3 in SBISR) to be sensed. The SIOF becomes "0" after transmitting / receiving is complete. When the SIOINH is set, transmitting / receiving data stops. The SIOF turns "0".

*Note : When the transfer mode is switched, the SBIDBR contents are lost. In case that the mode needs to be switched, conclude transmitting/receiving data by clearing the SIOS to '0', read the last data, and then switch the transfer mode.*

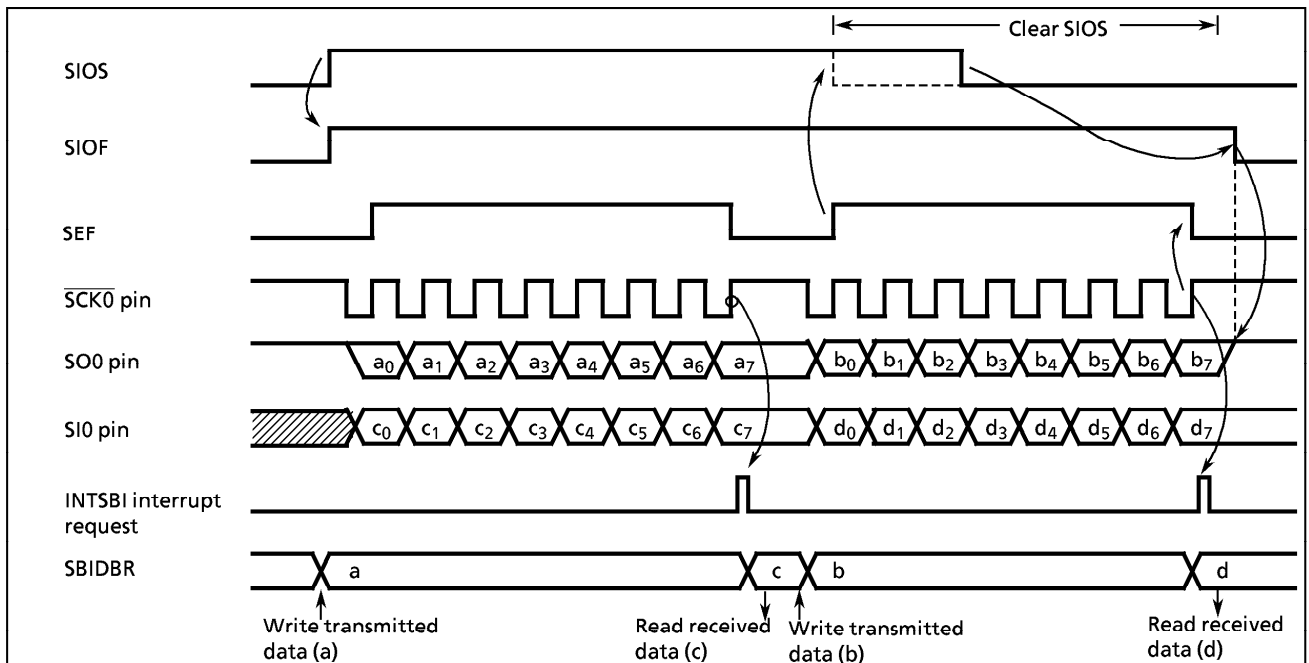


Figure 2-61. Transmit / Receive Mode (Example: Internal clock)



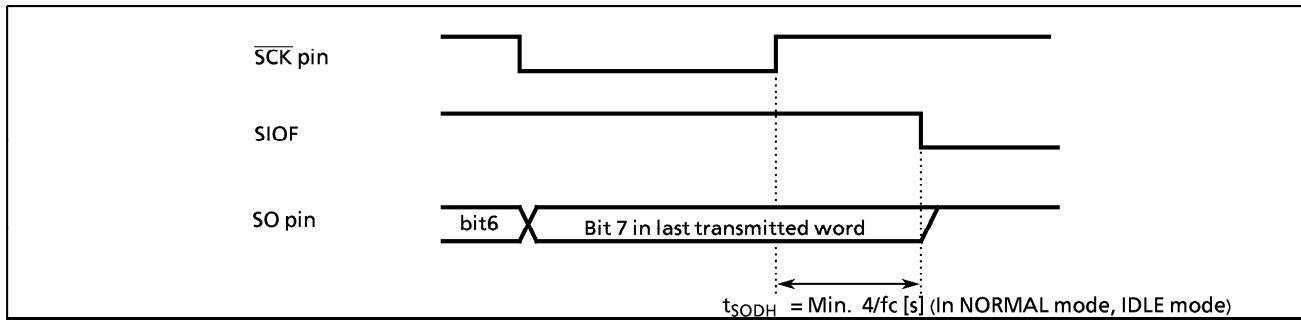


Figure 2-62. Transmitted Data Hold Time at End of Transmit / Receive

## 2.10 Serial Interface (SIO1, SIO2)

The 87C874/H74 each have one clocked-synchronous 8-bit serial interface (SIO1). Each serial interface has an 8-byte transmit and receive data buffer that can automatically and continuously transfer up to 64 bits of data.

The serial interfaces are connected to external devices via pins P02 (SO1), P01 (SI1), P00 ( $\overline{SCK1}$ ) for SIO1. The serial interface pins are also used as port P0. When used as serial interface pins, the output latches of these pins should be set to "1". In the transmit mode, pins P01 can be used as normal I/O ports, and in the receive mode, the pins P02 can be used as normal I/O ports.

### 2.10.1 Configuration

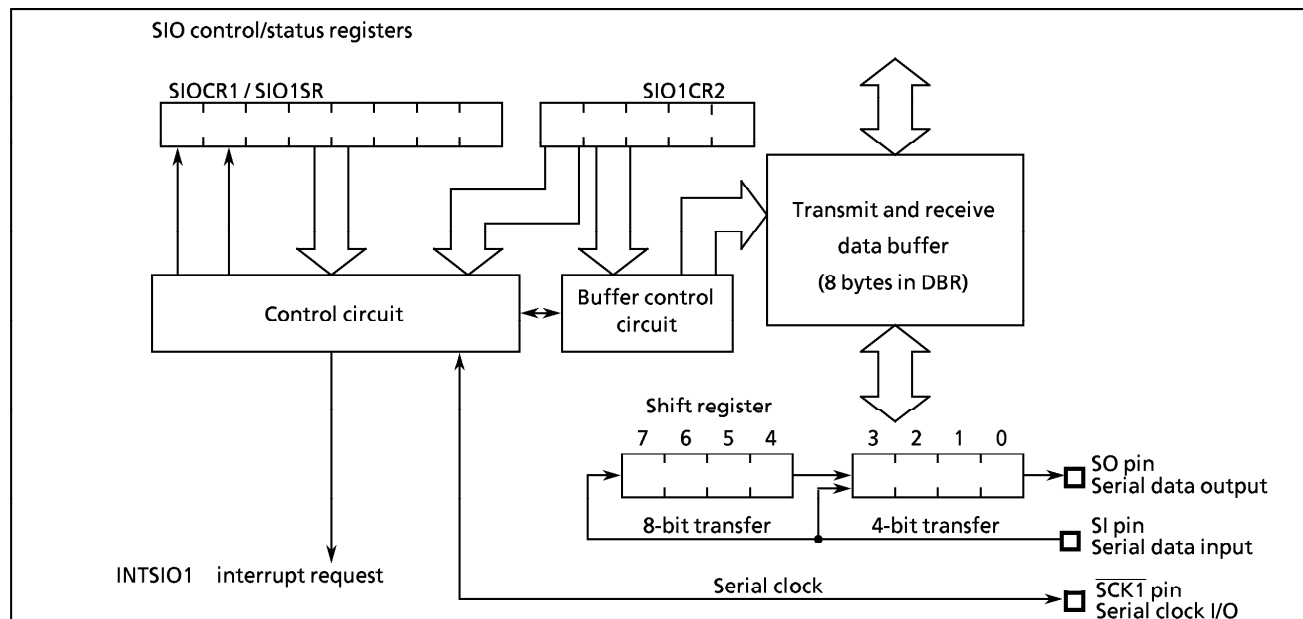


Figure 2-63. Serial Interfaces

### 2.10.2 Control

The serial interfaces are controlled by SIO1 control registers (SIO1CR1/SIO1CR2). The serial interface status can be determined by reading SIO status registers (SIO1SR).

The transmit and receive data buffer is controlled by the BUF (bits 2-0 in SIO1CR2). The data buffer is assigned to addresses 0FF8<sub>H</sub> - 0FFF<sub>H</sub> for SIO1 in the DBR area, and can continuously transfer up to 8 words (bytes or nibbles) at one time. When the specified number of words has been transferred, a buffer empty (in the transmit mode) or a buffer full (in the receive mode or transmit/receive mode) interrupt (INTSIO1) is generated.

When the internal clock is used as the serial clock in the 8-bit receive mode and the 8-bit transmit/receive mode, a fixed interval wait can be applied to the serial clock for each word transferred. Four different wait times can be selected with WAIT (bits 4 and 3 in SIO1CR2).

SIO Control Registers 1

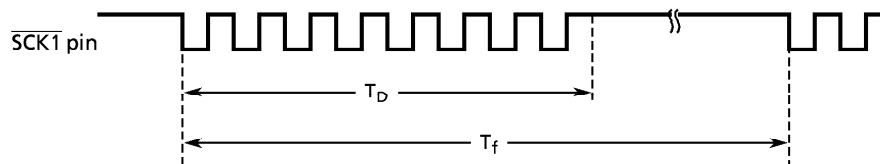
		7	6	5	4	3	2	1	0		
SIO1CR1 (0027 <sub>H</sub> )		SIOS	SIO INH	SIOM			SCK			(Initial value : 0000 0000)	
	SIOS	Indicate transfer start/stop		0 : Stop 1 : Start		} (Output on SCK pin)		write only			
	SIOINH	Continue/abort transfer		0 : Continue transfer 1 : Abort transfer (automatically cleared after abort)							
	SIOM	Transfer mode select		000 : 8-bit transmit mode 010 : 4-bit transmit mode 100 : 8-bit transmit/receive mode 101 : 8-bit receive mode 110 : 4-bit receive mode							
	SCK	Serial clock select		000 : Internal clock $f_c / 2^{13}$ or $f_s / 2^5$ [Hz] 001 : Internal clock $f_c / 2^8$ 010 : Internal clock $f_c / 2^6$ 011 : Internal clock $f_c / 2^5$ 111 : External clock (input from SCK pin)							

- Note 1 :  $f_c$  ; High-frequency clock [Hz],  $f_s$  ; Low-frequency clock [Hz]
- Note 2 : Set SIOS to "0" and SIOINH to "1" when setting the transfer mode or serial clock.
- Note 3 : SIO1CR1 is write-only register, which cannot access any of in read-modify-write instruction such as bit operate, etc.

SIO1 Control Registers 2

		7	6	5	4	3	2	1	0		
SIO1CR2 (0028 <sub>H</sub> )		WAIT			BUF			(Initial value : ***0 0000)			
	WAIT	Wait control		00 : $T_f = T_D$ (no-WAIT) 01 : $T_f = 2T_D$ 10 : $T_f = 4T_D$ 11 : $T_f = 8T_D$ ] (WAIT)		} Write only					
BUF	Number of transfer words		Buffer address used SIO 000 : 1 word transfer      OFF8 <sub>H</sub> 001 : 2 words transfer    OFF8 - OFF9 <sub>H</sub> 010 : 3 words transfer    OFF8 - OFFA <sub>H</sub> 011 : 4 words transfer    OFF8 - OFFB <sub>H</sub> 100 : 5 words transfer    OFF8 - OFFC <sub>H</sub> 101 : 6 words transfer    OFF8 - OFFD <sub>H</sub> 110 : 7 words transfer    OFF8 - OFFE <sub>H</sub> 110 : 8 words transfer    OFF8 - OFFF <sub>H</sub>								

- Note 1 : \*; don't care
- Note 2 : WAIT is valid only in the 8-bit transmit / receive and 8-bit receive modes.
- Note 3 :  $T_f$ ; frame time,  $T_D$ ; data transfer time



Note 4 : The lower 4 bits of each buffer are used during 4-bit transfers. Zeros (0) are stored to the upper 4bits when receiving.

Note 5 : Transmitting starts at the lowest address. Received data are also stored starting from the lowest address to the highest address. For example, in the case of SIO, the first buffer address transmitted is 0FF8<sub>H</sub>.

Note 6 : The value to be loaded to BUF is held after transfer is completed.

Note 7 : SIO1CR2 are write-only registers, which cannot access any of in read-modify-write instruction such as bit operate, etc.

SIO1, SIO2 Status Registers

SIO1SR (0020 <sub>H</sub> )	7	6	5	4	3	2	1	0	
	SIOF	SEF	"1"	"1"	"1"	"1"	"1"	"1"	
	SIOF	Serial transfer operating status monitor		0 : Transfer terminated 1 : Transfer in process				read only	
	SEF	Shift operating status monitor		0 : Shift operation terminated 1 : Shift operation in process					

Figure 2-64. SIO Control Registers and Status Registers

(1) Serial Clock

a. Clock Source

SCK (bits 2 - 0 in SIO1CR1) is able to select the following:

① Internal Clock

Any of four frequencies can be selected. The serial clock is output to the outside on the  $\overline{SCK1}$  pin. The  $\overline{SCK}$  pin goes high when transfer starts.

When data writing (in the transmit mode) or reading (in the receive mode or the transmit/receive mode) cannot keep up with the serial clock rate, there is a wait function that automatically stops the serial clock and holds the next shift operation until the read/write processing is completed.

Table 2-9. Serial Clock Rate

Serial clock			Maximum transfer rate	
NORMAL1/2, IDLE1/2 mode		SLOW, SLEEP mode	At $f_c = 8$ MHz	At $f_s = 32.768$ kHz
DV7CK = 0	DV7CK = 1			
$f_c / 2^{13}$ [Hz]	$f_s / 2^5$ [Hz]	$f_s / 2^5$ [Hz]	0.95 Kbit/s	1 Kbit/s
$f_c / 2^8$	$f_c / 2^8$	-	30.5	
$f_c / 2^6$	$f_c / 2^6$	-	122	
$f_c / 2^5$	$f_c / 2^5$	-	244	

Note : 1K bit = 1024 bit

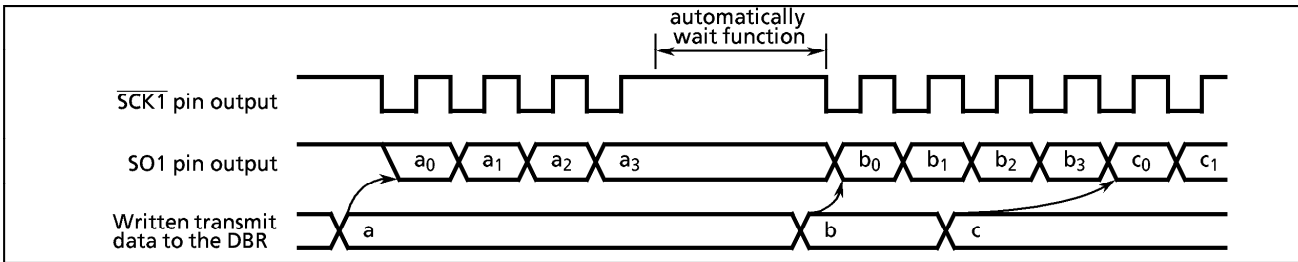
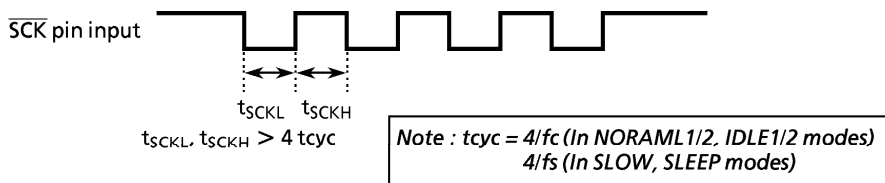


Figure 2-66. Clock Source (Internal Clock)

② External Clock

An external clock connected to the  $\overline{SCK1}$  pin is used as the serial clock. In this case, the P00 ( $\overline{SCK1}$ ) output latch must be set to "1". To ensure shifting, a pulse width of at least 4 machine cycles is required. Thus, the maximum transfer speed is 244K-bit/s. (at  $f_c = 8$  MHz).



**b. Shift edge**

The leading edge is used to transmit, and the trailing edge is used to receive.

① Leading Edge

Transmitted data are shifted on the leading edge of the serial clock (falling edge of the  $\overline{SCK1}$  pin input/output).

② Trailing Edge

Received data are shifted on the trailing edge of the serial clock (rising edge of the  $\overline{SCK1}$  pin input/output).

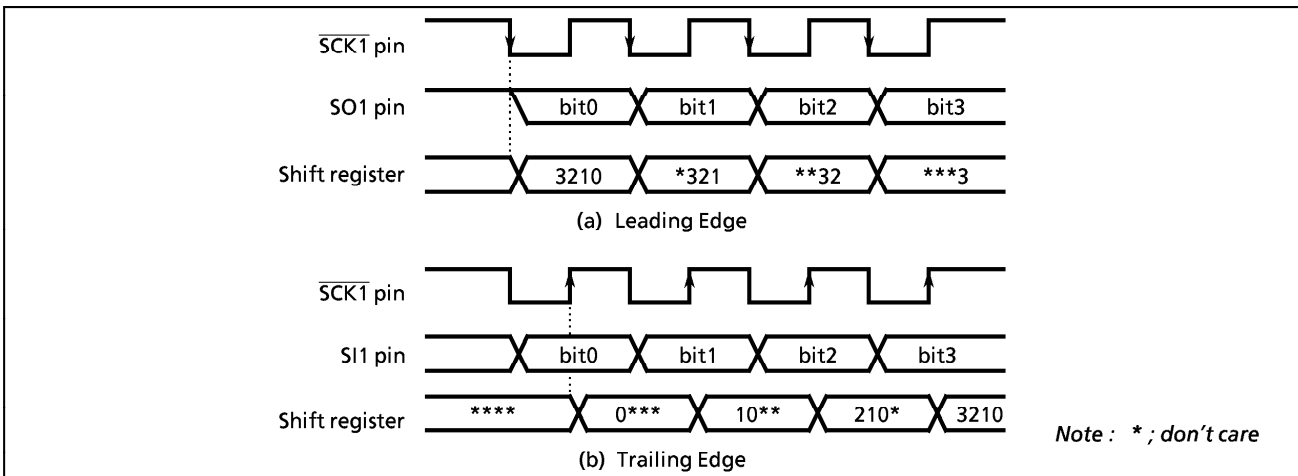


Figure 2-67. Shift Edge

(2) Number of Bits to Transfer

Either 4-bit or 8-bit serial transfer can be selected. When 4-bit serial transfer is selected, only the lower 4 bits of the transmit/receive data buffer register are used. The upper 4 bits are cleared to "0" when receiving.

The data is transferred in sequence starting at the least significant bit (LSB).

(3) Number of Words to Transfer

Up to 8 words consisting of 4 bits of data (4-bit serial transfer) or 8 bits (8-bit serial transfer) of data can be transferred continuously. The number of words to be transferred is loaded to BUF in SIOBCR. An INTSIO interrupt is generated when the specified number of words has been transferred. If the number of words is to be changed during transfer, the serial interface must be stopped before making the change.

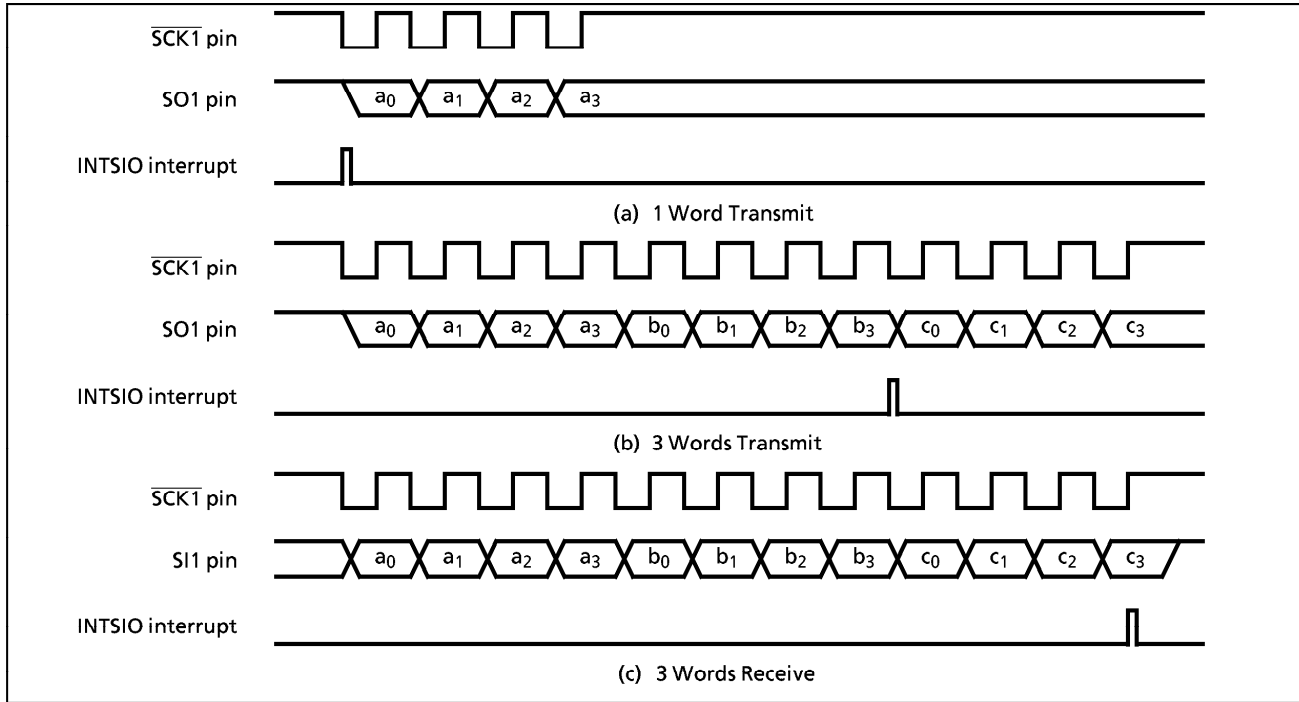


Figure 2-68. Number of Bits to Transfer (Example : 4-bit serial transfer)

(4) Transfer Mode

SIO M (bits 5 - 3 in SIO1CR1) is used to select the transmit, receive, or transmit/receive mode.

**a. 4-bit and 8-bit Transmit Modes**

In these modes, the SIO1CR1 is set to the transmit mode and then the data to be transmitted first are written to the data buffer registers (DBR). After the data are written, the transmission is started by setting SIOS to "1". The data are then output sequentially to the SO pin in synchronous with the serial clock, starting with the least significant bit (LSB). As soon as the LSB has been output, the data are transferred from the data buffer register to the shift register. When the final data bit has been transferred and the data buffer register is empty, an INTSIO (buffer empty) interrupt is generated to request the next transmitted data.

When the internal clock is used, the serial clock will stop and an automatic-wait will be initiated if the next transmitted data are not loaded to the data buffer register by the time the number of data words specified with the BUF has been transmitted. Writing even one word of data cancels the automatic-wait; therefore, when transmitting two or more words, always write the next word before transmission of the previous word is completed.

*Note: Waits are also canceled by writing to a DBR not being used as a transmit data buffer register; therefore, during SIO do not use such DBR for other applications.*

When an external clock is used, the data must be written to the data buffer register before shifting next data. Thus, the transfer speed is determined by the maximum delay time from the generation of the interrupt request to writing of the data to the data buffer register by the interrupt service program.

When the transmit is started, after the SIOF goes "1" output from the SO pin holds final bit of the last data until falling edge of the  $\overline{SCK1}$ . The transmission is ended by clearing SIOS to "0" at the time that the final bit of the data being shifted out has been transferred. That the transmission has ended can be determined from the status of SIOF (bit 7 in SIO1SR) because SIOF is cleared to "0" when a transfer is completed. When an external clock is used, it is also necessary to clear SIOS to "0" before shifting the next data; otherwise, dummy data will be transmitted and the operation will end.

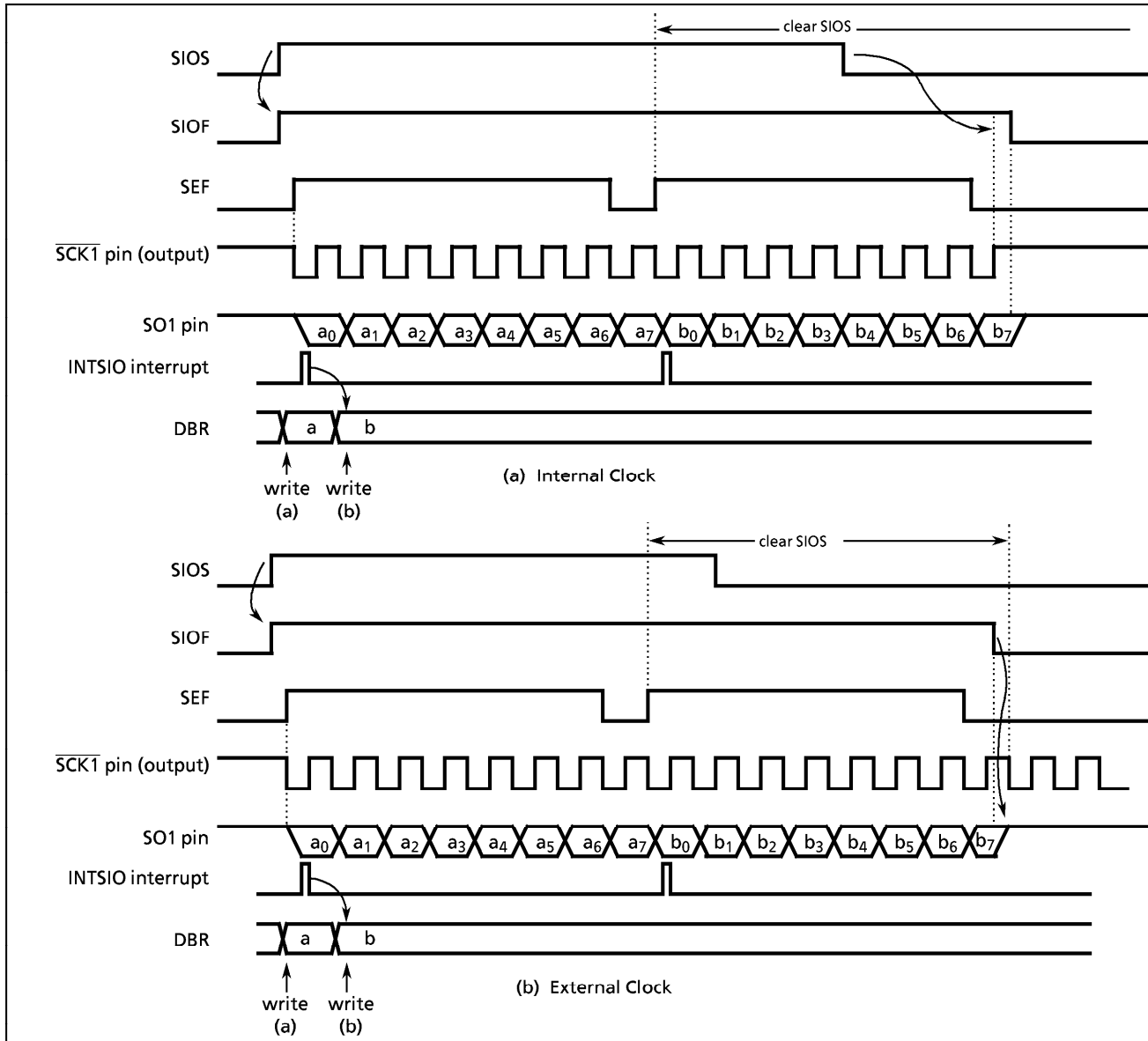


Figure 2-69. Transfer Mode (Example: 8-bit, 1 Word Transfer)

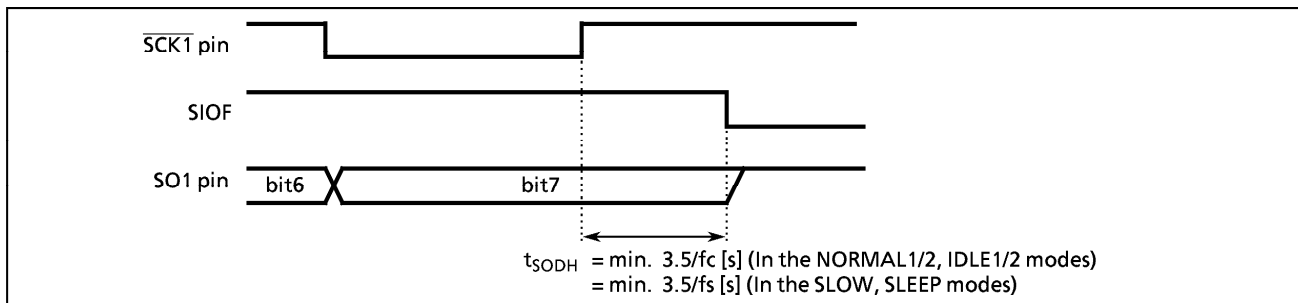


Figure 2-70. Transmitted Data Hold Time at End of Transmit

#### **b. 4-bit and 8-bit Receive Modes**

After setting the control registers to the receive mode, set SIOS to "1" to enable receiving. The data are then transferred to the shift register via the SI1 pin in synchronous with the serial clock. When one word of data has been received, it is transferred from the shift register to the data buffer register (DBR). When the number of words specified with the BUF has been received, an INTSIO (buffer full) interrupt is generated to request that these data be read out. The data are then read from the data buffer registers by the interrupt service program.

When the internal clock is used, and the previous data are not read from the data buffer register before the next data are received, the serial clock will stop and an automatic-wait will be initiated until the data are read. A wait will not be initiated if even one data word has been read.

*Note : Waits are also canceled by reading a DBR not being used as a received data buffer register is read; therefore, during SIO do not use such DBR for other applications.*

When an external clock is used, the shift operation is synchronized with the external clock; therefore, the previous data are read before the next data are transferred to the data buffer register. If the previous data have not been read, the next data will not be transferred to the data buffer register and the receiving of any more data will be canceled. When an external clock is used, the maximum transfer speed is determined by the delay between the time when the interrupt request is generated and when the data received have been read.

Clear SIOS to "0" to end receiving. When SIOS is cleared, the current data are transferred to the buffer in 4-bit or 8-bit blocks. The receiving mode ends when the transfer is completed. SIOF is cleared to "0" when receiving is ended and thus can be sensed by program to confirm that receiving has ended.

*Note : The buffer contents are lost when the transfer mode is switched. If it should become necessary to switch the transfer mode, end receiving by clearing SIOS to "0", read the last data and then switch the transfer mode.*



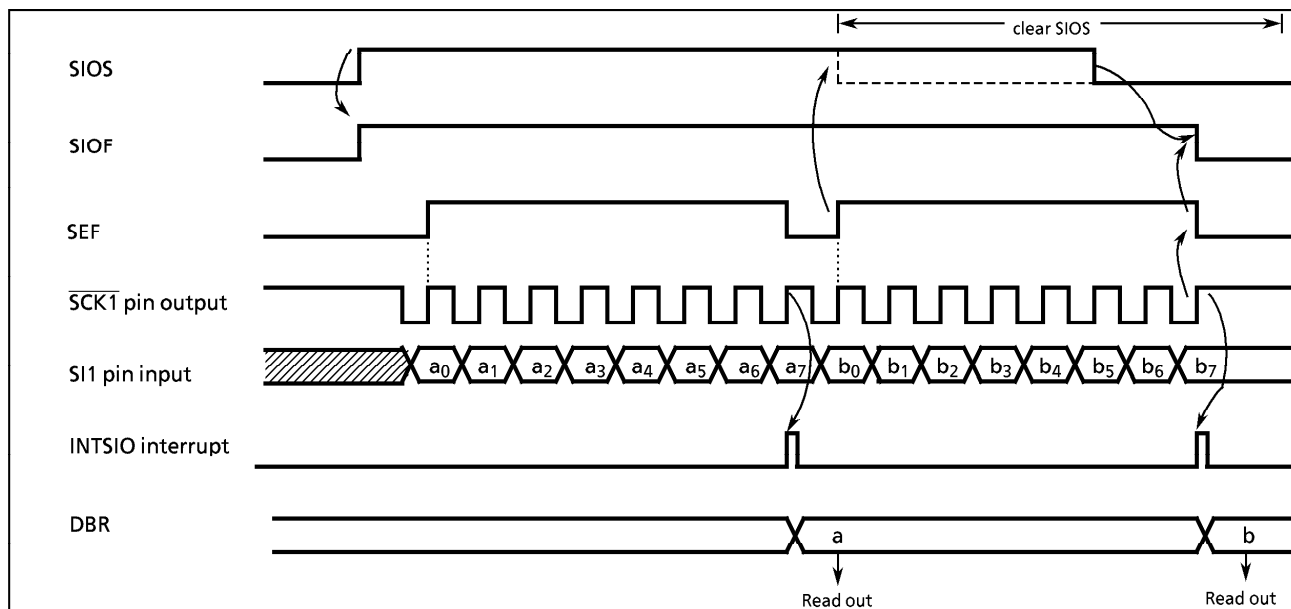


Figure 2-71. Receive Mode (Example : 8-bit, 1 word, internal clock)

### c. 8-bit Transmit/Receive Mode

After setting the control registers to the 8-bit transmit/receive mode, write the data to be transmitted first to the data buffer registers (DBR). After that, enable transceiving by setting SIOS to "1". When transmitting, the data are output from the SO1 pin at leading edges of the serial clock. When receiving, the data are input to the SI pin at the trailing edges of the serial clock. 8-bit data are transferred from the shift register to the data buffer register. An INTSIO interrupt is generated when the number of data words specified with the BUF has been transferred. The interrupt service program reads the received data from the data buffer register and then writes the data to be transmitted. The data buffer register is used for both transmitting and receiving; therefore, always write the data to be transmitted after reading the received data.

When the transmit is started, after the SIOF goes "1" output from the SO pin holds final bit of the last data until falling edge of the  $\overline{SCK1}$ .

When the internal clock is used, a wait is initiated until the received data are read and the next data are written.

When an external clock is used, the shift operation is synchronized with the external clock; therefore, it is necessary to read the received data and write the data to be transmitted next before starting the next shift operation. When an external clock is used, the transfer speed is determined by the maximum delay between generation of an interrupt request and the received data are read and the data to be transmitted next are written.

Clear SIOS to "0" to enable the transmit mode. When SIOS is cleared, the current data are transferred to the data buffer register in 8-bit blocks. The transmit mode ends when the transfer is completed. SIOF is cleared to "0" when receiving is ended and thus can be sensed by program to confirm that receiving has ended.

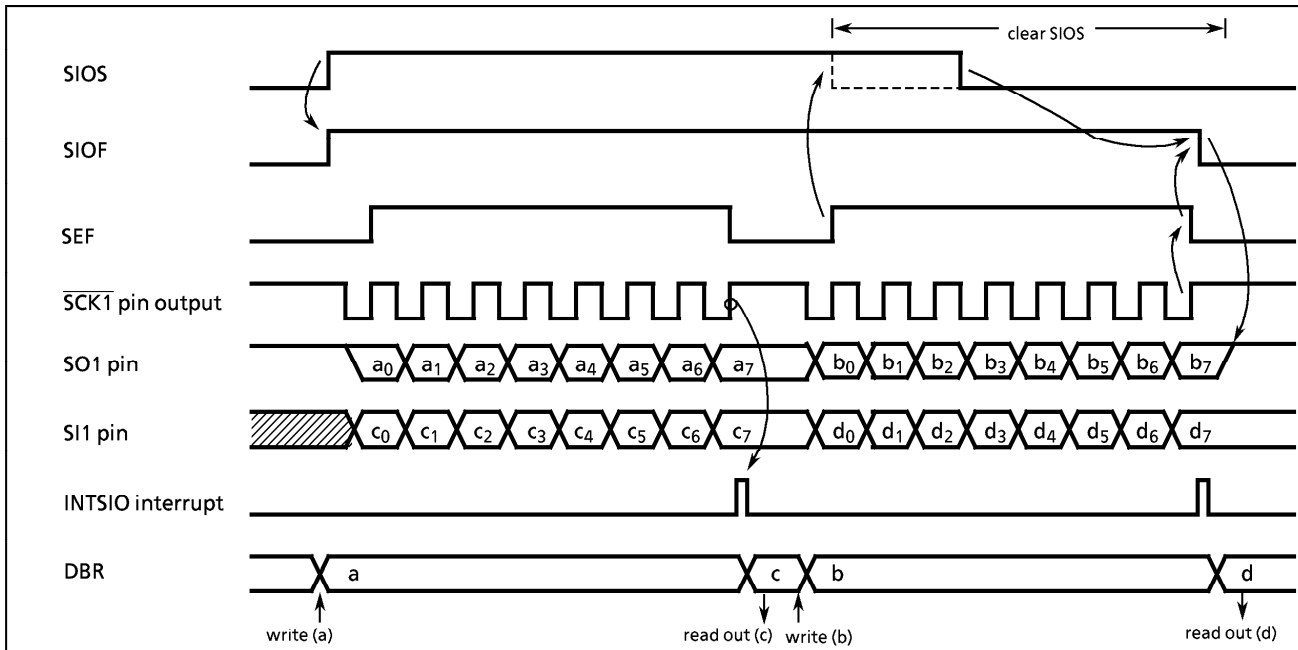


Figure 2-72. Transmit/Receive Mode (Example : 8-bit, 1word, internal clock)

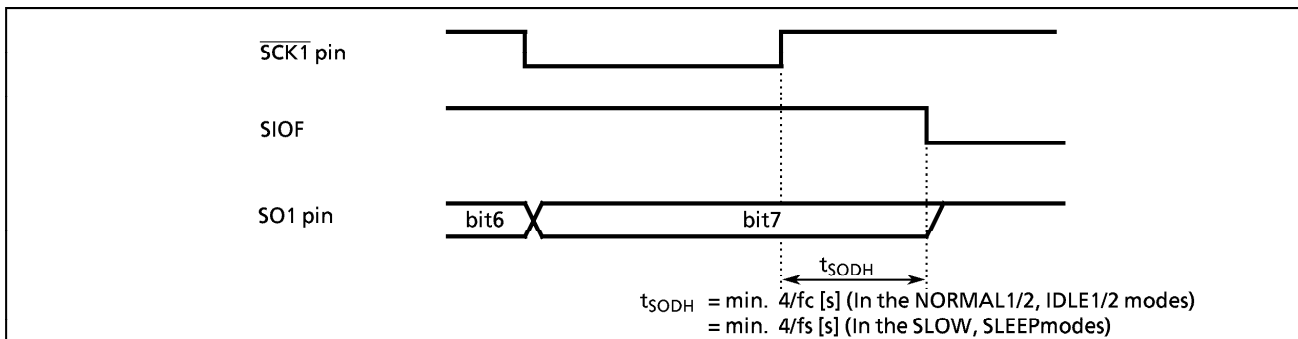


Figure 2-73. Transmitted Data Hold Time at End of Transmit/receive

### 2.11 8-bit A/D Converter (ADC)

The 87C874/H74 each have an 8-channel multiplexed-input 8-bit successive approximate type A/D converter with sample and hold.

#### 2.11.1 Configuration

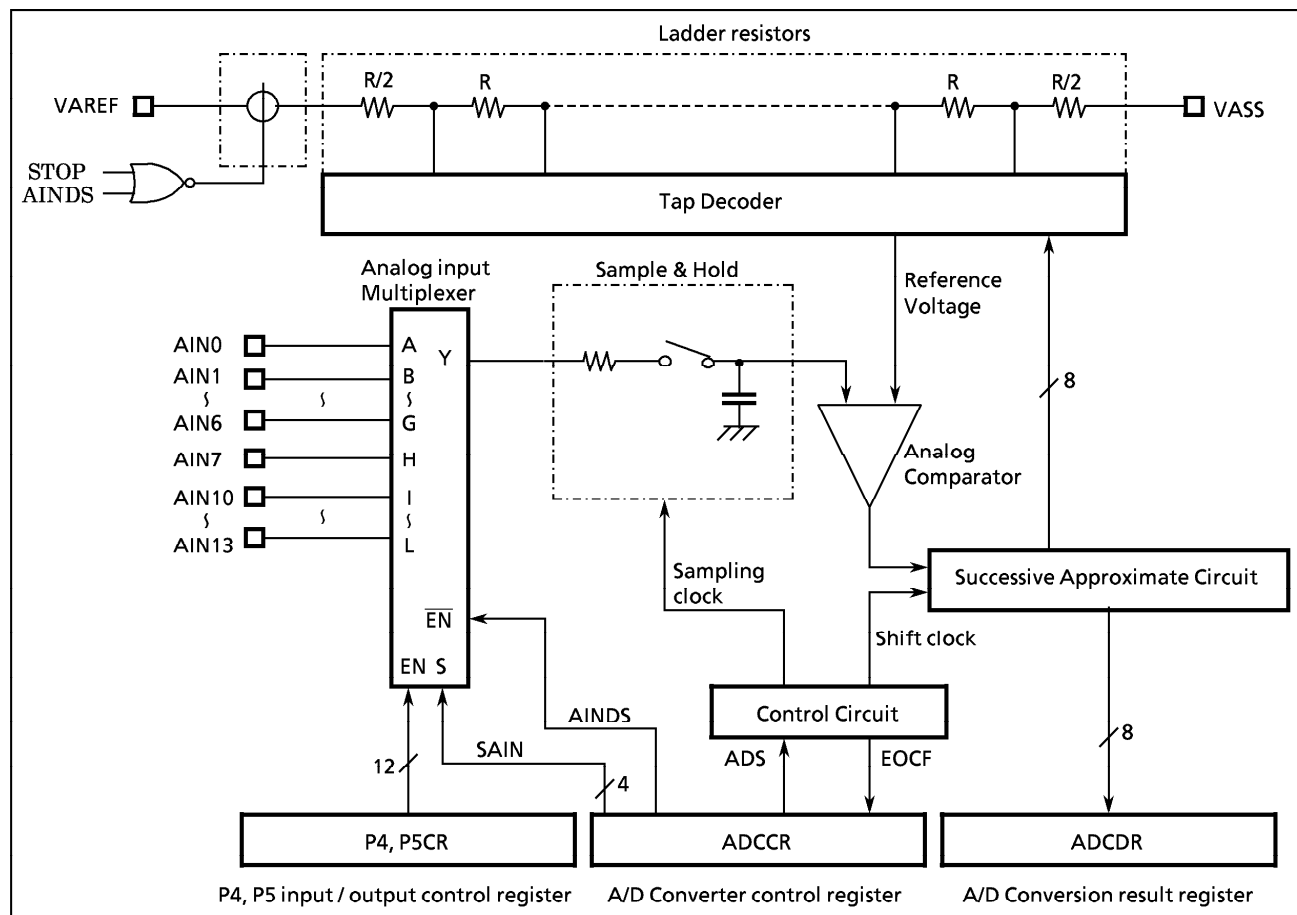
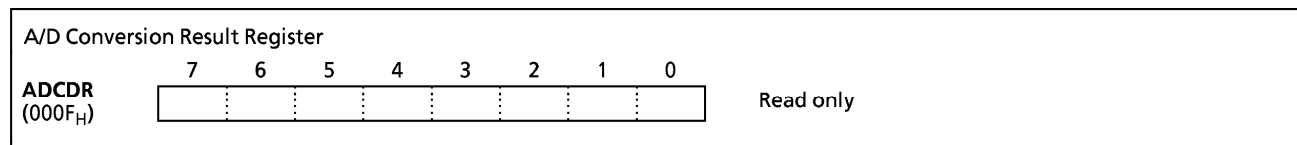


Figure 2-74. A/D Converter

#### 2.11.2 Control

The A/D converter is controlled by an A/D converter control register (ADCCR).



A/D Converter Control Register		7	6	5	4	3	2	1	0	
ADCCR (000E <sub>H</sub> )	EOCF	ADS	ACK	AINDS	SAIN				(Initial value : 0000 0000)	
	SAIN	Analog input selection		0000 : AIN0		1000 : AIN10				R/W
				0001 : AIN1		1001 : AIN11				
				0010 : AIN2		1010 : AIN12				
				0011 : AIN3		1011 : AIN13				
			0100 : AIN4							
			0101 : AIN5							
			0110 : AIN6							
			0111 : AIN7							
AINDS	Analog input control		0 : Enable		1 : Disable					
ACK	Conversion time select		0 : 23 $\mu$ s (at fc = 8 MHz)		1 : 92 $\mu$ s (at fc = 8 MHz)					
ADS	A/D conversion start		0 : –		1 : A/D conversion start					
EOCF	End of A/D conversion flag		0 : Under conversion or Before conversion		1 : End of conversion				R	

Note 1 : \* ; don't care  
 Note 2 : Select analog input when A/D converter stops.  
 Note 3 : The ADS is automatically cleared to "0" after starting conversion.  
 Note 4 : The EOCF is cleared to "0" when reading the ADCCR.  
 Note 5 : The EOCF is read-only.

Figure 2-76. A/D converter control register and A/D conversion result register

### 2.11.3 Operation

Apply analog reference voltage to pins VAREF and VASS.

#### (1) Start of A/D conversion

First, set the corresponding P4CR and P5CR bit to "0" for analog input. Clear the AINDS (bit 4 in ADCCR) to "0" and select one of eight analog input AIN13-AIN0 with the SAIN (bits 3-0 in ADCCR).

Note : The pin that is not used as an analog input can be used as regular input/output pins. During conversion, do not perform output instruction to maintain a precision for all of the pins.

A/D conversion is started by setting the ADS (bit 6 in ADCCR) to "1".

Conversion is accomplished in 46 machine cycles (184/fc [s]). When fc is 8 MHz, it needs 23  $\mu$ s.

The EOCF (bit 7 in ADCCR) is set to "1" at end of conversion.

Setting ADS to "1" in A/D conversion starts converting over again. An analog input voltage is sampled at intervals of four cycles after starting A/D conversion.

#### (2) Reading of A/D conversion result

After the end of conversion, read the conversion result from the ADCCR.

The EOCF is automatically cleared to "0" when reading the ADCCR.

Undefined value is read in A/D conversion.

(3) A/D conversion in STOP mode

When the MCU places in the STOP mode during the A/D conversion, the conversion is terminated and the ADCDR contents become indefinite. After returning from STOP mode, EOCF is kept to be cleared to "0".

However, if the STOP mode is started after the end of conversion (EOCF = 1), the ADCDR contents are held.

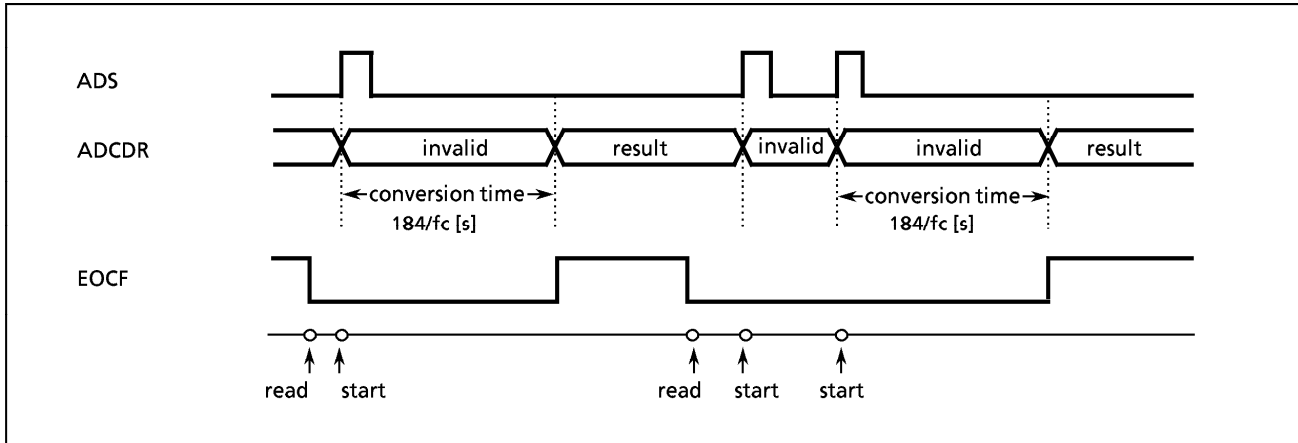


Figure 2-77. A/D Conversion Timing Chart

Example:

```

; AIN SELECT
LD      (ADCCR), 00100100B    ; selects AIN4
; A/D CONVERT START
SET     (ADCCR). 6            ; ADS = 1
SLOOP  : TEST    (ADCCR). 7    ; EOCF = 1 ?
        JRS     T, SLOOP
; RESULT DATA READ
LD      (9EH), (ADCCR)
    
```

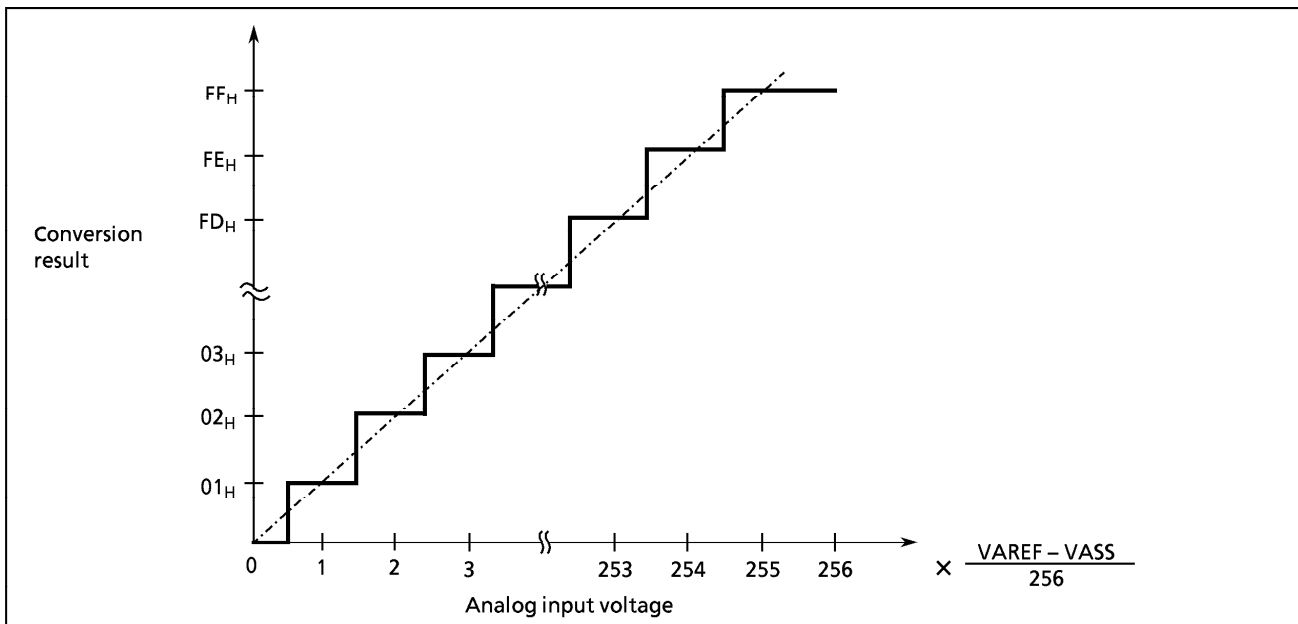


Figure2-78. Analog Input Voltage vs A/D Conversion Result (typ.)

## 2.12 Vacuum Fluorescent Tube (VFT) Driver Circuit

The 87C874/H74 features built-in high-breakdown voltage output buffers for directly driving fluorescent tubes, and a display control circuit used to automatically transfer display data to the output port.

The segment and the digit, as it is the VFT drive circuit which included in the usual products, are not allocated. The segment and the digit can be freely allocated in the timing (T0 to T15) which is specified according to the display tube types and the layout.

### 2.12.1 Functions

- (1) 37 high-breakdown voltage output buffers built-in.
  - Large current output pin (typ. 20mA) 16 (V0 to V15)
  - Middle current output pin (typ. 8mA) 21 (V16 to V36)
 There is also the VKK pin used for the VFT drive power supply.
- (2) The dynamic lighting system makes it possible to select 1 to 16 digits (T0 to T15) by program.
- (3) Pins not used for VFT driver can be used as general-purpose ports.
  - Pins can be selected using the VSEL (bits 4 to 0) in VFT control register1 bit by bit.
- (4) Display data (80 bytes in DBR) are automatically transferred to the VFT output pin.
- (5) Brightness level can be adjusted in 8 steps using the dimmer function.
- (6) Four types ( $fc/2^{12}$  to  $fc/2^9$ ) of display time can be selected.

### 2.12.2 Configuration

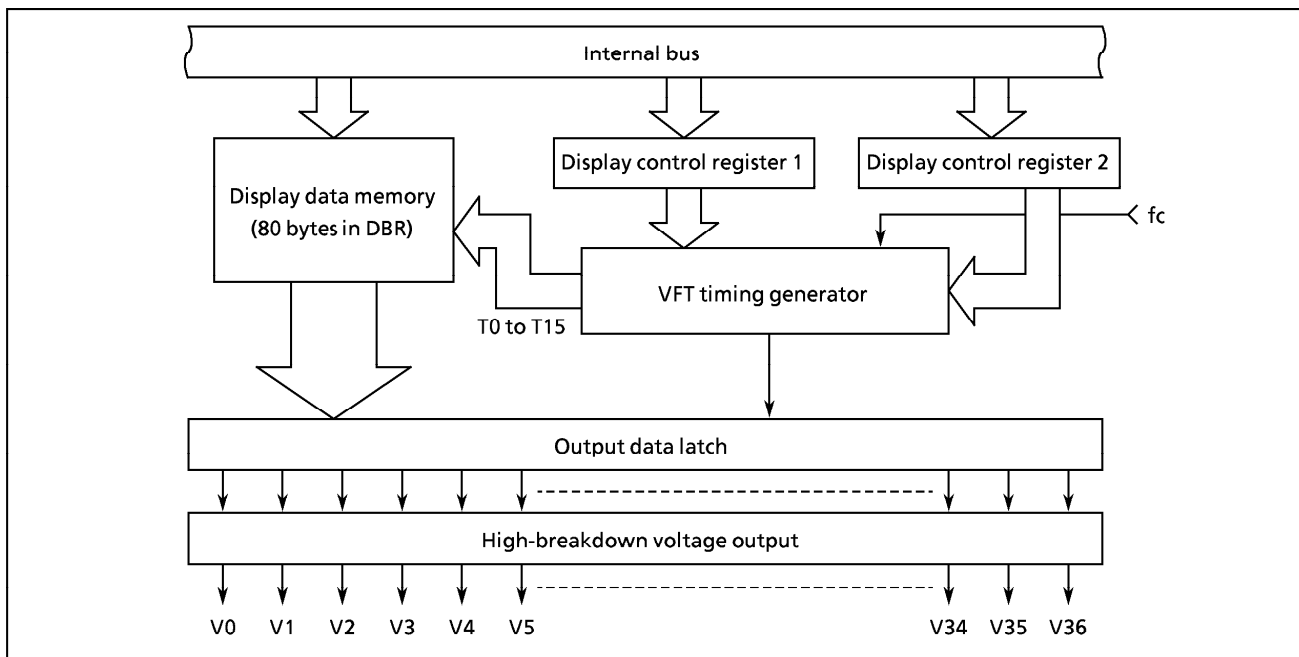


Figure 2-51.

2.12.3 Control

The VFT driver circuit is controlled by the VFT control registers (VFTCR1, VFTCR2). Reading VFTSR determines the VFT operating status.

Switching the mode from NORMAL1/2 to SLOW or STOP puts the VFT driver circuit into blanking state (BLK is set to "1" and EXEY is cleared to "0" ; values set in the VFT control registers except BLK and EKEY are maintained), and sets segment outputs and digit outputs are cleared to "0". Thus, ports P6 to P9, and PD function as general-purpose output ports with pull-down.

VFT control register 1

VFTCR1 (0029 <sub>H</sub> )	7	6	5	4	3	2	1	0	
	BLK	SDT				VSEL			(initial value: 1000 0000)

BLK	VFT display control	0 : Display enable 1 : Disable	write only
SDT	Display time select (tdisp) (Display time of 1 digit)	00 : 2 <sup>9</sup> /fc 01 : 2 <sup>10</sup> /fc 10 : 2 <sup>11</sup> /fc 11 : 2 <sup>12</sup> /fc	
VSEL	Automatic display select (When using VFT driver (automatic display), V31 to V0 are only used to output VFT.) Pins which are not selected by the output pins other than the above-mentioned pins can be used as general- purpose input/output pins. (When using as a general- purpose input/output pin, the display data which corresponds to the pin must be set to "0" )	00000 : 32 (V31 to V0) 00001 : 33 (V32 to V0) 00010 : 34 (V33 to V0) 00011 : 35 (V34 to V0) 00100 : 36 (V35 to V0) 00101 : 37 (V36 to V0)	

Note 1 : fc ; high frequency clock  
 Note 2 : VFTCR1 is write-only register, which cannot use any of in read-modify-write instruction such as bit operate, etc.

Figure 2-80. VFT Control Register 1

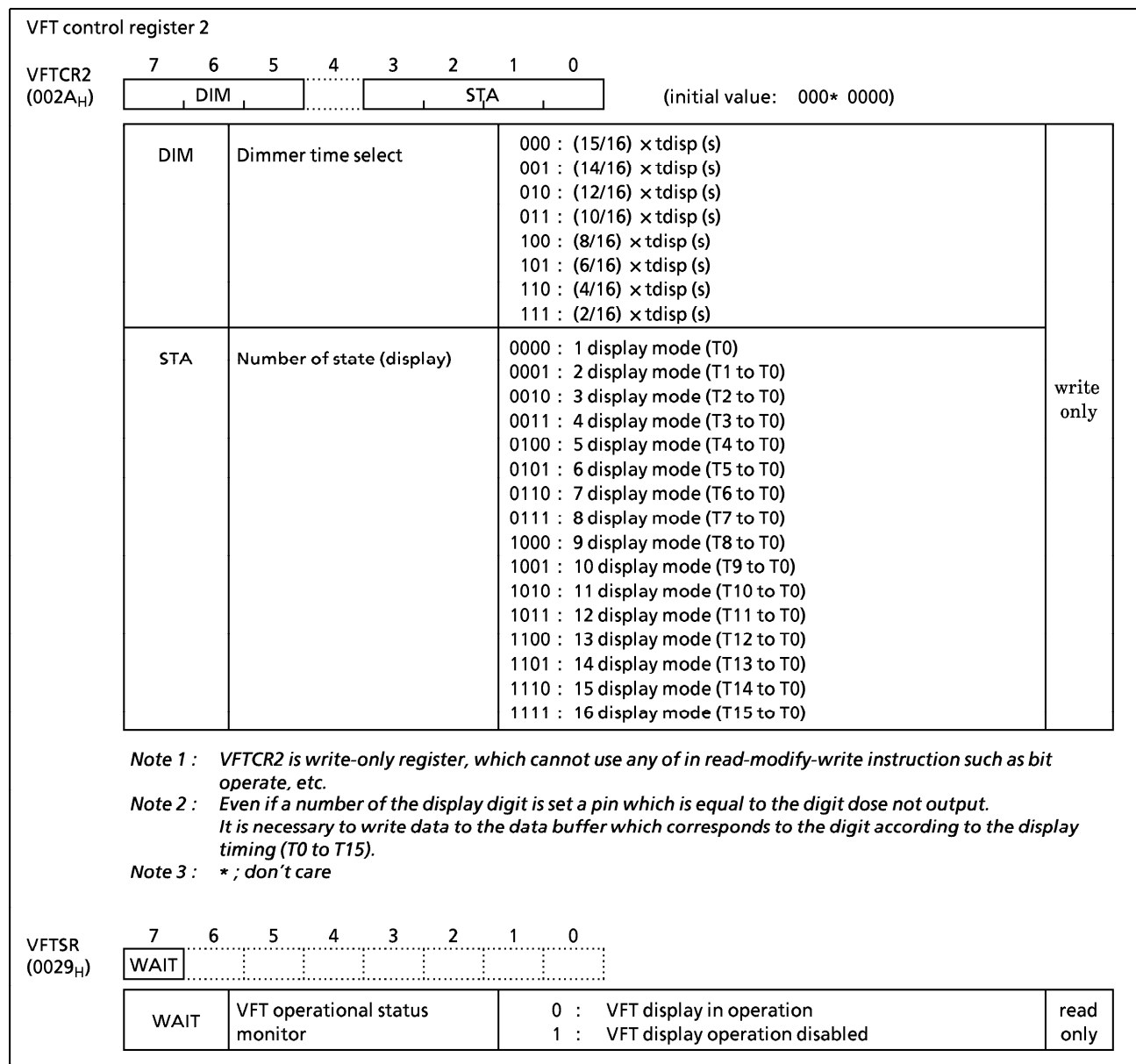


Figure 2-81. VFT control Register 2, VFT status register

(1) Setting of Display mode

VFT display mode is set by VFT control register 1 (VFTCR1) and VFT control register 2 (VFTCR2). VFT control register 1 (VFTCR1) sets 1 display time (tdisp) and the number of display lines (VSEL), and VFT control register 2 (VFTCR2) sets dimmer timer (DIM) and state (STA). (BLK of VFTCR1 must be set to "1".) The segments and the digits are not fixed, so that they can be freely allocated. However the number of states must be specified according to the number of digits of VFT which you use. Though the layout of VFT display mode is freely allocated, the followings are recommended; usually, large current output (V0 to V15) is used for a digit, and middle current output (V16 to V36) is used for a segment.

(See Display operation in section 2.12.4 for display timing and data setting procedures.)



(2) Display data setting

Data are converted into VFT display data by instructions. The converted data stored in the display data buffer (addresses 0F80 to 0FCF in DBR) are automatically transferred to the VFT driver circuit, then transferred to the high-breakdown voltage output buffer. Thus, to change the display pattern, just change the data in the display data buffer.

Bits in the VFT segment (dot) and display data area correspond one to one. When data are set to 1, the segments corresponding to the bits light. The display data buffer is assigned to the DBR area shown in Figure 2-82. (The display data buffer can not be used as data memory)

bit	0 to 7	0 to 7	0 to 7	0 to 7	0 to 4	Timing
	0F80 <sub>H</sub>	0F90 <sub>H</sub>	0FA0 <sub>H</sub>	0FB0 <sub>H</sub>	0FC0 <sub>H</sub>	T0
	0F81 <sub>H</sub>	0F91 <sub>H</sub>	0FA1 <sub>H</sub>	0FB1 <sub>H</sub>	0FC1 <sub>H</sub>	T1
	0F82 <sub>H</sub>	0F92 <sub>H</sub>	0FA2 <sub>H</sub>	0FB2 <sub>H</sub>	0FC2 <sub>H</sub>	T2
	0F83 <sub>H</sub>	0F93 <sub>H</sub>	0FA3 <sub>H</sub>	0FB3 <sub>H</sub>	0FC3 <sub>H</sub>	T3
	0F84 <sub>H</sub>	0F94 <sub>H</sub>	0FA4 <sub>H</sub>	0FB4 <sub>H</sub>	0FC4 <sub>H</sub>	T4
	0F85 <sub>H</sub>	0F95 <sub>H</sub>	0FA5 <sub>H</sub>	0FB5 <sub>H</sub>	0FC5 <sub>H</sub>	T5
	0F86 <sub>H</sub>	0F96 <sub>H</sub>	0FA6 <sub>H</sub>	0FB6 <sub>H</sub>	0FC6 <sub>H</sub>	T6
	0F87 <sub>H</sub>	0F97 <sub>H</sub>	0FA7 <sub>H</sub>	0FB7 <sub>H</sub>	0FC7 <sub>H</sub>	T7
	0F88 <sub>H</sub>	0F98 <sub>H</sub>	0FA8 <sub>H</sub>	0FB8 <sub>H</sub>	0FC8 <sub>H</sub>	T8
	0F89 <sub>H</sub>	0F99 <sub>H</sub>	0FA9 <sub>H</sub>	0FB9 <sub>H</sub>	0FC9 <sub>H</sub>	T9
	0F8A <sub>H</sub>	0F9A <sub>H</sub>	0FAA <sub>H</sub>	0FBA <sub>H</sub>	0FCA <sub>H</sub>	T10
	0F8B <sub>H</sub>	0F9B <sub>H</sub>	0FAB <sub>H</sub>	0FBB <sub>H</sub>	0FCB <sub>H</sub>	T11
	0F8C <sub>H</sub>	0F9C <sub>H</sub>	0FAC <sub>H</sub>	0FBC <sub>H</sub>	0FCC <sub>H</sub>	T12
	0F8D <sub>H</sub>	0F9D <sub>H</sub>	0FAD <sub>H</sub>	0FBD <sub>H</sub>	0FCD <sub>H</sub>	T13
	0F8E <sub>H</sub>	0F9E <sub>H</sub>	0FAE <sub>H</sub>	0FBE <sub>H</sub>	0FCE <sub>H</sub>	T14
	0F8F <sub>H</sub>	0F9F <sub>H</sub>	0FAF <sub>H</sub>	0FBF <sub>H</sub>	0FCF <sub>H</sub>	T15
output pin	V0 to V7	V8 to V15	V16 to V23	V24 to V31	V32 to V36	

Figure 2-82. VFT Display Data Buffer Memory (DBR)

2.12.4 Display Operation

As the above-mentioned, the segment and the digit are not allocated. After setting of the display timing for the number of digits according to the using VFT and storing the segment and digit data according to the respective timings, clearing BLK in VFTCR1 to 0 starts VFT display.

Figure 2-83. shows the VFT drive pulse and Figure 2-84, 85 show the display operation.

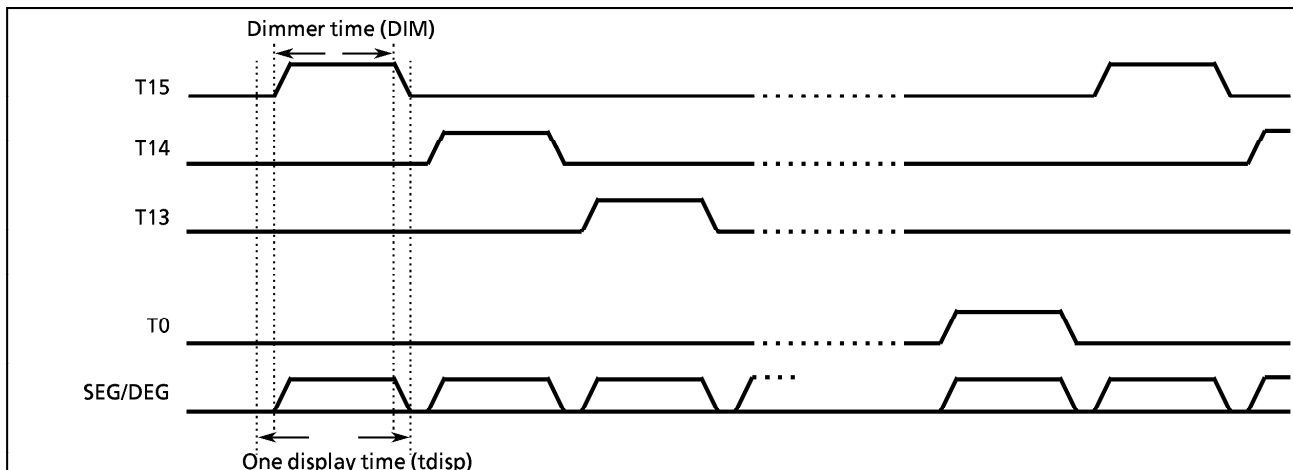


Figure 2-83. VFT Drive Waveform and Display timing

2.12.5 Example of Display operation

(1) For Conventional type VFT

When using the conventional type VFT, the output timing of the digits is specified to output 1 digit for 1 timing. Data must be set to output the pins which are specified to the digit in sequence. The following figure shows a data allocation of the display data buffer (DBR) and the output timing when VFT of 10 digits is used and V0 to V9 pins are allocated as the digit outputs. (When data is first written by the data buffer which corresponds to the digit pin, it is unnecessary to rewrite the data later.)

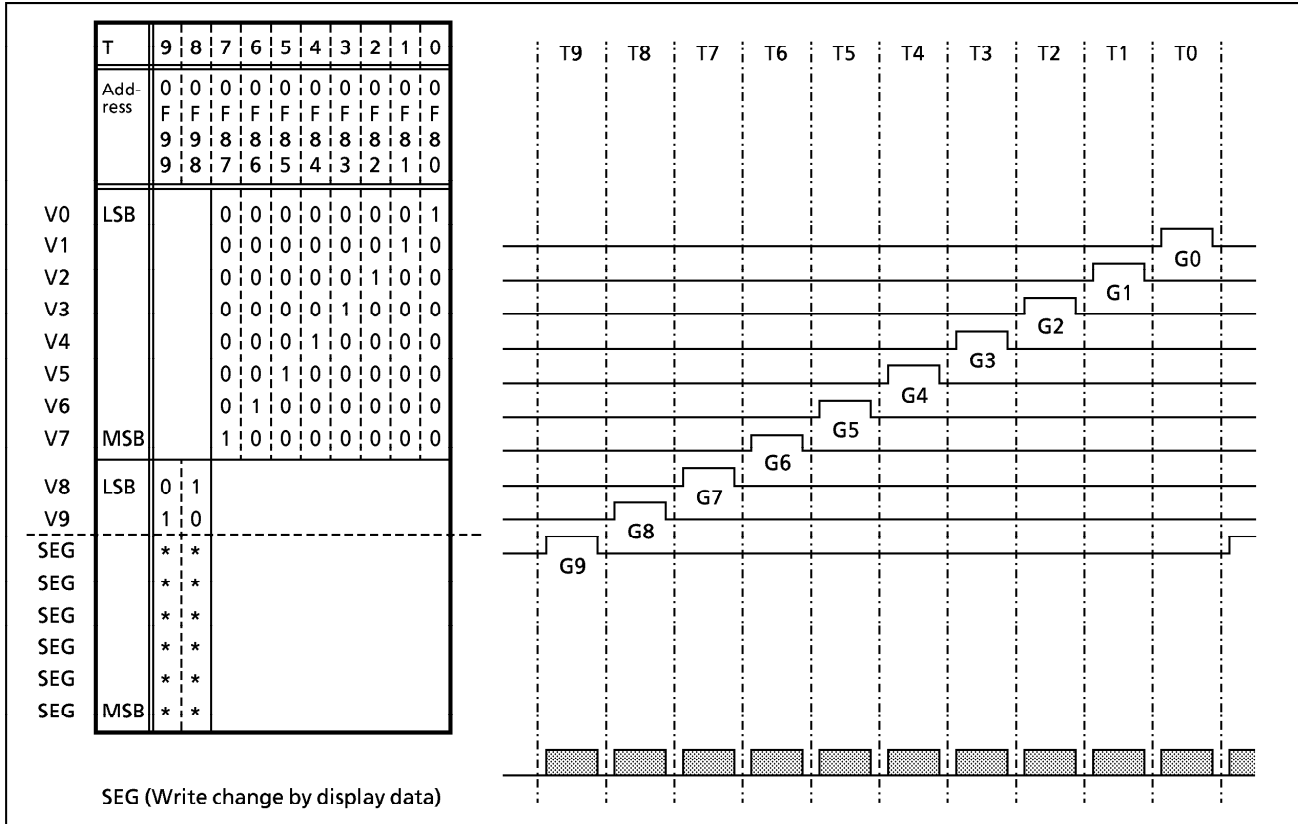


Figure 2-84. Example of Conventional type VFT driver pulse

(2) For Grid scan type VFT

When using the grid scan type VFT, two or more grids must be simultaneously selected to turn the display pattern which contains two or more grids on. Additionally, the timing and the data must be determined to set the grid scan mode as follows.

- When the display pattern which is fully set in the respective grids is turned on, only the grids which correspond as ever must be scanned in sequence to turn on the display pattern. (timing of T8 to T3 in the following figure)
- When the display pattern which contains two or more grids is turned on, two or more corresponding grids are simultaneously selected to turn on the display pattern. (timing of T2 to T0 in the following figure)

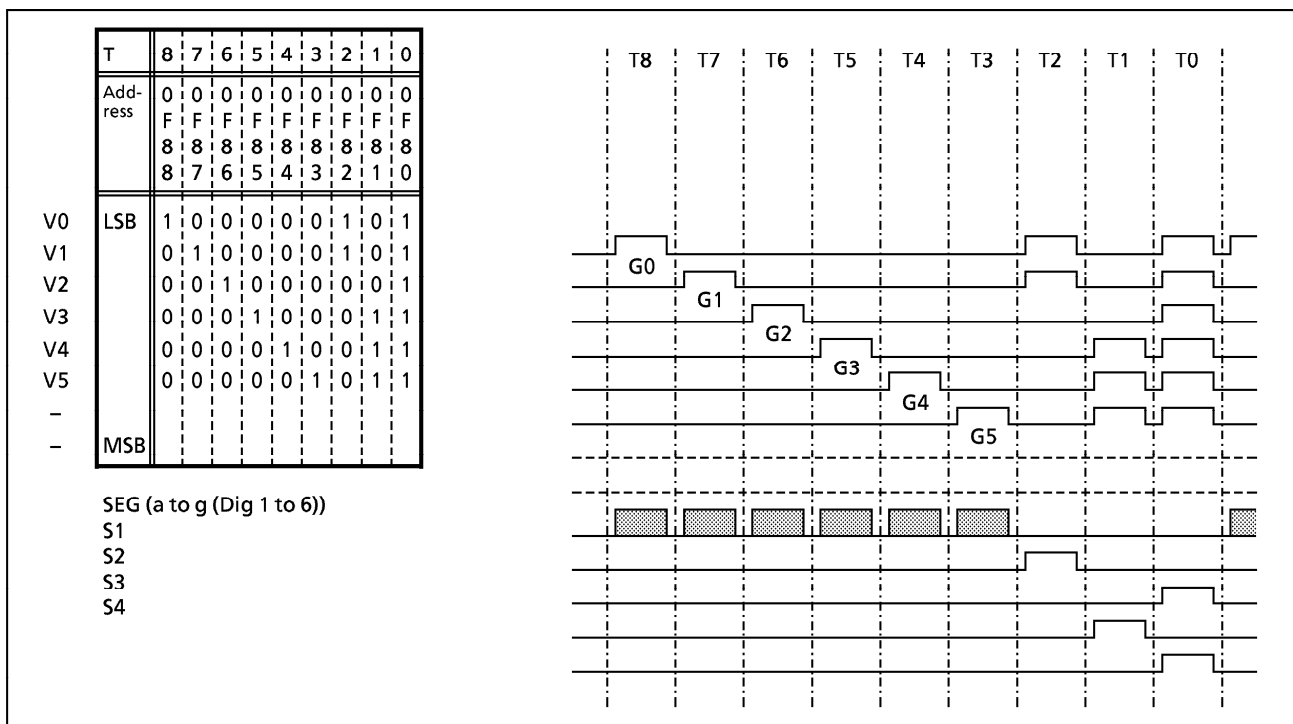


Figure 2-85. Grid Scan Type Display Vacuum Fluorescent Tube Ware

## 2.12.6 Port Function

### (1) High-breakdown voltage buffer

To drive fluorescent display tube, clears the port output latch to "0". The port output latch is initialized to 0 at reset.

It is recommended that ports P6, P7, P8 and P9 should be used as VFT driver output. Precaution for using as general-purpose I/O pins are follows.

*Note : When not using a pin which is pulled down to pin  $V_{KK}$  ( $R_K = \text{typ. } 80 \text{ k}\Omega$ ), it must be set to open. It is necessary to clear the port output latch and the data buffer memory (DBR) to "0".*

#### ① Ports P6 to P9

When a part of P6 to P9 is used as the input/output pin (VFT driver in operation), the data buffer memory (DBR) of the segment which is also used as the input/output pin must be cleared to "0".

#### ② Port PD

VFT output and usual input/output are controlled by VSEL of VFT control register in bits. When a pin which is pulled down to pin  $V_{KK}$  is used as usual output or input, the following cautions are required.

#### (a) When outputting

When level "L" is output, a port which is pulled down to pin  $V_{KK}$  is pin  $V_{KK}$  voltage. Such processes as clamping with the diode as shown in figure 2-86. (a) are necessary to prevent pin  $V_{KK}$  voltage applying to the external circuit.

#### (b) When inputting

When the external data is input, the port output latch is cleared to "0".

The input threshold is the same as that of the other usual input/output port. However it is necessary to drive  $R_K$  (typ.  $80 \text{ k}\Omega$ ) sufficiently because of pulled down to pin  $V_{KK}$ .

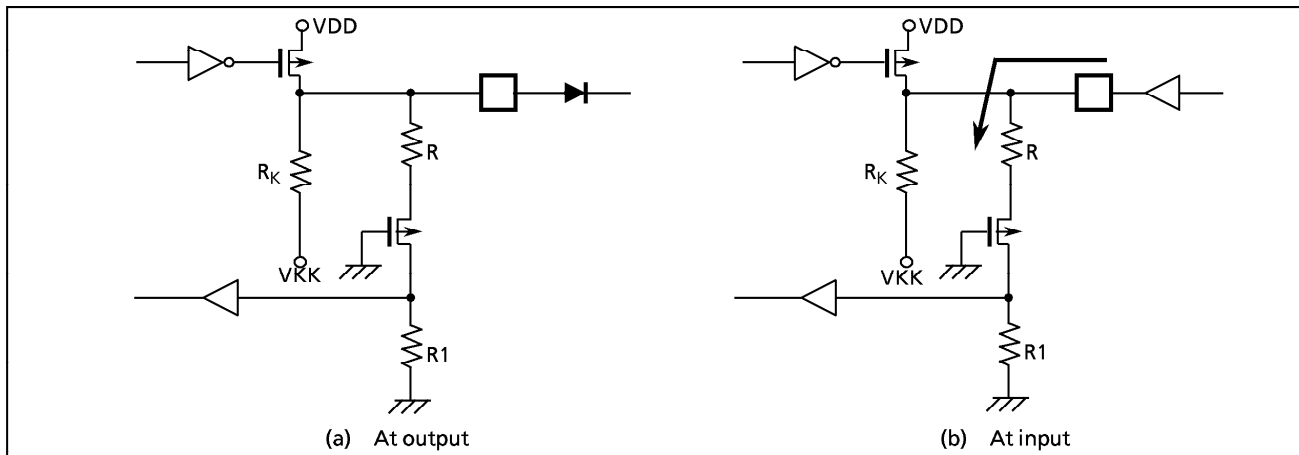


Figure 2-86. External Circuit Interface

INPUT/OUTPUT CIRCUITRY

(1) Control pins

The input/output circuitries of the 87C874/H74 control pins are shown below.

Please specify either the single-clock mode (oscillation only XIN/XOUT) or the dual-clock mode (oscillation both XIN/XOUT and XTIN/XTOUT) by a code (NM1 or NM2) as an option for an operating mode during reset.

CONTROL PIN	I/O	INPUT/OUTPUT CIRCUITRY and code	REMARKS
XIN XOUT	Input Output		Resonator connecting pins (high-frequency) $R_f = 1.2\text{ M}\Omega$ (typ.) $R_o = 1.5\text{ k}\Omega$ (typ.)
XTIN XTOUT	Input Output	NM1	Resonator connecting pins (low-frequency) $R_f = 6\text{ M}\Omega$ (typ.) $R_o = 220\text{ k}\Omega$ (typ.)
		Refer to port P2	
$\overline{\text{RESET}}$	I/O		Sink open drain output Hysteresis input Pull-up resistor $R_{IN} = 220\text{ k}\Omega$ (typ.) $R = 1\text{ k}\Omega$ (typ.)
$\overline{\text{STOP}} / \overline{\text{INT5}}$	Input		Hysteresis input $R = 1\text{ k}\Omega$ (typ.)
TEST	Input		Pull-down resistor $R_{IN} = 70\text{ k}\Omega$ (typ.) $R = 1\text{ k}\Omega$ (typ.)

Note1 : The TEST pin of the 87PM74 does not have a pull-down resistor.

Note2 : The 87PM74 is placed in the single-clock mode during reset, and the input/output circuitries are the code NMI type.

(2) - ① Input/Output Ports

The input/output circuitries of the 87C874/H74 input / output ports are shown below, any one of the circuitries can be chosen by a code (A or D) as a mask option.

PORT	I/O	INPUT / OUTPUT CIRCUITRY (CODE A)	REMARKS
P0 P1	I/O	<p>initial "Hi-Z"</p>	<p>Tri-state I/O Hysteresis input</p> <p>High current output (P0, P10 to P14) R = 1 kΩ (typ.)</p>
P2	I/O	<p>initial "Hi-Z"</p>	<p>Sink open drain output High current output</p> <p>R = 1 kΩ</p>
P3	I/O	<p>initial "Hi-Z"</p>	<p>Sink open drain output</p> <p>Hysteresis input R = 1 kΩ (typ.)</p>
P4 P5	I/O	<p>initial "Hi-Z"</p>	<p>Tri-state I/O</p> <p>R = 1 kΩ (typ.)</p>
P6 P7 P8 P9	I/O	<p>initial "Hi-Z"</p>	<p>Source open drain output</p> <p>High-breakdown voltage</p> <p><math>R_K = 80\text{ k}\Omega</math> (typ.) R = 1 kΩ (typ.) R1 = 200 kΩ (typ.)</p>

Note : The input/output circuitries of the 87PM74 I/O ports are the code A type.

(2) - ② Input/Output Ports

PORT	I/O	INPUT/OUTPUT CIRCUITRY and CODE		REMARKS
PD	I/O	A	D	Source open drain output  High-breakdown voltage $R_K = 80\text{ k}\Omega$ (typ.) $R = 1\text{ k}\Omega$ (typ.) $R_1 = 200\text{ k}\Omega$ (typ.)

## ELECTRICAL CHARACTERISTICS

## ABSOLUTE MAXIMUM RATINGS

 $(V_{SS} = 0V)$ 

PARAMETER	SYMBOL	PINS	RATINGS	UNIT
Supply Voltage	$V_{DD}$		- 0.3 to 6.5	V
Input Voltage	$V_{IN}$		- 0.3 to $V_{DD} + 0.3$	V
Output Voltage	$V_{OUT1}$	P2, P3, P4, P5, XOUT, RESET	- 0.3 to $V_{DD} + 0.3$	V
	$V_{OUT3}$	Source open drain ports	$V_{DD} - 40$ to $V_{DD} + 0.3$	
Output Current (Per 1 pin)	$I_{OUT1}$	P15 to P17, P3, P4, P5	3.2	mA
	$I_{OUT2}$	P0, P10 to P14, P2	30	
	$I_{OUT3}$	P8, P9, PD	- 12	
	$I_{OUT4}$	P6, P7	- 25	
Output Current (Total)	$\Sigma I_{OUT1}$	P15 to P17, P3, P4, P5	60	mA
	$\Sigma I_{OUT2}$	P0, P10 to P14, P2	160	
	$\Sigma I_{OUT3}$	P6, P7, P8, P9, PD	- 200	
Power Dissipation [Topr = 25 °C]	PD	Note	1200	mW
Soldering Temperature (time)	Tsld		260 (10 s)	°C
Storage Temperature	Tstg		- 55 to 125	°C
Operating Temperature	Topr		- 30 to 70	°C

Note : Power Dissipation (PD) ; For PD, it is necessary to decrease 14.3 mw/°C.

## RECOMMENDED OPERATING CONDITIONS

 $(V_{SS} = 0V, Topr = - 30 \text{ to } 70^{\circ}\text{C})$ 

PARAMETER	SYMBOL	PINS	CONDITIONS	Min.	Max.	UNIT
Supply Voltage	$V_{DD}$		$f_c = 8 \text{ MHz}$	NORMAL 1, 2 modes	4.5	V
				IDLE1, 2 modes		
			$f_s = 32.768 \text{ kHz}$	SLOW mode	2.7	
				SLEEP mode		
		STOP mode	2.0			
Output Voltage	$V_{OUT3}$	Source open drain ports		$V_{DD} - 38$	$V_{DD}$	V
Input High Voltage	$V_{IH1}$	Except hysteresis input	$V_{DD} \geq 4.5 \text{ V}$	$V_{DD} \times 0.70$	$V_{DD}$	V
	$V_{IH2}$	Hysteresis input		$V_{DD} \times 0.75$		
	$V_{IH3}$		$V_{DD} < 4.5 \text{ V}$	$V_{DD} \times 0.90$		
Input Low Voltage	$V_{IL1}$	Except hysteresis input	$V_{DD} \geq 4.5 \text{ V}$	0	$V_{DD} \times 0.30$	V
	$V_{IL2}$	Hysteresis input			$V_{DD} \times 0.25$	
	$V_{IL3}$		$V_{DD} < 4.5 \text{ V}$		$V_{DD} \times 0.10$	
Clock Frequency	$f_c$	XIN, XOUT	$V_{DD} = 4.5 \text{ V to } 5.5 \text{ V}$	0.4	8.0	MHz
			$V_{DD} = 2.7 \text{ V to } 5.5 \text{ V}$		4.2	
	$f_s$	XTIN, XTOUT		30.0	34.0	kHz

Note : Clock frequency  $f_c$  : Supply voltage range is specified in NORMAL 1/2 mode and IDLE 1/2 mode.



## How to calculate power consumption.

With the TMP87C874/H74, a pull-down resistor ( $R_k = 80 \text{ k}\Omega$  typ.) can be built into a VFT driver using mask option. The share of VFT driver loss (VFT driver output loss + pull-down resistor ( $R_k$ ) loss) in power consumption  $P_{\max}$  is high. When using a fluorescent display tube with a large number of segments, the maximum power consumption  $P_d$  must not be exceeded.

power consumption  $P_{\max} =$  operating power consumption + normal output port loss + VFT driver loss

Where,

operating power consumption :  $V_{DD} \times I_{DD}$   
 LED output loss :  $I_{OL3} \times V_{OL}$   
 VFT driver loss : VFT driver output loss + pull-down resistor ( $R_k$ ) loss

Example:

When  $T_a = 10$  to  $50 \text{ }^\circ\text{C}$  (When using a fluorescent display tube with a conventional type) and a fluorescent display tube with segment output =  $3 \text{ mA}$ , digit output =  $15 \text{ mA}$ ,  $V_{xx} = -25 \text{ V}$  is used.

Operating conditions:  $V_{DD} = 5 \text{ V} \pm 10 \%$ ,  $f_c = 8 \text{ MHz}$ , VFT dimmer time (DIM) =  $(14/16) \times t_{\text{seg}}$ :

Power consumption  $P_{\max} = (1) + (2) + (3)$

Where,

(1) Operating power consumption :  $V_{DD} \times I_{DD} = 5.5 \text{ V} \times 16 \text{ mA} = 88 \text{ mW}$   
 (2) LED output :  $10 \text{ mA} \times 1.0 \text{ V} \times 4 = 40 \text{ mW}$  (when using four LED)  
 (3) VFT driver loss : segment pin =  $3 \text{ mA} \times 2 \text{ V} \times \text{number of segments } X = 6 \text{ mW} \times X$   
 digit pin =  $15 \text{ mA} \times 2 \text{ V} \times 14/16 \text{ (DIM)} = 26.25 \text{ mW}$   
 $R_k$  loss =  $(5.5 + 25 \text{ V})^2 / 50 \text{ k}\Omega \times (\text{number of segments } X + 1) = 18.605 \text{ mW} \times (X + 1)$

Therefore,  $P_{\max} = 88 \text{ mW} + 48 \text{ mW} + 6 \text{ mW} \times X + 18.605 \text{ mW} \times (X + 1) = 152.605 \text{ mW} + 24.605X \dots$

Maximum power consumption  $P_d$  when  $T_a = 50 \text{ }^\circ\text{C}$  is determined by the following equation:

$P_D = 1200 \text{ mW} - (14.3 \times 25) = 842.5 \text{ mW}$

The number of segments  $X$  which can be lit is:

$P_D > P_{\max}$

$842.5 \text{ mW} > 152.605 + 24.605 X$

$28 > X$

Thus, a fluorescent display tube with less than 28 segments can be used. If a fluorescent display tube with 28 segments or more is used, either a pull-down resistor must be attached externally, or the number of segments to be lit must be kept to less than 28 by software.

D.C. CHARACTERISTICS		(V <sub>SS</sub> = 0 V, T <sub>opr</sub> = -30 to 70 °C)					
PARAMETER	SYMBOL	PINS	CONDITIONS	Min.	Typ.	Max.	UNIT
Hysteresis Voltage	V <sub>HS</sub>	Hysteresis input		-	0.9	-	V
Input Current	I <sub>IN1</sub>	TEST	V <sub>DD</sub> = 5.5 V V <sub>IN</sub> = 5.5 V/0 V	-	-	± 2	μA
	I <sub>IN2</sub>	Open drain ports, Tri-state ports					
	I <sub>IN3</sub>	RESET, STOP					
	I <sub>IN4</sub>	PD ports (Note3)					
Input Resistance	R <sub>IN2</sub>	RESET		100	220	450	kΩ
Pull-down Resistance	R <sub>K</sub>	Source open drain ports	V <sub>DD</sub> = 5.5 V, V <sub>KK</sub> = -30 V	50	80	110	
Output Leakage Current	I <sub>LO1</sub>	Sink open drain ports	V <sub>DD</sub> = 5.5 V, V <sub>OUT</sub> = 5.5 V	-	-	2	μA
	I <sub>LO2</sub>	Source open drain ports and tri-state ports	V <sub>DD</sub> = 5.5 V, V <sub>OUT</sub> = -32 V	-	-	-2	
	I <sub>LO3</sub>	Tri-state ports	V <sub>DD</sub> = 5.5 V, V <sub>OUT</sub> = 5.5V/0V	-	-	± 2	
Output High Voltage	V <sub>OH2</sub>	Tri-state ports	V <sub>DD</sub> = 4.5 V, I <sub>OH</sub> = -0.7 mA	4.1	-	-	V
	V <sub>OH3</sub>	P8, P9, PD	V <sub>DD</sub> = 4.5 V, I <sub>OH</sub> = -8 mA	2.4	-	-	
Output Low Voltage	V <sub>OL</sub>	Except XOUT, P0, P10 to P14, P2	V <sub>DD</sub> = 4.5 V, I <sub>OL</sub> = 1.6 mA	-	-	0.4	V
Output Low Current	I <sub>OL3</sub>	P0, P10 to P14, P2	V <sub>DD</sub> = 4.5 V, V <sub>OL</sub> = 1.0 V	-	20	-	mA
Output High Current	I <sub>OH</sub>	P6, P7	V <sub>DD</sub> = 4.5 V, V <sub>OH</sub> = 2.4 V	-	-20	-	mA
Supply Current in NORMAL 1, 2 modes	I <sub>DD</sub>		V <sub>DD</sub> = 5.5 V f <sub>c</sub> = 8 MHz	-	10	14	mA
Supply Current in IDLE 1, 2 modes			f <sub>s</sub> = 32.768 kHz V <sub>IN</sub> = 5.3 V/0.2 V	-	6	9	
Supply Current in SLOW mode			V <sub>DD</sub> = 3.0 V f <sub>s</sub> = 32.768 kHz	-	30	60	μA
Supply Current in SLEEP mode			V <sub>IN</sub> = 2.8 V/0.2 V	-	15	30	
Supply Current in STOP mode			V <sub>DD</sub> = 5.5 V V <sub>IN</sub> = 5.3 V/0.2 V	-	0.5	10	

Note 1 : Typical values show those at T<sub>opr</sub> = 25 °C, V<sub>DD</sub> = 5V.

Note 2 : Input Current I<sub>IN1</sub>, I<sub>IN3</sub>; The current through resistor is not included, when the input resistor (pull-up/pull-down) is contained.

Note 3 : Input Current I<sub>IN4</sub>; The current when the pull-down register (R<sub>K</sub>) is not connected by the mask option.

A/D CONVERSION CHARACTERISTICS		(V <sub>SS</sub> = 0 V, V <sub>DD</sub> = 4.5 to 6.0 V, T <sub>opr</sub> = -30 to 70 °C)					
PARAMETER	SYMBOL	CONDITIONS	Min.	Typ.	Max.	UNIT	
Analog Reference Voltage	V <sub>AREF</sub>	V <sub>AREF</sub> - V <sub>ASS</sub> ≥ 2.5 V	V <sub>DD</sub> - 1.5	-	V <sub>DD</sub>	V	
	V <sub>ASS</sub>		V <sub>SS</sub>				
Analog Input Voltage	V <sub>AIN</sub>		V <sub>ASS</sub>	-	V <sub>AREF</sub>	V	
Analog Supply Current	I <sub>REF</sub>	V <sub>AREF</sub> = 5.5 V, V <sub>ASS</sub> = 0.0 V	-	0.5	1.0	mA	
Nonlinearity Error		V <sub>DD</sub> = 5.0V, V <sub>SS</sub> = 0.0V V <sub>AREF</sub> = 5.000V V <sub>ASS</sub> = 0.000V	-	-	± 1	LSB	
Zero Point Error			-	-	± 1		
Full Scale Error			-	-	± 1		
Total Error			-	-	± 2		

Note : Total errors includes all errors, except quantization error.

## A.C. CHARACTERISTICS

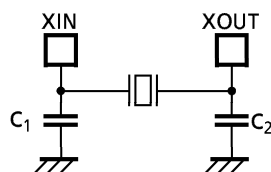
 $(V_{SS} = 0V, V_{DD} = 4.5 \text{ to } 5.5V, T_{opr} = -30 \text{ to } 70^\circ\text{C})$ 

PARAMETER	SYMBOL	CONDITIONS	Min.	Typ.	Max.	UNIT
Machine Cycle Time	$t_{cy}$	In NORMAL 1, 2 modes	0.5	-	10	$\mu\text{s}$
		In IDLE 1, 2 modes				
		In SLOW mode	117.6	-	133.3	
		In SLEEP mode				
High Level Clock Pulse Width	$t_{WCH}$	For external clock operation	50	-	-	ns
Low Level Clock Pulse Width	$t_{WCL}$	(XIN input), $f_c = 8 \text{ MHz}$				
High Level Clock Pulse Width	$t_{WSH}$	For external clock operation	14.7	-	-	$\mu\text{s}$
Low Level Clock Pulse Width	$t_{WSL}$	(XTIN input), $f_s = 32.768 \text{ kHz}$				

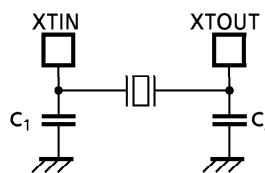
## RECOMMENDED OSCILLATING CONDITIONS

 $(V_{SS} = 0V, V_{DD} = 4.5 \text{ to } 5.5V, T_{opr} = -30 \text{ to } 70^\circ\text{C})$ 

PARAMETER	Oscillator	Oscillation Frequency	Recommended Oscillator	Recommended Constant	
				$C_1$	$C_2$
High-frequency Oscillation	Ceramic Resonator	8 MHz	KYOCERA KBR8.0M	30pF	30pF
		4 MHz	KYOCERA KBR4.0MS		
	Crystal Oscillator		8 MHz	TOYOCOM 210B 8.0000	20pF
		4 MHz	TOYOCOM 204B 4.0000		
Low-frequency Oscillation	Crystal Oscillator	32.768 KHz	NDK MX-38T	15pF	15pF



(1) High-frequency Oscillation



(2) Low-frequency Oscillation

**Note :** An electrical shield by metal shield plate on the surface of IC package should be recommendable in order to prevent the device from the high electric fieldstress applied from CRT (Cathode Ray Tube) for continuous reliable operation.

