

U 2505 B · U 2506 B-FP · Front end amplifier for infrared remote control systems with carrier frequencies of about 400 kHz

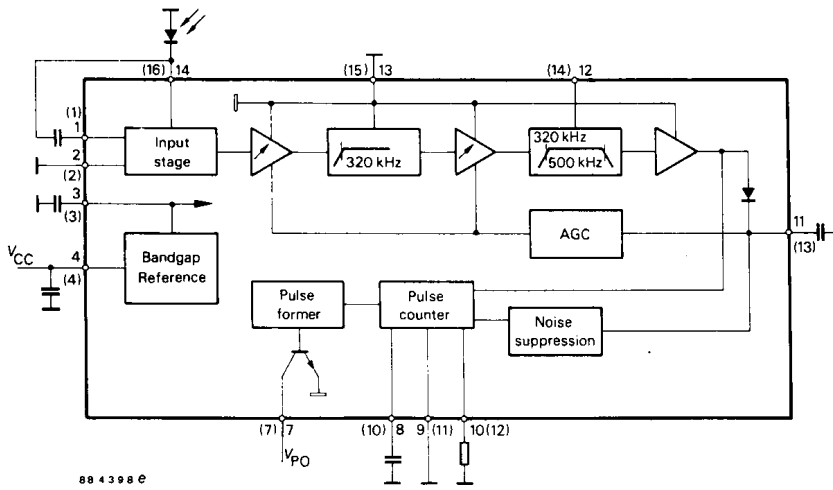
Supply voltage range	V_S	4.5 ... 6	V
Supply current	I_S	2	mA

Features:

- Low power consumption
- On-chip reference voltage
- Few external components
- Automatic gain control
- μ C-compatible demodulated output signal

Case:

DIP 14 (U 2505 B)
 Dimensions see page 105
 Number 6
 or
 SO 16 (U 2506 B-FP)
 Dimensions see page 109
 Number 18



www.DataSheet4U.com