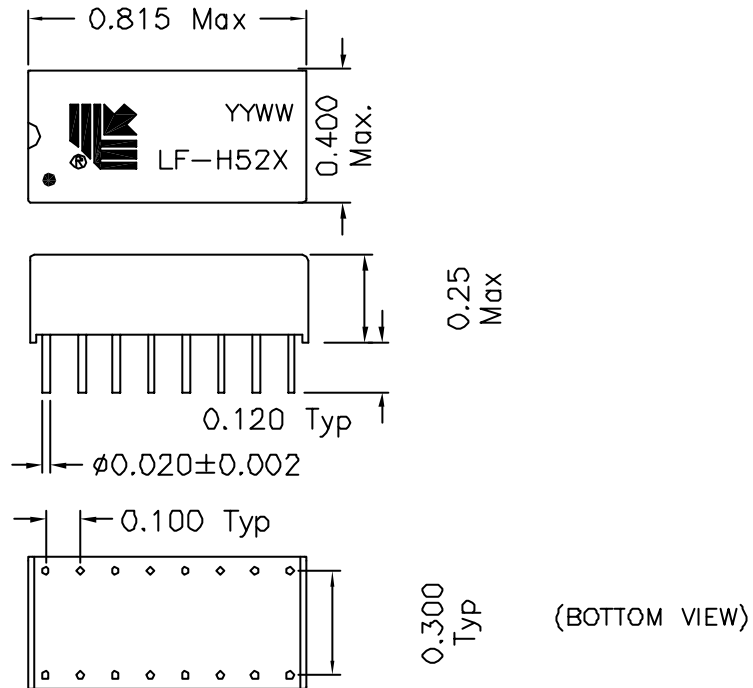


10/100BASE-TX SINGLE PORT DIL PACKAGE MAGNETICS

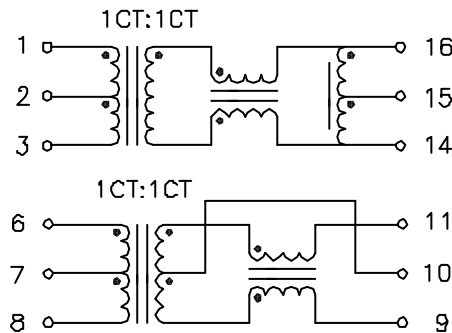
Electrical Specifications: @25

Isolation Voltage: 1500 Vrms (INPUT to OUTPUT)
 Trun Ratio: (1-2-3):(16-15-14)=1CT:1CT ±3%
 Turn Ratio: (6-7-8):(11-10-9)=1CT:1CT ±3%
 OCL: 350uH Minimum @100KHz 100mV 8mADC
 Rise Time: 2.5ns Typical
 Cw/w: 20pF Typical @100KHz 100mV
 Leakage Inductance: 0.4uH Maximum @100KHz 100mV
 Insertion Loss (100KHz~100MHz) : -1.0dB Maximum
 Return Loss: -18dB Minimum @1MHz ~ 30MHz
 -15dB Minimum @40MHz ~ 50MHz
 -12dB Minimum @60MHz ~ 80MHz
 CMRR: -40dB Typical @100KHz -100MHz
 Crosstalk: -38dB Minimum @100KHz -100MHz

Mechanicals:



Schematics:



Specification subject to change without notice

P/N: LF-H52X	DIMENSIONS IN INCH	Unless otherwise specified Dim. Tolerances are: .xxx ±0.010	REV: A1	DRWN:	DATE: 03-10-01
	SCALE: NONE		PAGE: 1/1	APPD:	DATE: