



东莞市华远电子有限公司

DONG GUAN SHI HUA YUAN ELECTRON CO.,LTD.

TEL: 86-769-5335378 86-769-5305266 FAX: 86-769-5316189

SOT-23 Plastic-Encapsulate Transistors

2SA1235A TRANSISTOR (PNP)

FEATURES

Power dissipation

$$P_{CM} : 0.2 \text{ W (} T_{amb}=25 \text{)}$$

Collector current

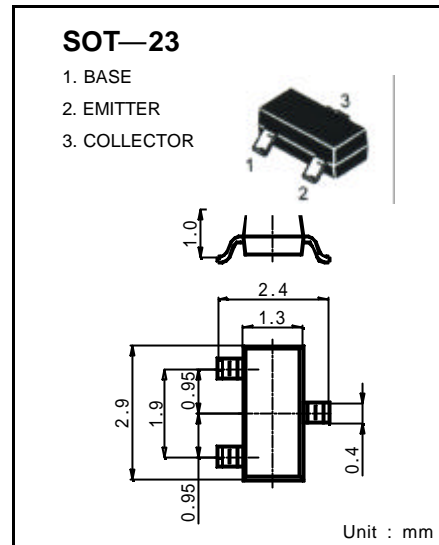
$$I_{CM} : -0.2 \text{ A}$$

Collector-base voltage

$$V_{(BR) CBO} : -60 \text{ V}$$

Operating and storage junction temperature range

$$T_J, T_{stg} : -55 \text{ to } +150$$



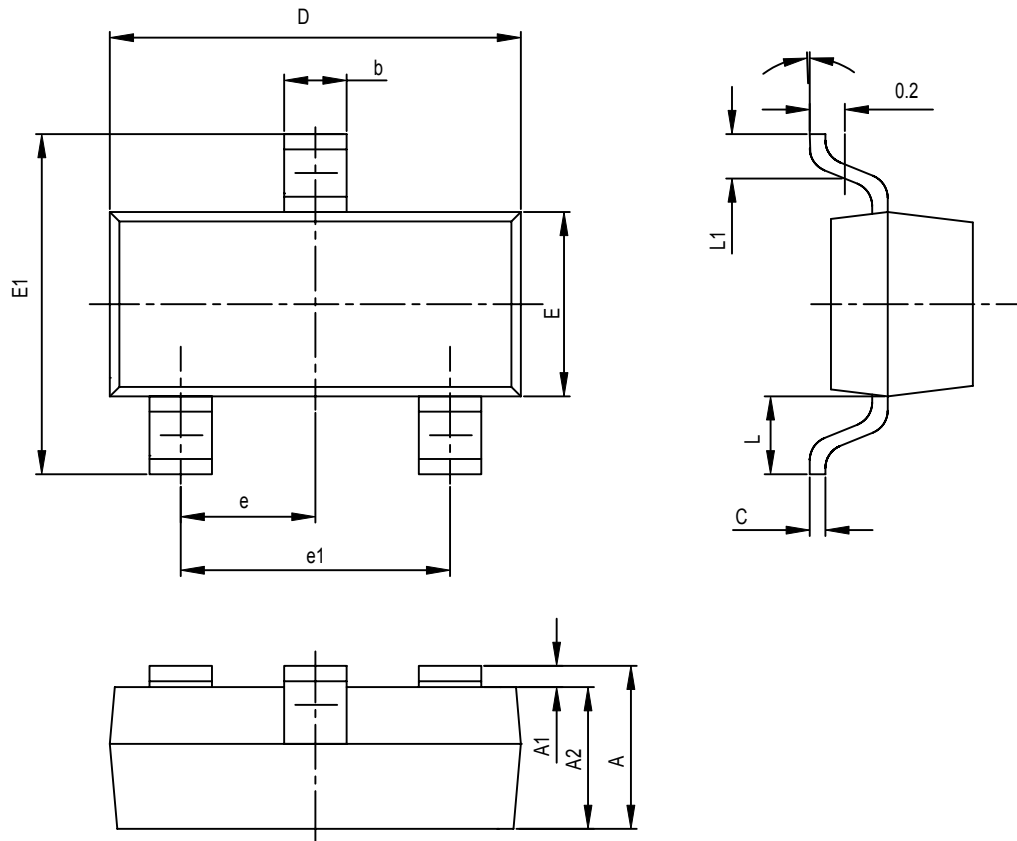
ELECTRICAL CHARACTERISTICS ($T_{amb}=25$ unless otherwise specified)

Parameter	Symbol	Test conditions	MIN	MAX	UNIT
Collector-base breakdown voltage	$V_{(BR) CBO}$	$I_C = -100 \mu A, I_E = 0$	-60		V
Collector-emitter breakdown voltage	$V_{(BR) CEO}$	$I_C = -100 \mu A, I_B = 0$	-50		V
Emitter-base breakdown voltage	$V_{(BR) EBO}$	$I_E = -100 \mu A, I_C = 0$	-6		V
Collector cut-off current	I_{CBO}	$V_{CB} = -60 V, I_E = 0$		-0.1	μA
Emitter cut-off current	I_{EBO}	$V_{EB} = -6V, I_C = 0$		-0.1	μA
DC current gain	$h_{FE(1)}$	$V_{CE} = -6V, I_C = -1mA$	150	500	
	$h_{FE(2)}$	$V_{CE} = -6V, I_C = -0.1mA$	90		
Collector-emitter saturation voltage	$V_{CE(sat)}$	$I_C = -100 mA, I_B = -10mA$		-0.3	V
Base-emitter saturation voltage	$V_{BE(sat)}$	$I_C = -100mA, I_B = -10mA$		-1	V
Transition frequency	f_T	$V_{CE} = -6V, I_C = -10mA$	180		MHz
Collector output capacitance	C_{ob}	$V_{CE} = -6V, I_E = 0, f = 1MHz$		5	dB
Noise figure	NF	$V_{CE} = -6V, I_E = 0.3mA, f = 100Hz, R_G = 10K?$		20	dB

CLASSIFICATION OF $h_{FE(1)}$

Rank	E	F
Range	150~300	250~500
Marking	M•E	M•F

SOT-23 PACKAGE OUTLINE DIMENSIONS



Symbol	Dimensions In Millimeters		Dimensions In Inches	
	Min	Max	Min	Max
A	0.900	1.100	0.035	0.043
A1	0.000	0.100	0.000	0.004
A2	0.900	1.000	0.035	0.039
b	0.300	0.500	0.012	0.020
c	0.080	0.150	0.003	0.006
D	2.800	3.000	0.110	0.118
E	1.200	1.400	0.047	0.055
E1	2.250	2.550	0.089	0.100
e	0.950TPY		0.037TPY	
e1	1.800	2.000	0.071	0.079
L	0.550REF		0.022REF	
L1	0.300	0.500	0.012	0.020
θ	0°	8°	0°	8°

This datasheet has been downloaded from:

www.DatasheetCatalog.com

Datasheets for electronic components.