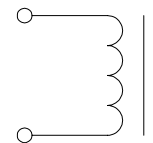
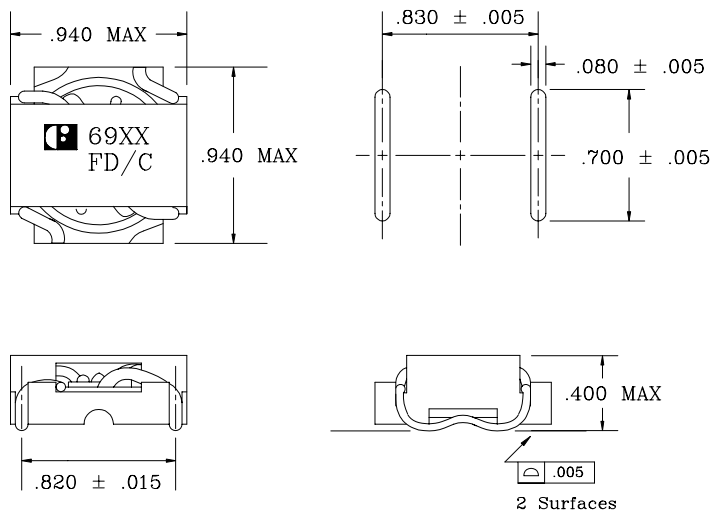


- Designed for use with National Semiconductor LM 259X series
- Compact size and low cost
- Meets flammability rating of UL 94V-0

MECHANICAL AND SCHEMATIC (All dimensions in inches)

SUGGESTED PAD LAYOUT

SCHEMATIC



UNLESS OTHERWISE SPECIFIED,
ALL TOLERANCES ARE ± .010

ELECTRICAL SPECIFICATIONS @ 25°C

Part Number	Nominal Inductance (μH)	Rated Current (Amps DC)	Nominal DCR (Ω)
6985	38	3.0	0.05
6986	53	3.0	0.08
6987	77	3.0	0.08
6988	77	2.7	0.09
6989	114	2.22	0.10
6990	168	1.81	0.18
6991	250	1.5	0.23

NOTES: 1. SIMPLE SWITCHER™ is a trademark of National Semiconductor Corporation.
 2. Inductance values are ±20%.

Issue A 08/04/02