

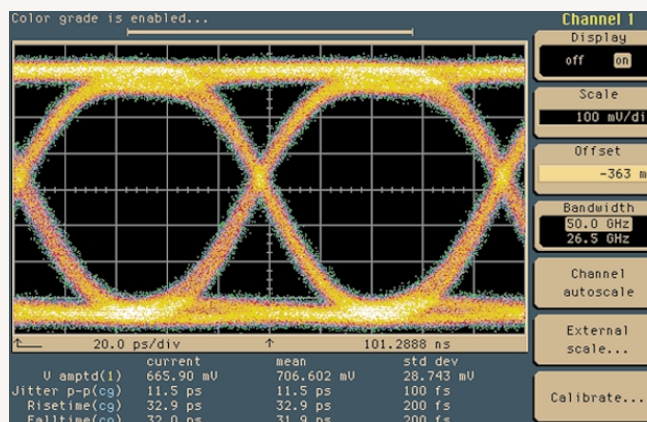
10G PHY
Layer
Products

Features for VSC8171

SONET/SDH 16:1 Mux with CMU

- 9.953 - 10.7 GHz Operation
- 16:1 Multiplexer with Integrated Clock Multiplier
- FIFO Companion Device VSC8273 16 x 622/667 MHz
- Supports OC-192 and FEC Rates with only a Reference Clock Frequency Change
- LVDS Parallel Interface
- Parity Checking
- High Speed Clock and Serial Data Output
- 650 mV (typ) Serial Data Output
- 35 ps (max) Rise/Fall Times
- Meets SONET OC-192 and SDH STM-64 Jitter Generation Requirements
- -5.2 V Single Power Supply
- 2.6 W (typ) Power Dissipation
- Thermally Enhanced 80-Pin PQFP and 96-Ball BGA
- 11.5 - 12.5 GHz Version Available - VSC8181

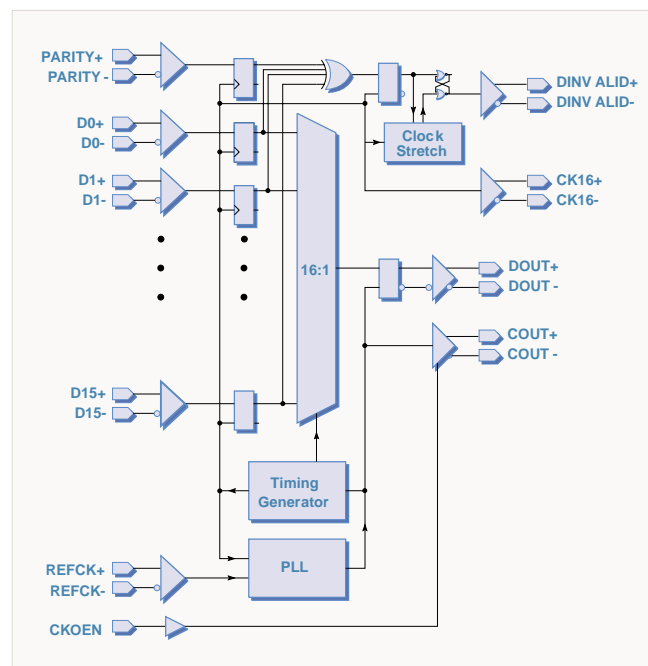
VITESSE Has Eyes For You



Introduction

Vitesse Semiconductor offers a complete line of physical layer serializer/deserializer devices for use in a broad range of SONET OC-192 / SDH STM-64 and forward error correction applications. Vitesse has leveraged *production proven* technology to develop a family of chip sets that support a full range of design requirements from high-performance to low-power, performance-optimized, applications.

VSC8171 Block Diagram



"Best Data Eyes in the Business"

Product Brief

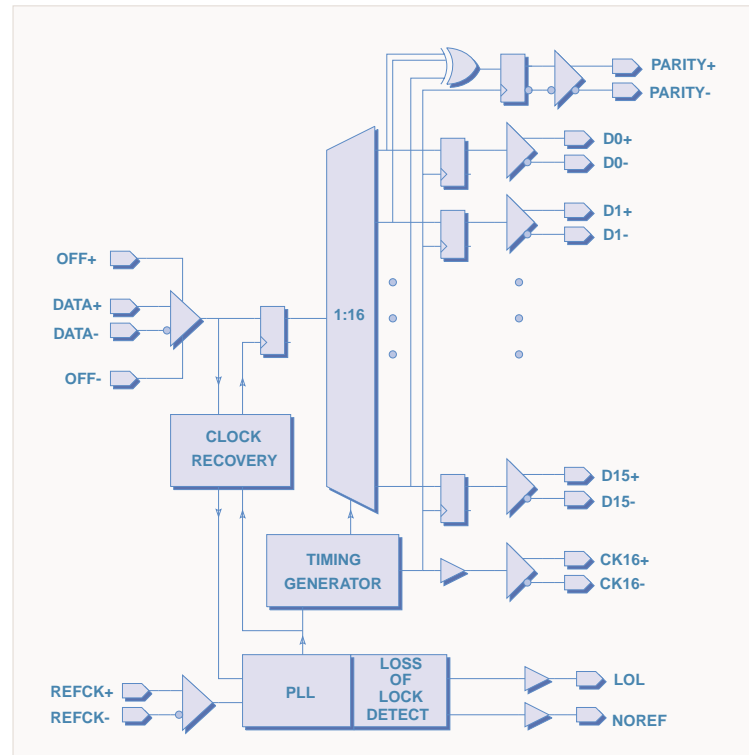
10G PHY
Layer
Products

Features for VSC8172

SONET/SDH 1:16 Demux with CDR

- 9.953 - 10.7 GHz Operation
- 1:16 Demultiplexer with Limiting Amplifier and Integrated Clock Recovery
- LVDS Parallel Interface
- Parity Bit Calculation
- Loss of Lock Detection
- 50 mV (min) Input Sensitivity
- Supports OC-192 and FEC Rates with only a Reference Clock Frequency Change
- Meets SONET OC-192 and SDH STM-64 Jitter Tolerance Requirements
- -5.2 V / -2 V Power Supplies
- 3.4 W (typ) Power Dissipation
- Thermally Enhanced 100-Pin PQFP and 96-Ball BGA
- 11.5 - 12.5 GHz Version Available - VSC8182

VSC8172 Block Diagram



The VSC8171 mux offers integration of a high output swing mux with a low-jitter generation clock multiplier unit. The VSC8172 demux offers an integrated limiting amplifier, demux and high jitter tolerant clock and data recovery unit. Vitesse has eyes for you: "The best data eyes in the business."

VITESSE
SEMICONDUCTOR CORPORATION

www.vitesse.com

For more information on Vitesse Products visit the Vitesse web site at www.vitesse.com or contact Vitesse Sales at (800) VITESSE or sales@vitesse.com

© Copyright 2000 Vitesse Semiconductor Corporation and the Vitesse logo are all registered trademarks of Vitesse Semiconductor Corporation