



74LCX16240A

LOW VOLTAGE CMOS 16-BIT BUS BUFFER (3-STATE INV.) WITH 5V TOLERANT INPUTS AND OUTPUTS

- 5V TOLERANT INPUTS AND OUTPUTS
- HIGH SPEED:
 $t_{PD} = 4.9 \text{ ns (MAX.) at } V_{CC} = 3.0\text{V}$
- POWER-DOWN PROTECTION ON INPUTS AND OUTPUTS
- SYMMETRICAL OUTPUT IMPEDANCE:
 $|I_{OH}| = I_{OL} = 24 \text{ mA (MIN)}$
- PCI BUS LEVELS GUARANTEED AT 24mA
- BALANCED PROPAGATION DELAYS:
 $t_{PLH} \cong t_{PHL}$
- OPERATING VOLTAGE RANGE:
 $V_{CC} \text{ (OPR)} = 2.7\text{V to } 3.6\text{V (1.5V Data Retention)}$
- PIN AND FUNCTION COMPATIBLE WITH 74 SERIES 16240
- LATCH-UP PERFORMANCE EXCEEDS 500mA
- ESD PERFORMANCE:
 $\text{HBM} > 2000\text{V}; \text{MM} > 200\text{V}$

DESCRIPTION

The LCX16240A is a low voltage CMOS 16-BIT BUS BUFFER fabricated with sub-micron silicon gate and double-layer metal wiring C²MOS technology. It is ideal for low power and high speed 3.3V applications; it can be interfaced to 5V signal environment for both inputs and outputs.

Any \overline{nG} output control governs four BUS BUFFERS. Output Enable input (\overline{nG}) tied together gives full 16-bit operation.

When \overline{nG} is LOW, the outputs are on. When \overline{nG} is HIGH, the output are in high impedance state.

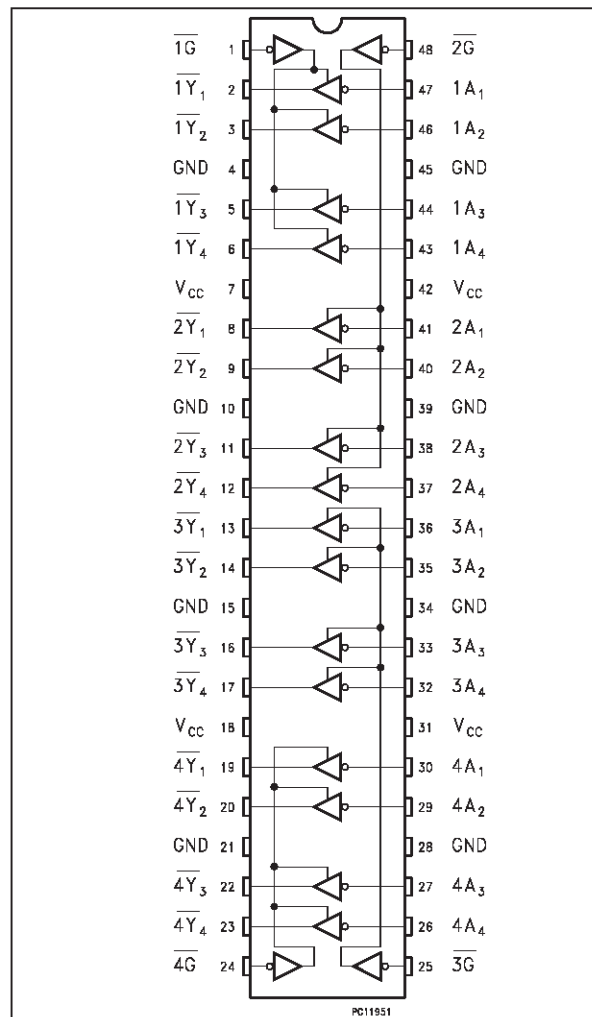
This device is designed to be used with 3 state memory address drivers, etc.

It has better speed performance at 3.3V than 5V LSTTL family combined with the true CMOS low power consumption.

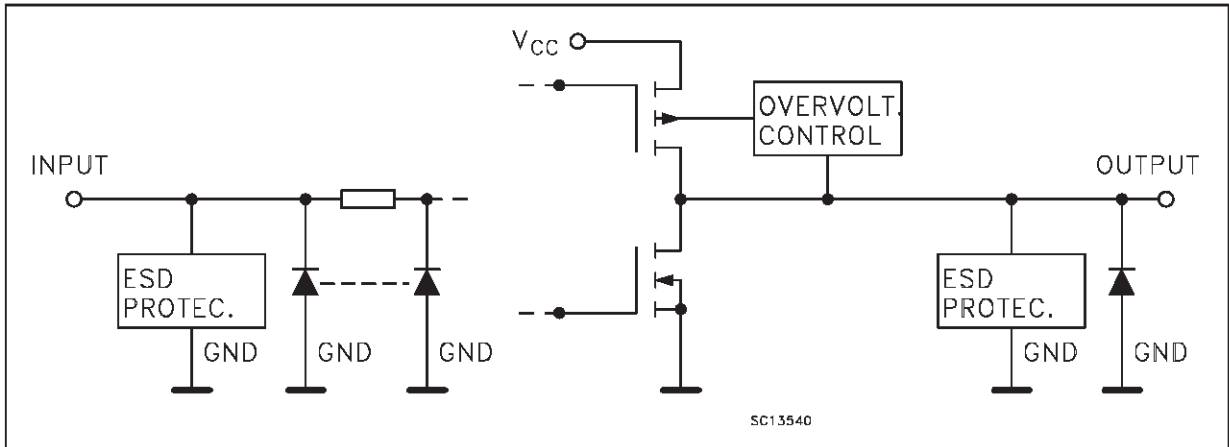
All inputs and outputs are equipped with protection circuits against static discharge, giving them 2KV ESD immunity and transient excess voltage.



PIN CONNECTION



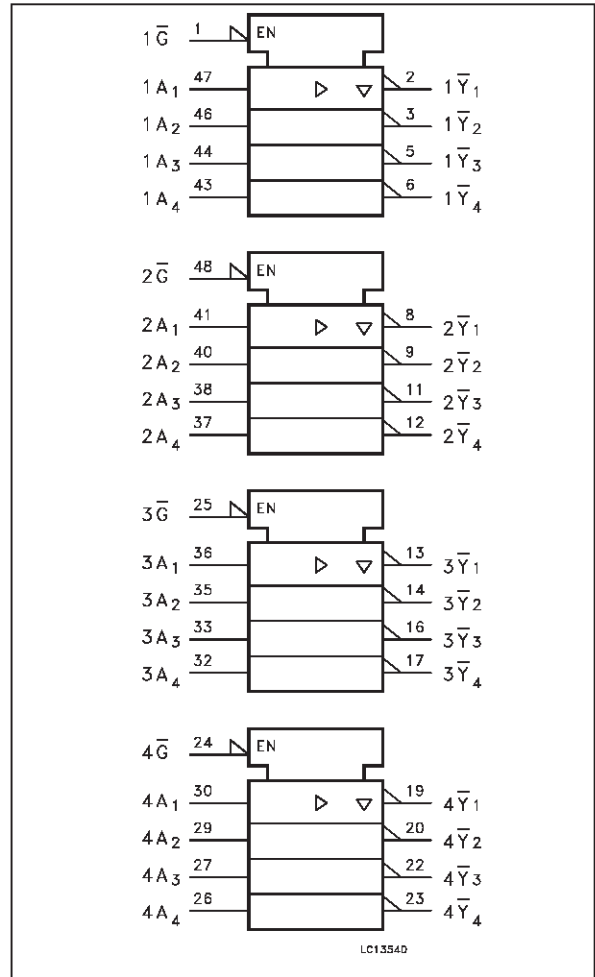
INPUT AND OUTPUT EQUIVALENT CIRCUIT



PIN DESCRIPTION

PIN No	SYMBOL	NAME AND FUNCTION
1	$\overline{1G}$	Output Enable Input
2, 3, 5, 6	$\overline{1Y1}$ to $\overline{1Y4}$	Data Outputs
8, 9, 11, 12	$\overline{2Y1}$ to $\overline{2Y4}$	Data Outputs
13, 14, 16, 17	$\overline{3Y1}$ to $\overline{3Y4}$	Data Outputs
19, 20, 22, 23	$\overline{4Y1}$ to $\overline{4Y4}$	Data Outputs
24	$\overline{4G}$	Output Enable Input
25	$\overline{3G}$	Output Enable Input
30, 29, 27, 26	4A1 to 4A4	Data Inputs
36, 35, 33, 32	3A1 to 3A4	Data Inputs
41, 40, 38, 37	2A1 to 2A4	Data Inputs
47, 46, 44, 43	1A1 to 1A4	Data Inputs
48	$\overline{2G}$	Output Enable Input
4, 10, 15, 21, 28, 34, 39, 45	GND	Ground (0V)
7, 18, 31, 42	V _{CC}	Positive Supply Voltage

IEC LOGIC SYMBOLS



TRUTH TABLE

INPUT		OUTPUT
\overline{G}	A _n	$\overline{Y_n}$
L	L	H
L	H	L
H	X	Z

X: "H" or "L"
Z: High impedance

ABSOLUTE MAXIMUM RATINGS

Symbol	Parameter	Value	Unit
V_{CC}	Supply Voltage	-0.5 to + 7.0	V
V_I	DC Input Voltage	-0.5 to + 7.0	V
V_O	DC Output Voltage (OFF state)	-0.5 to + 7.0	V
V_O	DC Output Voltage (High or Low State) (note1)	-0.5 to $V_{CC} + 0.5$	V
I_{IK}	DC Input Diode Current	- 50	mA
I_{OK}	DC Output Diode Current (note2)	± 50	mA
I_O	DC Output Source/Sink Current	± 50	mA
I_{CC} or I_{GND}	DC V_{CC} or Ground Current Per Supply Pin	± 100	mA
T_{stg}	Storage Temperature	-65 to +150	$^{\circ}C$
T_L	Lead Temperature (10 sec)	300	$^{\circ}C$

Absolute Maximum Ratings are those values beyond which damage to the device may occur. Functional operation under these condition is not implied.

1) I_O absolute maximum rating must be observed

2) $V_O < GND, V_O > V_{CC}$

RECOMMENDED OPERATING CONDITIONS

Symbol	Parameter	Value	Unit
V_{CC}	Supply Voltage (note 1)	2.0 to 3.6	V
V_I	Input Voltage	0 to 5.5	V
V_O	Output Voltage (OFF state)	0 to 5.5	V
V_O	Output Voltage (High or Low State)	0 to V_{CC}	V
I_{OH}, I_{OL}	High or Low Level Output Current ($V_{CC} = 3.0$ to 3.6V)	± 24	mA
I_{OH}, I_{OL}	High or Low Level Output Current ($V_{CC} = 2.7$ to 3.0V)	± 12	mA
T_{op}	Operating Temperature:	-40 to +85	$^{\circ}C$
dt/dv	Input Transition Rise or Fall Rate ($V_{CC} = 3.0V$) (note 2)	0 to 10	ns/V

1) Truth Table guaranteed: 1.5V to 3.6V

2) V_{IN} from 0.8V to 2.0V

DC SPECIFICATIONS

Symbol	Parameter	Test Conditions		Value		Unit
		V _{CC} (V)		-40 to 85 °C		
				Min.	Max.	
V _{IH}	High Level Input Voltage	2.7 to 3.6		2.0		V
V _{IL}	Low Level Input Voltage				0.8	
V _{OH}	High Level Output Voltage	2.7 to 3.6	V _I = V _{IH} or V _{IL}	I _O = -100 μA	V _{CC} - 0.2	V
		2.7		I _O = -12 mA	2.2	
		3.0		I _O = -18 mA	2.4	
				I _O = -24 mA	2.2	
V _{OL}	Low Level Output Voltage	2.7 to 3.6	V _I = V _{IH} or V _{IL}	I _O = 100 μA	0.2	V
		2.7		I _O = 12 mA	0.4	
		3.0		I _O = 16 mA	0.4	
		3.0		I _O = 24 mA	0.55	
I _I	Input Leakage Current	2.7 to 3.6	V _I = 0 to 5.5V		±5	μA
I _{OZ}	3 State Output Leakage Current	2.7 to 3.6	V _I = V _{IH} or V _{IL} V _O = 0 to 5.5V		±5	μA
I _{off}	Power Off Leakage Current	0	V _I or V _O = 5.5V (per pin)		10	μA
I _{CC}	Quiescent Supply Current	2.7 to 3.6	V _I = V _{CC} or GND		20	μA
			V _I or V _O = 3.6 to 5.5V		±20	
ΔI _{CC}	ICC incr. per input	2.7 to 3.6	V _{IH} = V _{CC} - 0.6V		500	μA

DYNAMIC SWITCHING CHARACTERISTICS

Symbol	Parameter	Test Conditions		Value			Unit
		V _{CC} (V)		T _A = 25 °C			
				Min.	Typ.	Max.	
V _{OLP}	Dynamic Low Voltage Quiet Output (note 1)	3.3	C _L = 50 pF V _{IL} = 0 V V _{IH} = 3.3V		0.8		V
V _{OLV}					-0.8		

1) Number of outputs defined as "n". Measured with "n-1" outputs switching from HIGH to LOW or LOW to HIGH. The remaining output is measured in the LOW state.

AC ELECTRICAL CHARACTERISTICS ($C_L = 50 \text{ pF}$, $R_L = 500 \Omega$, Input $t_r = t_f = 2.5 \text{ ns}$)

Symbol	Parameter	Test Condition		Value		Unit
		V_{CC} (V)	Waveform	-40 to 85 °C		
				Min.	Max.	
t_{PLH} t_{PHL}	Propagation Delay Time	2.7 3.0 to 3.6	1	1.5 1.5	5.9 4.9	ns
t_{PZL} t_{PZH}	Output Enable Time	2.7 3.0 to 3.6	2	1.5 1.5	7.5 6.5	ns
t_{PLZ} t_{PHZ}	Output Disable Time	2.7 3.0 to 3.6	2	1.5 1.5	6.5 5.5	ns
t_{OSLH} t_{OSHL}	Output to Output Skew Time (note 1, 2)	3.0 to 3.6			1.0	ns

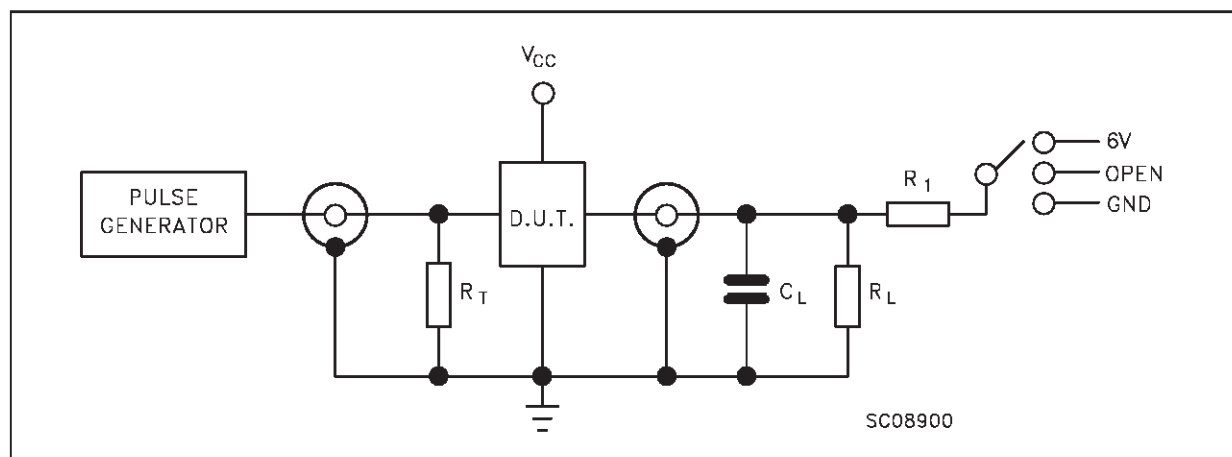
1) Skew is defined as the absolute value of the difference between the actual propagation delay for any two outputs of the same device switching in the same direction, either HIGH or LOW ($t_{OSLH} = |t_{PLHm} - t_{PLHl}|$, $t_{OSHL} = |t_{PHLm} - t_{PHLl}|$)

2) Parameter guaranteed by design

CAPACITIVE CHARACTERISTICS

Symbol	Parameter	Test Conditions		Value			Unit
		V_{CC} (V)		$T_A = 25 \text{ °C}$			
				Min.	Typ.	Max.	
C_{IN}	Input Capacitance	3.3	$V_{IN} = 0 \text{ to } V_{CC}$		7		pF
C_{OUT}	Output Capacitance	3.3	$V_{IN} = 0 \text{ to } V_{CC}$		15		pF
C_{PD}	Power Dissipation Capacitance (note 1)	3.3	$f_{IN} = 10 \text{ MHz}$ $V_{IN} = 0 \text{ or } V_{CC}$		60		pF

1) C_{PD} is defined as the value of the IC's internal equivalent capacitance which is calculated from the operating current consumption without load. Average operating current can be obtained by the following equation. $I_{CC(oper)} = C_{PD} \cdot V_{CC} \cdot f_{IN} + I_{CC'16}$ (per circuit)

TEST CIRCUIT

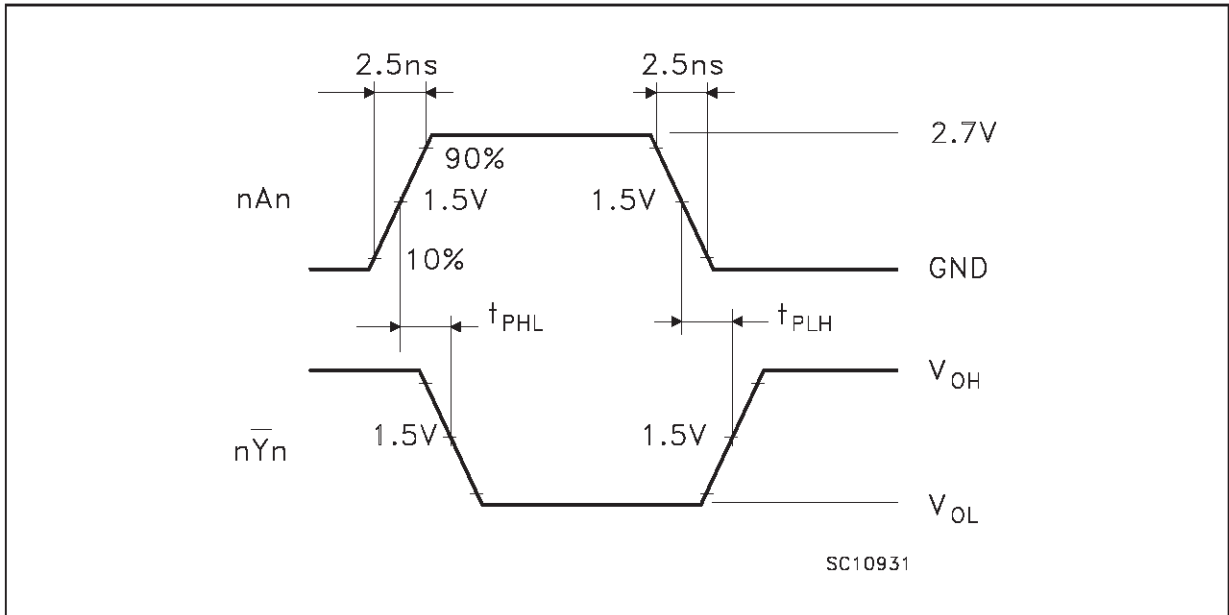
TEST	SWITCH
t_{PLH} , t_{PHL}	Open
t_{PZL} , t_{PLZ}	6V
t_{PZH} , t_{PHZ}	GND

$C_L = 50 \text{ pF}$ or equivalent (includes jig and probe capacitance)

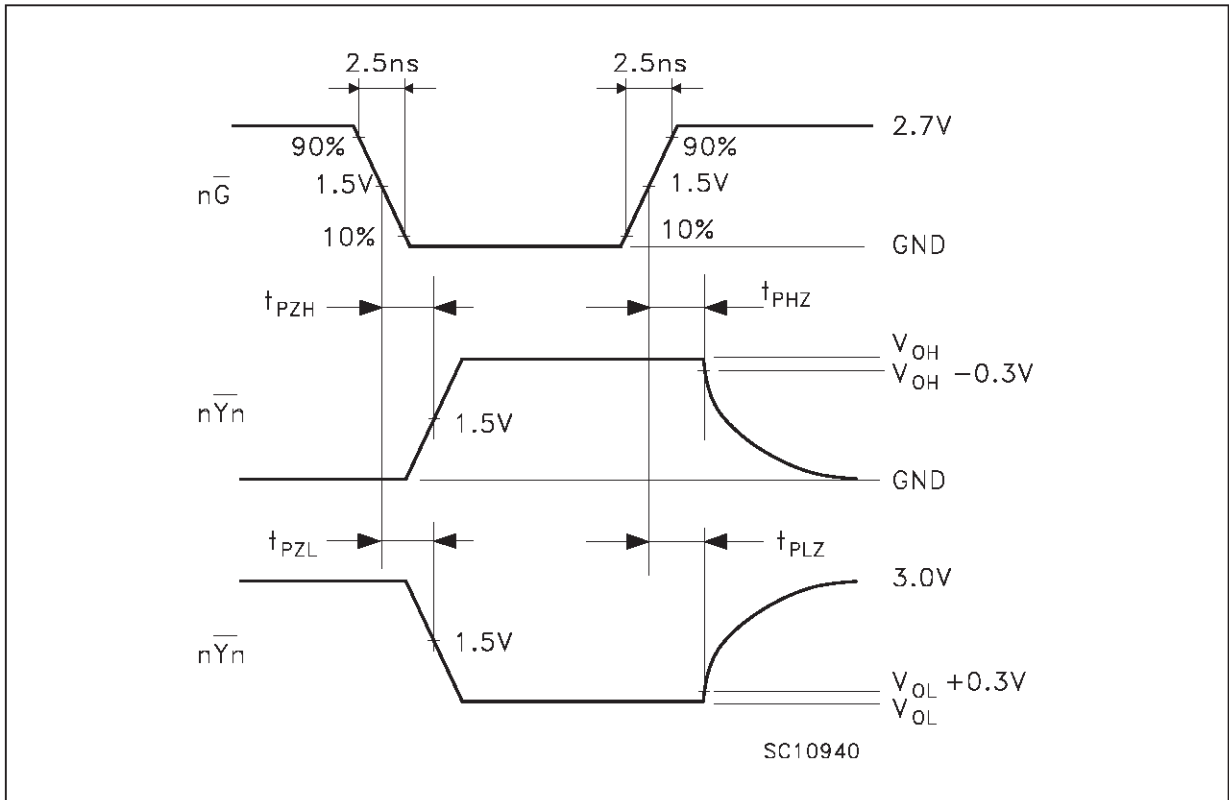
$R_L = R_1 = 500 \Omega$ or equivalent

$R_T = Z_{out}$ of pulse generator (typically 50Ω)

WAVEFORM 1: PROPAGATION DELAYS (f=1MHz; 50% duty cycle)

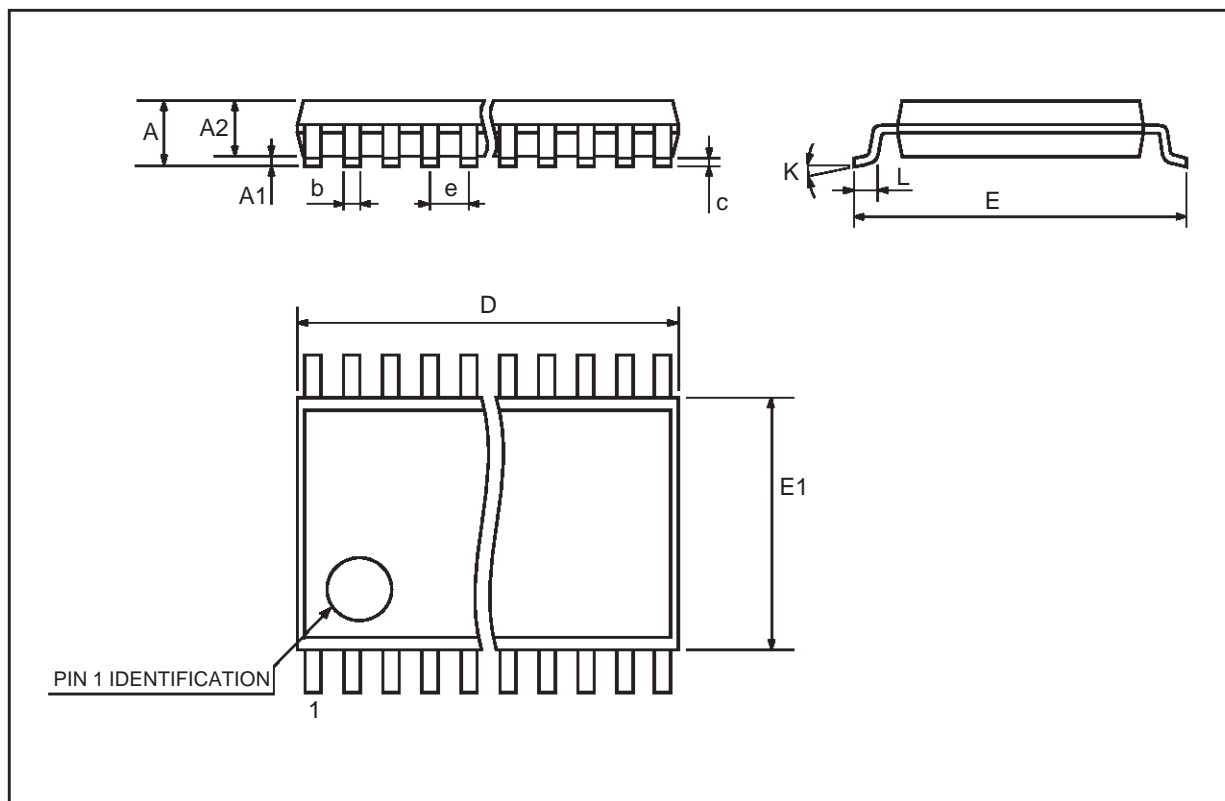


WAVEFORM 2: OUTPUT ENABLE AND DISABLE TIME (f=1MHz; 50% duty cycle)



TSSOP48 MECHANICAL DATA

DIM.	mm			inch		
	MIN.	TYP.	MAX.	MIN.	TYP.	MAX.
A			1.1			0.433
A1	0.05	0.10	0.15	0.002	0.004	0.006
A2	0.85	0.9	0.95	0.335	0.354	0.374
b	0.17		0.27	0.0067		0.011
c	0.09		0.20	0.0035		0.0079
D	12.4	12.5	12.6	0.408	0.492	0.496
E	7.95	8.1	8.25	0.313	0.319	0.325
E1	6.0	6.1	6.2	0.236	0.240	0.244
e		0.5 BSC			0.0197 BSC	
K	0°	4°	8°	0°	4°	8°
L	0.50	0.60	0.70	0.020	0.024	0.028



Information furnished is believed to be accurate and reliable. However, STMicroelectronics assumes no responsibility for the consequences of use of such information nor for any infringement of patents or other rights of third parties which may result from its use. No license is granted by implication or otherwise under any patent or patent rights of STMicroelectronics. Specification mentioned in this publication are subject to change without notice. This publication supersedes and replaces all information previously supplied. STMicroelectronics products are not authorized for use as critical components in life support devices or systems without express written approval of STMicroelectronics.

The ST logo is a trademark of STMicroelectronics

© 1999 STMicroelectronics – Printed in Italy – All Rights Reserved

STMicroelectronics GROUP OF COMPANIES

Australia - Brazil - Canada - China - France - Germany - Italy - Japan - Korea - Malaysia - Malta - Mexico - Morocco - The Netherlands - Singapore - Spain - Sweden - Switzerland - Taiwan - Thailand - United Kingdom - U.S.A.

<http://www.st.com>