



STX790A

MEDIUM CURRENT, HIGH PERFORMANCE, LOW VOLTAGE PNP TRANSISTOR

Type	Marking
STX790A	X790A

- VERY LOW COLLECTOR TO EMITTER SATURATION VOLTAGE
- DC CURRENT GAIN, $h_{FE} > 100$
- 3 A CONTINUOUS COLLECTOR CURRENT
- 60 V BREAKDOWN VOLTAGE ($V_{(BR)CER}$)
- TO-92 PACKAGE SUITABLE FOR THROUGH-HOLE PCB ASSEMBLY

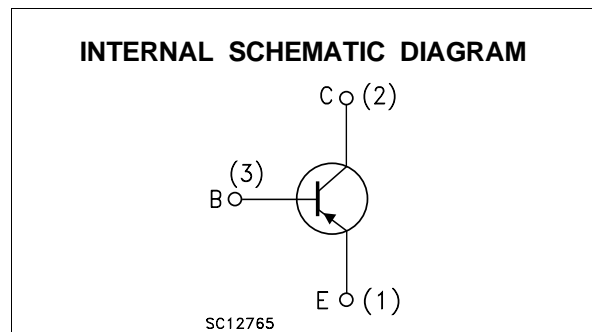
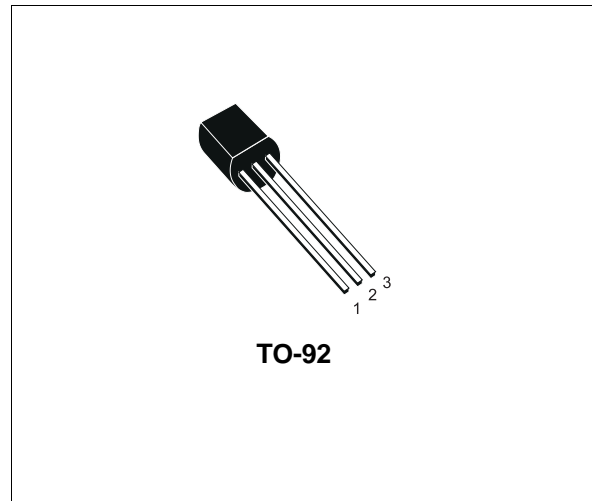
APPLICATIONS

- SWITCHING REGULATOR IN BATTERY CHARGER APPLICATIONS
- SUITABLE FOR AUTOMOTIVE APPLICATIONS ($V_{(BR)CER} > 60V$)
- VOLTAGE REGULATION IN BIAS SUPPLY CIRCUITS
- HEAVY LOAD DRIVER

DESCRIPTION

The device is manufactured in low voltage PNP Planar Technology by using a "Base Island" layout.

The resulting Transistor shows exceptional high gain performance coupled with very low saturation voltage.



ABSOLUTE MAXIMUM RATINGS

Symbol	Parameter	Value	Unit
V_{CBO}	Collector-Base Voltage ($I_E = 0$)	-60	V
V_{CER}	Collector-Emitter Voltage ($R_{BE} = 47\Omega$)	-60	V
V_{EBO}	Emitter-Base Voltage ($I_C = 0$)	-5	V
I_C	Collector Current	-3	A
I_{CM}	Collector Peak Current ($t_p < 5$ ms)	-6	A
P_{tot}	Total Dissipation at $T_{amb} = 25$ °C	0.9	W
T_{stg}	Storage Temperature	-65 to 150	°C
T_j	Max. Operating Junction Temperature	150	°C

STX790A

THERMAL DATA

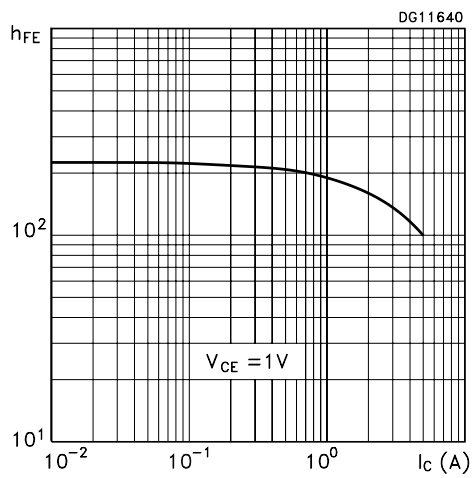
R _{thj-case}	Thermal Resistance Junction-Case	Max	44.6	°C/W
R _{thj-amb}	Thermal Resistance Junction-Ambient	Max	139	°C/W

ELECTRICAL CHARACTERISTICS (T_{case} = 25 °C unless otherwise specified)

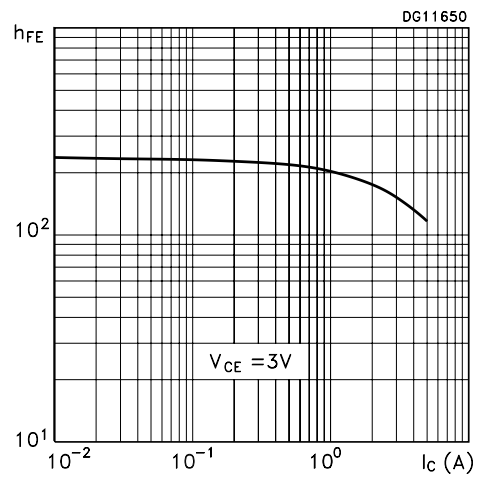
Symbol	Parameter	Test Conditions	Min.	Typ.	Max.	Unit
I _{CBO}	Collector Cut-off Current (I _E = 0)	V _{CB} = -30 V V _{CB} = -30 V T _j = 100 °C			-0.1 -10	μA μA
I _{EBO}	Emitter Cut-off Current (I _C = 0)	V _{EB} = -4 V			-1	μA
V _{(BR)CER*}	Collector-Emitter Breakdown Voltage (R _{BE} = 47Ω)	I _C = -10 mA	-60			V
V _{(BR)CBO}	Collector-Base Breakdown Voltage (I _E = 0)	I _C = -100 μA	-60			V
V _{(BR)EBO}	Emitter-Base Breakdown Voltage (I _C = 0)	I _E = -100 μA	-5			V
V _{CE(sat)*}	Collector-Emitter Saturation Voltage	I _C = -0.5A I _B = -5mA I _C = -1A I _B = -10mA I _C = -2A I _B = -20mA I _C = -3A I _B = -30mA I _C = -3A I _B = -30mA T _j = 100 °C			-0.15 -0.3 -0.5 -0.7 -0.9	V V V V V
V _{BE(sat)*}	Base-Emitter Saturation Voltage	I _C = -1 A I _B = -10 mA		-0.8	-1.0	V
V _{BE(on)}	Base-Emitter Turn-On Voltage	I _C = -1 A V _{CE} = -2 V		-0.8	-1	V
h _{FE*}	DC Current Gain	I _C = -10 mA V _{CE} = -2 V I _C = -500 mA V _{CE} = -2 V I _C = -1 A V _{CE} = -2 V I _C = -2 A V _{CE} = -1 V I _C = -3 A V _{CE} = -1V	100 100 100 100 90	200 200 160 130	300 300	
f _T	Transition Frequency	I _C = -50 mA V _{CE} = -5V f = 50MHz	100			MHz
t _d	RESISTIVE LOAD Delay Time	I _C = -3 A I _{B1} = - I _{B2} = -60 mA V _{CC} = -20 V (see figure 1)		180	220	ns
t _r	RiseTime			160	210	ns
t _s	StorageTime			250	300	ns
t _f	Fall Time			80	100	ns

* Pulsed: Pulse duration = 300 μs, duty cycle ≤ 1.5 %

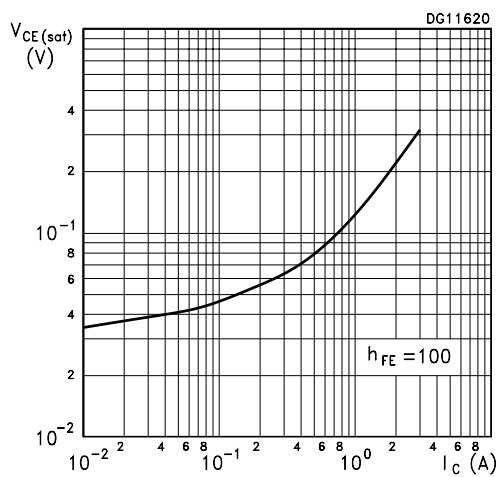
DC Current Gain



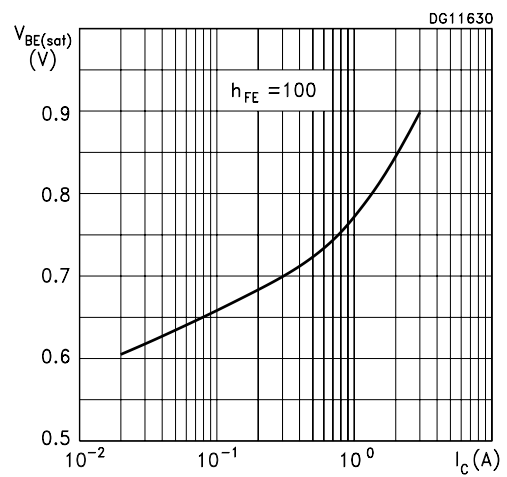
DC Current Gain



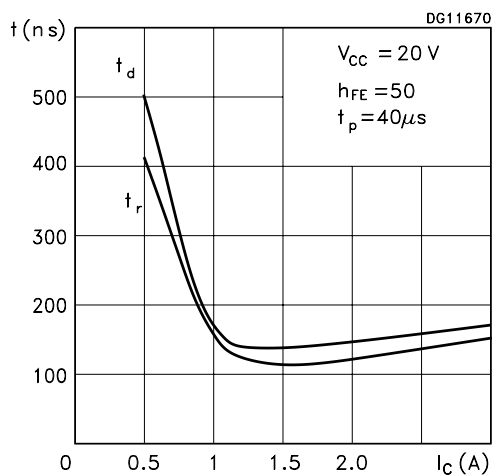
Collector-Emitter Saturation Voltage



Base-Emitter Saturation Voltage



Switching Times Resistive Load



Switching Times Resistive Load

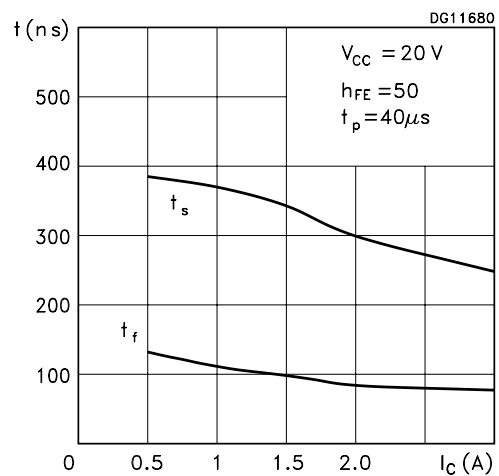
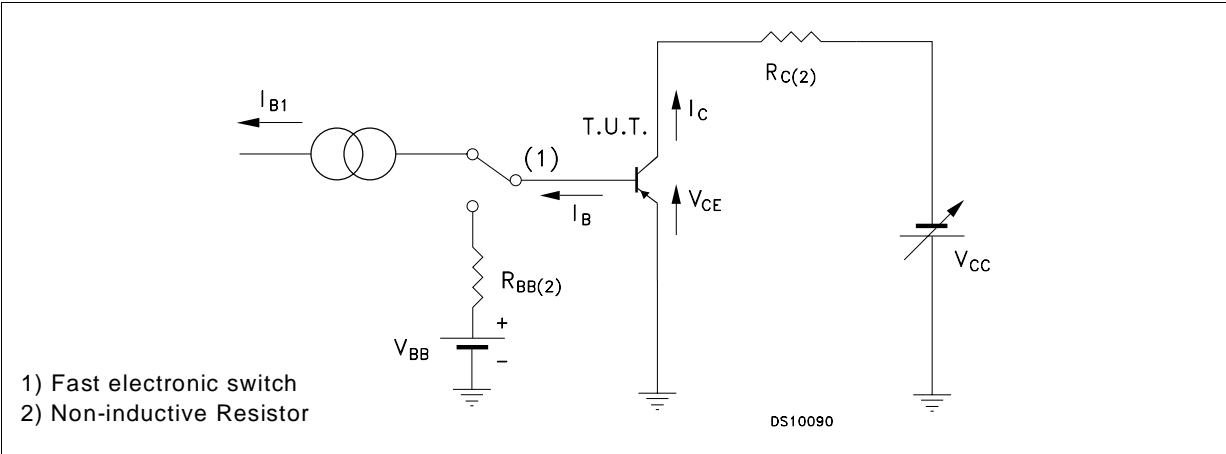
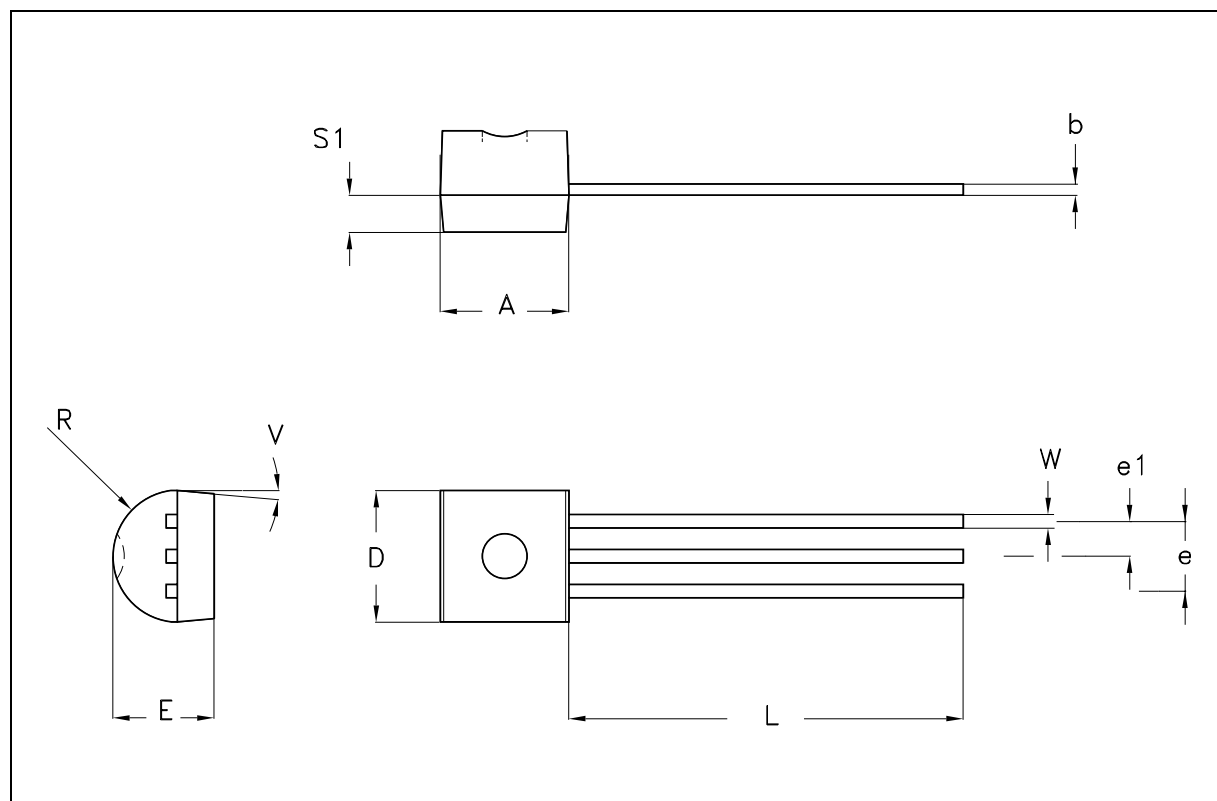


Figure 1: Resistive Load Switching Test Circuit.



TO-92 MECHANICAL DATA

DIM.	mm			inch		
	MIN.	TYP.	MAX.	MIN.	TYP.	MAX.
A	4.32		4.95	0.170		0.195
b	0.36		0.51	0.014		0.020
D	4.45		4.95	0.175		0.194
E	3.30		3.94	0.130		0.155
e	2.41		2.67	0.095		0.105
e1	1.14		1.40	0.045		0.055
L	12.70		15.49	0.500		0.609
R	2.16		2.41	0.085		0.094
S1	1.14		1.52	0.045		0.059
W	0.41		0.56	0.016		0.022
V	4 degree		6 degree	4 degree		6 degree



Information furnished is believed to be accurate and reliable. However, STMicroelectronics assumes no responsibility for the consequences of use of such information nor for any infringement of patents or other rights of third parties which may result from its use. No license is granted by implication or otherwise under any patent or patent rights of STMicroelectronics. Specification mentioned in this publication are subject to change without notice. This publication supersedes and replaces all information previously supplied. STMicroelectronics products are not authorized for use as critical components in life support devices or systems without express written approval of STMicroelectronics.

The ST logo is a trademark of STMicroelectronics

© 2003 STMicroelectronics – Printed in Italy – All Rights Reserved

STMicroelectronics GROUP OF COMPANIES

Australia - Brazil - Canada - China - Finland - France - Germany - Hong Kong - India - Israel - Italy - Japan - Malaysia - Malta - Morocco - Singapore - Spain - Sweden - Switzerland - United Kingdom - United States.

<http://www.st.com>