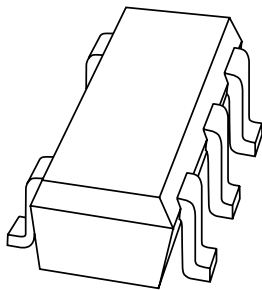


DATA SHEET



BZA800AL series Quadruple ESD transient voltage suppressor

Product specification

2002 Jan 11

Quadruple ESD transient voltage suppressor

BZA800AL series

FEATURES

- ESD rating >8 kV contact discharge, according to IEC1000-4-2
- SOT353 (SC-88A) surface mount package
- Common anode configuration.

APPLICATIONS

- Computers and peripherals
- Audio and video equipment
- Communication systems.

DESCRIPTION

Monolithic transient voltage suppressor diode in a five lead SOT353 (SC-88A) package for 4-bit wide ESD transient suppression.

MARKING

TYPE NUMBER	MARKING CODE
BZA856AL	M1
BZA862AL	M2
BZA868AL	M3

PINNING

PIN	DESCRIPTION
1	cathode 1
2	common anode
3	cathode 2
4	cathode 3
5	cathode 4

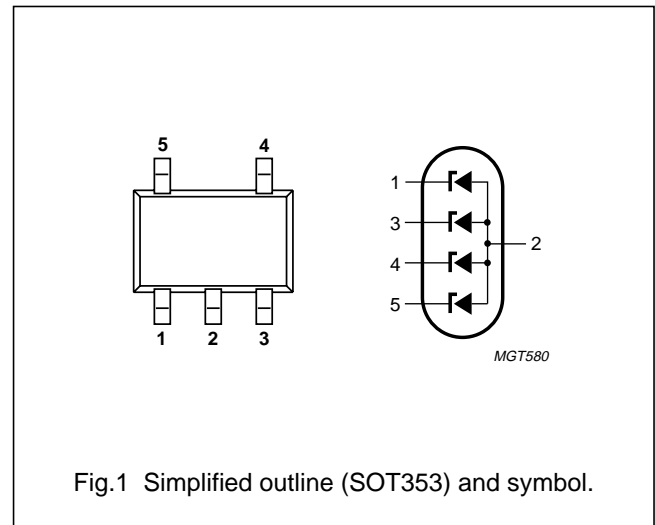


Fig.1 Simplified outline (SOT353) and symbol.

LIMITING VALUES

In accordance with the Absolute Maximum Rating System (IEC 60134).

SYMBOL	PARAMETER	CONDITIONS	MIN.	MAX.	UNIT
Per diode					
I_z	working current	$T_{amb} = 25\text{ }^\circ\text{C}$	–	note 1	mA
I_F	continuous forward current	$T_{amb} = 25\text{ }^\circ\text{C}$	–	200	mA
I_{FSM}	non-repetitive peak forward current	$t_p = 1\text{ ms}$; square pulse	–	4	A
P_{tot}	total power dissipation	$T_{amb} = 25\text{ }^\circ\text{C}$; note 2; see Fig.5	–	300	mW
P_{ZSM}	non repetitive peak reverse power dissipation: BZA856AL BZA862AL BZA868AL	square pulse; $t_p = 1\text{ ms}$; see Fig.3	–	16	W
			–	15	W
			–	14	W
T_{stg}	storage temperature		–65	+150	$^\circ\text{C}$
T_j	junction temperature		–	150	$^\circ\text{C}$

Notes

1. DC working current limited by $P_{tot(max)}$.
2. Device mounted on standard printed-circuit board.

Quadruple ESD transient voltage suppressor

BZA800AL series

THERMAL CHARACTERISTICS

SYMBOL	PARAMETER	CONDITIONS	VALUE	UNIT
$R_{th\ j-a}$	thermal resistance from junction to ambient	all diodes loaded	410	K/W
$R_{th\ j-s}$	thermal resistance from junction to solder point; note 1	one diode loaded	200	K/W
		all diodes loaded	185	K/W

Note

1. Solder point of common anode (pin 2).

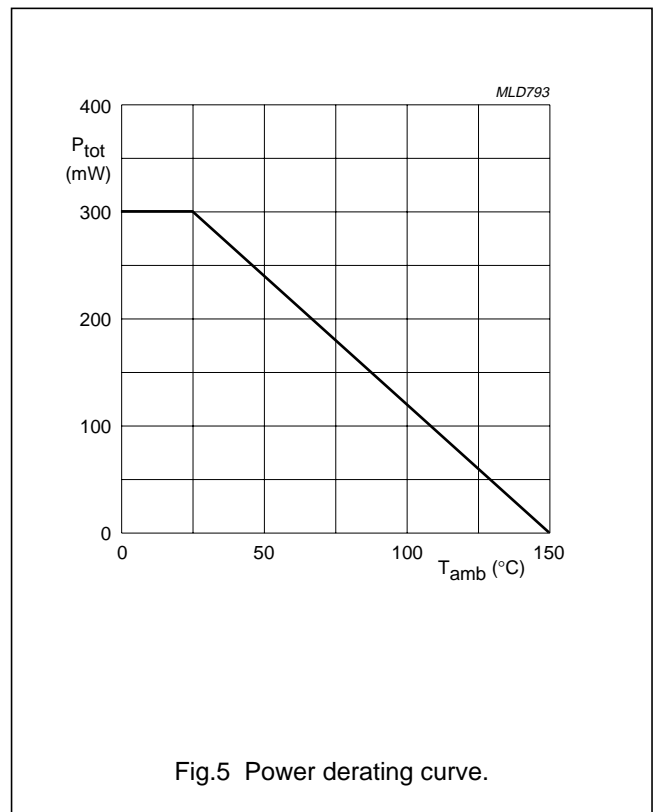
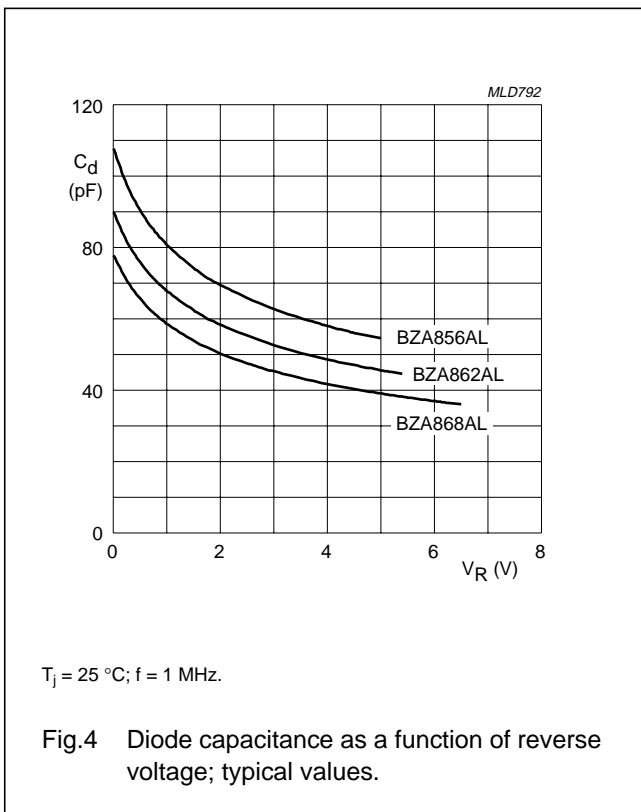
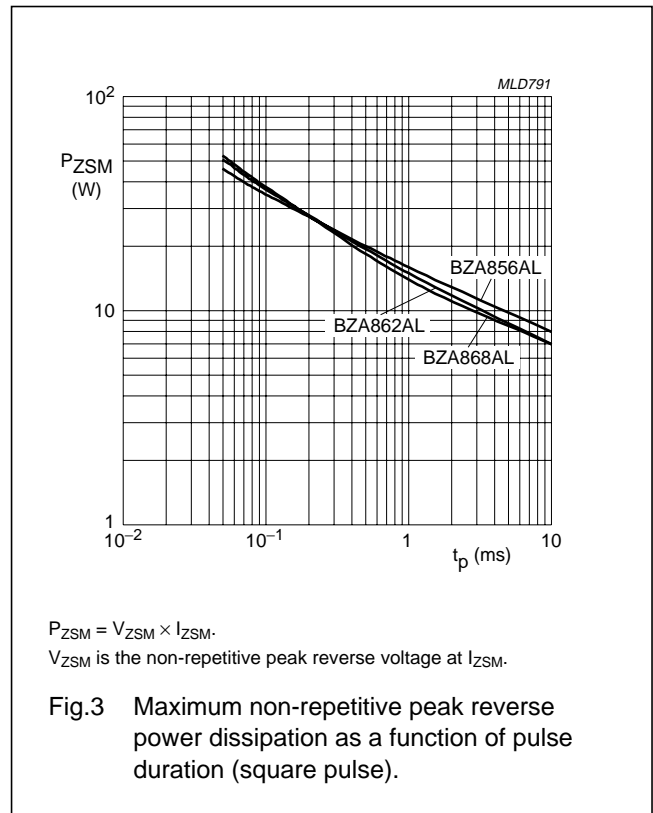
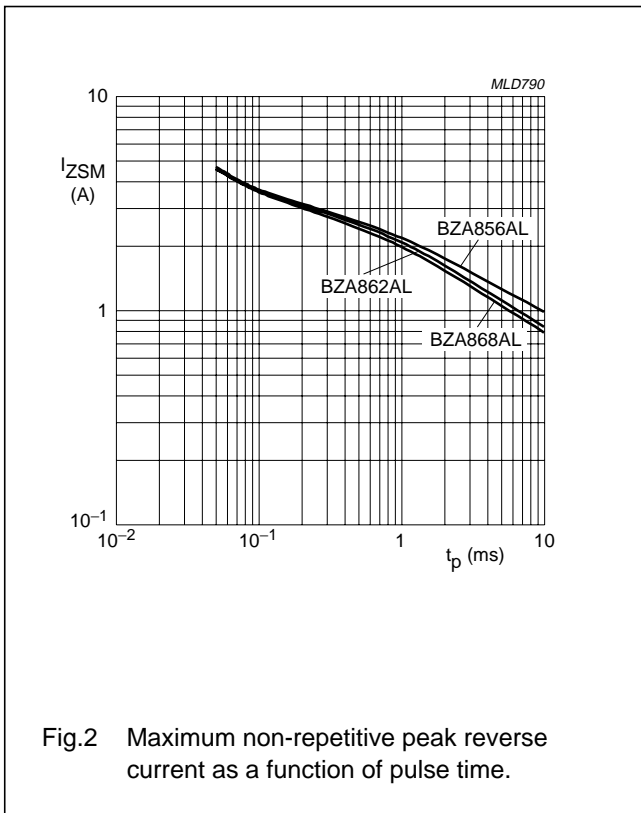
ELECTRICAL CHARACTERISTICS

$T_j = 25\text{ °C}$ unless otherwise specified.

SYMBOL	PARAMETER	CONDITIONS	MIN.	TYP.	MAX.	UNIT
V_F	forward voltage	$I_F = 200\text{ mA}$	–	–	1.3	V
I_R	reverse current					
	BZA856AL	$V_R = 3\text{ V}$	–	–	1 000	nA
	BZA862AL	$V_R = 4\text{ V}$	–	–	500	nA
	BZA868AL	$V_R = 4.3\text{ V}$	–	–	100	nA
V_Z	working voltage	$I_Z = 1\text{ mA}$				
	BZA856AL		5.32	5.6	5.88	V
	BZA862AL		5.89	6.2	6.51	V
	BZA868AL		6.46	6.8	7.14	V
r_{dif}	differential resistance	$I_Z = 1\text{ mA}$				
	BZA856AL		–	–	400	Ω
	BZA862AL		–	–	300	Ω
	BZA868AL		–	–	200	Ω
S_Z	temperature coefficient	$I_Z = 1\text{ mA}$				
	BZA856AL		–	0.3	–	mV/K
	BZA862AL		–	1.6	–	mV/K
	BZA868AL		–	2.2	–	mV/K
C_d	diode capacitance	$f = 1\text{ MHz}; V_R = 0$				
	BZA856AL		–	–	125	pF
	BZA862AL		–	–	105	pF
	BZA868AL		–	–	90	pF
I_{ZSM}	non-repetitive peak reverse current	$t_p = 1\text{ ms}; T_{amb} = 25\text{ °C}$				
	BZA856AL		–	–	2.2	A
	BZA862AL		–	–	2.1	A
	BZA868AL		–	–	2	A

Quadruple ESD transient voltage suppressor

BZA800AL series



Quadruple ESD transient voltage suppressor

BZA800AL series

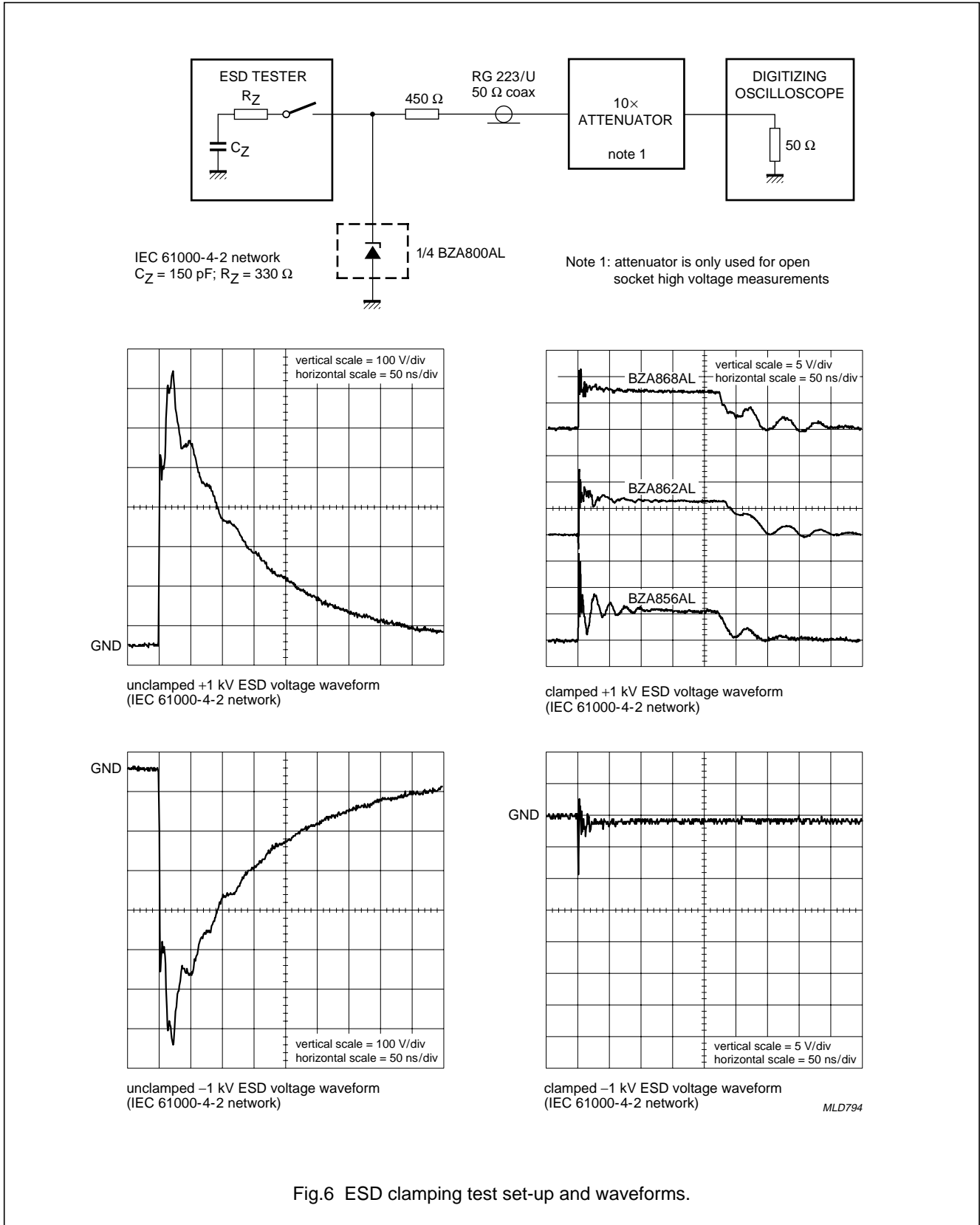


Fig.6 ESD clamping test set-up and waveforms.

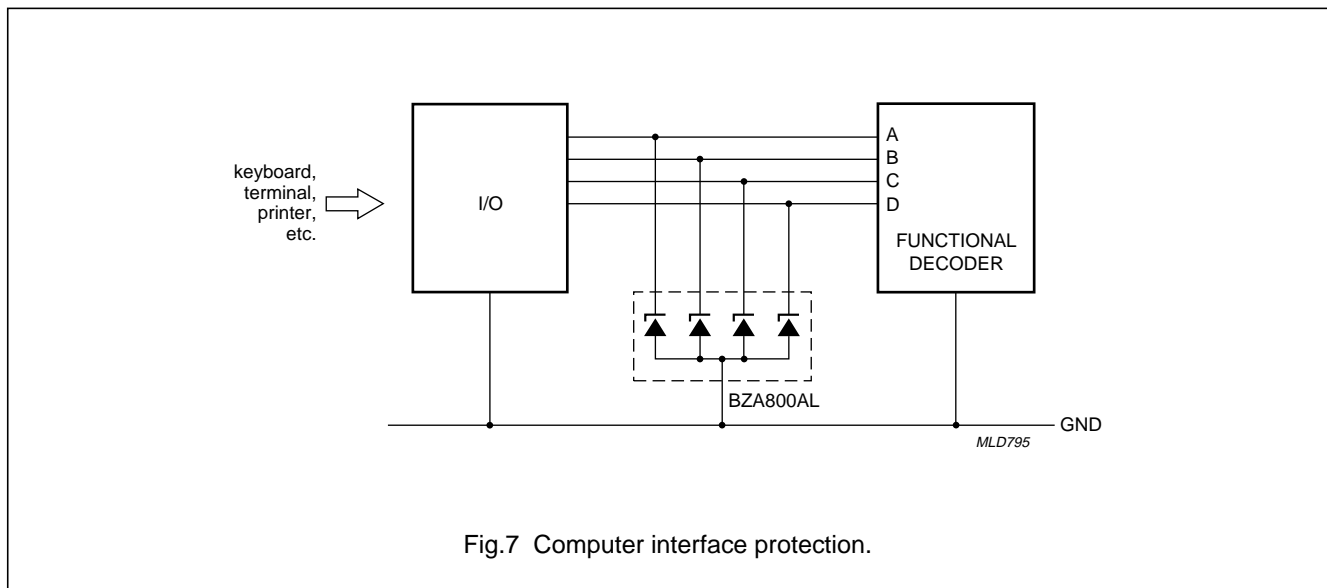
Quadruple ESD transient voltage suppressor

BZA800AL series

APPLICATION INFORMATION

Typical common anode application

A quadruple transient suppressor in a SOT353 (SC88A) package makes it possible to protect four separate lines using only one package. A simplified example is shown in Fig 7.



Device placement and printed-circuit board layout

Circuit board layout is of extreme importance in the suppression of transients. The clamping voltage of the BZA800AL is determined by the peak transient current and the rate of rise of that current (di/dt). Since parasitic inductances can further add to the clamping voltage ($V = L di/dt$) the series conductor lengths on the printed-circuit board should be kept to a minimum. This includes the lead length of the suppression element.

In addition to minimizing conductor length the following printed-circuit board layout guidelines are recommended:

1. Place the suppression element close to the input terminals or connectors
2. Keep parallel signal paths to a minimum
3. Avoid running protection conductors in parallel with unprotected conductors
4. Minimize all printed-circuit board loop areas including power and ground loops
5. Minimize the length of the transient return path to ground
6. Avoid using shared transient return paths to a common ground point.

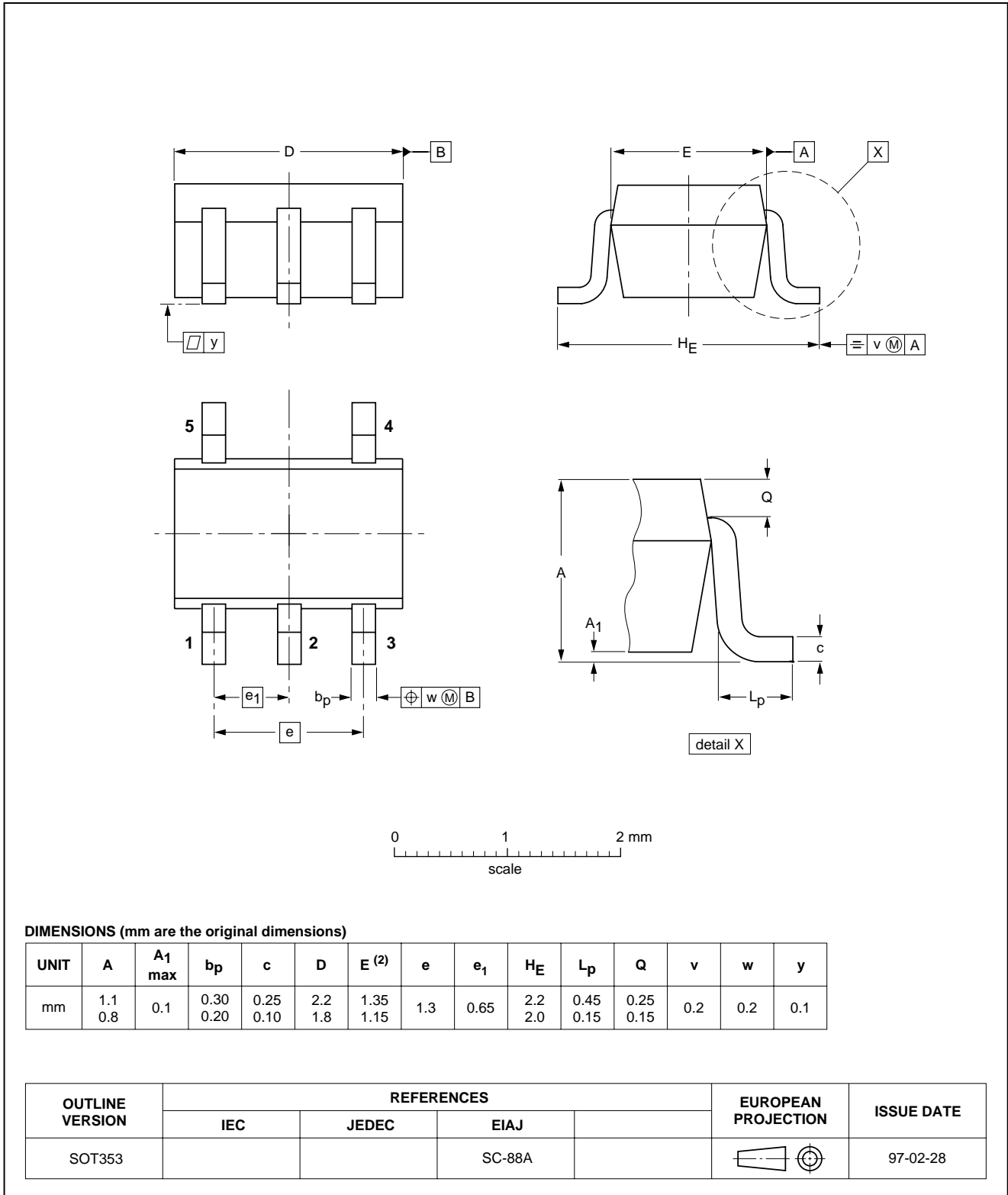
Quadruple ESD transient voltage suppressor

BZA800AL series

PACKAGE OUTLINE

Plastic surface mounted package; 5 leads

SOT353



Quadruple ESD transient voltage suppressor

BZA800AL series

DATA SHEET STATUS

DATA SHEET STATUS ⁽¹⁾	PRODUCT STATUS ⁽²⁾	DEFINITIONS
Objective data	Development	This data sheet contains data from the objective specification for product development. Philips Semiconductors reserves the right to change the specification in any manner without notice.
Preliminary data	Qualification	This data sheet contains data from the preliminary specification. Supplementary data will be published at a later date. Philips Semiconductors reserves the right to change the specification without notice, in order to improve the design and supply the best possible product.
Product data	Production	This data sheet contains data from the product specification. Philips Semiconductors reserves the right to make changes at any time in order to improve the design, manufacturing and supply. Changes will be communicated according to the Customer Product/Process Change Notification (CPCN) procedure SNW-SQ-650A.

Notes

1. Please consult the most recently issued data sheet before initiating or completing a design.
2. The product status of the device(s) described in this data sheet may have changed since this data sheet was published. The latest information is available on the Internet at URL <http://www.semiconductors.philips.com>.

DEFINITIONS

Short-form specification — The data in a short-form specification is extracted from a full data sheet with the same type number and title. For detailed information see the relevant data sheet or data handbook.

Limiting values definition — Limiting values given are in accordance with the Absolute Maximum Rating System (IEC 60134). Stress above one or more of the limiting values may cause permanent damage to the device. These are stress ratings only and operation of the device at these or at any other conditions above those given in the Characteristics sections of the specification is not implied. Exposure to limiting values for extended periods may affect device reliability.

Application information — Applications that are described herein for any of these products are for illustrative purposes only. Philips Semiconductors make no representation or warranty that such applications will be suitable for the specified use without further testing or modification.

DISCLAIMER(2)S

Life support applications — These products are not designed for use in life support appliances, devices, or systems where malfunction of these products can reasonably be expected to result in personal injury. Philips Semiconductors customers using or selling these products for use in such applications do so at their own risk and agree to fully indemnify Philips Semiconductors for any damages resulting from such application.

Right to make changes — Philips Semiconductors reserves the right to make changes, without notice, in the products, including circuits, standard cells, and/or software, described or contained herein in order to improve design and/or performance. Philips Semiconductors assumes no responsibility or liability for the use of any of these products, conveys no licence or title under any patent, copyright, or mask work right to these products, and makes no representations or warranties that these products are free from patent, copyright, or mask work right infringement, unless otherwise specified.

Quadruple ESD transient voltage suppressor

BZA800AL series

NOTES

Quadruple ESD transient voltage suppressor

BZA800AL series

NOTES

Quadruple ESD transient voltage suppressor

BZA800AL series

NOTES

Philips Semiconductors – a worldwide company

Contact information

For additional information please visit <http://www.semiconductors.philips.com>. Fax: +31 40 27 24825

For sales offices addresses send e-mail to: sales.addresses@www.semiconductors.philips.com.

© Koninklijke Philips Electronics N.V. 2002

SCA74

All rights are reserved. Reproduction in whole or in part is prohibited without the prior written consent of the copyright owner.

The information presented in this document does not form part of any quotation or contract, is believed to be accurate and reliable and may be changed without notice. No liability will be accepted by the publisher for any consequence of its use. Publication thereof does not convey nor imply any license under patent- or other industrial or intellectual property rights.

Printed in The Netherlands

613514/01/pp12

Date of release: 2002 Jan 11

Document order number: 9397 750 09173

Let's make things better.

**Philips
Semiconductors**



PHILIPS