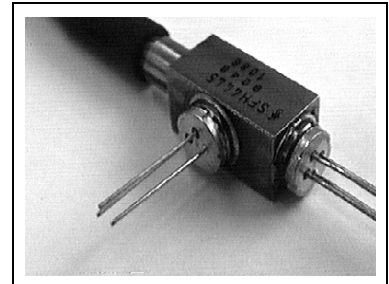


BIDI™ Transceiver Optical Module for ATM-PON ONU Applications, 1300 nm Emitting-/1550 nm Receiving function, High Power FP-Laser, InGaAs/InP-PIN Photodiode with 155 Mbit/s Transimpedance Amplifier

- Designed for applications in passive-optical networks according FSAN, ITU-G.983
- **Suitable for ONU applications, 155 Mbit/s downstream bitrate, Class B and Class C**
- Uncooled 1300 nm FPLaser Diode with Multi-Quantum Well structure
- Ternary Moniodiode at rear laser mirror for monitoring and control of radiant power
- Integrated Wavelength Division Multiplexer
- InGaAs/InP-PIN-photodiode with 1300 nm blocking filter and integrated 155 Mbit/s transimpedance amplifier
- Hermetically sealed subcomponents, similar to TO 18
- With singlemode fiber pigtail



Maximum Ratings

Output power ratings refer to the optical port. The operating temperature of the submount is identical to the case temperature

Module	Symbol	Value	Unit
Operating temperature range at case	T_C	- 40 ... + 85	°C
Storage temperature range	T_{stg}	- 40 ... + 85	°C
Soldering temperature $t_{max} = 10$ s, 2 mm distance from bottom edge of case	T_S	260	°C

Laser Diode	Symbol	Value	Unit
Direct forward current	$I_{F\ max}$	120	mA
Radiant power CW	$P_{opt\ max}$	4	mW
Reverse Voltage	$V_{R\ max}$	2	V

Monitor Diode	Symbol	Value	Unit
Reverse Voltage	$V_{R \max}$	10	V
Forward Current	$I_{F \max}$	2	mA

PIN Photodiode with Preamplifier	Symbol	Value	Unit
Maximum Voltage	$V_{CC \max}$	12	V
Maximum optical power (average)	$P_{\text{port max}}$	1	mW

Characteristics

All optical data refer to the optical port at – 40 to + 85 °C Package-Temperature.

Laser Diode	Symbol	Min	Max	Unit
Optical output power (average)	$P_{\text{opt av}}$	1	–	mW
Optical output power (peak)	$P_{\text{opt peak}}$	2	–	mW
Emission wavelength center of range ($P_{\text{opt}} = 1 \text{ mW}$)	λ	1260	1360	nm
Spectral Width (RMS, $P_{\text{opt}} = 1 \text{ mW}$)	$\Delta\lambda$	–	5.8	nm
Threshold current	I_{th}	2	45	mA
Forward voltage ($P_{\text{opt}} = 1 \text{ mW}$)	V_{F}	–	1.5	V
Radiant power at I_{th}	P_{th}	–	50	μW
Slope efficiency	S	35	150	mW/A
Variation of 1st derivative of P/I (0.1 to 2.0 mW)	dP/dI	– 30	30	%
Differential series resistance ($P_{\text{opt}} = 1 \text{ mW}$)	r_{S}	–	8	Ω
Rise and fall time (10 % - 90 %)	$t_{\text{r}}, t_{\text{f}}$	–	0.5	ns
Temperature coefficient of wavelength	TC_{λ}	–	0.5	nm/K

Monitor-Diode	Symbol	Min	Max	Unit
Dark current, $V_R = 5\text{ V}$, $P_{opt} = 0$	I_R	–	0.5	μA
Photocurrent, $P_{opt} = 1\text{ mW}$	I_P	100	1000	μA
Capacitance, $V_R = 5\text{ V}$, $f = 1\text{ MHz}$	C_5	–	10	pF
Tracking error, $V_R = 5\text{ V}$, (see note 1)	TE	– 1	1	dB

PIN Photodiode with Preamplifier	Symbol	Min	Max	Unit
Supply Voltage	V_{CC}	4.5	6	V
Supply Current	I_{CC}	–	26	mA
Optical Sensitivity ($\text{BER} \leq 10^{-10}$)	S	– 33	–	dBm
Linear Bandwidth (– 3 dB)	BW	180	–	MHz
Optical Overload (average)	P_{max}	– 8	–	dBm
Transimpedance (differential)	R_T	16	24	$\text{k}\Omega$
Gain (differential)	G	10	24	$\text{mV}/\mu\text{W}$

Module	Symbol	Value	Unit
Optical Crosstalk (see note 2)	CRT	< – 47	dB
Backreflection (Return Loss) @ $\lambda_{in} = 1310\text{ nm}$	–	< – 6	dB
Backreflection (Return Loss) @ $\lambda_{in} = 1550\text{ nm}$	–	< – 20	dB

Note 1: The tracking error TE is the variation rate of P_{opt} at constant current I_{mon} over a specified temperature range and relative to the reference point: $I_{mon,ref} = I_{mon}$ ($T = 25\text{ }^\circ\text{C}$, $P_{opt} = 1\text{ mW}$). Thus, TE is given by:

$$TE[\text{dB}] = 10 \times \log \frac{P_{opt}[T_c] - P_{opt}[25^\circ\text{C}]}{P_{opt}[25^\circ\text{C}]}$$

Note 2: Optical Crosstalk is defined as $CRT = 10 \times \log(P_2/P_1)$ with: $P_1 = P_{opt} = 1 \text{ mW}$ with no optical input power P_{port} and P_2 the necessary optical input power P_{port} at $\lambda = 1550 \text{ nm}$ to get for $P_{opt} = 0$ the same receiver signal level as before.

Accompanying Information

T = 25 °C: Threshold current, slope efficiency, monitor current for 1 mW output power, peak wavelength for 1 mW output power.

T = 85 °C: Threshold current, slope efficiency

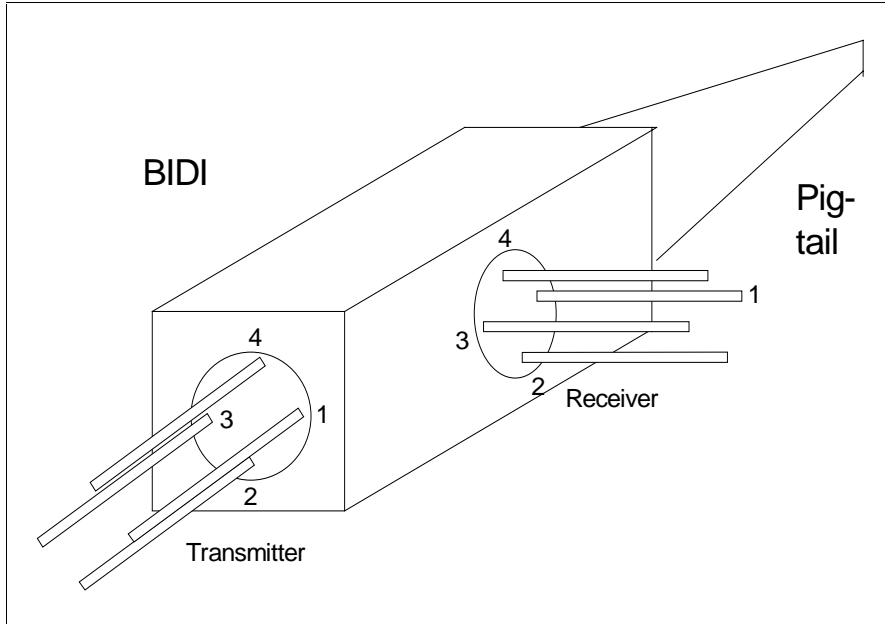
Pigtail

Fiber Pigtail, Single Mode, Silica	Min	Max	Unit
Mode field diameter	8	10	µm
Cladding diameter	123	127	µm
Mode field/cladding concentricity error	–	1	µm
Cladding non-circularity	–	2	%
Mode field non-circularity	–	6	%
Cut-off wavelength	1250	–	nm
Jacket diameter	0.8	1.0	mm
Bending radius	30	–	mm
Tensile strength fiber/case	5	–	N
Length	0.8	1.2	m

Connector

all standard connectors like FC/PC, SC, SC APC, available

Schematic Package Outline and Pinning



Transmitter

- 1 LK
- 2 Case
- 3 MK, LA
- 4 MA

Receiver

- 1 Out -
- 2 Gnd, Case
- 3 Out +
- 4 V_{CC}