

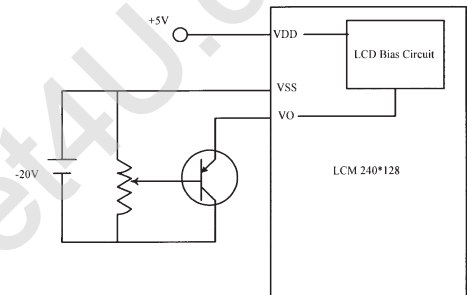
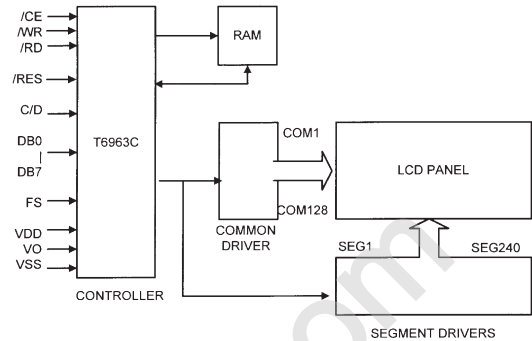
# AG-240128B

•240x128 dots 1/128 Duty

## FEATURE

1. Construction : STN/FSTN LCD, Bezel, Heat Seal, Zebra and PCB.
2. Optional : LED , EL or CCFL back-light.
3. Controller : T6963C
4. Besides +5V for logic circuit, -20V is needed for LCD driving (Optional DC/DC converter available).
5. Normal / Extended temperature type.

## BLOCK DIAGRAM & POWER SUPPLY

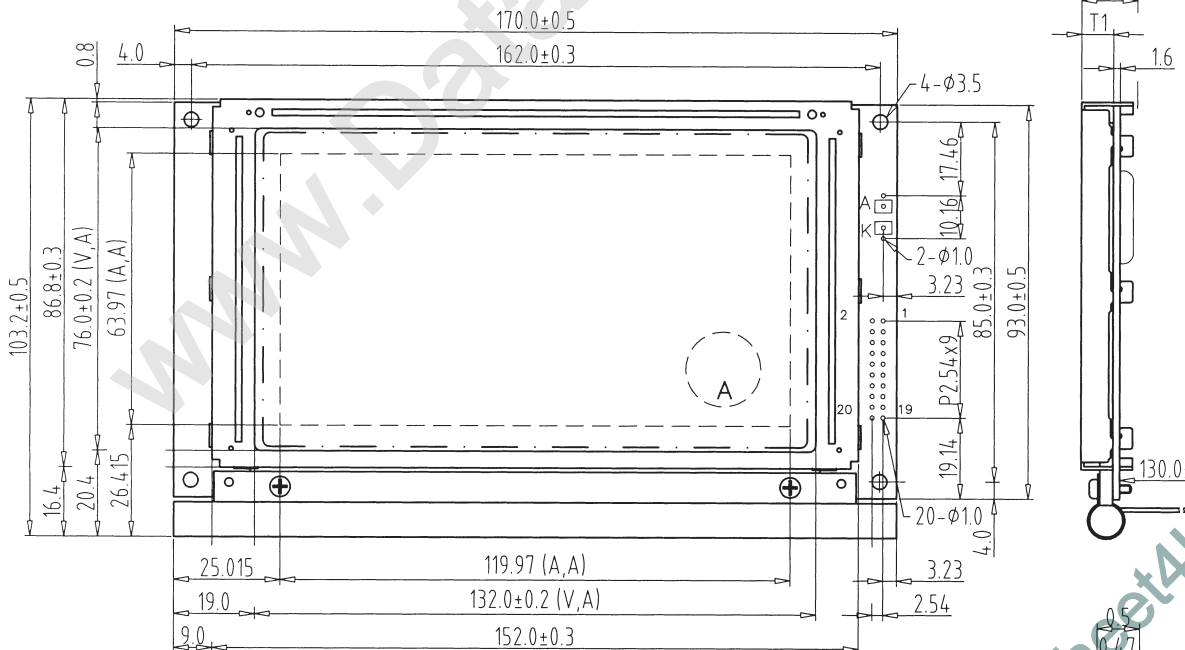


## ELECTRICAL CHARACTERISTICS

Item	Symbol	Condition	Typ. Value	Unit.
LCD Driving Voltage	VDD-VO	25°C	18.5	V
Supply Current	IDD	VDD=5.0V	15	mA

## INTERFACE

1	2	3	4	5	6	7	8	9	10
FG	VSS	VDD	VO	/WR	/RD	/CE	C/D	NC	/RES
11	12	13	14	15	16	17	18	19	20
DB0	DB1	DB2	DB3	DB4	DB5	DB6	DB7	FS	NC



THICKNESS:

VERSION	T1	T2
EL & NO BACKLIGHT	7.5 ± 0.3	14.0Max.
CCFL BACKLIGHT	7.5 ± 0.3	14.0Max.