

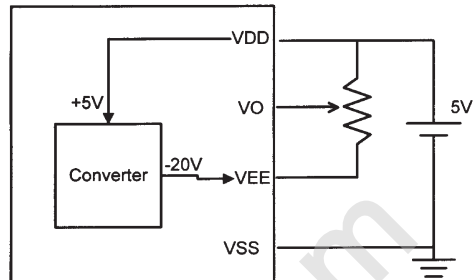
# AG-240128I

•240x128 dots 1/128 Duty

## FEATURE

- 1.Construction : STN/FSTN LCD, Bezel, Heat Seal, Zebra and PCB.
- 2.Optional LED/EL/CCFL back-light, white edge-light LED available.
- 3.Built-in Controller/Pure Driver.
- 4.5V single power input. Built-in DC/DC converter for LCD driving.
- 5.Normal / Extended temperature type.

## POWER SUPPLY



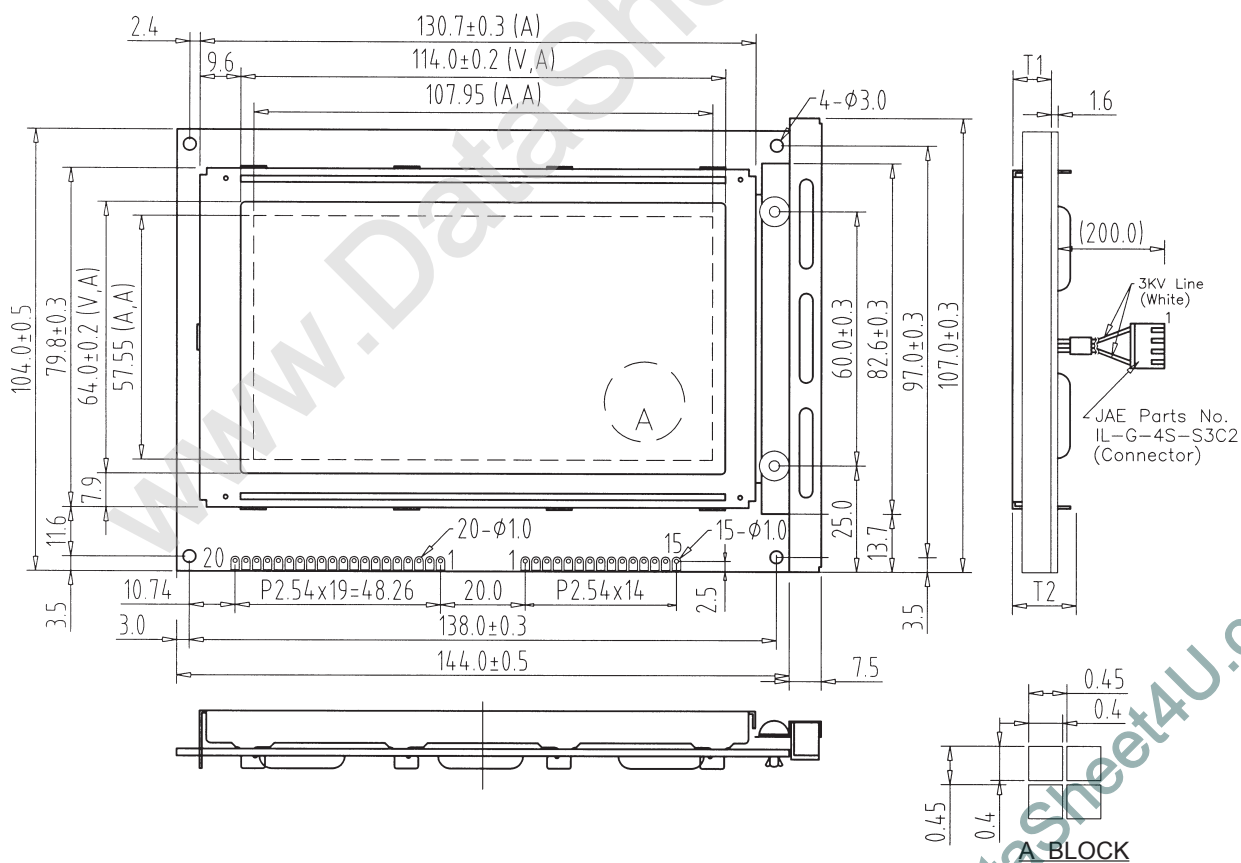
## ELECTRICAL CHARACTERISTICS

Item	Symbol	Condition	Typ.Value	Unit.
LCD Driving Voltage	VDD-VO	25°C	18.9	V
Supply Current (Controller)	IDD	VDD=5.0V	25	mA
Supply Current (Driver)	IDD	VDD=5.0V	15	mA

## BUILT-IN CONTROLLER

## PURE DRIVER

1	2	3	4	5	6	7	8	9	10	1	2	3	4	5	6	7	8	9	10
VSS	VDD	VO	C/D	/RD	/WR	DB0	DB1	DB2	DB3	FLM	CP	LP	M	VDD	VSS	VEE	DO	D1	D2
11	12	13	14	15	16	17	18	19	20	11	12	13	14	15					
DB4	DB5	DB6	DB7	/CE	/RES	VEE	MD2	FS	NC	D3	VO	/DISPOFF	A/EL1	K/EL2					



THICKNESS:

VERSION	T1	T2	A
EL & NO BACKLIGHT	5.5 ± 0.3	12.0Max	133.2 ± 0.3
LED,CCFL BACKLIGHT	9.0 ± 0.3	15.0Max	130.7 ± 0.3