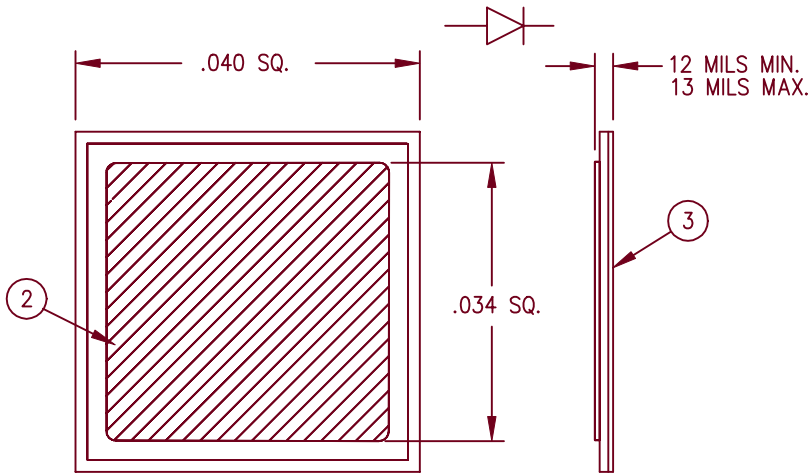


1 Amp Schottky Rectifier Die CH040S



1. Lot Acceptance testing per customer specifications. Contact factory.
MIL-PRF-19500 class K equivalent available upon request.

- ② Anode
- ③ Cathode

- Schottky Barrier Rectifier
- Guard Ring Protected
- Low Forward Voltage
- Voltages up to 100V
- LAT testing available (note 1)
- Cells with moly discs available

Electrical Characteristics

	<u>Reverse Voltage</u>	<u>Max. T_J</u>	<u>Typ. V_f @ 1A</u>	<u>Similar to</u>
CH040S0020*	20	150°C	0.45V	1N5817
CH040S0040*	40	150°C	0.55V	1N5819
CH040S0045*	45	150°C	0.58V	LSM145
CH040S0050*	50	175°C	0.67V	HSM150
CH040S0060*	60	175°C	0.69V	HSM160
CH040S0100*	100	175°C	0.84V	HSM1100

* Standard contact metal is Silver. Aluminum anode metal is available on request.
Contact factory to specify non-standard contact metal.

Thermal and Mechanical Characteristics

Max. Allowable Storage Temperature	-55°C to 175°C
Typical thermal resistance	15-25°C/Watt
Surge current at max T _J	50A @ 8.3ms half sine

NOTE: Thermal resistance (R_{ΘJC}), forward voltage drop, and surge current (I_{TSM}) ratings are heavily dependent on die to heat sink assembly methods.

6-28-01 Rev. 1