

8-BIT SINGLE-CHIP MICROCONTROLLER**DESCRIPTION**

The μ PD780232 is a member of the μ PD780232 Subseries in the 78K/0 Series.

The μ PD780232 Subseries consists of products that incorporate a VFD controller/driver for panel control.

A flash memory version, the μ PD78F0233, that can operate within the same power supply voltage range as the mask ROM version, and various development tools are also under development.

Detailed function descriptions are provided in the following user's manuals. Be sure to read them before designing.

μ PD780232 Subseries User's Manual: U13364E
78K/0 Series User's Manual Instructions: U12326E

FEATURES

- I/O ports: 40
- Internal ROM and RAM
 - Internal ROM: 16 KB
 - Internal high-speed RAM: 768 bytes
 - Internal buffer RAM: 32 bytes
 - VFD display RAM: 112 bytes
- Minimum instruction execution time can be changed from high speed (0.4 μ s) to low speed (6.4 μ s)
- VFD controller/driver: 53 display outputs (Universal grid supported)
- 8-bit resolution A/D converter: 4 channels
- Serial interface: 2 channels
- Timer: 4 channels
- Power supply voltage: $V_{DD} = 4.5$ to 5.5 V

APPLICATIONS

Monolithic mini components, separated mini components, tuners, cassette tape decks, CD/MD players, audio amplifiers, etc.

ORDERING INFORMATION

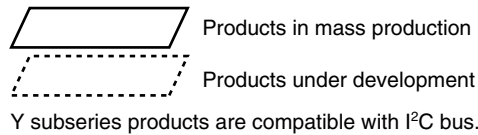
Part Number	Package
μ PD780232GC-xxx-8BT	80-pin plastic QFP (14 × 14)

Remark xxx indicates ROM code suffix.

The information in this document is subject to change without notice. Before using this document, please confirm that this is the latest version.
 Not all devices/types available in every country. Please check with local NEC representative for availability and additional information.

★ 78K/0 SERIES LINEUP

The products in the 78K/0 Series are listed below. The names enclosed in boxes are subseries names.



78K/0 Series	Control		
	100-pin	μPD78075B	EMI-noise reduced version of the μPD78078
	100-pin	μPD78078	μPD78054 with added timer and enhanced external interface
	100-pin	μPD78070A	ROMless version of the μPD78078
	100-pin	μPD780018AY	μPD78078Y with enhanced serial I/O and limited function
	80-pin	μPD780058	μPD78054 with enhanced serial I/O
	80-pin	μPD78058F	EMI-noise reduced version of the μPD78054
	80-pin	μPD78054	μPD78018F with added UART and D/A converter and enhanced I/O
	80-pin	μPD780065	μPD780024A with expanded RAM capacity
	64-pin	μPD780078	μPD780034A with added timer and enhanced serial I/O
	64-pin	μPD780034A	μPD780024A with enhanced A/D converter
	64-pin	μPD780024A	μPD78018F with enhanced serial I/O
	64-pin	μPD78014H	EMI-noise reduced version of the μPD78018F
	64-pin	μPD78018F	Basic subseries for control
	42-/44-pin	μPD78083	On-chip UART, capable of operating at low voltage (1.8 V)
	Inverter control		
	64-pin	μPD780988	On-chip inverter controller and UART. EMI-noise reduced.
	VFD drive		
	100-pin	μPD780208	μPD78044F with enhanced I/O and VFD C/D. Display output total: 53
	80-pin	μPD780232	For panel control. On-chip VFD C/D. Display output total: 53
80-pin	μPD78044H	μPD78044F with added N-ch open-drain I/O. Display output total: 34	
80-pin	μPD78044F	Basic subseries for VFD drive. Display output total: 34	
LCD drive			
120-pin	μPD780338	μPD780308 with enhanced display capacity and timer. Segment signal output: 40 pins max.	
120-pin	μPD780328	μPD780308 with enhanced display capacity and timer. Segment signal output: 32 pins max.	
120-pin	μPD780318	μPD780308 with enhanced display capacity and timer. Segment signal output: 24 pins max.	
100-pin	μPD780308	μPD78064 with enhanced SIO, and expanded ROM, RAM capacity	
100-pin	μPD78064B	EMI-noise reduced version of the μPD78064	
100-pin	μPD78064	Basic subseries for LCD drive, on-chip UART	
Bus interface supported			
100-pin	μPD780948	On-chip DCAN controller	
80-pin	μPD78098B	μPD78054 with added IEBus™ controller. EMI-noise reduced.	
80-pin	μPD780701Y	On-chip DCAN/IEBus controller	
80-pin	μPD780833Y	On-chip controller compliant with J1850 (Class 2)	
Meter control			
100-pin	μPD780958	For industrial meter control	
80-pin	μPD780852	On-chip automobile meter controller/driver	
80-pin	μPD780824	For automobile meter driver. On-chip DCAN controller	

Remark VFD (Vacuum Fluorescent Display) is referred to as FIP™ (Fluorescent Indicator Panel) in some documents, but the functions of the two are the same.

The major functional differences among the subseries are shown below.

Subseries Name	Function	ROM Capacity	Timer				8-Bit A/D	10-Bit A/D	8-Bit D/A	Serial Interface	I/O	V _{DD} MIN. Value	External Expansion	
			8-Bit	16-Bit	Watch	WDT								
Control	μPD78075B	32 K to 40 K	4 ch	1 ch	1 ch	1 ch	8 ch	-	2 ch	3 ch (UART: 1 ch)	88	1.8 V	√	
	μPD78078	48 K to 60 K									61	2.7 V		
	μPD78070A	-	2 ch	-	-	-	-	-	-	3 ch (time-division UART: 1 ch)	68	1.8 V	-	
	μPD780058	24 K to 60 K									69	2.7 V		
	μPD78058F	48 K to 60 K	-	-	-	-	-	-	-	3 ch (UART: 1 ch)	69	2.7 V	-	
	μPD78054	16 K to 60 K									2.0 V			
	μPD780065	40 K to 48 K	2 ch	-	-	-	-	-	-	-	4 ch (UART: 1 ch)	60	2.7 V	-
	μPD780078	48 K to 60 K										52	1.8 V	
	μPD780034A	8 K to 32 K	1 ch	-	-	-	-	-	-	-	3 ch (UART: 1 ch)	51	-	
	μPD780024A	8 K to 32 K										8 ch		-
	μPD78014H	8 K to 32 K	-	-	-	-	-	-	-	-	2 ch	53	-	
	μPD78018F	8 K to 60 K												
	μPD78083	8 K to 16 K	-	-	-	-	-	-	-	-	1 ch (UART: 1 ch)	33	-	-
Inverter control	μPD780988	16 K to 60 K	3 ch	Note	-	1 ch	-	8 ch	-	3 ch (UART: 2 ch)	47	4.0 V	√	
VFD drive	μPD780208	32 K to 60 K	2 ch	1 ch	1 ch	1 ch	8 ch	-	-	2 ch	74	2.7 V	-	
	μPD780232	16 K to 24 K	3 ch	-	-	-	4 ch	-	-	-	40	4.5 V		
	μPD78044H	32 K to 48 K	2 ch	1 ch	1 ch	-	8 ch	-	-	1 ch	68	2.7 V		
	μPD78044F	16 K to 40 K	-	-	-	-	-	-	-	2 ch	-	-		
LCD drive	μPD780338	48 K to 60 K	3 ch	2 ch	1 ch	1 ch	-	10 ch	1 ch	2 ch (UART: 1 ch)	54	1.8 V	-	
	μPD780328										62			
	μPD780318										70			
	μPD780308	48 K to 60 K	2 ch	1 ch	-	-	8 ch	-	-	3 ch (time-division UART: 1 ch)	57	2.0 V		
	μPD78064B	32 K									2 ch (UART: 1 ch)			
	μPD78064	16 K to 32 K												
Bus interface supported	μPD780948	60 K	2 ch	2 ch	1 ch	1 ch	8 ch	-	-	3 ch (UART: 1 ch)	79	4.0 V	√	
	μPD78098B	40 K to 60 K		1 ch	-	-	-	-	2 ch		69	2.7 V	-	
Meter control	μPD780958	48 K to 60 K	4 ch	2 ch	-	1 ch	-	-	-	2 ch (UART: 1 ch)	69	2.2 V	-	
Dash-board control	μPD780852	32 K to 40 K	3 ch	1 ch	1 ch	1 ch	5 ch	-	-	3 ch (UART: 1 ch)	56	4.0 V	-	
	μPD780824	32 K to 60 K									2 ch (UART: 1 ch)			59

Note 16-bit timer: 2 channels
10-bit timer: 1 channel

FUNCTION OVERVIEW

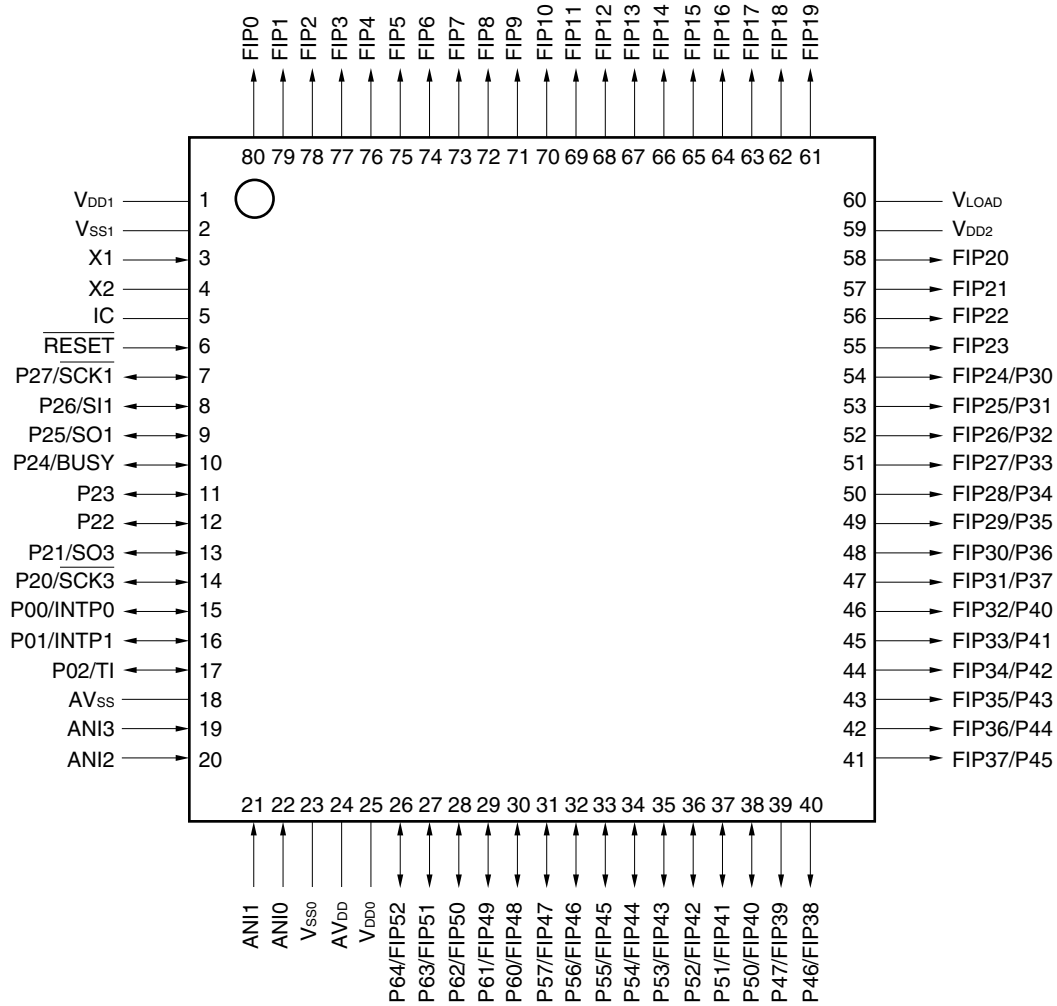
Item		Function
Internal memory	ROM	16 KB
	High-speed RAM	768 bytes
	Buffer RAM	32 bytes
	VFD display RAM	112 bytes
General-purpose register		8 bits × 32 registers (8 bits × 8 registers × 4 banks)
Minimum instruction execution time		<ul style="list-style-type: none"> • On-chip minimum instruction execution time variable function • 0.4 μs/0.8 μs/1.6 μs/3.2 μs/6.4 μs (@ 5.0 MHz operation with system clock)
Instruction set		<ul style="list-style-type: none"> • Multiply/divide (8 bits × 8 bits, 16 bits ÷ 8 bits) • Bit manipulation (set, reset, test, Boolean operation)
I/O ports (including alternate-function pins for VFD)		Total: 40 <ul style="list-style-type: none"> • CMOS I/Os: 11 • P-ch open-drain I/Os: 13 • P-ch open-drain outputs: 16
VFD controller/driver		Total of display outputs: 53 <ul style="list-style-type: none"> • 15 mA display current: 20 • 5 mA display current: 33
A/D converter		<ul style="list-style-type: none"> • 8-bit resolution × 4 channels • Power supply voltage: AV_{DD} = 4.5 to 5.5 V
Serial interface		<ul style="list-style-type: none"> • 3-wire serial mode (automatic transmit/receive function): 1 channel • 2-wire serial mode (transmit only): 1 channel
Timer		<ul style="list-style-type: none"> • 8-bit remote control timer: 1 channel • 8-bit timer: 2 channels • Watchdog timer: 1 channel
Vectored interrupt sources	Maskable	Internal: 10, external: 2
	Non-maskable	Internal: 1
	Software	1
Power supply voltage		V _{DD} = 4.5 to 5.5 V
Package		80-pin plastic QFP (14 × 14)

CONTENTS

1. PIN CONFIGURATION (TOP VIEW)	6
2. BLOCK DIAGRAM	8
3. PIN FUNCTIONS	9
3.1 Port Pins	9
3.2 Non-Port Pins	10
3.3 Pin I/O Circuits and Recommended Connection of Unused Pins	11
4. MEMORY SPACE	13
5. PERIPHERAL HARDWARE FUNCTION FEATURES	14
5.1 Port	14
5.2 Clock Generator	15
5.3 Timer/Event Counter	15
5.4 A/D Converter	18
5.5 Serial Interface	18
5.6 VFD Controller/Driver	19
6. INTERRUPT FUNCTIONS	21
7. STANDBY FUNCTION	24
8. RESET FUNCTION	24
★ 9. MASK OPTION	24
10. INSTRUCTION SET	25
11. ELECTRICAL SPECIFICATIONS	28
12. PACKAGE DRAWING	42
★ 13. RECOMMENDED SOLDERING CONDITIONS	43
APPENDIX A. DEVELOPMENT TOOLS	44
APPENDIX B. RELATED DOCUMENTS	47

1. PIN CONFIGURATION (TOP VIEW)

- 80-pin plastic QFP (14 × 14)
μPD780232GC-xxx-8BT

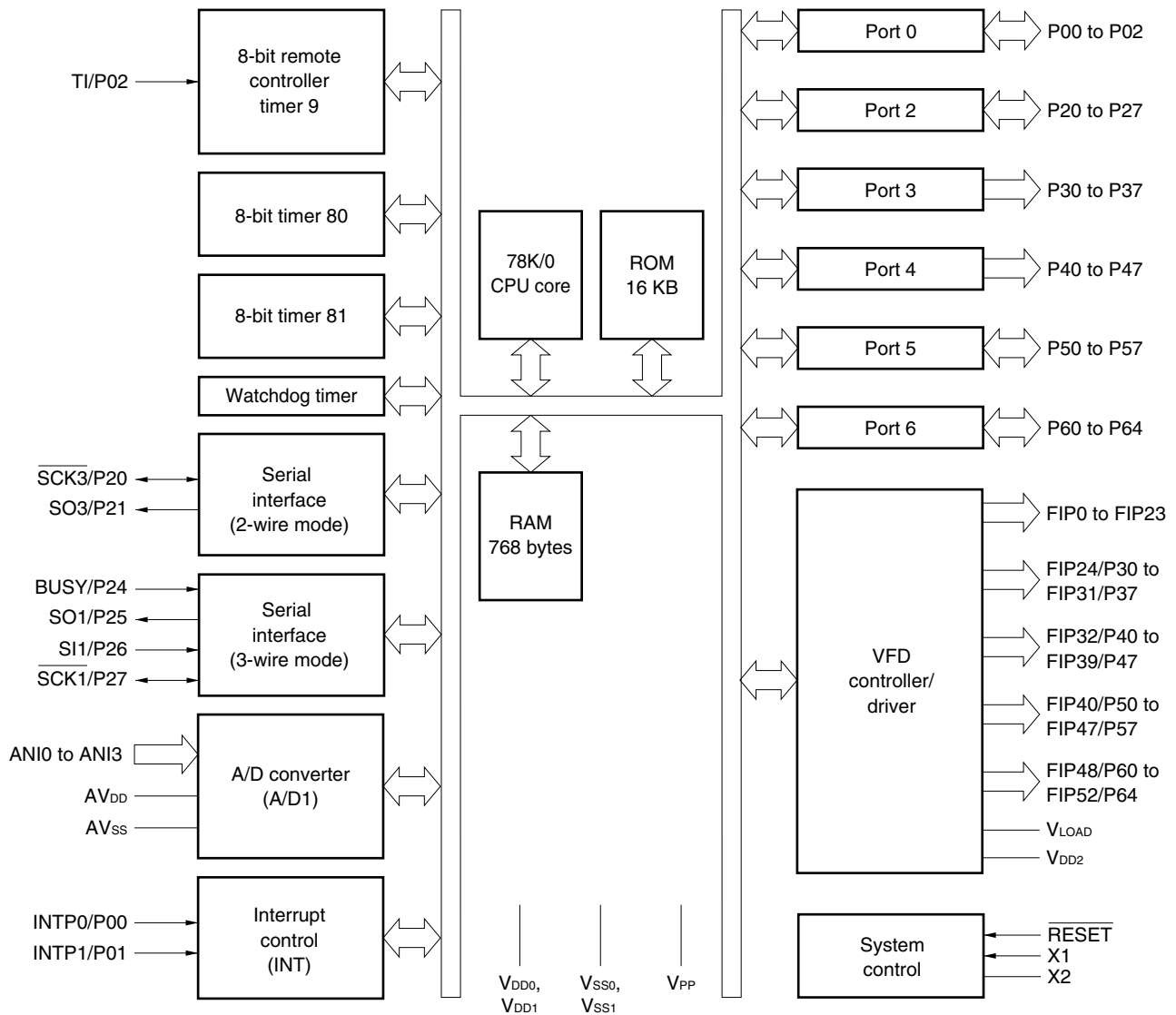


- Cautions**
1. Connect directly the IC (Internally Connected) pin to VSS1.
 2. Connect the AVDD pin to VDD1.
 3. Connect the AVSS pin to VSS1.

Remark When the μPD780232 is used in application fields that require reduction of the noise from inside the microcontroller, the implementation of noise reduction measures, such as supplying voltage to VDD0 and VDD1 individually and connecting VSS0 and VSS1 to different ground lines, is recommended.

ANI0 to ANI3:	Analog input	P50 to P57:	Port 5
AV _{DD} :	Analog power supply	P60 to P64:	Port 6
AV _{SS} :	Analog ground	$\overline{\text{RESET}}$:	Reset
BUSY:	Busy	$\overline{\text{SCK1}}$, $\overline{\text{SCK3}}$:	Serial clock
FIP0 to FIP52:	Fluorescent indicator panel	SI1:	Serial input
IC:	Internally connected	SO1, SO3:	Serial output
INTP0, INTP1	External interrupt input	TI:	Timer input
P00 to P02:	Port 0	V _{DD0} to V _{DD2} :	Power supply
P20 to P27:	Port 2	V _{LOAD} :	Negative power supply
P30 to P37:	Port 3	V _{SS0} , V _{SS1} :	Ground
P40 to P47:	Port 4	X1, X2:	Crystal

2. BLOCK DIAGRAM



3. PIN FUNCTIONS

3.1 Port Pins

Pin Name	I/O	Function	After Reset	Alternate Function
P00	I/O	Port 0. 3-bit I/O port. Input/output can be specified in 1-bit units. When used as an input port, an on-chip pull-up resistor can be specified by software.	Input	INTP0
P01				INTP1
P02				TI
P20	I/O	Port 2. 8-bit I/O port. Input/output can be specified in 1-bit units. When used as an input port, an on-chip pull-up resistor can be specified by software.	Input	SCK3
P21				SO3
P22, P23				—
P24				BUSY
P25				SO1
P26				SI1
P27				SCK1
P30 to P37	Output	Port 3. P-ch open-drain 8-bit high-tolerance output port. A pull-down resistor can be incorporated in 1-bit units to V _{LOAD} by mask option.	Output	FIP24 to FIP31
P40 to P47	Output	Port 4. P-ch open-drain 8-bit high-tolerance output port. A pull-down resistor can be incorporated in 1-bit units to V _{LOAD} by mask option.	Output	FIP32 to FIP39
P50 to P57	I/O	Port 5. P-ch open-drain 8-bit high-tolerance I/O port. Input/output can be specified in 1-bit units. A pull-down resistor can be incorporated in 1-bit units by mask option (Connection to V _{LOAD} or V _{SS0} can be specified in 1-bit units).	Input	FIP40 to FIP47
P60 to P64	I/O	Port 6. P-ch open-drain 5-bit high-tolerance I/O port. Input/output can be specified in 1-bit units. A pull-down resistor can be incorporated in 1-bit units by mask option (Connection to V _{LOAD} or V _{SS0} can be specified in 1-bit units).	Input	FIP48 to FIP52

3.2 Non-Port Pins

Pin Name	I/O	Function	After Reset	Alternate Function
INTP0	Input	External interrupt request input for which the valid edge (rising edge, falling edge, or both rising and falling edges) can be specified.	Input	P00
INTP1				P01
TI	Input	8-bit remote control timer 9 (TM9) timer input	Input	P02
SCK3	I/O	Serial interface serial clock input/output	Input	P20
SO3	Output	Serial interface serial data output	Input	P21
BUSY	Input	Serial interface automatic transmit/receive busy signal input	Input	P24
SO1	Output	Serial interface serial data output	Input	P25
SI1	Input	Serial interface serial data input	Input	P26
SCK1	I/O	Serial interface serial clock input/output	Input	P27
FIP0 to FIP23	Output	VFD controller/driver high-tolerance large current output. A pull-down resistor can be incorporated to V _{LOAD} in 1-bit units by a mask option.	Output	—
FIP24 to FIP31				P30 to P37
FIP32 to FIP39				P40 to P47
FIP40 to FIP47		VFD controller/driver high-tolerance large current output. A pull-down resistor can be incorporated in 1-bit units by a mask option (Connection to V _{LOAD} or V _{SS0} can be specified in 1-bit units).	Input	P50 to P57
FIP48 to FIP52				P60 to P64
V _{LOAD}	—	Connecting pull-down resistor for VFD controller/driver	—	—
RESET	Input	System reset input	—	—
X1	Input	Connecting crystal resonator for system clock oscillation	—	—
X2	—		—	—
ANI0 to ANI3	Input	A/D converter analog input	Input	—
AV _{DD}	—	A/D converter analog power supply/reference voltage input. Make the same potential as V _{DD1} .	—	—
AV _{SS}	—	A/D converter ground potential. Make the same potential as V _{SS1} .	—	—
V _{DD0}	—	Positive power supply for ports	—	—
V _{DD1}	—	Positive power supply except for ports, analog block, and VFD controller/driver	—	—
V _{DD2}	—	Positive power supply for VFD controller/driver	—	—
V _{SS0}	—	Ground potential for ports	—	—
V _{SS1}	—	Ground potential except for ports and analog block	—	—
IC	—	Internally connected. Connect directly to V _{SS1} .	—	—

3.3 Pin I/O Circuits and Recommended Connection of Unused Pins

The I/O circuit type of each pin and the recommended connection of unused pins are shown in Table 3-1.

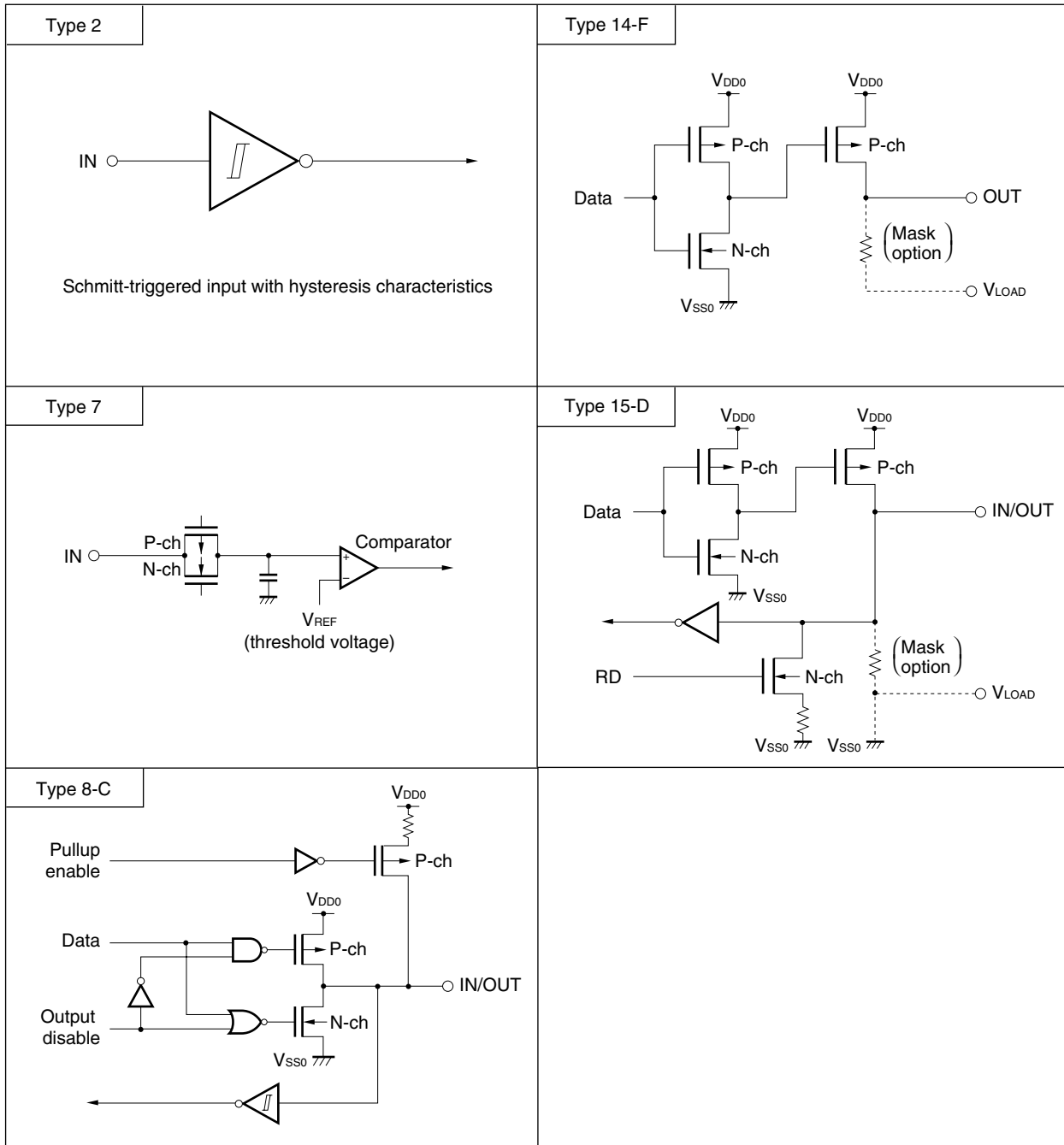
For the I/O circuit configuration of each type, see **Figure 3-1**.

★

Table 3-1. Types of Pin I/O Circuits

Pin Name	I/O Circuit Type	I/O	Recommended Connection of Unused Pins	
P00/INTP0	8-C	I/O	Input: Independently connect to V _{SS0} via a resistor.	
P01/INTP1			Output: Leave open.	
P02/TI			Input: Independently connect to V _{DD0} or V _{SS0} via a resistor.	
P20/SCK3				Output: Leave open.
P21/SO3				
P22, P23				
P24/BUSY				
P25/SO1				
P26/SI1				
P27/SCK1				
P30/FIP24 to P37/FIP31	14-F	Output	Leave open.	
P40/FIP32 to P47/FIP39	15-D	I/O	Input: Independently connect to V _{DD0} or V _{SS0} via a resistor.	
P50/FIP40 to P57/FIP47			Output: Leave open.	
P60/FIP48 to P64/FIP52	14-F	Output	Leave open.	
FIP0 to FIP23			—	
RESET	2	Input	—	
ANI0 to ANI3	7		Connect to V _{DD0} or V _{SS0} .	
AV _{DD}	—	—	Connect to V _{DD1} .	
AV _{SS}			Connect to V _{SS1} .	
V _{LOAD}			Connect directly to V _{SS1} .	
IC				

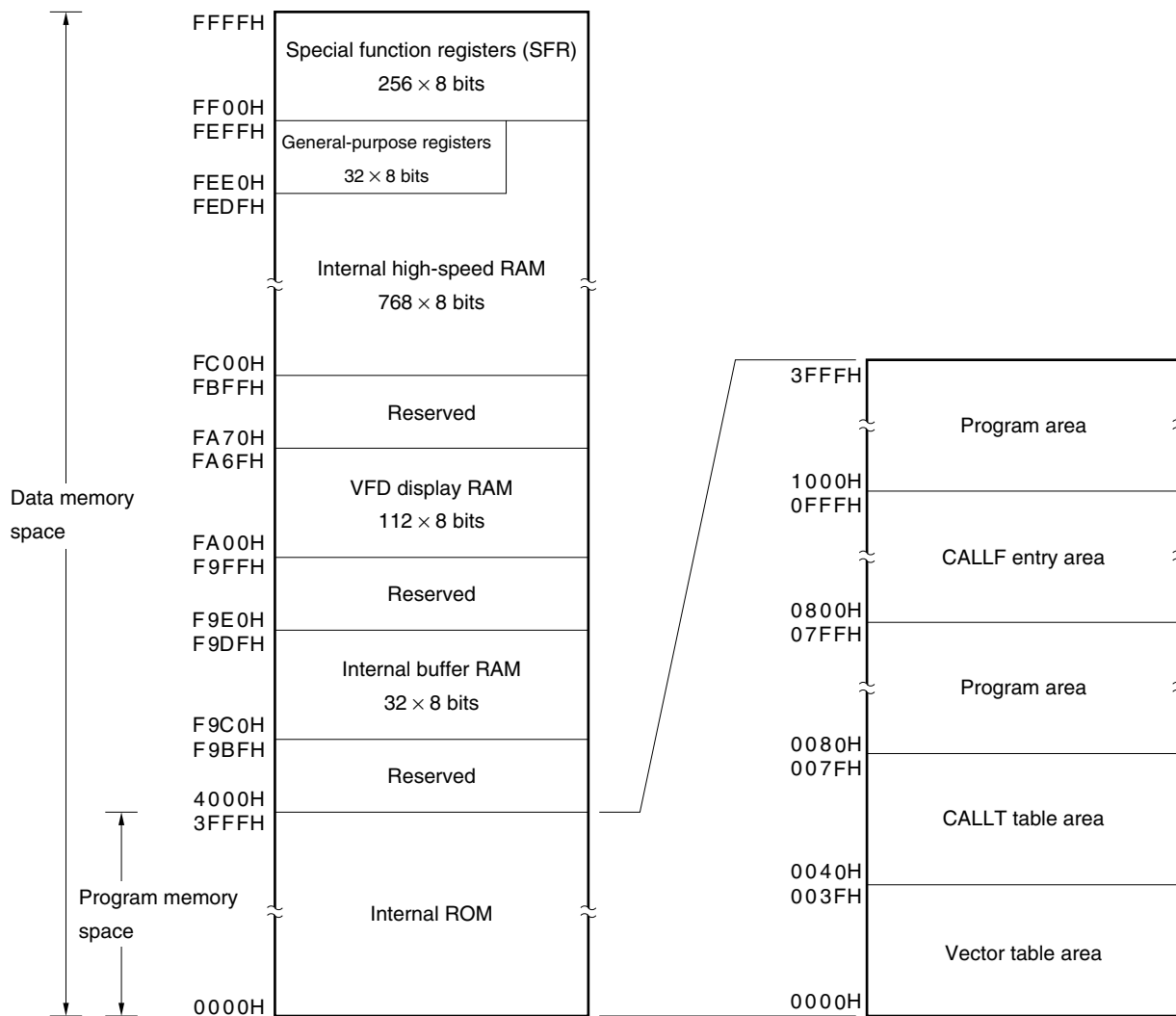
Figure 3-1. Pin I/O Circuits



4. MEMORY SPACE

The memory map of the μPD780232 is shown in Figure 4-1.

Figure 4-1. Memory Map



5. PERIPHERAL HARDWARE FUNCTION FEATURES

5.1 Port

There are three kinds of I/O ports.

• CMOS I/O (ports 0, 2):	11
• P-ch open-drain output (ports 3, 4):	16
• P-ch open-drain I/O (ports 5, 6):	13
Total:	40

Table 5-1. Port Functions

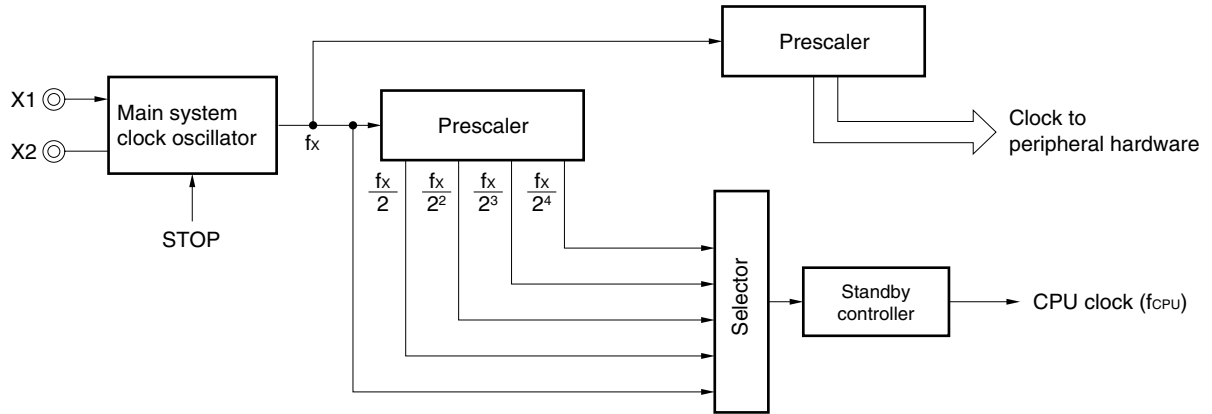
Name	Pin Name	Function
Port 0	P00 to P02	I/O port. Input/output can be specified in 1-bit units. When used as an input port, an on-chip resistor can be specified by software.
Port 2	P20 to P27	I/O port. Input/output can be specified in 1-bit units. When used as an input port, an on-chip resistor can be specified by software.
Port 3	P30 to P37	P-ch open-drain high-tolerance output port. A pull-down resistor can be incorporated in 1-bit units to V_{LOAD} by a mask option.
Port 4	P40 to P47	P-ch open-drain high-tolerance output port. A pull-down resistor can be incorporated in 1-bit units to V_{LOAD} by a mask option.
Port 5	P50 to P57	P-ch open-drain high-tolerance I/O port. Input/output can be specified in 1-bit units. A pull-down resistor can be incorporated in 1-bit units by a mask option (Connection to V_{LOAD} or V_{SS0} can be specified in 1-bit units).
Port 6	P60 to P64	P-ch open-drain high-tolerance I/O port. Input/output can be specified in 1-bit units. A pull-down resistor can be incorporated in 1-bit units by a mask option (Connection to V_{LOAD} or V_{SS0} can be specified in 1-bit units).

5.2 Clock Generator

The minimum instruction execution time can be changed.

- 0.4 μs/0.8 μs/1.6 μs/3.2 μs/6.4 μs (@ 5.0 MHz operation with main system clock)

Figure 5-1. Clock Generator Block Diagram



5.3 Timer/Event Counter

Four timer/event counter channels are incorporated.

- 8-bit remote control timer: 1 channel
- 8-bit timer: 2 channels
- Watchdog timer: 1 channel

Table 5-2. Timer/Event Counter Operations

		8-Bit Remote Control Timer	8-Bit Timer	Watchdog Timer
Operation mode	Interval timer	—	2 channels	1 channel
Function	Pulse width measurement	1 input	—	—
	Interrupt source	3	2	1

Figure 5-2. Block Diagram of 8-Bit Remote Control Timer (TM9)

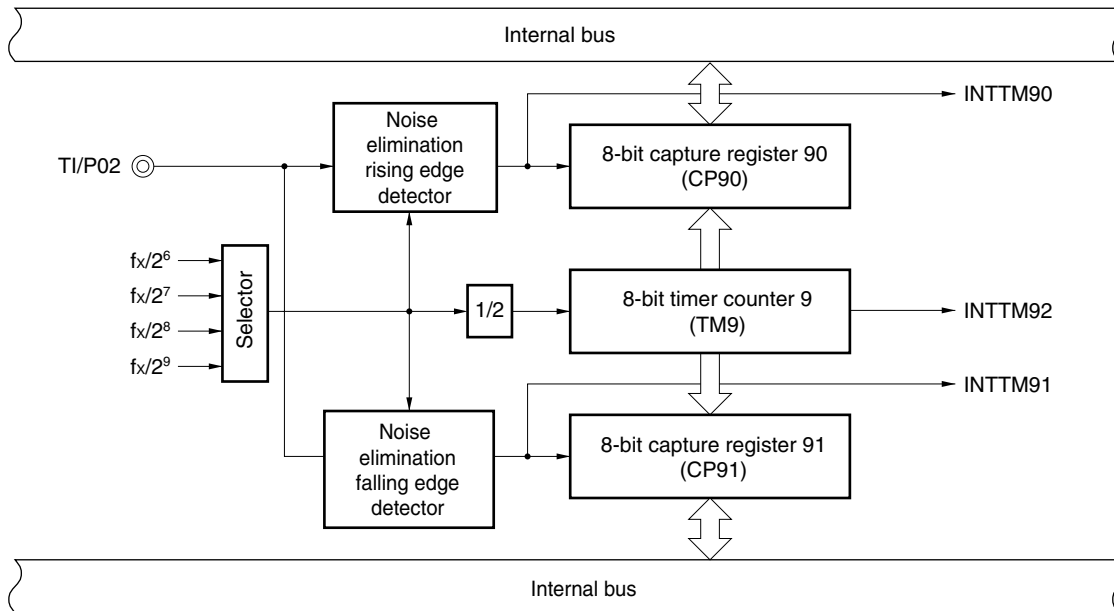


Figure 5-3. Block Diagram of 8-Bit Timer (TM80)

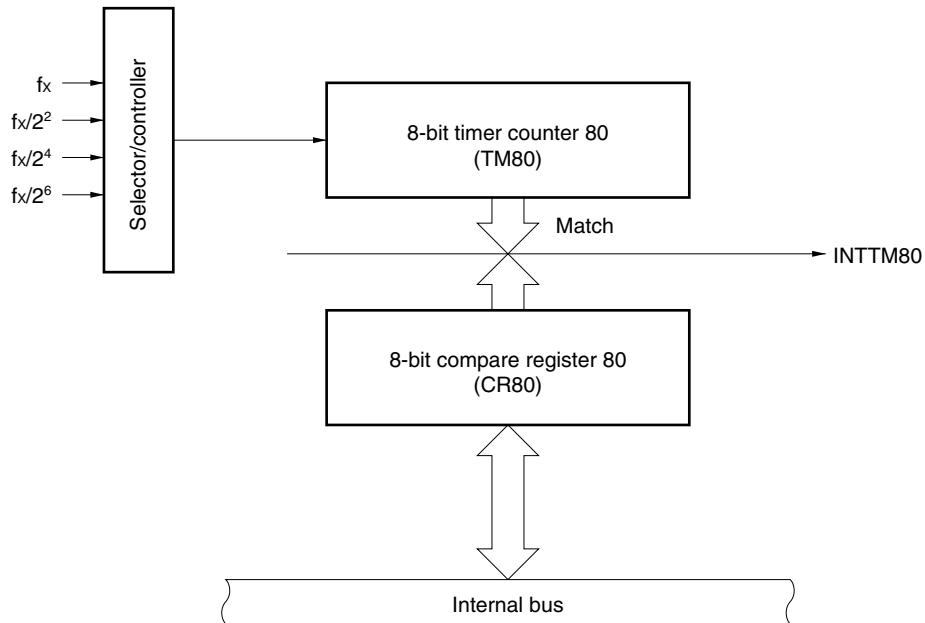
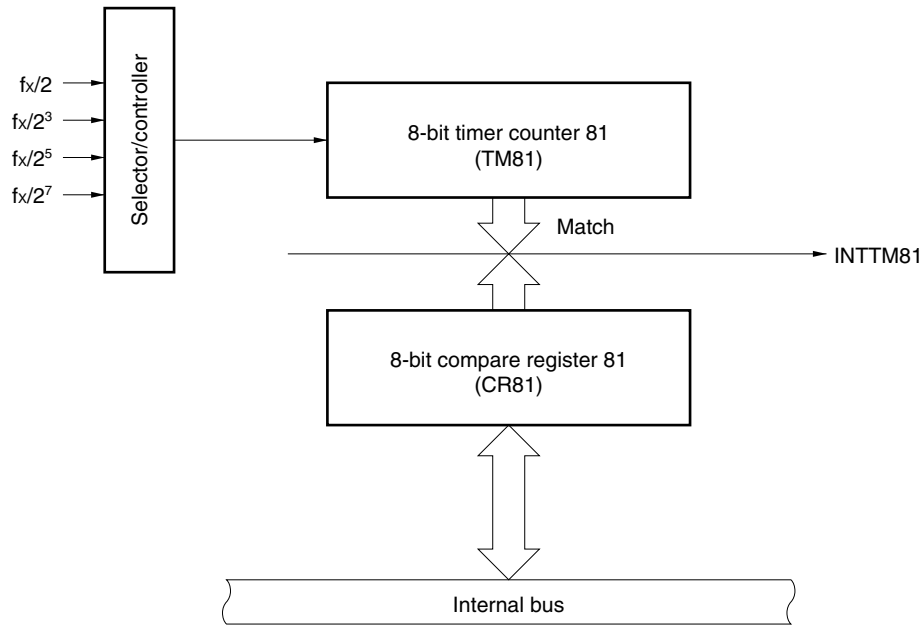
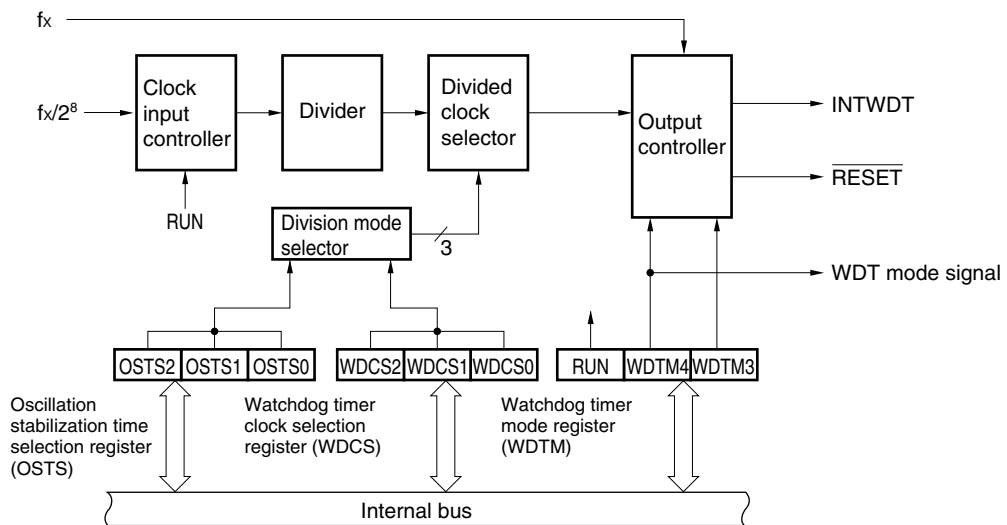


Figure 5-4. Block Diagram of 8-Bit Timer (TM81)



★

Figure 5-5. Watchdog Timer Block Diagram

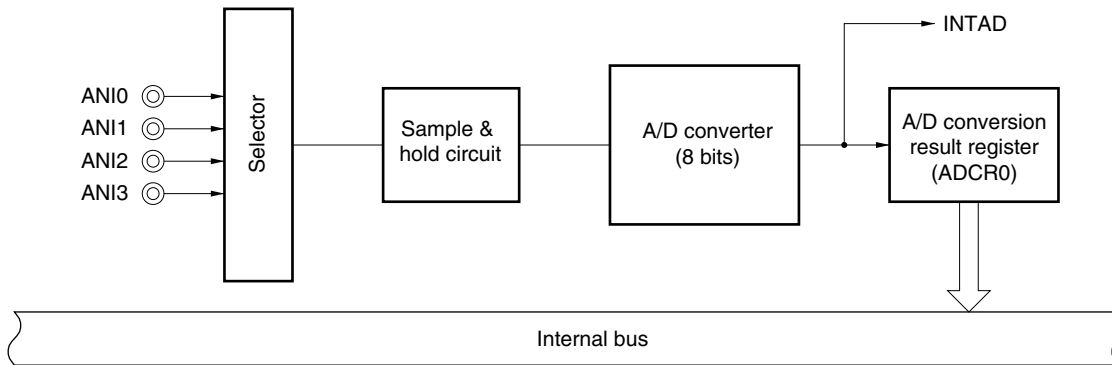


5.4 A/D Converter

An 8-bit resolution 4-channel A/D converter is incorporated.

A/D conversion can be started by software only.

Figure 5-6. A/D Converter Block Diagram



5.5 Serial Interface

Two clocked serial interface channels are incorporated.

Serial interface SIO1 operates in the 3-wire serial mode (with automatic transmit/receive function), in which MSB first/LSB first switching is possible.

Serial interface SIO3 operates in the 2-wire serial mode (transmit only) in which the first bit is fixed to MSB.

Figure 5-7. Serial Interface SIO1 Block Diagram

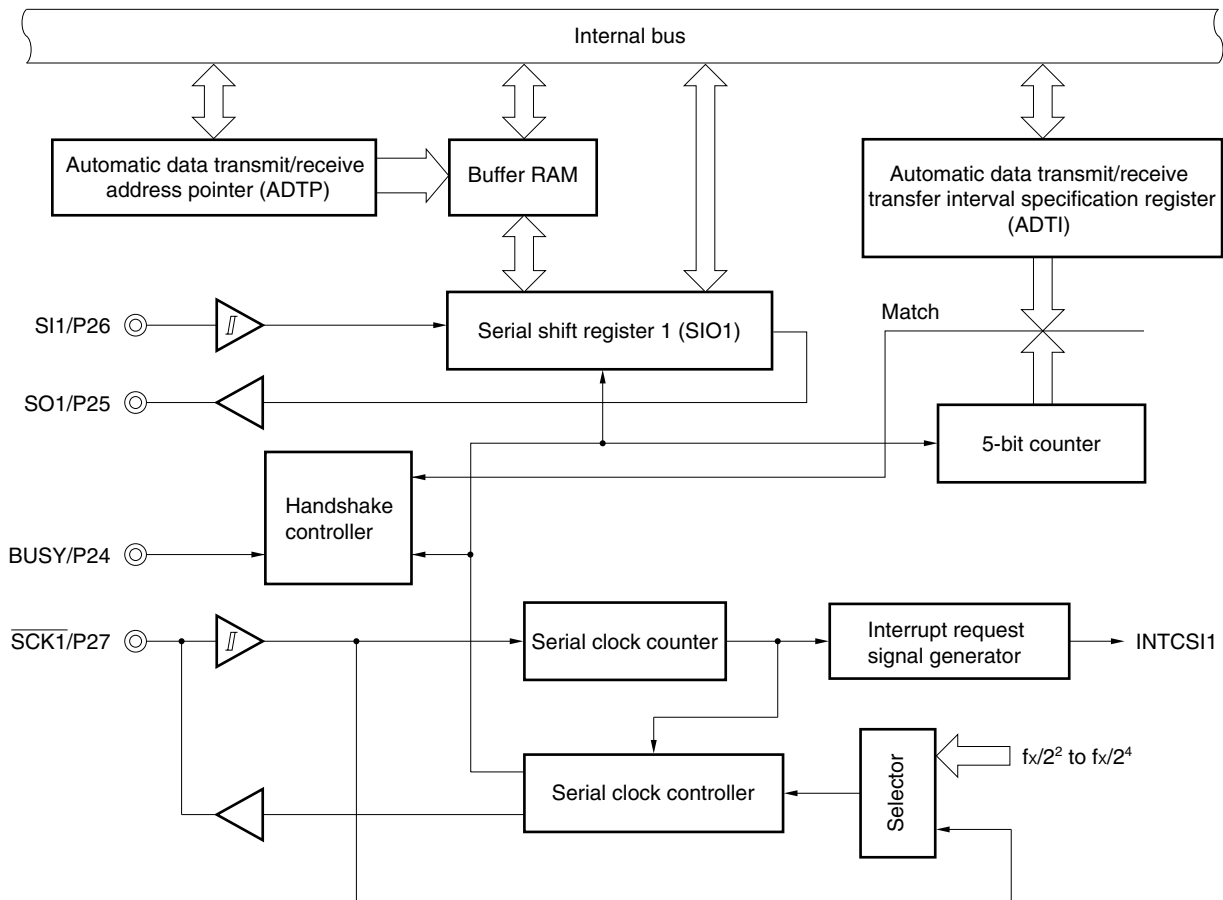
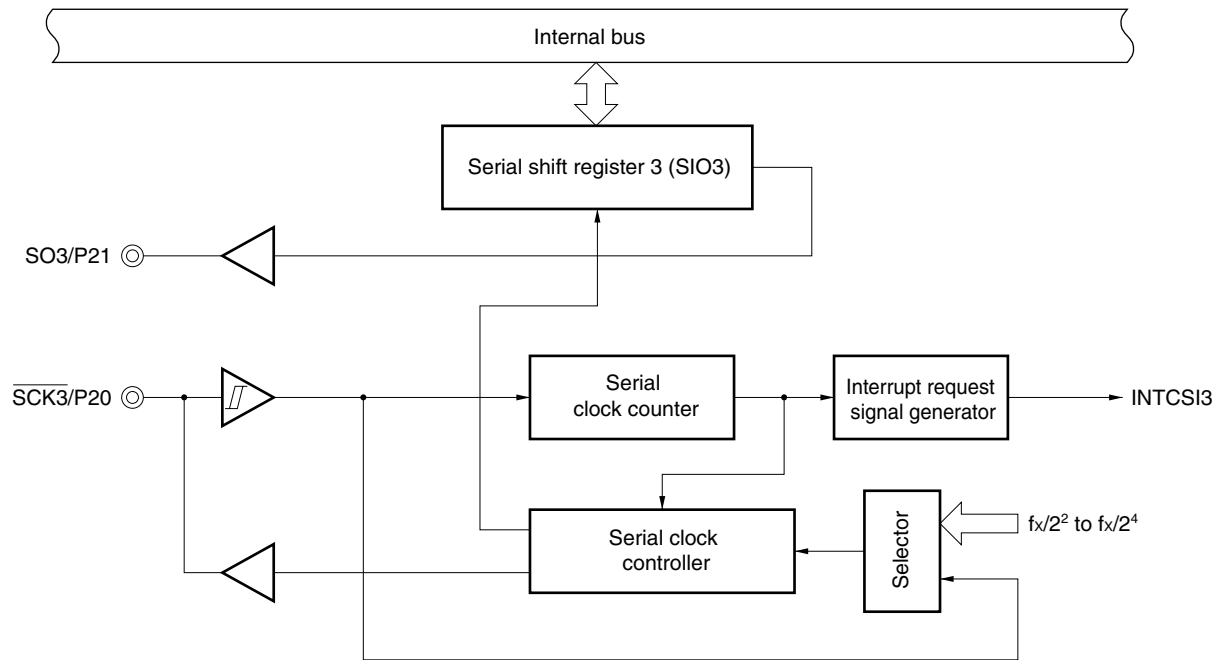


Figure 5-8. Serial Interface SIO3 Block Diagram

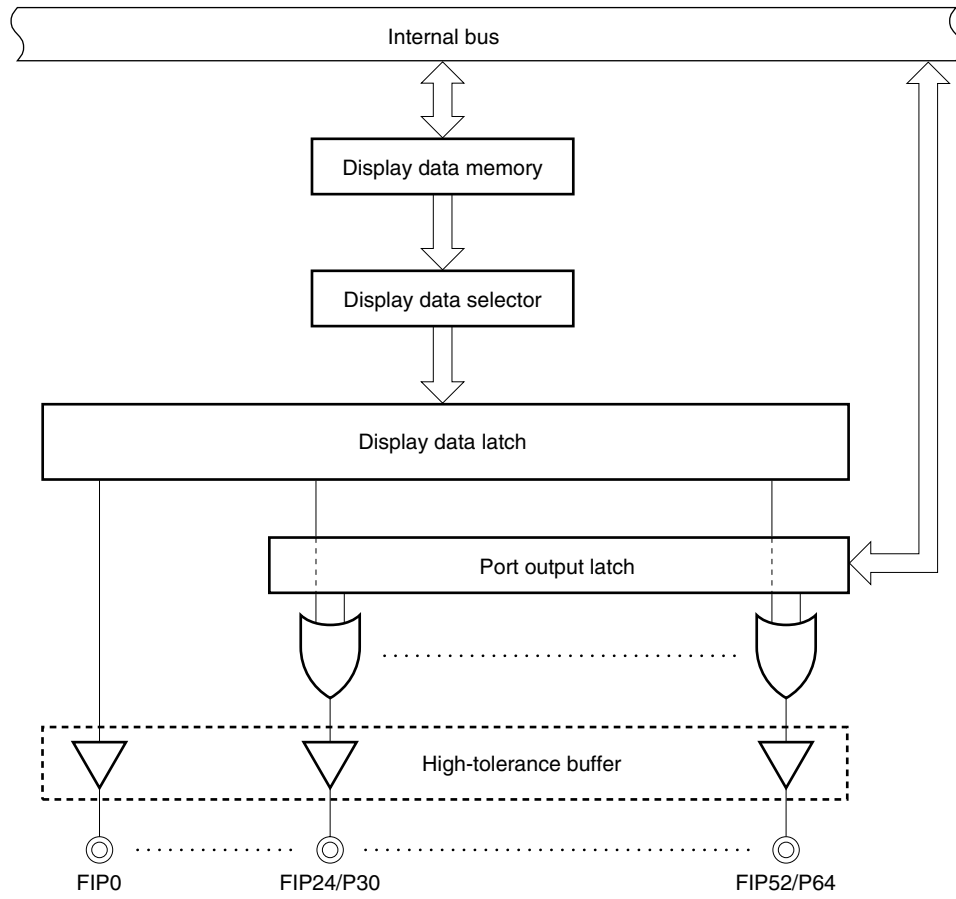


5.6 VFD Controller/Driver

A VFD controller/driver with the following functions is incorporated.

- Total number of display outputs: 53. Output of 16 patterns is enabled.
- 112-byte display RAM is provided to enable display signal output by reading display data automatically (direct memory access (DMA)).
- A port pin that is not used for VFD display can be used as an output port or an I/O port (except for FIP0 to FIP23, which are VFD output-only pins).
- The luminance can be adjusted in 8 levels using display mode register 1 (DSPM1).
- Hardware taking into consideration the key scan application is incorporated.
- Whether the key scan timing is inserted or not is selectable.
- A high-tolerance output buffer (VFD driver) that can drive the VFD directly is incorporated.
- VFD output pins can incorporate a pull-down resistor, set by a mask option.

Figure 5-9. VFD Controller/Driver Block Diagram



6. INTERRUPT FUNCTIONS

There are 3 types of interrupt functions.

- Non-maskable: 1
- Maskable: 12
- Software: 1

Table 6-1. Interrupt Source List

Interrupt Type	Default Priority ^{Note 1}	Interrupt Source		Internal/External	Vector Table Address	Basic Configuration Type ^{Note 2}
		Name	Trigger			
Non-maskable	—	INTWDT	Watchdog timer overflow (when watchdog timer mode 1 is selected)	Internal	0004H	(A)
Maskable	0	INTWDT	Watchdog timer overflow (when interval timer mode is selected)			External
	1	INTP0	Pin input edge detection	0008H	(C)	
	2	INTP1				
	3	INTTM90	Remote control timer input rising edge detection	Internal	000AH	(B)
	4	INTTM91	Remote control timer input falling edge detection		000CH	
	5	INTTM92	Remote control timer overflow		000EH	
	6	INTKS	Key scan timing from VFD controller/driver		0010H	
	7	INTCSI1	Serial interface SIO1 transfer end		0012H	
	8	INTCSI3	Serial interface SIO3 transfer end		0014H	
	9	INTTM80	TM80 and CR80 match		0016H	
	10	INTTM81	TM81 and CR81 match		0018H	
	11	INTAD	A/D conversion end		001AH	
Software	—	BRK	BRK instruction execution		—	

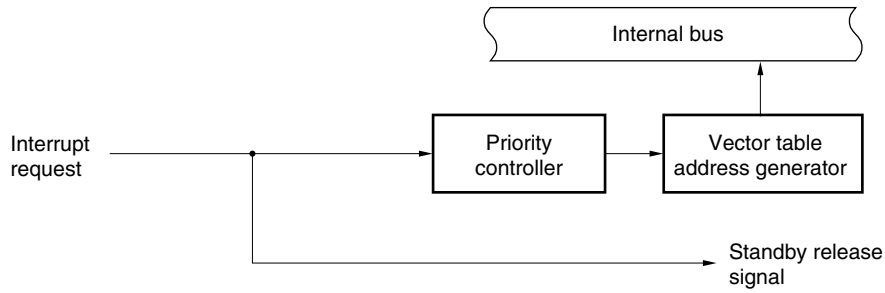
Notes 1. Default Priority is the priority order when more than one maskable interrupt request is generated simultaneously. 0 is the highest priority and 11 is the lowest.

2. Basic configuration types (A) to (D) correspond to (A) to (D) in Figure 6-1.

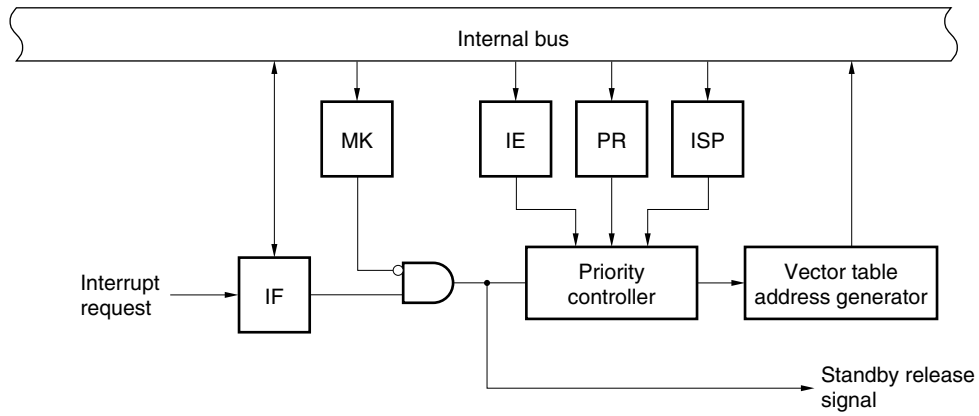
★ **Remark** Two watchdog timer interrupt sources (INTWDT) are available: a non-maskable interrupt and a maskable interrupt (internal), either of which can be selected.

Figure 6-1. Basic Interrupt Function Configuration (1/2)

(A) Internal non-maskable interrupt



(B) Internal maskable interrupt



(C) External maskable interrupt (INTP0, INTP1)

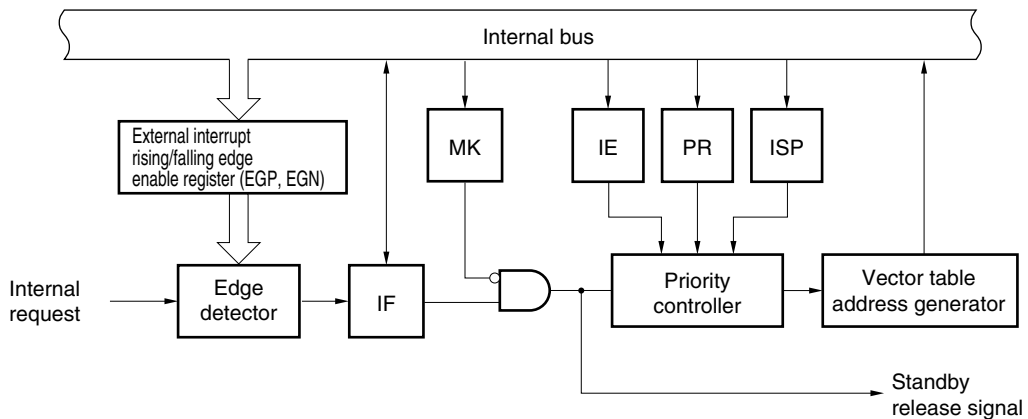
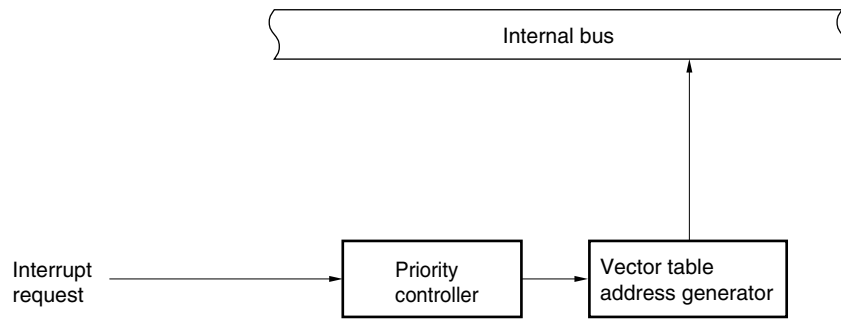


Figure 6-1. Basic Interrupt Function Configuration (2/2)

(D) Software interrupt

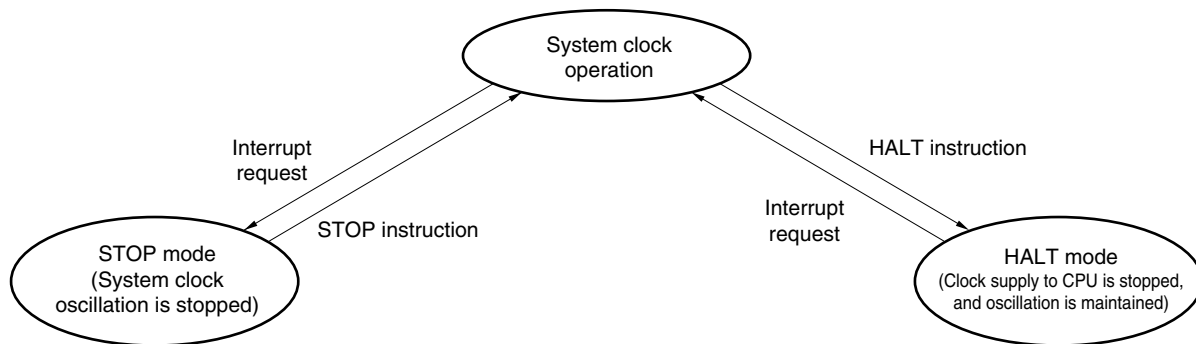


7. STANDBY FUNCTION

The standby function is a function to reduce the current consumption. The following two types of standby functions are available.

- HALT mode: Halts the CPU operating clock and enables a reduction in the average current consumption by intermittent operation with normal operation.
- STOP mode: Halts the system clock oscillation. Halts all operations with the system clock and sets an ultra-low power consumption state.

Figure 7-1. Standby Function



8. RESET FUNCTION

The following two types of resetting methods are available.

- External reset by the $\overline{\text{RESET}}$ input
- Internal reset by watchdog timer loop detection

★ 9. MASK OPTION

The mask options for the μPD780232 are shown in Table 9-1.

Table 9-1. Pin Mask Option Selection

Pin Name	Mask Option
FIP 0 to FIP23, P30/FIP24 to P37/FIP31, P40/FIP32 to P47/FIP39	An on-chip pull-down resistor can be specified for V_{LOAD} in 1-bit units.
P50/FIP40 to P57/FIP47, P60/FIP48 to P64/FIP52	An on-chip pull-down resistor can be specified for V_{LOAD} or V_{SS0} in 1-bit units.

10. INSTRUCTION SET

(1) 8-bit instructions

MOV, XCH, ADD, ADDC, SUB, SUBC, AND, OR, XOR, CMP, MULU, DIVUW, INC, DEC, ROR, ROL, RORC, ROLC, ROR4, ROL4, PUSH, POP, DBNZ

2nd Operand 1st Operand	#byte	A	r>Note	sfr	saddr	!addr16	PSW	[DE]	[HL]	[HL+byte] [HL+B] [HL+C]	\$addr16	1	None
A	ADD ADDC SUB SUBC AND OR XOR CMP		MOV XCH ADD ADDC SUB SUBC AND OR XOR CMP	MOV XCH	MOV XCH ADD ADDC SUB SUBC AND OR XOR CMP	MOV XCH ADD ADDC SUB SUBC AND OR XOR CMP	MOV	MOV XCH	MOV XCH ADD ADDC SUB SUBC AND OR XOR CMP	MOV XCH ADD ADDC SUB SUBC AND OR XOR CMP		ROR ROL RORC ROLC	
r	MOV	MOV ADD ADDC SUB SUBC AND OR XOR CMP											INC DEC
B, C											DBNZ		
sfr	MOV	MOV											
saddr	MOV ADD ADDC SUB SUBC AND OR XOR CMP	MOV									DBNZ		INC DEC
!addr16		MOV											
PSW	MOV	MOV											PUSH POP
[DE]		MOV											
[HL]		MOV											ROR4 ROL4
[HL+byte] [HL+B] [HL+C]		MOV											
X													MULU
C													DIVUW

Note Except r = A

(2) 16-bit instructions

MOVW, XCHW, ADDW, SUBW, CMPW, PUSH, POP, INCW, DECW

2nd Operand 1st Operand	#word	AX	rp ^{Note}	sfrp	saddrp	!addr16	SP	None
AX	ADDW SUBW CMPW		MOVW XCHW	MOVW	MOVW	MOVW	MOVW	
rp	MOVW	MOVW ^{Note}						INCW DECW PUSH POP
sfrp	MOVW	MOVW						
saddrp	MOVW	MOVW						
!addr16		MOVW						
SP	MOVW	MOVW						

Note Only when rp = BC, DE, HL

(3) Bit manipulation instructions

MOV1, AND1, OR1, XOR1, SET1, CLR1, NOT1, BT, BF, BTCLR

2nd Operand 1st Operand	A.bit	sfr.bit	saddr.bit	PSW.bit	[HL].bit	CY	\$addr16	None
A.bit						MOV1	BT BF BTCLR	SET1 CLR1
sfr.bit						MOV1	BT BF BTCLR	SET1 CLR1
saddr.bit						MOV1	BT BF BTCLR	SET1 CLR1
PSW.bit						MOV1	BT BF BTCLR	SET1 CLR1
[HL].bit						MOV1	BT BF BTCLR	SET1 CLR1
CY	MOV1 AND1 OR1 XOR1	MOV1 AND1 OR1 XOR1	MOV1 AND1 OR1 XOR1	MOV1 AND1 OR1 XOR1	MOV1 AND1 OR1 XOR1			SET1 CLR1 NOT1

(4) Call instruction/branch instructions

CALL, CALLF, CALLT, BR, BC, BNC, BZ, BNZ, BT, BF, BTCLR, DBNZ

2nd Operand 1st Operand	AX	!addr16	!addr11	[addr5]	\$addr16
Basic instruction	BR	CALL BR	CALLF	CALLT	BR BC BNC BZ BNZ
Compound instruction					BT BF BTCLR DBNZ

(5) Other instructions

ADJBA, ADJBS, BRK, RET, RETI, RETB, SEL, NOP, EI, DI, HALT, STOP

★ 11. ELECTRICAL SPECIFICATIONS

Absolute Maximum Ratings (T_A = 25°C)

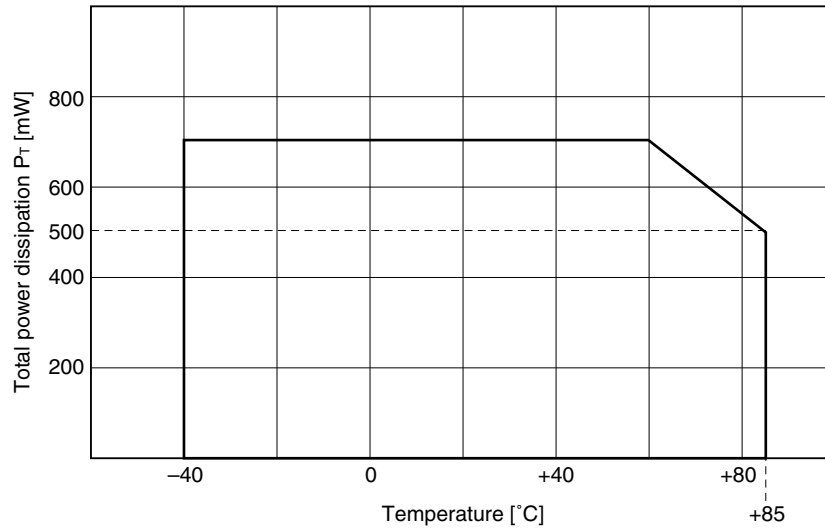
Parameter	Symbol	Conditions	Rating	Unit	
Supply voltage	V _{DD}		-0.3 to +6.5	V	
	V _{LOAD}		V _{DD} - 45 to V _{DD} + 0.3	V	
	AV _{DD}		-0.3 to V _{DD} + 0.3	V	
	AV _{SS}		-0.3 to +0.3	V	
Input voltage	V _{I1}	P00 to P02, P20 to P27, X1, X2, RESET	-0.3 to V _{DD} + 0.3	V	
	V _{I2}	P50 to P57, P60 to P64 P-ch open drain	V _{DD} - 45 to V _{DD} + 0.3	V	
Output voltage	V _{O1}		-0.3 to V _{DD} + 0.3	V	
	V _{O2}		V _{DD} - 45 to V _{DD} + 0.3	V	
Analog input voltage	V _{AN}	ANI0 to ANI3 Analog input pins	AV _{SS} to AV _{DD}	V	
Output current, high	I _{OH}	Per pin for P00 to P02 and P20 to P27	-10	mA	
		Total for P00 to P02 and P20 to P27	-30	mA	
		Per pin for FIP0 to FIP23, P30 to P37, P40 to P47, P50 to P57, and P60 to P64	-30	mA	
		Total for FIP0 to FIP23, P30 to P37, P40 to P47, P50 to P57, and P60 to P64	Peak value	-300	mA
			rms value	-120	mA
Output current, low	I _{OL} Note 1	Per pin for P00 to P02 and P20 to P27	Peak value	10	mA
			rms value	5	mA
		Total for P00 to P02 and P20 to P27	Peak value	20	mA
			rms value	10	mA
Total power dissipation	P _T Note 2	T _A = -40 to +60°C	700	mW	
		T _A = +60 to +85°C	500	mW	
Operating ambient temperature	T _A		-40 to +85	°C	
Storage temperature	T _{stg}		-40 to +150	°C	

Caution Product quality may suffer if the absolute maximum rating is exceeded even momentarily for any parameter. That is, the absolute maximum ratings are rated values at which the product is on the verge of suffering physical damage, and therefore the product must be used under conditions that ensure that the absolute maximum ratings are not exceeded.

Remark Unless specified otherwise, the characteristics of alternate-function pins are the same as those of port pins.

Notes 1. The rms value should be calculated as follows: [rms value] = [Peak value] × √Duty

Notes 2. The allowable total power dissipation differs depending on the temperature (see the following figure).



How to calculate total power dissipation

The power consumption of the μPD780232 can be divided to the following three types. The sum of the three power consumption types should be less than the total power dissipation P_T (80% or less of ratings is recommended).

- <1> CPU power consumption: Calculate V_{DD} (MAX.) × I_{DD} (MAX.).
- <2> Output pin power consumption: Power consumption when maximum current flows to VFD output pins.
- <3> Pull-down resistor power consumption: Power consumption by the pull-down resistors incorporated in the VFD output pins by a mask option.

The following shows how to calculate total power consumption for the example in Figure 11-1.

Example Assume the following conditions:

V_{DD} = 5.5 V, 5.0 MHz oscillation

Supply current (I_{DD}) = 21.0 mA

VFD output: 11 grids × 10 segments (blanking width = 1/16)

The maximum current at the grid pin is 15 mA.

The maximum current at the segment pin is 5 mA.

At the key scan timing, the VFD output pin is OFF.

VFD output voltage: Grids V_{OD} = V_{DD} - 2 V (voltage drop of 2 V)

Segments V_{OD} = V_{DD} - 0.5 V (voltage drop of 0.5 V)

Fluorescent display control voltage (V_{LOAD}) = -35 V

Mask option pull-down resistor = 35 kΩ

By placing the above conditions in calculations <1> to <3>, the total dissipation can be calculated.

<1> CPU power consumption: $5.5 \text{ V} \times 21.0 \text{ mA} = 115.5 \text{ mW}$

<2> Output pin power consumption:

$$\begin{aligned} \text{Grid} & (V_{DD} - V_{OD}) \times \frac{\text{Total current value of each grid}}{\text{Number of grids} + 1} \times (1 - \text{Blanking width}) \\ & = 2 \text{ V} \times \frac{15 \text{ mA} \times 11 \text{ grids}}{11 \text{ grids} + 1} \times \left(1 - \frac{1}{16}\right) = 25.8 \text{ mW} \end{aligned}$$

$$\begin{aligned} \text{Segment} & (V_{DD} - V_{OD}) \times \frac{\text{Total segment current value of illuminated dots}}{\text{Number of grids} + 1} \times (1 - \text{Blanking width}) \\ & = 0.5 \text{ V} \times \frac{5 \text{ mA} \times 31 \text{ dots}}{11 \text{ grids} + 1} \times \left(1 - \frac{1}{16}\right) = 6.1 \text{ mW} \end{aligned}$$

<3> Pull-down resistor power consumption:

$$\begin{aligned} \text{Grid} & \frac{(V_{OD} - V_{LOAD})^2}{\text{Pull-down resistor value}} \times \frac{\text{Number of grids}}{\text{Number of grids} + 1} \times (1 - \text{Blanking width}) \\ & = \frac{(5.5 \text{ V} - 2 \text{ V} - (-35 \text{ V}))^2}{35 \text{ k}\Omega} \times \frac{11 \text{ grids}}{11 \text{ grids} + 1} \times \left(1 - \frac{1}{16}\right) = 36.4 \text{ mW} \end{aligned}$$

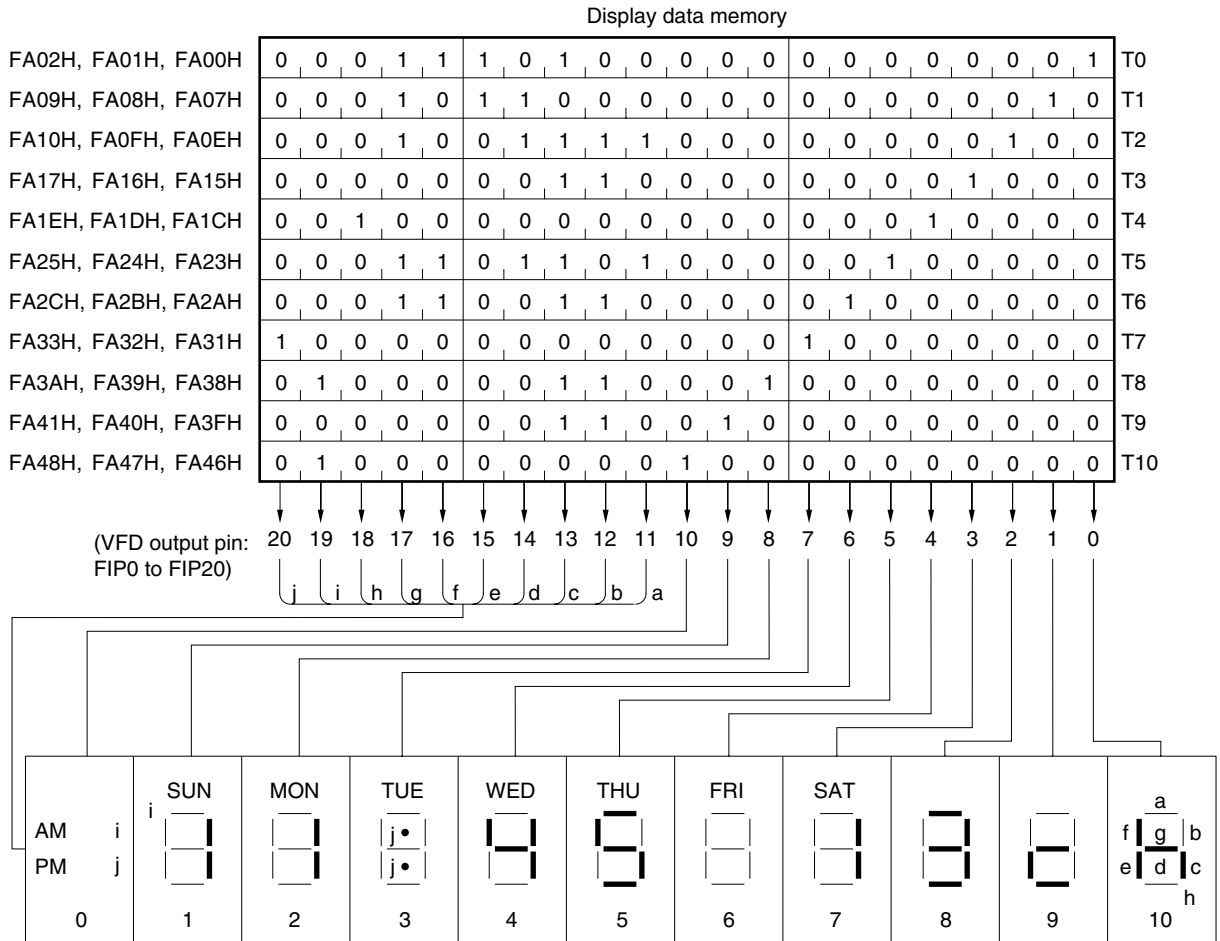
$$\begin{aligned} \text{Segment} & \frac{(V_{OD} - V_{LOAD})^2}{\text{Pull-down resistor value}} \times \frac{\text{Number of illuminated dots}}{\text{Number of grids} + 1} \times (1 - \text{Blanking width}) \\ & = \frac{(5.5 \text{ V} - 0.5 \text{ V} - (-35 \text{ V}))^2}{35 \text{ k}\Omega} \times \frac{31 \text{ dots}}{11 \text{ grids} + 1} \times \left(1 - \frac{1}{16}\right) = 110.7 \text{ mW} \end{aligned}$$

$$\text{Total power consumption} = \text{<1>} + \text{<2>} + \text{<3>} = 115.5 + 25.8 + 6.1 + 36.4 + 110.7 = 294.5 \text{ mW}$$

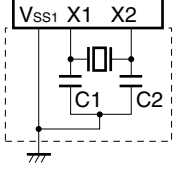
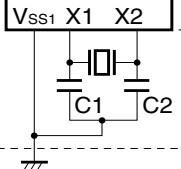
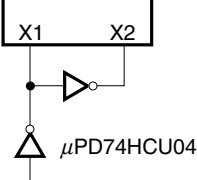
In this example, the total power consumption does not exceed the rating of the allowable total power dissipation, so there is no problem in the power consumption.

However, when the total power consumption exceeds the rating of the total power dissipation, it is necessary to lower the power consumption. To reduce the power consumption, reduce the number of pull-down resistors.

Figure 11-1. Display Example of 10 Segments-11 Digits



System Clock Oscillator Characteristics (T_A = -40 to +85°C, V_{DD} = 4.5 to 5.5 V)

Resonator	Recommended Circuit	Parameter	Conditions	MIN.	TYP.	MAX.	Unit
Ceramic resonator		Oscillation frequency (f _x) ^{Note 1}	V _{DD} = Oscillation voltage range	1		5	MHz
		Oscillation stabilization time ^{Note 2}	After V _{DD} reaches the minimum value of oscillation voltage range			4	ms
Crystal resonator		Oscillation frequency (f _x) ^{Note 1}		1		5	MHz
		Oscillation stabilization time ^{Note 2}				10	ms
External clock		X1 input frequency (f _x) ^{Note 1}		1		5	MHz
		X1 input high-/low-level width (t _{xH} /t _{xL})		85		450	ns

- Notes**
1. Indicates only oscillator characteristics. Refer to **AC Characteristics** for instruction execution time.
 2. Time required to stabilize oscillation after reset or STOP release.

Caution When using the system clock oscillator, wire as follows in the area enclosed by the broken lines in the above figures to avoid an adverse effect from wiring capacitance.

- Keep the wiring length as short as possible.
- Do not cross the wiring with the other signal lines.
- Do not route the wiring near a signal line through which a high fluctuating current flows.
- Always make the ground point of the oscillator capacitor the same potential as V_{SS1}.
- Do not ground the capacitor to a ground pattern through which a high current flows.
- Do not fetch signals from the oscillator.

Recommended Oscillator Constant

System Clock: Ceramic Resonator (T_A = -40 to +85°C)

Manufacturer	Part Number	Frequency (MHz)	Recommended Circuit Constant		Oscillation Voltage Range	
			C1 (pF)	C2 (pF)	MIN. (V)	MAX. (V)
Murata Mfg. Co., Ltd.	CSB 1000J	1.00	150	150	4.5	5.5
	CSA2.00MG040	2.00	100	100		
	CST2.00MG040		On-chip	On-chip		
	CSA3.58MG	3.58	30	30		
	CST3.58MGW		On-chip	On-chip		
	CSTS0358MG06					
	CSA4.19MG	4.19	30	30		
	CST4.19MGW		On-chip	On-chip		
	CSTS0419MG06					
	CSA5.00MG	5.00	30	30		
	CST5.00MGW		On-chip	On-chip		
	CSTS0500MG03					

Caution The oscillator constant and oscillation voltage range indicate conditions of stable oscillation. Oscillation frequency precision is not guaranteed. For applications requiring oscillation frequency precision, the oscillation must be adjusted on the implementation circuit. For details, please contact directly the manufacturer of the resonator you will use.

Capacitance (T_A = 25°C, V_{DD} = V_{SS} = 0 V)

Parameter	Symbol	Conditions	MIN.	TYP.	MAX.	Unit	
Input capacitance	C _{IN}	f = 1 MHz Unmeasured pins returned to 0 V	P00 to P02, P20 to P27			15	pF
			P50 to P57, P60 to P64			35	pF
Output capacitance	C _{OUT}	f = 1 MHz Unmeasured pins returned to 0 V	P00 to P02, P20 to P27			15	pF
			P30 to P37, P40 to P47, P50 to P57, P60 to P64, FIP0 to FIP23			35	pF
I/O capacitance	C _{IO}	f = 1 MHz Unmeasured pins returned to 0 V	P00 to P02, P20 to P27			15	pF
			P50 to P57, P60 to P64			35	pF

DC Characteristics (T_A = -40 to +85°C, V_{DD} = 4.5 to 5.5 V)

Parameter	Symbol	Conditions	MIN.	TYP.	MAX.	Unit	
Input voltage, high	V _{IH1}	P00 to P02, P20 to P27, $\overline{\text{RESET}}$	0.7V _{DD}		V _{DD}	V	
	V _{IH2}	P50 to P57, P60 to P64	0.7V _{DD}		V _{DD}	V	
	V _{IH3}	X1, X2	V _{DD} - 0.5		V _{DD}	V	
Input voltage, low	V _{IL1}	P00 to P02, P20 to P27, $\overline{\text{RESET}}$	0		0.2V _{DD}	V	
	V _{IL2}	X1, X2	0		0.4	V	
Output voltage, high	V _{OH}	I _{OH} = -1 mA	V _{DD} - 1.0		V _{DD}	V	
		I _{OH} = -100 μA	V _{DD} - 0.5		V _{DD}	V	
Output voltage, low	V _{OL}	P00 to P02, P20 to P27			0.5	V	
Input leakage current, high	I _{LIH1}	P00 to P02, P20 to P27, P50 to P57, P60 to P64, $\overline{\text{RESET}}$			3	μA	
	I _{LIH2}	X1, X2			20	μA	
Input leakage current, low	I _{LIL1}	P00 to P02, P20 to P27, $\overline{\text{RESET}}$			-3	μA	
	I _{LIL2}	X1, X2			-20	μA	
	I _{LIH3}	P50 to P57, P60 to P64	V _{IN} = V _{LOAD} = V _{DD} - 40 V		-10	μA	
Output leakage current, high	I _{LOH}	P00 to P02, P20 to P27, P30 to P37, P40 to P47, P50 to P57, P60 to P64			3	μA	
Output leakage current, low	I _{LOL1}	P00 to P02, P20 to P27			-3	μA	
	I _{LOL2}	P30 to P37, P40 to P47, P50 to P57, P60 to P64			-10	μA	
VFD output current	I _{OD}	FIP0 to FIP19			-15	mA	
		FIP20 to FIP52			-5	mA	
Software pull-up resistance	R ₁	P00 to P02, P20 to P27		10	30	100	kΩ
On-chip mask option pull-down resistance (V _{SS0} connection)	R ₂	P50 to P57, P60 to P64		15	35	90	kΩ
On-chip mask option pull-down resistance (V _{LOAD} connection)	R ₃	FIP0 to FIP52		30	60	135	kΩ
Power supply current ^{Note}	I _{DD1}	5 MHz crystal oscillation operation mode	PCC = 00H		7	14	mA
	I _{DD2}	5 MHz crystal oscillation HALT mode			1.5	4.5	mA
	I _{DD3}	STOP mode			1	30	μA

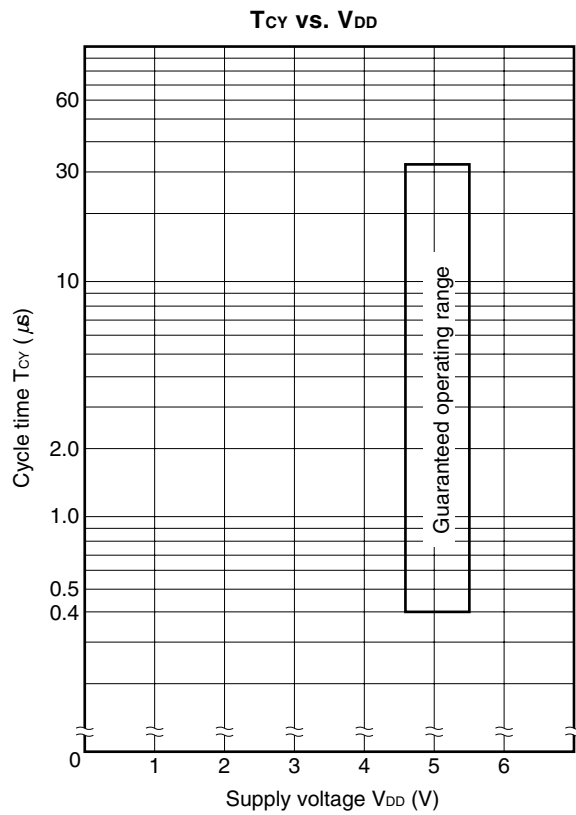
Note Refers to the current flowing to the V_{DD} pin. The current flowing to the on-chip pull-up and pull-down resistors is not included.

- Remarks 1.** Unless specified otherwise, the characteristics of alternate-function pins are the same as those of port pins.
2. PCC: Processor clock control register

AC Characteristics

(1) Basic operation (T_A = -40 to +85°C, V_{DD} = 4.5 to 5.5 V)

Parameter	Symbol	Conditions	MIN.	TYP.	MAX.	Unit
Cycle time (minimum instruction execution time)	T _{CY}	Operated with main system clock	0.4		32	μs
Interrupt request input high-/low-level width	t _{INTH} t _{INTL}	INTP0, INTP1	10			μs
RESET low-level width	t _{RSL}		10			μs



(2) Timer/counter (T_A = -40 to +85°C, V_{DD} = 4.5 to 5.5 V)

Parameter	Symbol	Conditions	MIN.	TYP.	MAX.	Unit
T1 input high-/ low-level width	t _{TIH} t _{TIL}		2/F _{count} + 0.2 ^{Note}			μs

Note F_{COUNT} is the frequency of the count clock selected by TM9 (the frequency can be selected from f_x/2⁶, f_x/2⁷, f_x/2⁸, and f_x/2⁹).

(3) Serial interface (T_A = -40 to +85°C, V_{DD} = 4.5 to 5.5 V)

(a) Serial interface (3-wire serial mode)

(i) 3-wire serial mode ($\overline{\text{SCK1}}$: Internal clock output)

Parameter	Symbol	Conditions	MIN.	TYP.	MAX.	Unit
$\overline{\text{SCK1}}$ cycle time	t _{KCY1}		800			ns
$\overline{\text{SCK1}}$ high-/low-level width	t _{KH1} t _{KL1}		t _{KCY1} /2 - 50			ns
S11 setup time (to $\overline{\text{SCK1}}\uparrow$)	t _{SIK1}		100			ns
S11 hold time (from $\overline{\text{SCK1}}\uparrow$)	t _{KSI1}		400			ns
Delay time from $\overline{\text{SCK1}}\downarrow$ to SO1 output	t _{KSO1}	C = 100 pF ^{Note}			300	ns

Note C is the load capacitance of the $\overline{\text{SCK1}}$ and SO1 output lines.

(ii) 3-wire serial mode ($\overline{\text{SCK1}}$: External clock input)

Parameter	Symbol	Conditions	MIN.	TYP.	MAX.	Unit
$\overline{\text{SCK1}}$ cycle time	t _{KCY2}		800			ns
$\overline{\text{SCK1}}$ high-/low-level width	t _{KH2} t _{KL2}		400			ns
S11 setup time (to $\overline{\text{SCK1}}\uparrow$)	t _{SIK2}		100			ns
S11 hold time (from $\overline{\text{SCK1}}\uparrow$)	t _{KSI2}		400			ns
Delay time from $\overline{\text{SCK1}}\downarrow$ to SO1 output	t _{KSO2}	C = 100 pF ^{Note}			300	ns
$\overline{\text{SCK1}}$ rise/fall time	t _{R2} t _{F2}				1	μs

Note C is the load capacitance of the SO1 output line.

(b) Serial interface (2-wire serial mode)

(i) 2-wire serial mode ($\overline{SCK3}$...Internal clock output)

Parameter	Symbol	Conditions	MIN.	TYP.	MAX.	Unit
$\overline{SCK3}$ cycle time	t_{KCY3}		800			ns
$\overline{SCK3}$ high-/low-level width	t_{KH3} t_{KL3}		$t_{KCY3}/2 - 50$			ns
Delay time from $\overline{SCK3}\downarrow$ to SO3 output	t_{KSO3}	C = 100 pF ^{Note}			300	ns

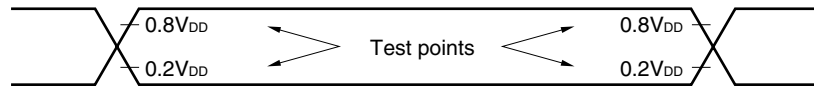
Note C is the load capacitance of the $\overline{SCK3}$ and SO3 output lines.

(ii) 2-wire serial mode ($\overline{SCK3}$...External clock input)

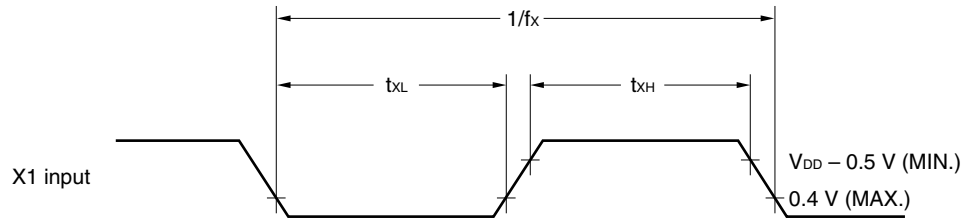
Parameter	Symbol	Conditions	MIN.	TYP.	MAX.	Unit
$\overline{SCK3}$ cycle time	t_{KCY4}		800			ns
$\overline{SCK3}$ high-/low-level width	t_{KH4} t_{KL4}		400			ns
Delay time from $\overline{SCK3}\downarrow$ to SO3 output	t_{KSO4}	C = 100 pF ^{Note}			300	ns
$\overline{SCK3}$ rise/fall time	t_{R4} t_{F4}				1	μs

Note C is the load capacitance of the SO3 output line.

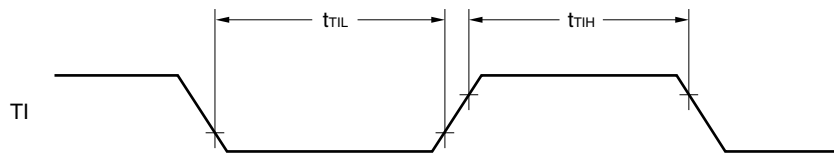
AC Timing Test Points (Excluding X1 Input)



Clock Timing

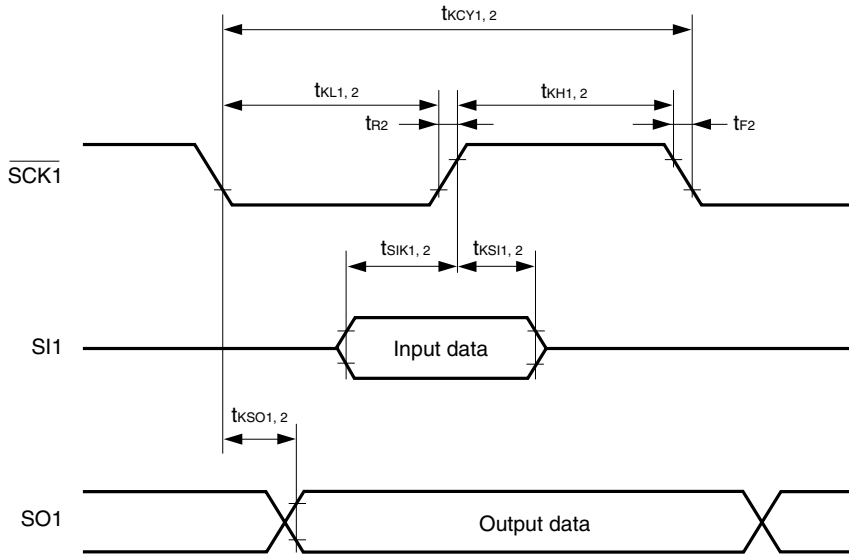


TI Timing

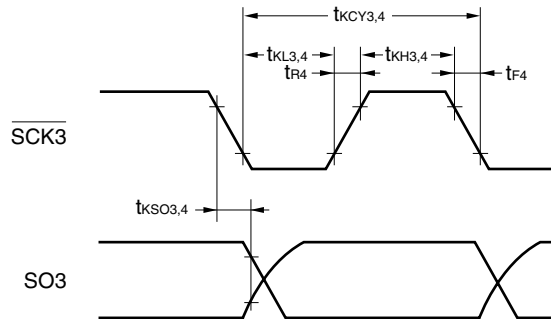


Serial Transfer Timing

3-wire serial mode:



2-wire serial mode:



A/D Converter Characteristics ($T_A = -40$ to $+85^\circ\text{C}$, $AV_{DD} = V_{DD} = 4.0$ to 5.5 V, $AV_{SS} = V_{SS} = 0$ V)

Parameter	Symbol	Conditions	MIN.	TYP.	MAX.	Unit
Resolution					8	bit
Overall error ^{Note 1}					±1.0	%
Conversion time ^{Note 2}	t_{CONV}		14			μs
Analog input voltage	V_{IAN}		AV_{SS}		AV_{DD}	V

Notes 1. Quantization error ($\pm 1/2\text{LSB}$) is not included. This parameter is indicated as the ratio to the full-scale value.

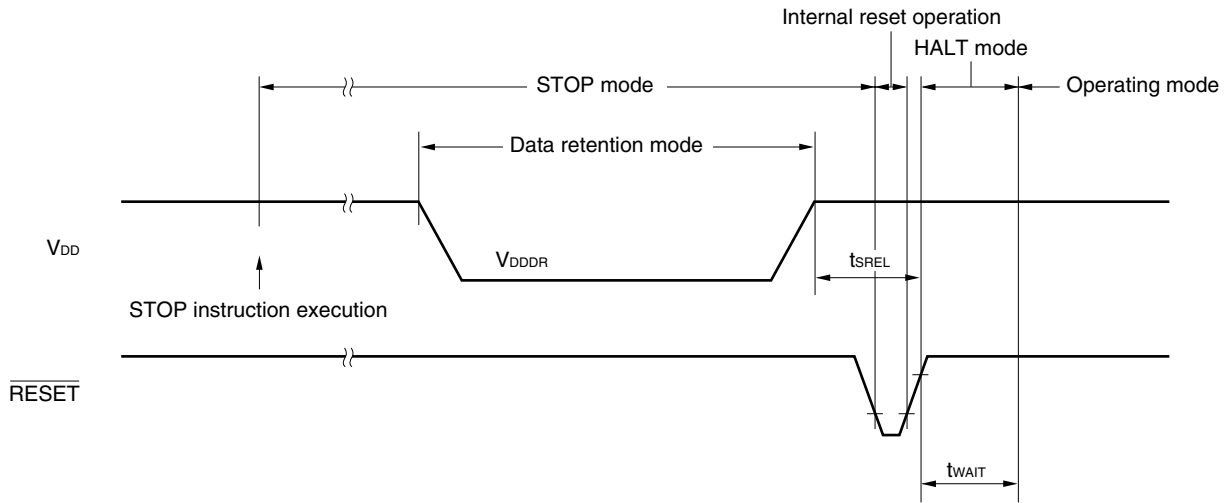
2. Set the A/D conversion time to 14 μs or more.

Data Memory STOP Mode Low Supply Voltage Data Retention Characteristics (T_A = -40 to +85°C)

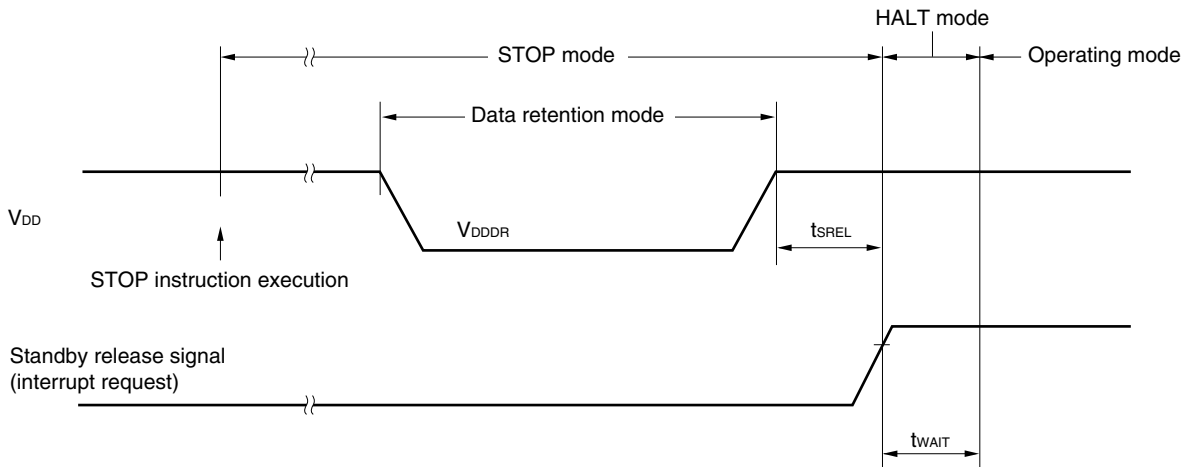
Parameter	Symbol	Conditions	MIN.	TYP.	MAX.	Unit
Data retention supply voltage	V _{DDDR}		2.0		5.5	V
Data retention supply current	I _{DDDR}			0.1	30	μA
Release signal set time	t _{SREL}		0			μs
Oscillation stabilization wait time	t _{WAIT}	Release by $\overline{\text{RESET}}$		2 ¹⁷ /f _x		ms
		Release by interrupt request		Note		ms

Note 2¹²/f_x, 2¹⁴/f_x to 2¹⁷/f_x can be selected by bits 0 to 2 (OSTS0 to OSTS2) of the oscillation stabilization time select register (OSTS).

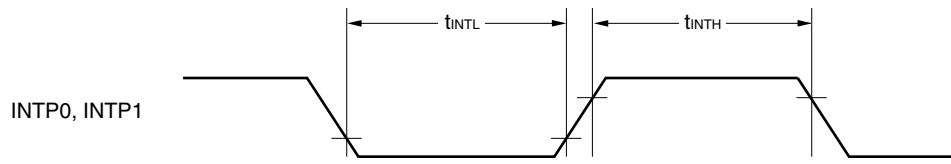
Data Retention Timing (STOP Mode Release by $\overline{\text{RESET}}$)



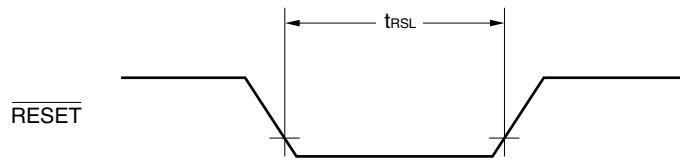
Data Retention Timing (Standby Release Signal: STOP Mode Release by Interrupt Request Signal)



Interrupt Request Input Timing

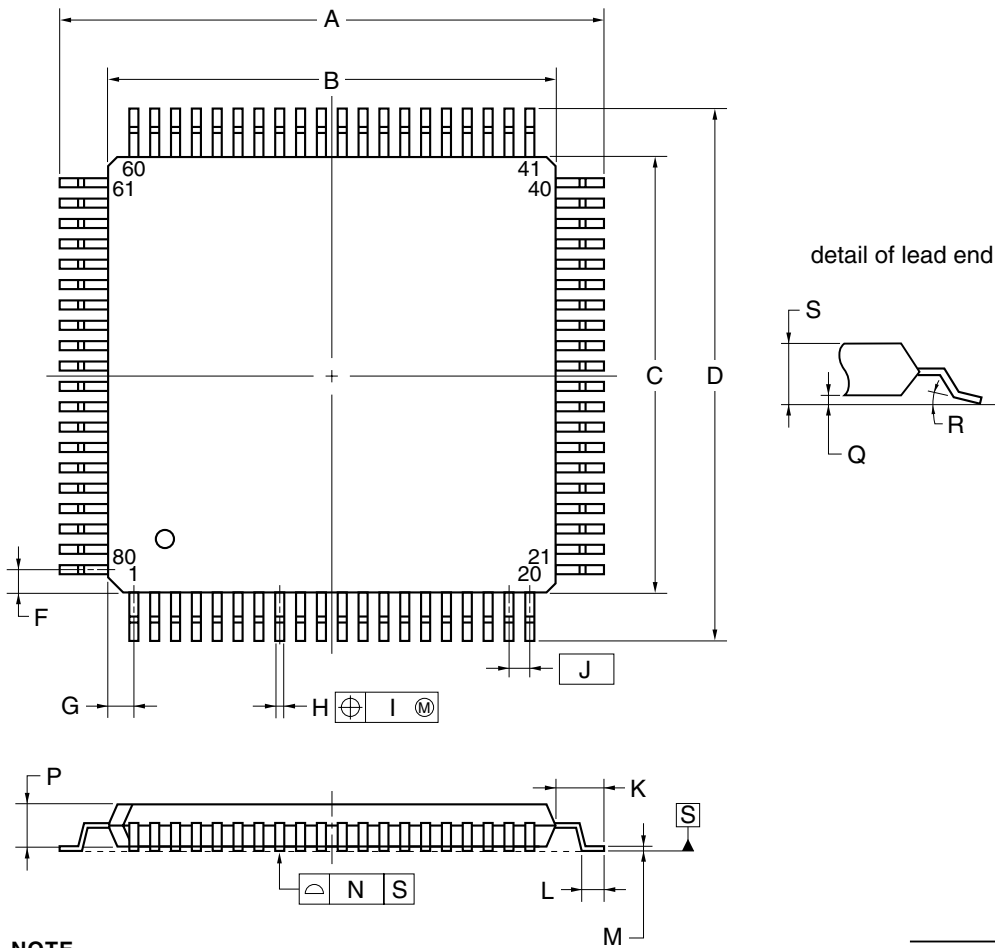


RESET Input Timing



12. PACKAGE DRAWING

80-PIN PLASTIC QFP (14x14)



NOTE

Each lead centerline is located within 0.13 mm of its true position (T.P.) at maximum material condition.

ITEM	MILLIMETERS
A	17.20±0.20
B	14.00±0.20
C	14.00±0.20
D	17.20±0.20
F	0.825
G	0.825
H	0.32±0.06
I	0.13
J	0.65 (T.P.)
K	1.60±0.20
L	0.80±0.20
M	0.17 ^{+0.03} _{-0.07}
N	0.10
P	1.40±0.10
Q	0.125±0.075
R	3° ^{+7°} _{-3°}
S	1.70 MAX.

P80GC-65-8BT-1

★ 13. RECOMMENDED SOLDERING CONDITIONS

The μPD780232 should be soldered and mounted under the following recommended conditions.

For details of the recommended soldering conditions, refer to the document **Semiconductor Device Mounting Technology Manual (C10535E)**.

For soldering methods and conditions other than those recommended below, contact an NEC sales representative.

Table 13-1. Surface Mounting Type Soldering Conditions

μPD780232GC-xxx-8BT: 80-pin plastic QFP (14 × 14)

Soldering	Soldering Conditions	Recommended Method Condition Symbol
Infrared reflow	Package peak temperature: 235°C, Time: 30 seconds max. (at 210°C or higher), Count: Two times or less	IR35-00-2
VPS	Package peak temperature: 215°C, Time: 40 seconds max. (at 200°C or higher), Count: Two times or less	VP15-00-2
Wave soldering	Solder bath temperature: 260°C max., Time: 10 seconds max., Count: once, Preheating temperature: 120°C max. (package surface temperature)	WS60-00-1
Partial heating	Pin temperature: 300°C max., Time: 3 seconds max. (per pin row)	—

Caution Do not use different soldering methods together (except for partial heating).

APPENDIX A. DEVELOPMENT TOOLS

The following development tools are available for system development using the μPD780232.
 Also refer to (6) **Notes on using development tools.**

(1) Software Package

SP78K0	Software package common to 78K/0 Series
--------	---

(2) Language Processing Software

RA78K0	Assembler package common to 78K/0 Series
CC78K0	C compiler package common to 78K/0 Series
DF780233	Device file for μPD780232 Subseries
CC78K0-L	C compiler library source file common to 78K/0 Series

(3) Flash Memory Writing Tools

★ Flashpro III (FL-PR3, PG-FP3)	Dedicated flash programmer for on-chip flash memory microcontrollers
FA-80GC	Adapter for flash memory writing. Used by connecting to Flashpro III. • For 80-pin plastic QFP (GC-8BT type)

(4) Debugging Tools

- **When in-circuit emulator IE-78K0-NS(-A) is used**

IE-78K0-NS(-A)	In-circuit emulator common to 78K/0 Series
IE-70000-MC-PS-B	Power supply unit for IE-78K0-NS
★ IE-78K0-NS-PA	Performance board to enhance/extend the functions of the IE-78K0-NS
IE-70000-98-IF-C	Adapter required when PC-9800 series (except notebook type) is used as host machine (C bus supported)
★ IE-70000-CD-IF-A	PC card and interface cable required when notebook-type PC is used as host machine (PCMCIA socket supported)
IE-70000-PC-IF-C	Adapter required when IBM PC/AT™ compatible is used as host machine (ISA bus supported)
★ IE-70000-PCI-IF-A	Adapter required when PC incorporating PCI bus is used as host machine
★ IE-780233-NS-EM4, IE-78K0-NS-P01	Emulation board and I/O board to emulate the μPD780232 Subseries
★ NP-80GC ★ NP-80GC-TQ ★ NP-H80GC-TQ	Emulation probe for 80-pin plastic QFP (GC-8BT type)
EV-9200GC-80	Conversion socket to connect the NP-80GC and the target system board on which 80-pin plastic QFP (GC-8BT type) can be mounted
★ TGC-080SBP	Conversion adapter to connect the NP-80GC-TQ or NP-H80GC-TQ and the target system board on which 80-pin plastic QFP (GC-8BT type) can be mounted
ID78K0-NS	Integrated debugger for IE-78K0-NS
SM78K0	System simulator common to 78K/0 Series
DF780233	Device file for μPD780232 Subseries

• When in-circuit emulator IE-78001-R-A is used

	IE-78001-R-A	In-circuit emulator common to 78K/0 Series
★	IE-70000-98-IF-C	Adapter required when PC-9800 series (except notebook type) is used as host machine (C bus supported)
★	IE-70000-PC-IF-C	Adapter required when IBM PC/AT compatible is used as host machine (ISA bus supported)
★	IE-70000-PCI-IF-A	Adapter required when PC incorporating PCI bus is used as host machine
	IE-70000-R-SV3	Interface adapter and cable required when EWS is used as host machine
★	IE-780233-NS-EM4, IE-78K0-NS-P01	Emulation board and I/O board to emulate the μPD780232 Subseries
	IE-78K0-R-EX1	Emulation probe conversion board required when using IE-780232-NS-EM1 on IE-78001-R-A
	EP-78230GC-R	Emulation probe for 80-pin plastic QFP (GC-8BT type)
	EV-9200GC-80	Conversion socket to connect the EP-78230GC-R and the target system board on which 80-pin plastic QFP (GC-8BT type) can be mounted
	ID78K0	Integrated debugger for IE-78001-R-A
	SM78K0	System simulator common to 78K/0 Series
	DF780233	Device file for μPD780232 Subseries

(5) Real-Time OSs

	RX78K0	Real-time OS for 78K/0 Series
	MX78K0	OS for 78K/0 Series

★ (6) Notes on using development tools

- The ID78K0-NS, ID78K0, and SM78K0 are used in combination with the DF780233.
- The CC78K0 and RX78K0 are used in combination with the RA78K0 and DF780233.
- The FL-PR3, FA-80GC, NP-80GC, NP-80GC-TQ, and NP-H80GC-TQ are products of Naito Densai Machida Mfg. Co., Ltd (+81-45-475-4191).
- The TGK-080SBP is a product made by TOKYO ELETECH CORPORATION.
For further information, contact: Daimaru Kogyo, Ltd.
Tokyo Electronics Department (TEL +81-3-3820-7112)
Osaka Electronics Department (TEL +81-6-6244-6672)
- For third-party development tools, see the **Single-Chip Microcontroller Development Tool Selection Guide (U11069E)**.
- The host machines and OS suitable for each software are as follows:

Host Machine [OS] Software	PC	EWS
	PC-9800 series [Japanese Windows™] IBM PC/AT compatibles [Japanese/English Windows]	HP9000 series 700™ [HP-UX™] SPARCstation™ [SunOS™, Solaris™]
RA78K0	√ Note	√
CC78K0	√ Note	√
ID78K0-NS	√	—
ID78K0	√	—
SM78K0	√	—
RX78K0	√ Note	√
MX78K0	√ Note	√

Note DOS-based software

APPENDIX B. RELATED DOCUMENTS

The related documents indicated in this publication may include preliminary versions. However, preliminary versions are not marked as such.

Documents Related to Devices

Document Name	Document No.
μPD780232 Subseries User's Manual	U13364E
μPD780232 Data Sheet	This manual
μPD78F0233 Data Sheet	U13322E
78K/0 Series Instructions User's Manual	U12326E
★ 78K/0, 78K/0S Series Flash Memory Write Application Note	U14458E

★ **Documents Related to Development Tools (User's Manuals)**

Document Name	Document No.	
RA78K0 Assembler Package	Operation	U14445E
	Language	U14446E
	Structured Assembly Language	U11789E
CC78K0 C Compiler	Operation	U14297E
	Language	U14298E
PG-FP3 Flash Memory Programmer	U13502E	
IE-78K0-NS In-Circuit Emulator	U13731E	
IE-78K0-NS-A In-Circuit Emulator	U14889E	
IE-78001-R-A In-Circuit Emulator	U14142E	
IE-78K0-R-EX1 In-Circuit Emulator	To be prepared	
IE-780233-NS-EM4 Emulation Board	U14666E	
EP-78230 Emulation Probe	EEU-1515	
SM78K0S, SM78K0 System Simulator Ver. 2.10 or Later Windows Based	Operation	U14611E
SM78K Series System Simulator Ver. 2.10 or Later	External Parts User Open Interface Specifications	U15006E
ID78K0-NS Integrated Debugger Ver. 2.00 or Later Windows Based	Operation	U14379E
ID78K0-NS, ID78K0S-NS Integrated Debugger Ver. 2.20 or Later Windows Based	Operation	U14910E
ID78K0 Integrated Debugger Windows Based	Guide	U11649E
	Reference	U11539E

Documents Related to Embedded Software (User's Manuals)

Document Name		Document No.
78K/0 Series Real-time OS	Fundamentals	U11537E
	Installation	U11536E
78K/0 Series OS MX78K0	Fundamentals	U12257E

Other Documents

Document Name	Document No.
SEMICONDUCTOR SELECTION GUIDE - Products & Package - (CD-ROM)	X13769E
Semiconductor Device Mounting Technology Manual	C10535E
Quality Grades on NEC Semiconductor Devices	C11531E
NEC Semiconductor Device Reliability/Quality Control System	C10983E
Guide to Prevent Damage for Semiconductor Devices by Electrostatic Discharge (ESD)	C11892E

Caution The related documents listed above are subject to change without notice. Be sure to use the latest version of each document for designing.

[MEMO]

NOTES FOR CMOS DEVICES**① PRECAUTION AGAINST ESD FOR SEMICONDUCTORS**

Note:

Strong electric field, when exposed to a MOS device, can cause destruction of the gate oxide and ultimately degrade the device operation. Steps must be taken to stop generation of static electricity as much as possible, and quickly dissipate it once, when it has occurred. Environmental control must be adequate. When it is dry, humidifier should be used. It is recommended to avoid using insulators that easily build static electricity. Semiconductor devices must be stored and transported in an anti-static container, static shielding bag or conductive material. All test and measurement tools including work bench and floor should be grounded. The operator should be grounded using wrist strap. Semiconductor devices must not be touched with bare hands. Similar precautions need to be taken for PW boards with semiconductor devices on it.

② HANDLING OF UNUSED INPUT PINS FOR CMOS

Note:

No connection for CMOS device inputs can be cause of malfunction. If no connection is provided to the input pins, it is possible that an internal input level may be generated due to noise, etc., hence causing malfunction. CMOS devices behave differently than Bipolar or NMOS devices. Input levels of CMOS devices must be fixed high or low by using a pull-up or pull-down circuitry. Each unused pin should be connected to V_{DD} or GND with a resistor, if it is considered to have a possibility of being an output pin. All handling related to the unused pins must be judged device by device and related specifications governing the devices.

③ STATUS BEFORE INITIALIZATION OF MOS DEVICES

Note:

Power-on does not necessarily define initial status of MOS device. Production process of MOS does not define the initial operation status of the device. Immediately after the power source is turned ON, the devices with reset function have not yet been initialized. Hence, power-on does not guarantee out-pin levels, I/O settings or contents of registers. Device is not initialized until the reset signal is received. Reset operation must be executed immediately after power-on for devices having reset function.

FIP and IEBus are trademarks of NEC Corporation.

Windows is either a registered trademark or trademark of Microsoft Corporation in the United States and/or other countries.

PC/AT is a trademark of International Business Machines Corporation.

HP9000 series 700 and HP-UX are trademarks of Hewlett-Packard Company.

SPARCstation is a trademark of SPARC International, Inc.

Solaris and SunOS are trademarks of Sun Microsystems, Inc.

Regional Information

Some information contained in this document may vary from country to country. Before using any NEC product in your application, please contact the NEC office in your country to obtain a list of authorized representatives and distributors. They will verify:

- Device availability
- Ordering information
- Product release schedule
- Availability of related technical literature
- Development environment specifications (for example, specifications for third-party tools and components, host computers, power plugs, AC supply voltages, and so forth)
- Network requirements

In addition, trademarks, registered trademarks, export restrictions, and other legal issues may also vary from country to country.

NEC Electronics Inc. (U.S.)

Santa Clara, California
Tel: 408-588-6000
800-366-9782
Fax: 408-588-6130
800-729-9288

NEC Electronics (Germany) GmbH

Duesseldorf, Germany
Tel: 0211-65 03 02
Fax: 0211-65 03 490

NEC Electronics (UK) Ltd.

Milton Keynes, UK
Tel: 01908-691-133
Fax: 01908-670-290

NEC Electronics Italiana s.r.l.

Milano, Italy
Tel: 02-66 75 41
Fax: 02-66 75 42 99

NEC Electronics (Germany) GmbH

Benelux Office
Eindhoven, The Netherlands
Tel: 040-2445845
Fax: 040-2444580

NEC Electronics (France) S.A.

Velizy-Villacoublay, France
Tel: 01-3067-5800
Fax: 01-3067-5899

NEC Electronics (France) S.A.

Madrid Office
Madrid, Spain
Tel: 091-504-2787
Fax: 091-504-2860

NEC Electronics (Germany) GmbH

Scandinavia Office
Taebby, Sweden
Tel: 08-63 80 820
Fax: 08-63 80 388

NEC Electronics Hong Kong Ltd.

Hong Kong
Tel: 2886-9318
Fax: 2886-9022/9044

NEC Electronics Hong Kong Ltd.

Seoul Branch
Seoul, Korea
Tel: 02-528-0303
Fax: 02-528-4411

NEC Electronics Singapore Pte. Ltd.

Novena Square, Singapore
Tel: 253-8311
Fax: 250-3583

NEC Electronics Taiwan Ltd.

Taipei, Taiwan
Tel: 02-2719-2377
Fax: 02-2719-5951

NEC do Brasil S.A.

Electron Devices Division
Guarulhos-SP, Brasil
Tel: 11-6462-6810
Fax: 11-6462-6829

J01.2

The export of this product from Japan is regulated by the Japanese government. To export this product may be prohibited without governmental license, the need for which must be judged by the customer. The export or re-export of this product from a country other than Japan may also be prohibited without a license from that country. Please call an NEC sales representative.

• **The information in this document is current as of February, 2001. The information is subject to change without notice. For actual design-in, refer to the latest publications of NEC's data sheets or data books, etc., for the most up-to-date specifications of NEC semiconductor products. Not all products and/or types are available in every country. Please check with an NEC sales representative for availability and additional information.**

- No part of this document may be copied or reproduced in any form or by any means without prior written consent of NEC. NEC assumes no responsibility for any errors that may appear in this document.
- NEC does not assume any liability for infringement of patents, copyrights or other intellectual property rights of third parties by or arising from the use of NEC semiconductor products listed in this document or any other liability arising from the use of such products. No license, express, implied or otherwise, is granted under any patents, copyrights or other intellectual property rights of NEC or others.
- Descriptions of circuits, software and other related information in this document are provided for illustrative purposes in semiconductor product operation and application examples. The incorporation of these circuits, software and information in the design of customer's equipment shall be done under the full responsibility of customer. NEC assumes no responsibility for any losses incurred by customers or third parties arising from the use of these circuits, software and information.
- While NEC endeavours to enhance the quality, reliability and safety of NEC semiconductor products, customers agree and acknowledge that the possibility of defects thereof cannot be eliminated entirely. To minimize risks of damage to property or injury (including death) to persons arising from defects in NEC semiconductor products, customers must incorporate sufficient safety measures in their design, such as redundancy, fire-containment, and anti-failure features.
- NEC semiconductor products are classified into the following three quality grades:
"Standard", "Special" and "Specific". The "Specific" quality grade applies only to semiconductor products developed based on a customer-designated "quality assurance program" for a specific application. The recommended applications of a semiconductor product depend on its quality grade, as indicated below. Customers must check the quality grade of each semiconductor product before using it in a particular application.

"Standard": Computers, office equipment, communications equipment, test and measurement equipment, audio and visual equipment, home electronic appliances, machine tools, personal electronic equipment and industrial robots

"Special": Transportation equipment (automobiles, trains, ships, etc.), traffic control systems, anti-disaster systems, anti-crime systems, safety equipment and medical equipment (not specifically designed for life support)

"Specific": Aircraft, aerospace equipment, submersible repeaters, nuclear reactor control systems, life support systems and medical equipment for life support, etc.

The quality grade of NEC semiconductor products is "Standard" unless otherwise expressly specified in NEC's data sheets or data books, etc. If customers wish to use NEC semiconductor products in applications not intended by NEC, they must contact an NEC sales representative in advance to determine NEC's willingness to support a given application.

(Note)

(1) "NEC" as used in this statement means NEC Corporation and also includes its majority-owned subsidiaries.

(2) "NEC semiconductor products" means any semiconductor product developed or manufactured by or for NEC (as defined above).