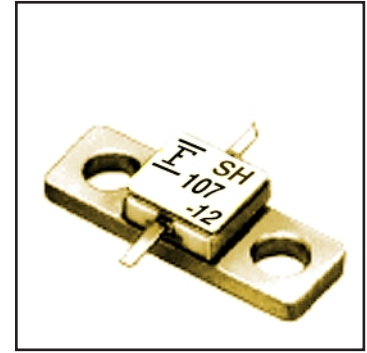


FLX107MH-12

X, Ku Band Power GaAs FET

FEATURES

- High Output Power: $P_{1dB} = 30.0\text{dBm(Typ.)}$
- High Gain: $G_{1dB} = 7.5\text{dB(Typ.)}$
- High PAE: $\eta_{add} = 33\%\text{(Typ.)}$
- Proven Reliability
- Hermetic Metal/Ceramic Package



DESCRIPTION

The FLX107MH-12 is a power GaAs FET that is designed for general purpose applications in the X-Band frequency range as it provides superior power, gain, and efficiency.

Fujitsu's stringent Quality Assurance Program assures the highest reliability and consistent performance.

ABSOLUTE MAXIMUM RATING (Ambient Temperature $T_a=25^\circ\text{C}$)

Item	Symbol	Condition	Rating	Unit
Drain-Source Voltage	V_{DS}		15	V
Gate-Source Voltage	V_{GS}		-5	V
Total Power Dissipation	P_T	$T_C = 25^\circ\text{C}$	7.5	W
Storage Temperature	T_{stg}		-65 to +175	$^\circ\text{C}$
Channel Temperature	T_{ch}		175	$^\circ\text{C}$

Fujitsu recommends the following conditions for the reliable operation of GaAs FETs:

1. The drain-source operating voltage (V_{DS}) should not exceed 10 volts.
2. The forward and reverse gate currents should not exceed 8.8 and -0.5 mA respectively with gate resistance of 500Ω .
3. The operating channel temperature (T_{ch}) should not exceed 145°C .

ELECTRICAL CHARACTERISTICS (Ambient Temperature $T_a=25^\circ\text{C}$)

Item	Symbol	Test Conditions	Limit			Unit
			Min.	Typ.	Max.	
Saturated Drain Current	I_{DSS}	$V_{DS} = 5\text{V}, V_{GS} = 0\text{V}$	-	400	600	mA
Transconductance	g_m	$V_{DS} = 5\text{V}, I_{DS} = 250\text{mA}$	-	200	-	mS
Pinch-off Voltage	V_p	$V_{DS} = 5\text{V}, I_{DS} = 20\text{mA}$	-1.0	-2.0	-3.5	V
Gate Source Breakdown Voltage	V_{GSO}	$I_{GS} = -20\mu\text{A}$	-5	-	-	V
Output Power at 1dB G.C.P.	P_{1dB}	$V_{DS} = 10\text{V},$ $I_{DS} = 0.6 I_{DSS} \text{(Typ.)},$ $f = 12.5 \text{GHz}$	29.0	30.0	-	dBm
Power Gain at 1dB G.C.P.	G_{1dB}		6.5	7.5	-	dB
Power-added Efficiency	η_{add}		-	33	-	%
Thermal Resistance	R_{th}	Channel to Case	-	15	20	$^\circ\text{C/W}$

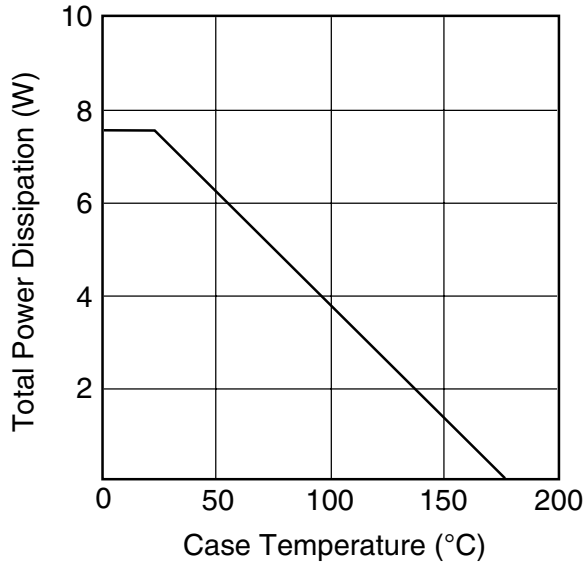
CASE STYLE: MH

G.C.P.: Gain Compression Point

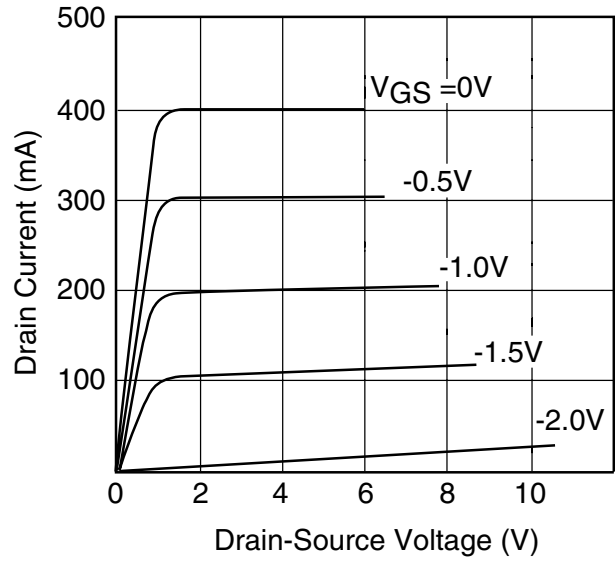
FLX107MH-12

X, Ku Band Power GaAs FET

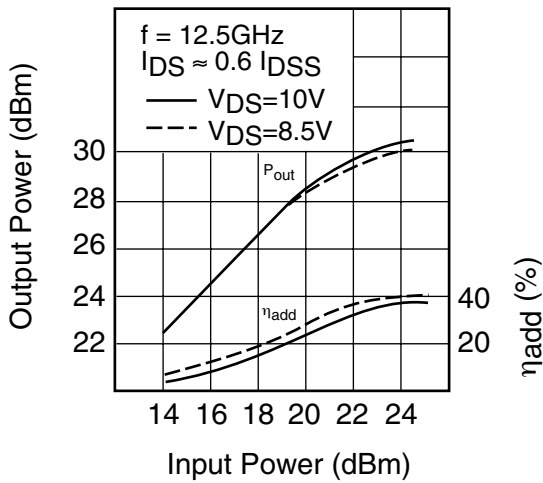
POWER DERATING CURVE



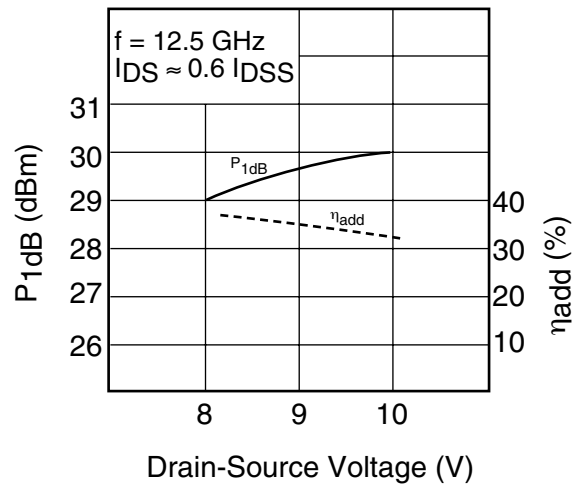
DRAIN CURRENT vs. DRAIN-SOURCE VOLTAGE



OUTPUT POWER vs. INPUT POWER

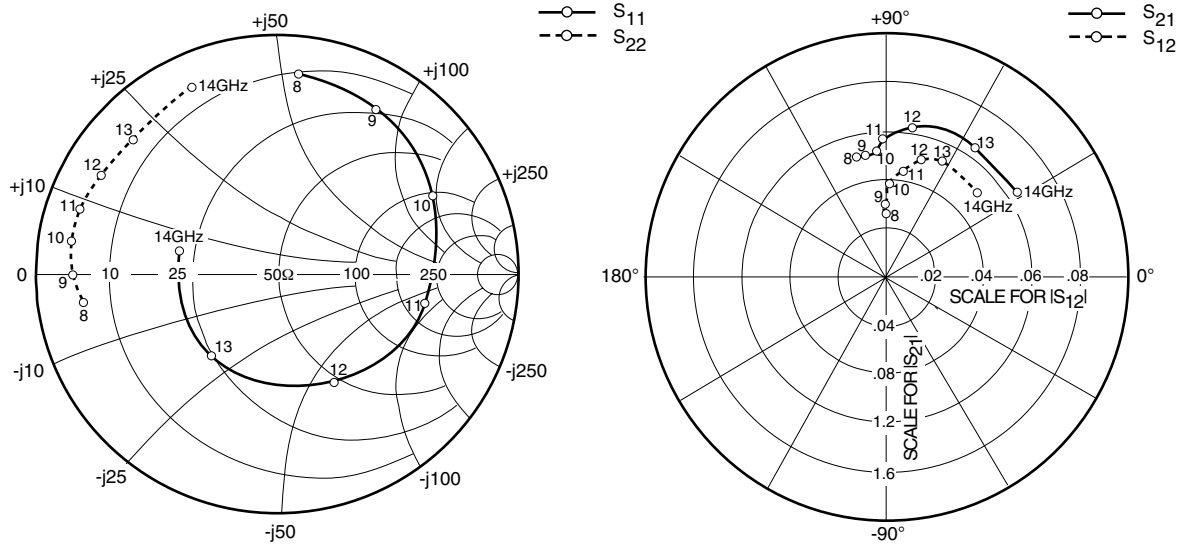


P_{1dB} & η_{add} vs. V_{DS}



FLX107MH-12

X, Ku Band Power GaAs



S-PARAMETERS

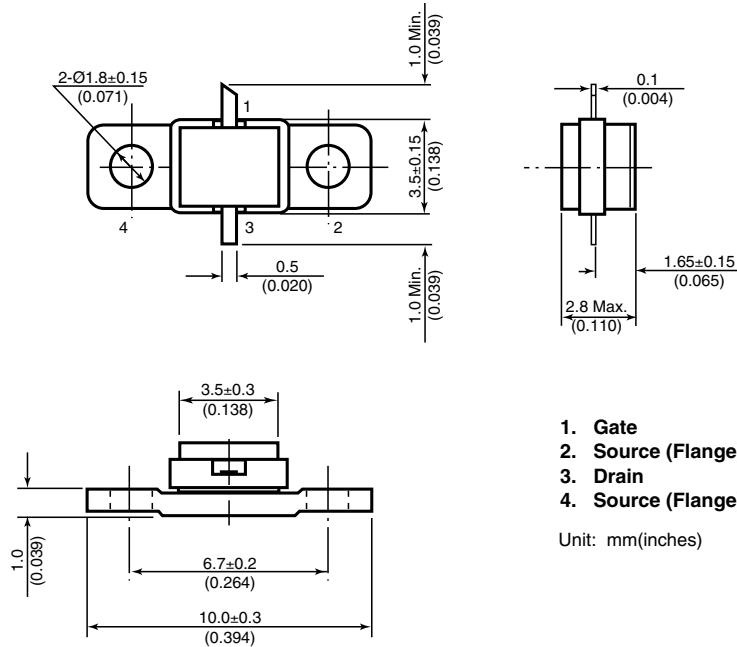
$V_{DS} = 10V, I_{DS} = 240mA$

FREQUENCY (MHZ)	S11		S21		S12		S22	
	MAG	ANG	MAG	ANG	MAG	ANG	MAG	ANG
500	.955	-100.1	8.764	132.9	.023	50.0	.281	-52.4
1000	.930	-137.3	5.517	117.2	.028	38.1	.295	-75.4
8000	.841	84.2	1.023	103.8	.026	90.8	.809	-171.9
8500	.820	72.6	1.011	102.2	.027	93.0	.828	-176.1
9000	.794	59.1	1.019	100.6	.029	92.2	.842	-179.9
9500	.766	44.2	1.026	98.8	.035	89.4	.854	175.9
10000	.721	26.8	1.037	95.1	.039	88.6	.867	170.8
10500	.681	8.7	1.014	93.7	.043	81.2	.881	166.6
11000	.627	-11.9	1.138	90.8	.044	81.0	.862	161.3
11500	.576	-34.7	1.222	85.6	.048	76.5	.839	156.5
12000	.516	-62.3	1.245	80.2	.050	74.0	.841	149.9
12500	.468	-94.0	1.311	72.9	.051	70.3	.829	143.6
13000	.438	-127.9	1.294	55.2	.053	64.2	.816	136.5
13500	.422	-161.2	1.293	54.9	.052	56.3	.844	127.8
14000	.412	168.2	1.282	32.7	.051	42.8	.863	114.2

FLX107MH-12

X, Ku Band Power GaAs FET

Case Style "MH" Metal-Ceramic Hermetic Package



For further information please contact:

FUJITSU COMPOUND SEMICONDUCTOR, INC.

2355 Zanker Rd.
San Jose, CA 95131-1138, U.S.A.
Phone: (408) 232-9500
FAX: (408) 428-9111
www.fcsi.fujitsu.com

FUJITSU MICROELECTRONICS, LTD.

Compound Semiconductor Division
Network House
Norreys Drive
Maidenhead, Berkshire SL6 4FJ
Phone: +44 (0)1628 504800
FAX: +44 (0)1628 504888

CAUTION

Fujitsu Compound Semiconductor Products contain **gallium arsenide (GaAs)** which can be hazardous to the human body and the environment. For safety, observe the following procedures:

- Do not put these products into the mouth.
- Do not alter the form of this product into a gas, powder, or liquid through burning, crushing, or chemical processing as these by-products are dangerous to the human body if inhaled, ingested, or swallowed.
- Observe government laws and company regulations when discarding this product. This product must be discarded in accordance with methods specified by applicable hazardous waste procedures.

Fujitsu Limited reserves the right to change products and specifications without notice. The information does not convey any license under rights of Fujitsu Limited or others.

© 1998 FUJITSU COMPOUND SEMICONDUCTOR, INC.
Printed in U.S.A. FCSI0598M200

FUJITSU