

30 Watts

AK60C

Total Power: 30 Watts
 Input Voltages: 48V
 No. of Outputs: Single



Electrical Specs

Input

Input range 36-75 VDC
 Input Surge 100V / 100ms
 Efficiency 84%@5V

Output

Load regulation 0.2% max
 (add 10mV for Vo 3.3V or less)
 Line regulation 0.2% max (5V or greater)
 (10mV for 3.3V or less)
 Ripple and noise 100mV max
 Output voltage adjust range +10-20% of nominal output
 Transient Response 5% max deviation with
 50% to 75% full load
 500 μ S (max) recovery

Overvoltage protection 140% Vo max
 Inception of current Limit 140% maximum output

Control

Voltage Adjust 80 to 110%
 Enable TTL compatible
 (positive & negative enable options)

Special Features

- Industry standard pin-out & performance 100°C baseplate temperature (no derating)
- Positive and negative enable function
- Low output ripple and noise
- Multiple pin length options
- Remote sense compensation
- Regulation to zero load
- Fixed frequency switching (300 kHz)

Environmental

Operating case temperature range:
 -40°C to +105°C
 Storage temperature: -55°C to +125°C
 MTBF: >1 million hours

Safety

UL UL1950
 CSA CSA22.2-950
 TUV EN60950

AMERICAS

5810 Van Allen Way
 Carlsbad, CA 92008
 Telephone: 760-930-4600
 Facsimile: 760-930-0698

EUROPE

Astec House, Waterfront Business Park
 Merry Hill, Dudley
 West Midlands, DY5 1LX, UK
 Telephone: +44(0)1384-842211
 Facsimile: +44(0)1384-843355

ASIA

17th Floor, Lu Plaza
 2 Wing Yip Street
 Kwun Tong, Kowloon
 Hong Kong SAR
 Telephone: 852-2176-3333
 Facsimile: 852-2176-3888



AK60C

Ordering Information

Input Voltage	Output Voltage	Model Number
48V	3.3V @ 6.5A	AK60C-048L-033F08
48V	5.0V @ 6.0A	AK60C-048L-050F06

NOTES:
 Enable Function
 "N" = negative logic enable (without "N" = positive enable)

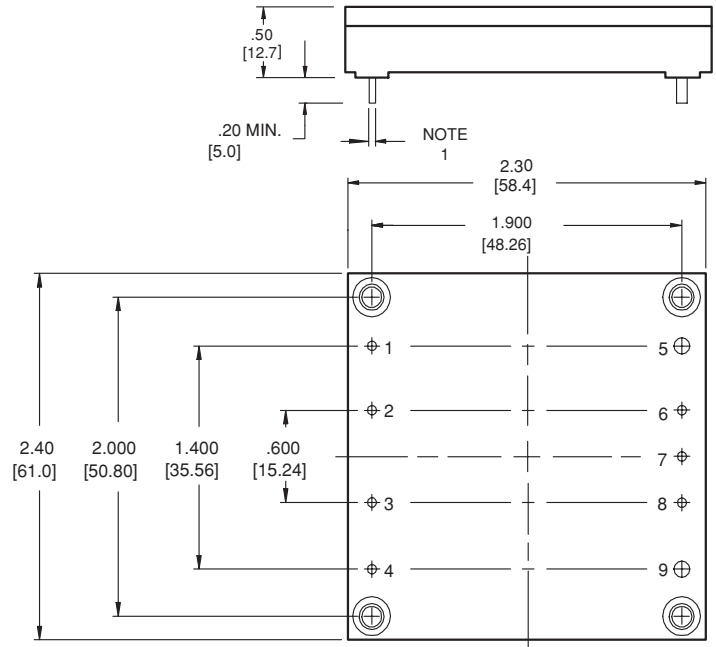
Pin Assignments

Single Output

1. -Vin
2. Case
3. Enable (on/off)
4. +Vin
5. -5V Rtn
6. -Sense
7. Trim
8. +Sense
9. +5V Out

NOTES

1. 20 MHz bandwidth. An external 2.2 mf ceramic capacitor is recommended to be placed from +V out to -V out.
2. Requires a 2.2 mf, 100V film capacitor connected between +V in and -V in to meet FCC class A and ETS300-386-1 requirements for conducted noise. Consult Factory for filtering information to meet FCC class B, VDE or EIC specifications.
3. All specifications are typical at nominal line, full load, and 25°C unless otherwise noted.
4. All specifications subject to change without notice. Mechanical drawings are for reference only.
5. Please refer to the Technical Reference Notes for more information.
6. Warranty: 1 yr



Mounting Inserts
 M3 X .5 (4 places)

BOTTOM VIEW

Case Material: Metal base/cover
 Weight: 2.75 Oz / 78 Grams