

## FEATURES

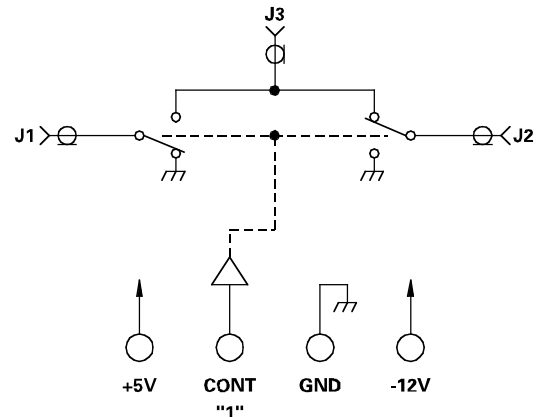
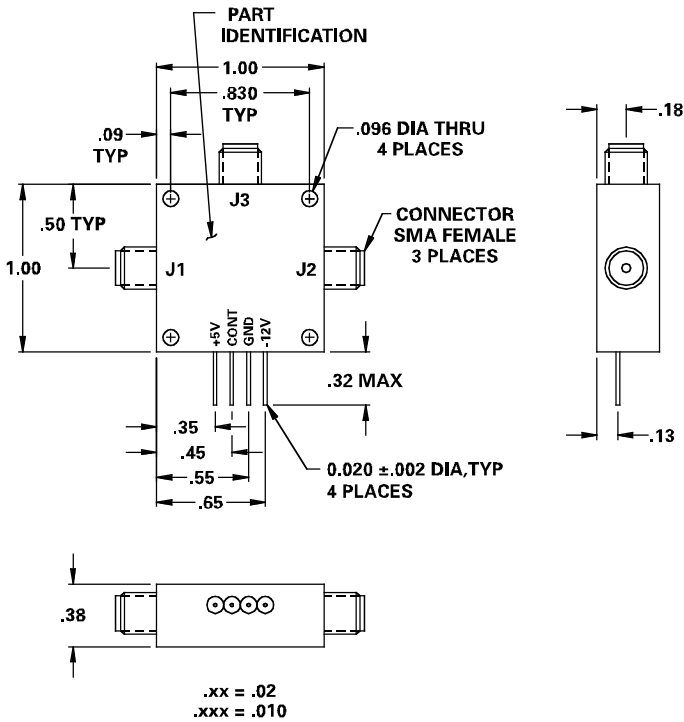
- .5 - 6 GHz
- +49 dBm 3rd Order Intercept Point
- 0.5 dB Insertion Loss
- High Isolation
- SMA Connectors



**MODEL NO.  
CSW26252**

**Switch SP2T**

SP2T



## GUARANTEED PERFORMANCE

| Parameter                    | Min                                | Typ          | Max        | Units      | Conditions   |
|------------------------------|------------------------------------|--------------|------------|------------|--|
| Operating Frequency          | 0.5                                |              | 6          | GHz        |  |
| DC Current                   |                                    | 10.6<br>22.4 | 150<br>160 | mA         | At +5 VDC Supply<br>At -12 VDC Supply                |
| Control Type                 |                                    | TTL          |            |            | 1 Line<br>Logic "1" = J2 - J3                        |
| Control Current              | <i>High</i><br><i>Low</i>          | ±1<br>±1     |            | µA<br>µA   | V <sub>IH</sub> = +2.7 V<br>V <sub>IL</sub> = +0.5 V |
| Insertion Loss               |                                    | 0.43<br>0.51 | 0.9<br>1.1 | dB<br>dB   | 0.5 - 2.0 GHz<br>2.0 - 6.0 GHz                       |
| Isolation                    |                                    | 40           | 62         | dB         |  |
| VSWR                         | <i>Thru</i>                        | 1.12/1       | 1.7/1      |            |  |
| Impedance                    |                                    | 50           |            | OHMS       |  |
| Switching Speed              |                                    | 0.17         | 2          | µSec       | 50% TTL - 90% / 10% RF                               |
| Switching (Video) Transients |                                    | 115          |            | mV         | Peak Value   |
| Intercept Points             | <i>2nd</i><br><i>3rd</i>           | +50<br>+20   | +71<br>+49 | dBm<br>dBm | 1.0 / 2.0 GHz<br>1.0 / 3.0 GHz                       |
| RF Power                     | <i>Operate</i><br><i>No Damage</i> |              | +27<br>+20 | dBm<br>dBm | 0.1 dB Compression                                   |
| Operating Temperature        | -54                                | +25          | +55        | °C         | TA   |

