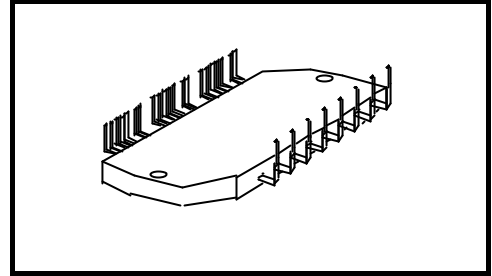


# MIG10J503

MIG10J503 is an intelligent power module for three-phase inverter system. The 4th generation low saturation voltage trench gate IGBT and FRD are connected to a three-phase full bridge type, and IC by the original high-voltage SOI(silicon-on-insulator) process drives these directly in response to a PWM signal. Moreover, since high-voltage level-shifter is built in high-voltage IC, while being able to perform a direct drive without the interface with which the upper arm IGBT is insulated, the drive power supply of an upper arm can be driven with a bootstrap system, and the simplification of a system is possible. Furthermore, each lower arm emitter terminal has been independent so that detection can perform current detection at the time of vector control by current detection resistance of a lower arm. The protection function builds in Under Voltage Protection, Short Circuit Protection, and Over Temperature Protection. Original high thermal conduction resin is adopted as a package, and low heat resistance is realized.



Weight:TBD g (Typ.)

## Feature

- The 4th generation trench gate thin wafer NPT IGBT is adopted.
- FRD is built in.
- The level shift circuit by high-voltage IC is built in.
- The simplification of a high side driver power supply is possible by the bootstrap system.
- Short Circuit Protection, Over Temperature Protection , and the Power Supply Under Voltage Protection function are built in.
- Short Circuit Protection and Over Temperature Protection state are outputted.
- The lower arm emitter terminal has been independent by each phase for the purpose of the current detection at the time of vector control.
- Low thermal resistance by adoption of original high thermal conduction resin.

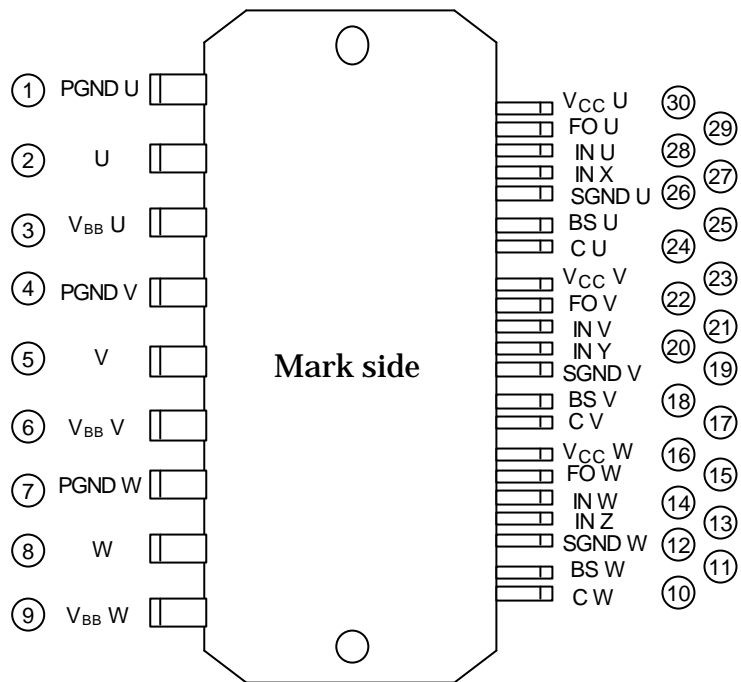
Since this product is MOS structure, it should be careful of static electricity in the case of handling.

This tentative specification is a development examination stage, and may change the contents without a preliminary announcement.

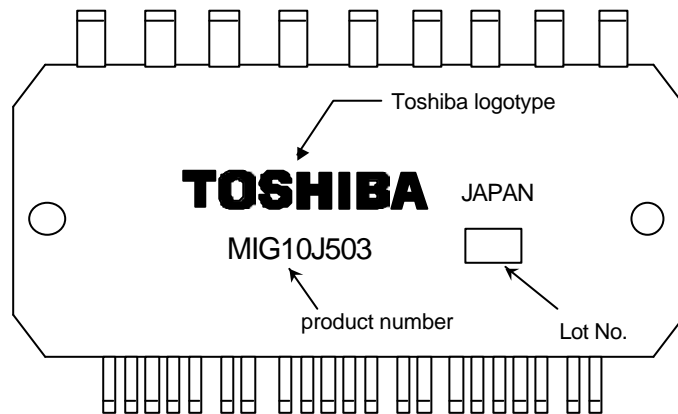
961001EAA1

- TOSHIBA is continually working to improve the quality and the reliability of its products. Nevertheless, semiconductor devices in general can malfunction or fail due to their inherent electrical sensitivity and vulnerability to physical stress. It is the responsibility of the buyer, when utilizing TOSHIBA products, to observe standards of safety, and to avoid situations in which a malfunction or failure of a TOSHIBA product could cause loss of human life, bodily injury or damage to property. In developing your designs, please ensure that TOSHIBA products are used within specified operating ranges as set forth in the most recent products specifications. Also, please keep in mind the precautions and conditions set forth in the TOSHIBA Semiconductor Reliability Handbook.
- The information contained herein is presented only as a guide for the applications of our products. No responsibility is assumed by TOSHIBA CORPORATION for any infringements of intellectual property or other rights of the third parties which may result from its use. No license is granted by implication or otherwise under any intellectual property or other rights of TOSHIBA CORPORATION or others.
- The information contained herein is subject to change without notice.

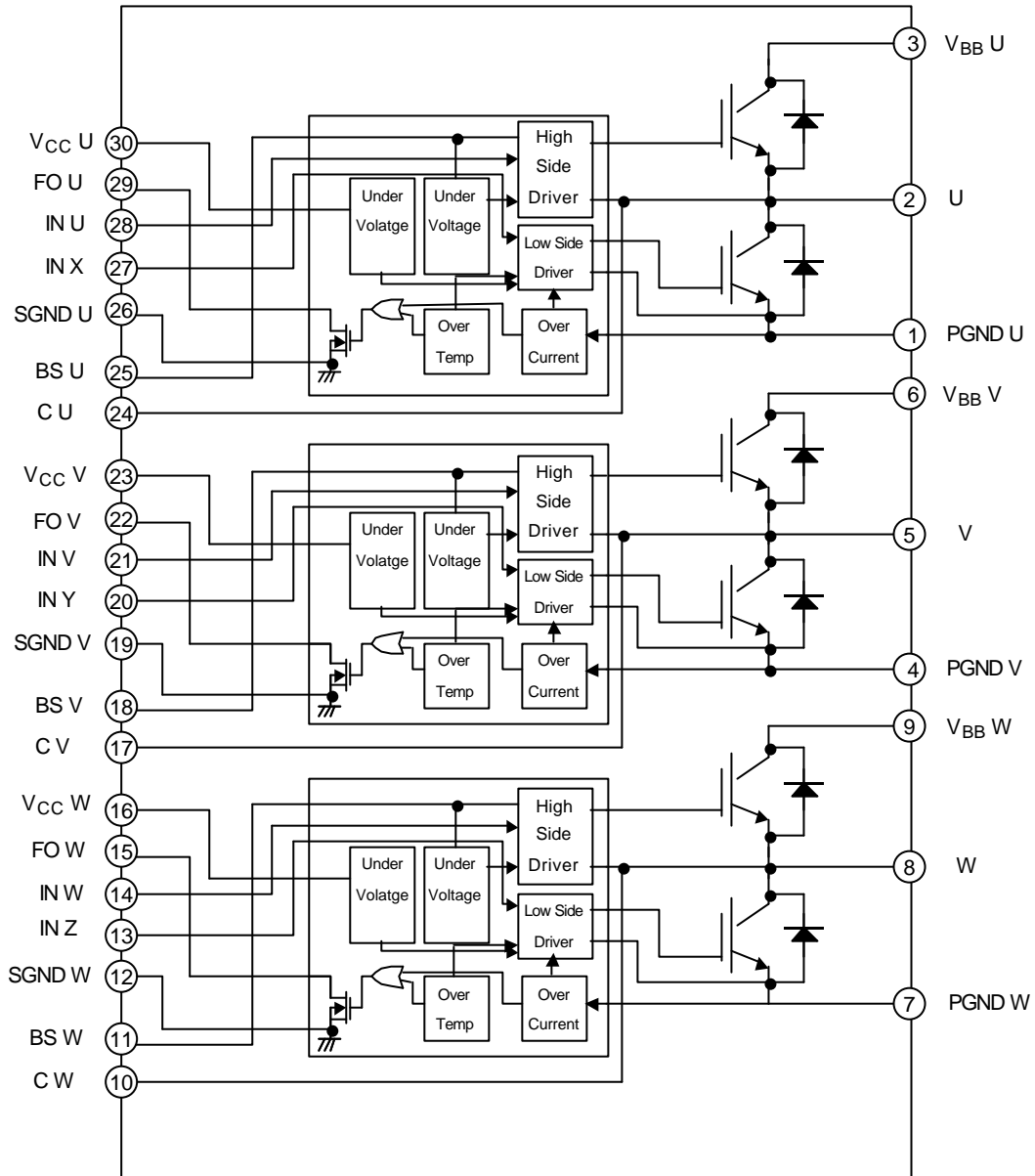
Pin Assignment



Marking



**BLOCK DIAGRAM**



## Pin Description

Pin No.	Symbol	Pin Description
1	PGND U	U-Phase Power Ground pin ( Connect a current detecting resistor between this pin and SGND U pin)
2	U	U-Phase output pin
3	V <sub>BB</sub> U	U-Phase high-voltage power supply pin
4	PGND V	V-Phase Power Ground pin ( Connect a current detecting resistor between this pin and SGND V pin)
5	V	V-Phase output pin
6	V <sub>BB</sub> V	V-Phase high-voltage power supply pin
7	PGND W	W-Phase Power Ground pin ( Connect a current detecting resistor between this pin and SGND W pin)
8	W	W-Phase output pin
9	V <sub>BB</sub> W	W-Phase high-voltage power supply pin
10	C W	W-Phase bootstrap capacitor connecting pin(-)
11	BS W	W-Phase bootstrap capacitor connecting pin(+)
12	SGND W	W-Phase Signal Ground pin
13	IN Z	W-Phase low -side input pin(Negative logic)
14	IN W	W-Phase high-side input pin(Negative logic)
15	FO W	W-Phase Diagnosis output pin(open drain output. Wired or connection can be performed with the Diagnosis output pin of other Phase.)
16	V <sub>CC</sub> W	W-Phase control power supply (+15V typ.)
17	C V	V-Phase bootstrap capacitor connecting pin(-)
18	BS V	V-Phase bootstrap capacitor connecting pin(+)
19	SGND V	V-Phase Signal Ground pin
20	IN Y	V-Phase low -side input pin (Negative logic)
21	IN V	V-Phase high-side input pin (Negative logic)
22	FO V	V-Phase Diagnosis output pin(open drain output. Wired or connection can be performed with the Diagnosis output pin of other Phase.)
23	V <sub>CC</sub> V	V-Phase control power supply (+15V typ.)
24	C U	U-Phase bootstrap capacitor connecting pin (-)
25	BS U	U-Phase bootstrap capacitor connecting pin (+)
26	SGND U	U-Phase Signal Ground pin
27	IN X	U-Phase low -side input pin (Negative logic)
28	IN U	U-Phase high-side input pin (Negative logic)
29	FO U	U-Phase Diagnosis output pin(open drain output. Wired or connection can be performed with the Diagnosis output pin of other Phase.)
30	V <sub>CC</sub> U	U-Phase control power supply (+15V typ.)

**Truth Tble**

Protection Circuit Detection State				Input		I G B T State		Fault Output
High Side Under Voltage	Low Side Under Voltage	Short Circuit	Over Temperature	IN(X)High Side Arm	IN(X)Low Side Arm	High Side Arm	Low Side Arm	FO(X)
Un-Detecting	Un-Detecting	Un-Detecting	Un-Detecting	H	H	OFF	OFF	OFF
Un-Detecting	Un-Detecting	Un-Detecting	Un-Detecting	H	L	OFF	ON	OFF
Un-Detecting	Un-Detecting	Un-Detecting	Un-Detecting	L	H	ON	OFF	OFF
Un-Detecting	Un-Detecting	Un-Detecting	Un-Detecting	L	L	OFF	OFF	OFF
Detecting	Un-Detecting	Un-Detecting	Un-Detecting	H	H	OFF	OFF	OFF
Detecting	Un-Detecting	Un-Detecting	Un-Detecting	H	L	OFF	ON	OFF
Detecting	Un-Detecting	Un-Detecting	Un-Detecting	L	H	OFF	OFF	OFF
Detecting	Un-Detecting	Un-Detecting	Un-Detecting	L	L	OFF	OFF	OFF
Un-Detecting	Detecting	Un-Detecting	Un-Detecting	H	H	OFF	OFF	OFF
Un-Detecting	Detecting	Un-Detecting	Un-Detecting	H	L	OFF	OFF	OFF
Un-Detecting	Detecting	Un-Detecting	Un-Detecting	L	H	OFF	OFF	OFF
Un-Detecting	Detecting	Un-Detecting	Un-Detecting	L	L	OFF	OFF	OFF
Detecting	Detecting	Un-Detecting	Un-Detecting	H	H	OFF	OFF	OFF
Detecting	Detecting	Un-Detecting	Un-Detecting	H	L	OFF	OFF	OFF
Detecting	Detecting	Un-Detecting	Un-Detecting	L	H	OFF	OFF	OFF
Detecting	Detecting	Un-Detecting	Un-Detecting	L	L	OFF	OFF	OFF
Un-Detecting	Un-Detecting	Detecting	Un-Detecting	H	H	OFF	OFF	ON
Un-Detecting	Un-Detecting	Detecting	Un-Detecting	H	L	OFF	OFF	ON
Un-Detecting	Un-Detecting	Detecting	Un-Detecting	L	H	OFF	OFF	ON
Un-Detecting	Un-Detecting	Detecting	Un-Detecting	L	L	OFF	OFF	ON
Un-Detecting	Un-Detecting	Un-Detecting	Detecting	H	H	OFF	OFF	ON
Un-Detecting	Un-Detecting	Un-Detecting	Detecting	H	L	OFF	OFF	ON
Un-Detecting	Un-Detecting	Un-Detecting	Detecting	L	H	OFF	OFF	ON
Un-Detecting	Un-Detecting	Un-Detecting	Detecting	L	L	OFF	OFF	ON
Un-Detecting	Un-Detecting	Detecting	Detecting	H	H	OFF	OFF	ON
Un-Detecting	Un-Detecting	Detecting	Detecting	H	L	OFF	OFF	ON
Un-Detecting	Un-Detecting	Detecting	Detecting	L	H	OFF	OFF	ON
Un-Detecting	Un-Detecting	Detecting	Detecting	L	L	OFF	OFF	ON

- The above has indicated a part for single arm.
- There is no relevance of operation between arms.
- When the input of a high side arm and a low side arm is simultaneously set to "L", IGBT of a high side arm and a low side arm turns off.
- FO (X) terminal is turned on in the meantime at the same time, as for the output of Phase which detected the load short circuit state, it will maintain the OFF between 10ms, if a Short Current Protection detects a Short Current state. Although an incoming signal is reset by an upper arm and a lower arm being simultaneously set to "H" in the back in this state, OFF of an output and FO (X) are maintained between 10ms. Although FO (X) is turned off when FO (X) terminal for 10ms will not be in the simultaneous "H" state of an upper arm and a lower arm in during ON time, an output maintains OFF. This release is made by an upper arm and a lower arm being simultaneously set to "H." (Short Current Protection is a non-repetition. When FO (X) turns on, please turn off the input of all Phase.)
- If an Over Temperature Protection circuit detects an Over Temperature state, while the output of Phase which detected the Over Temperature Protection state is turned off, FO (X) terminal turns it on. This state will return operation, if temperature falls to Over Temperature Protection detection return temperature (Over Temperature Protection temperature- Over Temperature Protection hysteresis).

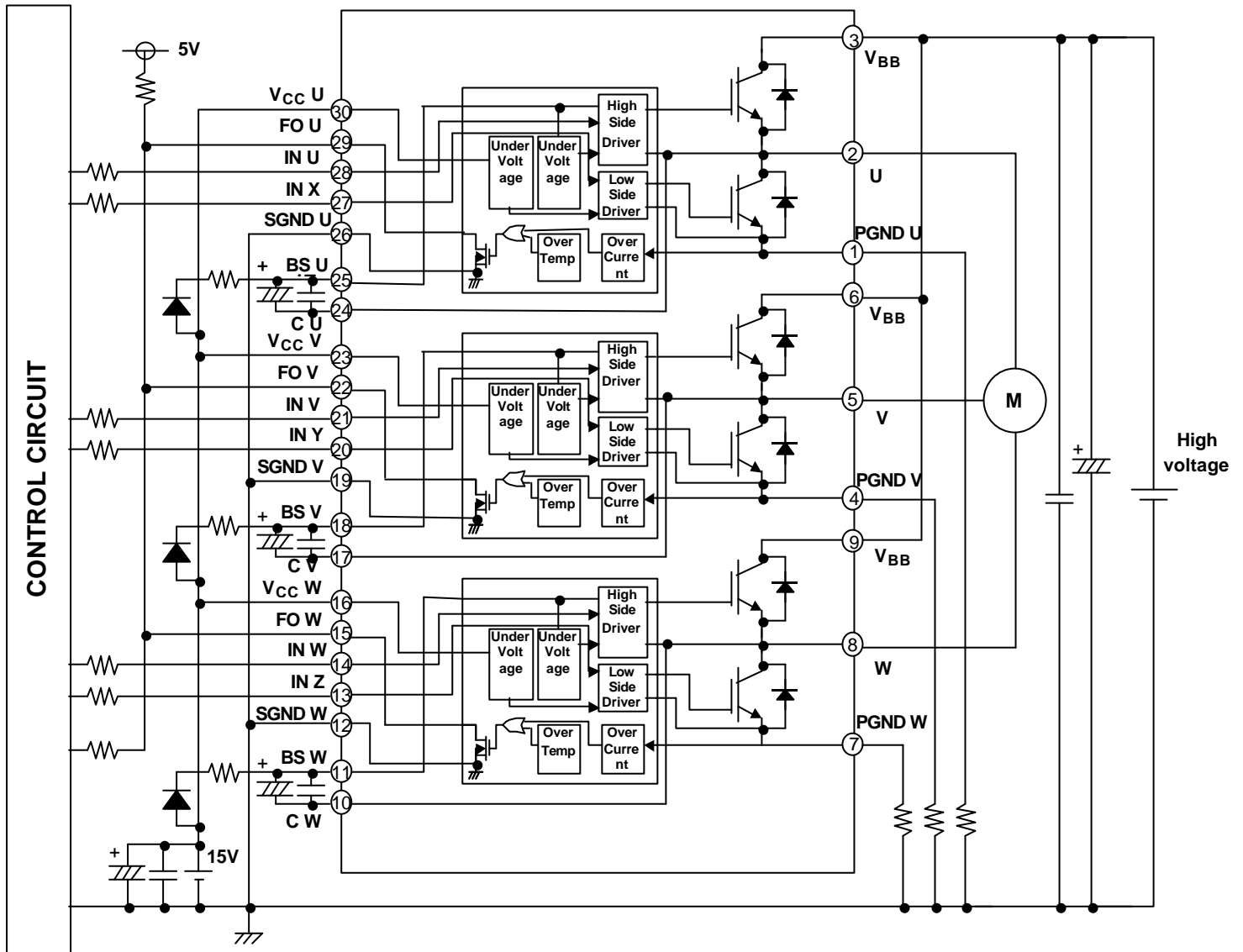
Absolute Maximum Rating (T<sub>j</sub> = 25°C)

Item	Symbol	Rating	Unit
Power Supply Voltage	V <sub>BB</sub>	450	V
	V <sub>BB(surge)</sub>	500	V
	V <sub>CC</sub>	20	V
	V <sub>BS</sub>	20	V
Collector-Emitter Voltage	V <sub>CES</sub>	600	V
Each Collector Current (DC)	I <sub>C</sub>	± 10	A
Each Collector Current (PEAK)	I <sub>CP</sub>	± 20	A
Input Voltage	V <sub>IN</sub>	20	V
Fault Output Supply Voltage	V <sub>FO</sub>	20	V
Fault Output Current	I <sub>FO</sub>	15	mA
PGND-SGND Voltage Difference	V <sub>PGND-SGND</sub>	± 5	V
Output Voltage Rate of Change	dv/dt	20	kV/μs
Collector Power Dissipation (Per 1 IGBT Chip)	P <sub>C</sub>	43	W
Collector Power Dissipation (Per 1 FRD Chip)	P <sub>C</sub>	25	W
Operating Temperature	T <sub>OP</sub>	-20~100	°C
Junction Temperature	T <sub>j</sub>	150	°C
Storage Temperature	T <sub>stg</sub>	-40~125	°C
Isolation Voltage ( 60Hz sinusoidal ,AC )	V <sub>ISO</sub>	2500 (1min)	V <sub>rms</sub>

**Electrical Characteristics (Tj = 25°C)**

Item	Symbol	Condition	Min.	Typ.	Max.	Unit
Operating Power Supply Voltage	V <sub>BB</sub>	—	50	300	400	V
	V <sub>CC</sub>	—	13.5	15	17	
	V <sub>BS</sub>	—	13.5	15	17	
Current dissipation	I <sub>BB</sub>	V <sub>BB</sub> = 400 V, V <sub>IN</sub> = 5 V ( 1 arm)	—	—	1	mA
	I <sub>CC</sub>	V <sub>CC</sub> = 15 V, V <sub>IN</sub> = 5 V ( 1 arm)	—	0.8	1.5	mA
		V <sub>CC</sub> = 15 V, V <sub>IN</sub> = 0 V ( 1 arm)	—	1.1	1.5	mA
	I <sub>BS</sub>	V <sub>CC</sub> = 15 V, V <sub>IN</sub> = 5 V ( 1 arm)	—	330	600	μA
V <sub>CC</sub> = 15 V, V <sub>IN</sub> = 0 V ( 1 arm)		—	470	1000	μA	
input Voltage	V <sub>IH</sub>	V <sub>IN</sub> = "H"	3.5	2.8	—	V
	V <sub>IL</sub>	V <sub>IN</sub> = "L"	—	2.3	1.5	
input Voltage hysteresis	V <sub>INHys</sub>	V <sub>IN</sub> = "H" "L"	—	0.5	—	V
		V <sub>IN</sub> = "L" "H"	—	0.5	—	
Input Current	I <sub>IH</sub>	V <sub>CC</sub> = 15 V, V <sub>IN</sub> = 5V	50	100	200	μA
	I <sub>IL</sub>	V <sub>CC</sub> = 15 V, V <sub>IN</sub> = 0 V	75	150	300	
IGBT Saturation Voltage	V <sub>satU</sub>	V <sub>CC</sub> = V <sub>BS</sub> = 15V, I <sub>C</sub> = 10 A, Upper Arm	—	1.5	2.0	V
	V <sub>satL</sub>	V <sub>CC</sub> = 15V, I <sub>C</sub> = 10 A, Lower Arm	—	1.5	2.0	
FRD Forward Voltage	V <sub>FU</sub>	I <sub>F</sub> = 10 A, Upper Arm	—	1.3	1.9	V
	V <sub>FL</sub>	I <sub>F</sub> = 10 A, Lower Arm	—	1.3	1.9	
Fault Output Voltage	V <sub>FO</sub>	I <sub>FO</sub> = 5 mA,	—	0.8	1.2	V
Short Current Protection Voltage	V <sub>R</sub>	Short Current Protection	0.45	0.5	0.55	V
Short Current Protection delay time	V <sub>R t d</sub>	Short Current Protection	0.5	1	2	μs
Over Temperature Protection	TSD	Over Temperature Protection	150	165	200	°C
Over Temperature Protection hys.	ΔTSD	Over Temperature Protection return	—	20	—	°C
Under Voltage Protection	V <sub>BSUVD</sub>	Upper Arm Under Voltage Protection	10.0	11.0	12.0	V
Under Voltage Protection recovery	V <sub>BSUVR</sub>	Upper Arm Under Voltage Protection recovery	10.5	11.5	12.5	
Under Voltage Protection	V <sub>CCUVD</sub>	Lower Arm Under Voltage Protection	10.5	11.5	12.5	
Under Voltage Protection recovery	V <sub>CCUVR</sub>	Lower Arm Under Voltage Protection recovery	11.0	12.0	13.0	
IGBT turn-on propagation delay time	t <sub>dON</sub>	V <sub>BB</sub> = 300 V, I <sub>C</sub> = 10A, Inductance Load	—	1.3	TBD	μs
IGBT rise time	t <sub>r</sub>	V <sub>BB</sub> = 300 V, I <sub>C</sub> = 10A, Inductance Load	—	0.1	TBD	
IGBT turn-on time	t <sub>ON</sub>	V <sub>BB</sub> = 300 V, I <sub>C</sub> = 10A, Inductance Load	—	1.4	TBD	
IGBT turn-off propagation delay time	t <sub>dOFF</sub>	V <sub>BB</sub> = 300 V, I <sub>C</sub> = 10A, Inductance Load	—	1.2	TBD	
IGBT fall time	t <sub>f</sub>	V <sub>BB</sub> = 300 V, I <sub>C</sub> = 10A, Inductance Load	—	0.1	TBD	
IGBT turn-off time	t <sub>OFF</sub>	V <sub>BB</sub> = 300 V, I <sub>C</sub> = 10A, Inductance Load	—	1.3	TBD	
IGBT vertical arm turn-on, a turn-off propagation delay time lag	t <sub>OFF L</sub> - t <sub>ON H</sub>	V <sub>BB</sub> = 300 V, I <sub>C</sub> = 10A, Inductance Load ( include each Phase )	—	0	300	ns
IGBT vertical arm turn-on, a turn-off propagation delay time lag	t <sub>OFF H</sub> - t <sub>ON L</sub>	V <sub>BB</sub> = 300 V, I <sub>C</sub> = 10A, Inductance Load ( include each Phase )	—	0	300	ns
daed time	t <sub>daed</sub>	V <sub>BB</sub> = 300 V, I <sub>C</sub> = 10A, Inductance Load	1	—	—	μs
FRD reverse recovery time	t <sub>rr</sub>	V <sub>BB</sub> = 300 V, I <sub>F</sub> = 10 A	—	100	—	ns

The example of an application circuit (in the case of not insulating with a control side)





Package Outline

Unit : mm

