

SMBus System Clock Buffer for Mobile Applications

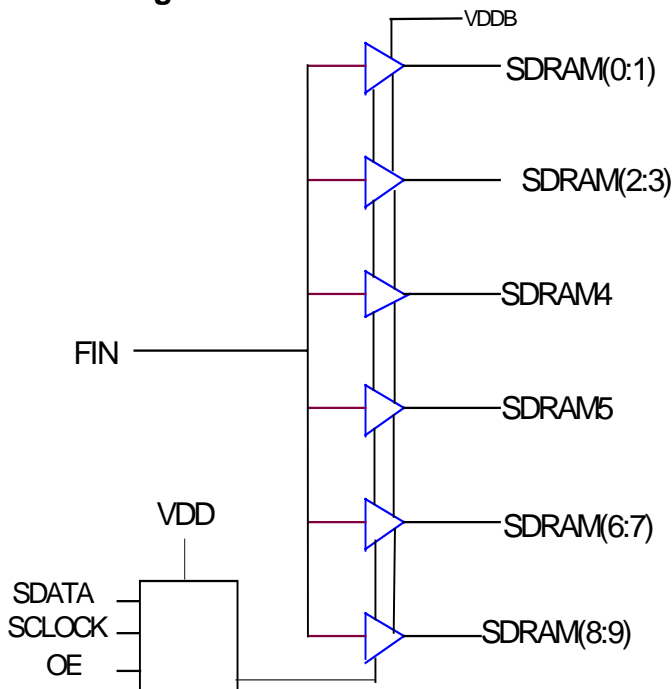
Product Features

- 10 output buffers for high clock fanout applications
- Each output can be internally disabled for EMI and power consumption reduction.
- Separate power supply for each group of 2 clock outputs for mixed voltage application.
- < 250ps skew between output clocks.
- 28-pin SSOP package for minimum board space
- Single output Tristate pin for testability

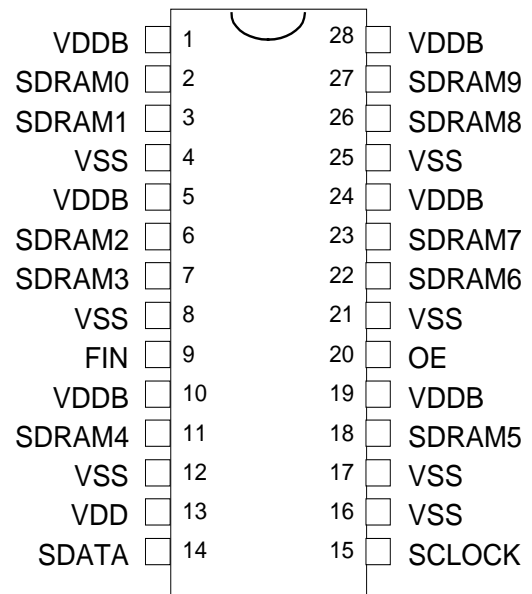
Product Description

The device is a high fanout system clock distributor. Its primary application is to create the large quantity of clocks needed to support a wide range of clock loads that are referenced to a single existing clock. Loads of up to 30 pF are supported. Primary application of this component is where long traces are used to transport clocks from their generating devices to their loads. The creation of EMI and the degradation of waveform rise and fall times is greatly reduced by running a single reference clock trace to this device and then using it to regenerate the clock that drives shorter traces by using the SC660 to generate the clocks at the target devices. EMI is therefore minimized and board real estate is saved.

Block Diagram



Pin Configuration





SMBus System Clock Buffer for Mobile Applications

Pin Description

PIN No.	Pin Name	PWR	I/O	TYPE	Description
9	FIN	-	I	PAD	This pin is connected to the input reference clock. This clock must be in the range of 10.0 to 100.0 Mhz.
2,3,6,7,11,18,22,23,26,27	SDRAM(0:9)	VDD	O	BUF1	Low skew output clocks.
20	OE	-	I	PAD	Buffer Output Enable pin. This pin is low it is used to place all output clocks (CLK1:10) in a tri state condition. This feature facilitates in production board level testing to be easily implemented for the clocks that this device produces. Has internal pull-up resistor.
14	SDATA	VDD	I/O	PAD	Serial Data for SMBus control interface. This pin receives data streams from the SMBus bus and outputs an acknowledge for valid data.
15	SCLOCK	VDD	I	PAD	Serial Clock for SMBus control interface.
4, 8, 12, 16, 17, 21, 25	VSS		PWR	-	Ground pins for clock output buffers. These pins must be returned to the same potential to reduce output clock skew.
1, 5, 10, 19, 24, 28	VDD	-	PWR	-	Power for output clock buffers.
13	VDD	-	PWR	-	Pin for device core logic.

Maximum Ratings¹

Voltage Relative to VSS:	-0.3V
Voltage Relative to VDD:	0.3V
Storage Temperature:	-65°C to + 150°C
Operating Temperature:	-40°C to +85°C
Maximum Power Supply:	7V

This device contains circuitry to protect the inputs against damage due to high static voltages or electric field; however, precautions should be taken to avoid application of any voltage higher than the maximum rated voltages to this circuit. For proper operation, Vin and Vout should be constrained to the range:

$$VSS < (V_{in} \text{ or } V_{out}) < VDD$$

Unused inputs must always be tied to an appropriate logic voltage level (either VSS or VDD).

¹ Multiple Supplies: The voltage on any input or I/O pin cannot exceed the power pin during power-up. Power supply sequencing is NOT required.



SMBus System Clock Buffer for Mobile Applications

2-Wire SMBus Control Interface

The 2-wire control interface implements a write only slave interface. The device cannot be read back. Sub-addressing is not supported, thus all preceding bytes must be sent in order to change one of the control bytes. The 2-wire control interface allows each clock output to be individually enabled or disabled.

During normal data transfer, the SDATA signal only changes when the SDCLK signal is low, and is stable when SDCLK is high. There are two exceptions to this. A high to low transition on SDATA while SDCLK is high is used to indicate the start of a data transfer cycle. A low to high transition on SDATA while SDCLK is high indicates the end of a data transfer cycle. Data is always sent as complete 8-bit bytes, after which an acknowledge is generated. The first byte of a transfer cycle is a 7-bit address with a Read/Write bit as the LSB. Data is transferred MSB first.

The device will respond to writes to 10 bytes (max) of data to address **D2** by generating the acknowledge (low) signal on the SDATA wire following reception of each byte. The device will not respond to any other control interface conditions. Previously set control registers are retained.

Serial Control Registers

NOTE: The Pin# column lists the affected pin number where applicable. The @Pup column gives the state at true power up. Bytes are set to the values shown only on true power up, and not when the PWR_DWN# pin is activated.

Following the acknowledge of the Address Byte (D2), two additional bytes must be sent:

- 1) "**Command Code**" byte, and
- 2) "**Byte Count**" byte.

Although the data (bits) in these two bytes are considered "don't care", they must be sent and will be acknowledged.

After the Command Code and the Count bytes have been acknowledged, the below described sequence (Byte 0, Byte 1, Byte2,) will be valid and acknowledged.

Byte 0: Function Select Register (1 = enable, 0 = Stopped)

Bit	@Pup	Pin#	Description
7	1	-	reserved
6	1	-	reserved
5	1	-	reserved
4	1	-	reserved
3	1	7	SDRAM3 (Active = 1, Forced low = 0)
2	1	6	SDRAM2 (Active = 1, Forced low = 0)
1	1	3	SDRAM1 (Active = 1, Forced low = 0)
0	1	2	SDRAM0 (Active = 1, Forced low = 0)



SMBus System Clock Buffer for Mobile Applications

Serial Control Registers (Cont.)

Byte 1: Clock Register (1 = enable, 0 = Stopped)

Bit	@Pup	Pin#	Description
7	1	27	SDRAM9 (Active = 1, Forced low = 0)
6	1	26	SDRAM8 (Active = 1, Forced low = 0)
5	1	23	SDRAM7 (Active = 1, Forced low = 0)
4	1	22	SDRAM6 (Active = 1, Forced low = 0)
3	1	-	reserved
2	1	-	reserved
1	1	-	reserved
0	1	-	reserved

Byte 2: Clock Register (1 = enable, 0 = Stopped)

Bit	@Pup	Pin#	Description
7	1	18	SDRAM5 (Active = 1, Forced low = 0)
6	1	11	SDRAM4 (Active = 1, Forced low = 0)
5	0	-	Not Used
4	0	-	Not Used
3	0	-	Not Used
2	0	-	Not Used
1	1	-	Not Used
0	1	-	Not Used



SMBus System Clock Buffer for Mobile Applications

Electrical Characteristics

Characteristic	Symbol	Min	Typ	Max	Units	Conditions
Input Low Voltage	VIL	-	-	0.8	Vdc	-
Input High Voltage	VIH	2.0	-	-	Vdc	-
Input Low Current	IIL	-66			µA	
Input High Current	IIH			66	µA	
Output Low Voltage IOL = 40mA	VOL	-	-	0.4	Vdc	All Outputs (see buffer spec)
Output High Voltage IOH = 30mA	VOH	2.4	-	-	Vdc	All Outputs Using 3.3V Power (see buffer spec)
Tri-State leakage Current	Ioz	-	-	10	µA	
Dynamic Supply Current	Idd ₆₆	-	-	160	mA	Input frequency = 66 Mhz - All outputs on and at 30 pF load
	Idd ₁₀₀	-	-	220	mA	Input frequency 100 Mhz - All outputs on and at 30 pF load
Static Supply Current	Isdd	-	-	4	mA	All outputs disabled no input clock
Short Circuit Current	ISC	25	-	-	mA	1 output at a time - 30 seconds
Input Rise Time	TIR	2.4	-	-	nS	.8 to 2.4 volts
VDD = VDD1 thru VDD5 = 3.3V ±5%, , TA = -40°C to +85°C						

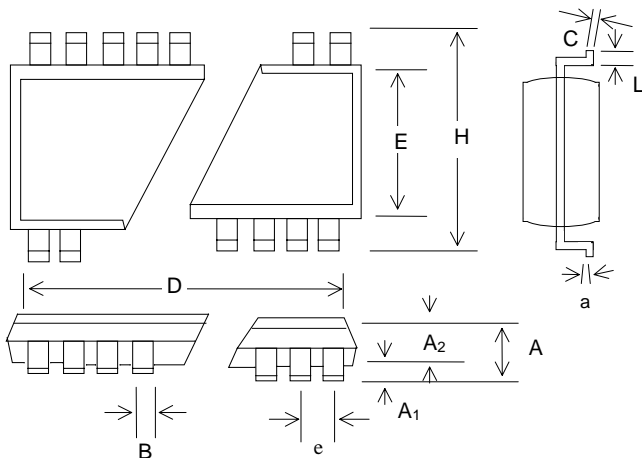
Switching Characteristics

Characteristic	Symbol	Min	Typ	Max	Units	Conditions
Output Duty Cycle	-	45	50	55	%	Measured at 1.5V (50/50 in)
Buffer out/out Skew All Buffer Outputs	tSKEW	-	-	250	pS	35 pF Load Measured at 1.5V
Buffer input to output Skew	tSKEW	2.0	4.0	5.0	nS	
Jitter Cycle to Cycle*	TJCC			50	pS	@ 35 pF loading
Jitter Absolute (Peak to Peak)*	TJabs			150	pS	@ 35 pF loading
VDD = VDD1 thru VDD5 = 3.3V ±5%, , TA = -40°C to +85°C						

*This jitter is additive to the input clock's jitter.

SMBus System Clock Buffer for Mobile Applications
TB40_ Type Buffer Characteristics (All Clock Outputs)

Characteristic	Symbol	Min	Typ	Max	Units	Conditions
Pull-Up Current Min	IOH_{min}	30	-	39	mA	$V_{out} = V_{DD} - .5V$
Pull-Up Current Max	IOH_{max}	75	-	109	mA	$V_{out} = 1.5V$
Pull-Down Current Min	IOL_{min}	30	-	40	mA	$V_{out} = 0.4$
Pull-Down Current Max	IOL_{max}	75	-	103	mA	$V_{out} = 1.2V$
Dynamic Output Impedance	Z_o	8	-	15	Ohms	66 and 100 MHz
Rise/Fall Time Min Between 0.4 V and 2.4 V	TRF_{min}	-	-	1.33	nS	30 pF Load
Rise/Fall Time Max Between 0.4 V and 2.4 V	TRF_{max}	-	-	1.33	nS	30 pF Load
$V_{DD} = V_{DD1}$ thru $V_{DD5} = 3.3V \pm 5\%$, , $T_A = -40^{\circ}C$ to $+85^{\circ}C$						

Package Drawing and Dimensions

28 Pin SSOP Outline Dimensions

SYMBOL	INCHES			MILLIMETERS		
	MIN	NOM	MAX	MIN	NOM	MAX
A	-	-	0.079	-	-	2.0
A ₁	0.002	-	0.006	0.05	-	0.15
A ₂	0.065	0.069	0.073	1.65	1.75	1.85
B	0.009	-	0.015	0.22	-	0.38
C	0.004	-	0.010	0.09	-	0.25
D	0.390	0.402	0.413	9.90	10.20	10.50
E	0.197	0.209	0.220	5.00	5.30	5.60
e	0.026 BSC			0.65 BSC		
H	0.291	0.307	0.323	7.40	7.80	8.20
L	0.022	0.030	0.037	0.55	0.75	0.95
a	0°	-	8°	0°	-	8°



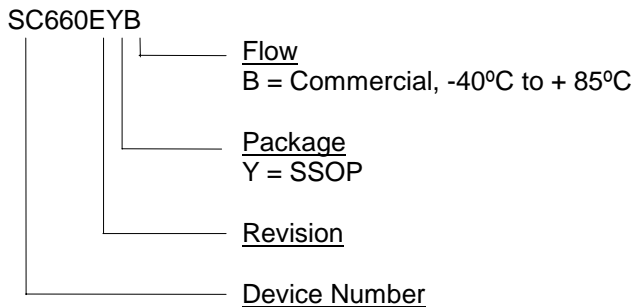
SMBus System Clock Buffer for Mobile Applications

Ordering Information

Part Number	Package Type	Production Flow
SC660EYB	28 PIN SSOP	Commercial, -40°C to +85°C

Note: The ordering part number is formed by a combination of device number, device revision, package style, and screening as shown below.

Marking: Example: IMI
SC660EYB
Date Code, Lot #



Notice

Cypress Semiconductor Corporation reserves the right to make changes to its products in order to improve design, performance or reliability. Cypress Semiconductor Corporation assumes no responsibility for the use of its products in life supporting and medical applications where the failure or malfunction of the product could cause failure of the life supporting and medical systems. Products are not authorized for use in such applications unless a written approval is requested by the manufacturer and an approval is given in writing by Cypress Semiconductor Corporation for the use of its products in the life supporting and medical applications.



SMBus System Clock Buffer for Mobile Applications

Document Title: SC660E SMBus System Clock Buffer for Mobile Applications				
Document Number: 38-07025				
Rev.	ECN No.	Issue Date	Orig. of Change	Description of Change
**	106953	06/14/01	IKA	Convert from IMI to Cypress
*A	122723	12/17/02	RBI	Added power-up requirements to maximum ratings information.