

ISDN U Interface Hybrid

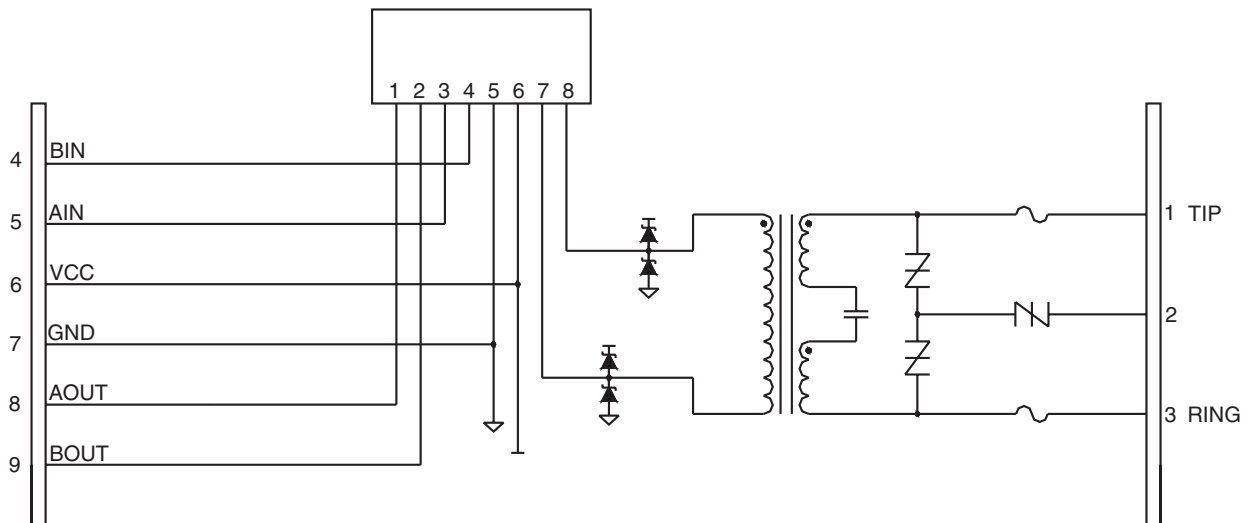
0803-6204-01

ELECTRICAL SPECIFICATIONS @ 25°C

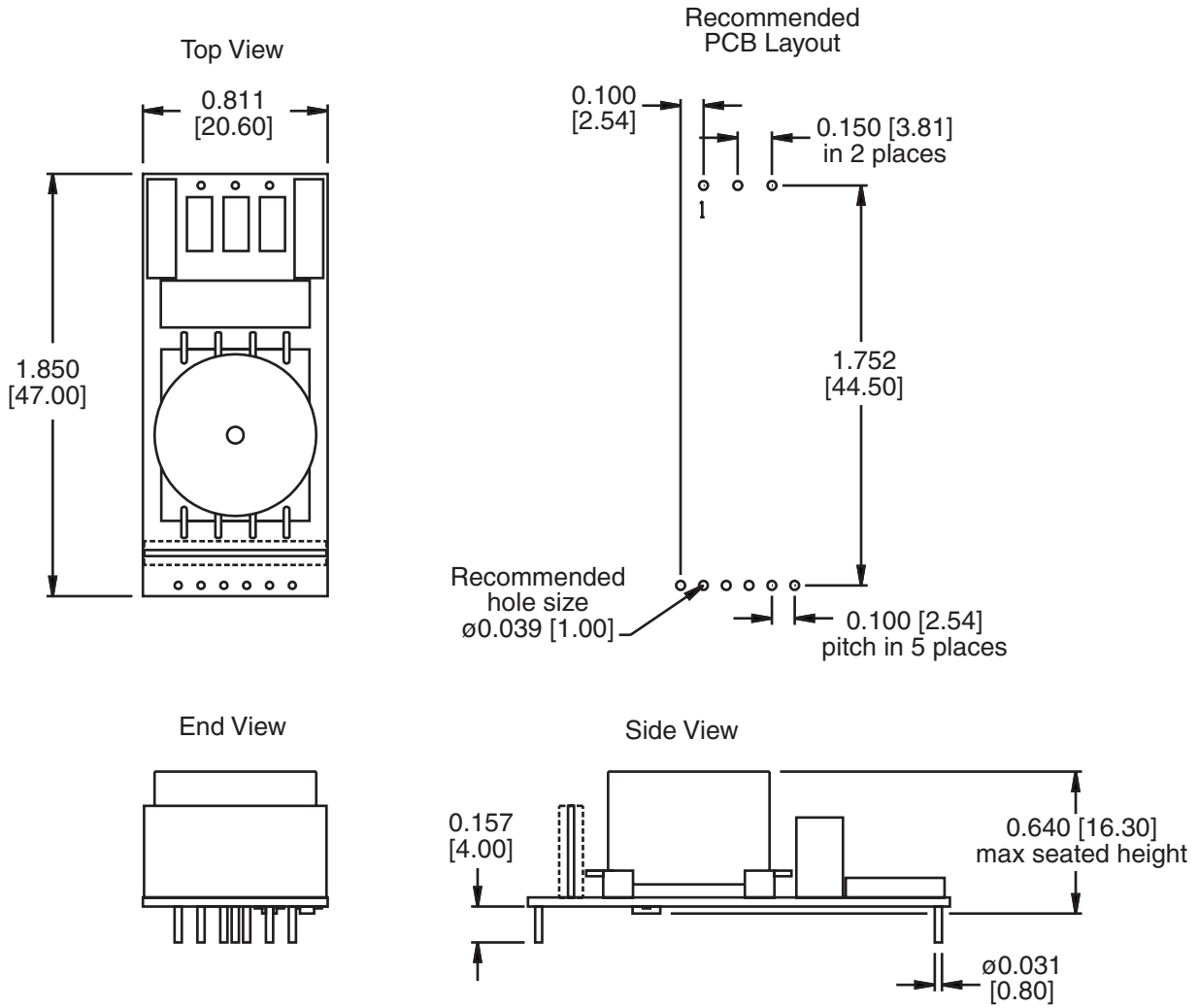
Turns Ratio +/-5%	Primary Inductance mH min	Leakage Inductance uH max	Primary DCR Ω max	Secondary DCR Ω max	Capacitance pF max	Isolation Voltage Vrms
PRI : SEC						PRI : SEC
1.6 : 1	14.5	90	7	4.5	70	1500

NOTES: DESIGNED FOR INFINEON U INTERFACE TRANSCEIVER IC

SCHEMATIC



MECHANICAL



NOTES: NOT TO SCALE
TOLERANCE +/- 0.2 MM
ALL DIMENSIONS IN INCHES [MM]

PIN DIAMETER 0.75 MM MAX
DOT ON TOP OF SURFACE INDICATES PIN 1

©2004 Bel Fuse Inc. Specifications subject to change without notice. 01.21.04

CORPORATE

Bel Fuse Inc.
206 Van Vorst Street
Jersey City, NJ 07302
Tel 201-432-0463
Fax 201-432-9542
www.belfuse.com

FAR EAST

Bel Fuse Ltd.
8F / 8 Luk Hop Street
San Po Kong
Kowloon, Hong Kong
Tel 852-2328-5515
Fax 852-2352-3706
www.belfuse.com

EUROPE

Bel Stewart Connector
45/46 Riverside
Medway City Estate
Rochester, Kent ME2 4DP U.K.
Tel 44-1634-722890
Fax 44-1634-716677
www.belfuse.com