



Quad Line Receiver

AVAILABLE AS MILITARY SPECIFICATIONS

- Military Equivalent Screening - 883 1.2.2

GENERAL DESCRIPTION

The AS10515F16MIL is a quad differential amplifier designed for use in sensing differential signals over long lines. The base bias supply (V_{BB}) is made available at pin 9 to make the device useful as a Schmitt trigger, or in other applications where a stable reference voltage is necessary.

Active current sources provide the AS10515F16MIL with excellent common mode noise rejection. If any amplifier in a package is not used, one input of that amplifier must be connected to V_{BB} (pin 9) to prevent upsetting the current source bias network.

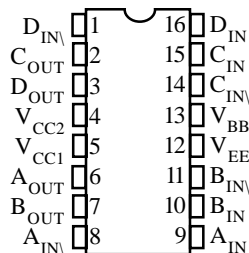
- $P_D = 150\text{mW Max/Pkg}$ (No Load)
- $t_{pd} = 2.0\text{ns typ}$
- $t_r, t_f = 2.0\text{ns type}$ (20% - 80%)

PIN ASSIGNMENTS

FUNCTION	FLATS	BURN-IN (CONDITION C)
V_{CC1}	5	GND
A_{OUT}	6	$51\ \Omega$ to V_{TT}
B_{OUT}	7	$51\ \Omega$ to V_{TT}
$A_{IN}\backslash$	8	V_{BB}
A_{IN}	9	GND
B_{IN}	10	GND
$B_{IN}\backslash$	11	V_{BB}
V_{EE}	12	V_{EE}
V_{BB}	13	V_{BB}
$C_{IN}\backslash$	14	V_{BB}
C_{IN}	15	GND
D_{IN}	16	GND
$D_{IN}\backslash$	1	V_{BB}
C_{OUT}	2	$51\ \Omega$ to V_{TT}
D_{OUT}	3	$51\ \Omega$ to V_{TT}
V_{CC2}	4	GND

PIN ASSIGNMENT (Top View)

16-Pin FlatPack (F)



BURN-IN CONDITIONS:

$V_{TT} = -2.0\text{V MAX}/ -2.2\text{V MIN}$

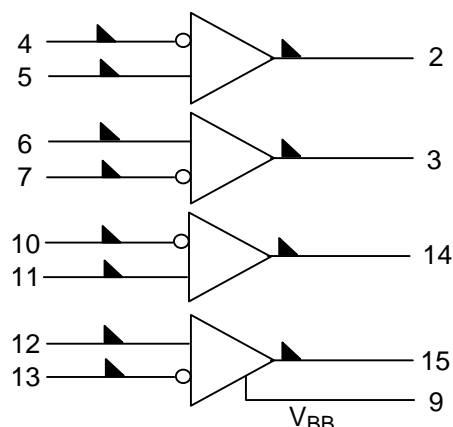
$V_{EE} = -5.7\text{V MAX}/ -5.2\text{V MIN}$

V_{BB} = All pins designated for V_{BB} must be tied together, no external voltage applied.

NOTES

1. V_{BB} to be used to supply bias to the AS10515F16MIL only and bypassed (when used) with $0.01\ \mu\text{F}$ to $0.1\ \mu\text{F}$ capacitor.
2. When the input pin with the bubble goes positive, the output goes negative.

LOGIC DIAGRAM

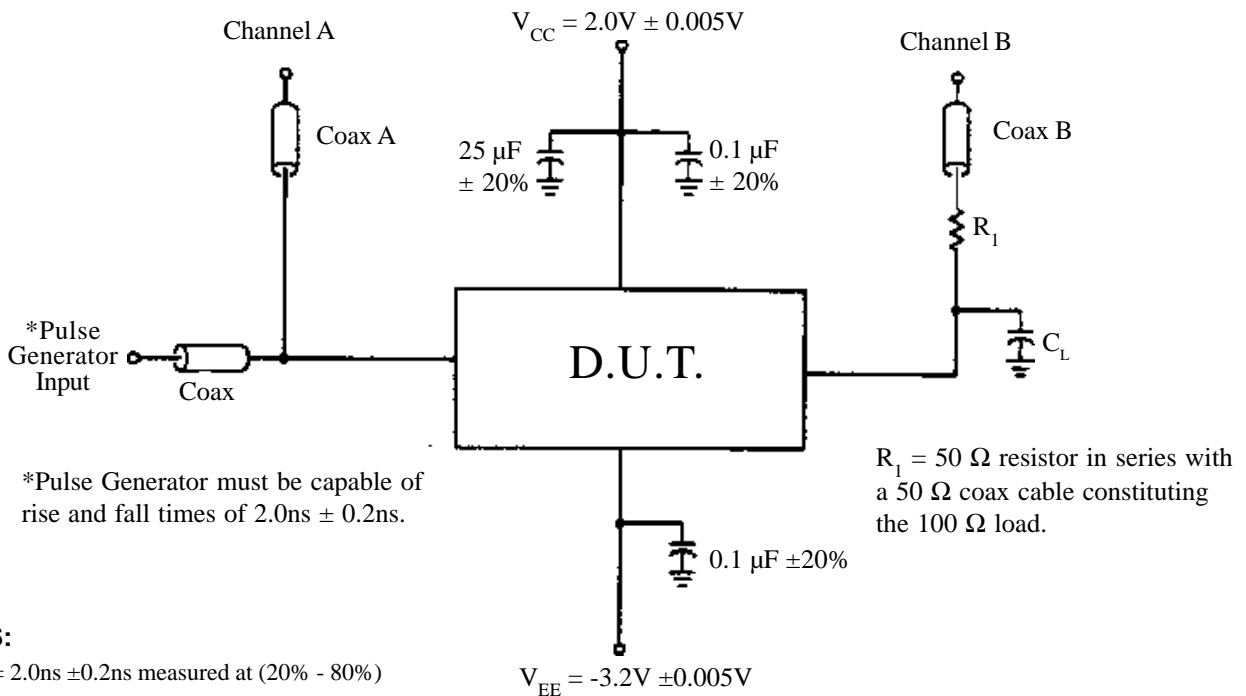


For more products and information
please visit our web site at
www.austinsemiconductor.com



Quad Line Receiver AS10515F16MIL

Austin Semiconductor, Inc.



NOTES:

- $t_r = t_f = 2.0ns \pm 0.2ns$ measured at (20% - 80%)
- $P_W \geq 20ns$
- $P_{RF} = 1.0 MHz$
- $R_1 = 50 \Omega$ resistor in series with 50Ω coax constituting the 100Ω load.
- Unused outputs should be loaded 100Ω to ground.
- 2:1 divider may be used.

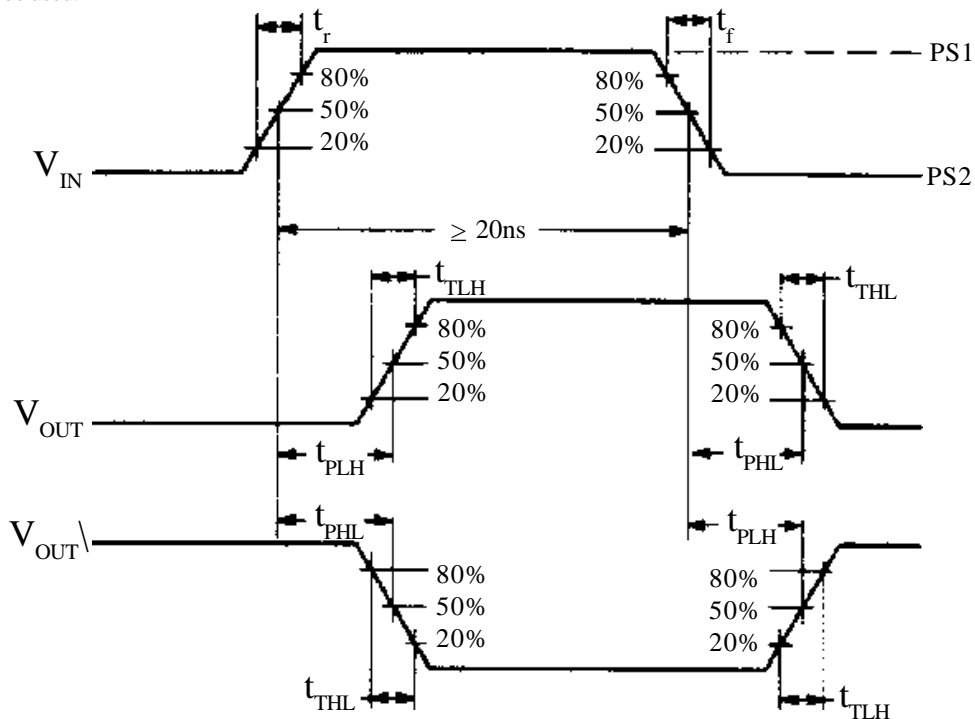


Figure 1. Switching Test Circuit and Waveforms



Austin Semiconductor, Inc.

Quad Line Receiver
AS10515F16MIL

QUIESCENT LIMIT TABLE*

* ELECTRICAL CHARACTERISTICS

Each MECL 10K series circuit has been designed to meet the dc specifications shown in the test table, after thermal equilibrium has been established. The circuit is in a test socket or mounted on a printed circuit board and transverse air flow greater than 500 linear fpm is maintained. Outputs are terminated through a 100 Ω resistor to -2.0 volts.

Test Temperature	Test Voltage Values (Volts)								
	V _{IH1}	V _{IL1}	V _{IH2}	V _{IL2}	P _{S1}	P _{S2}	V _{EEL}	V _{EE}	V _{CB}
T _A = 25°C	-0.78	-1.85	-1.105	-1.475	+1.11	+0.31	-3.2	-5.2	-5.2
T _A = 125°C	-0.63	-1.82	-1.000	-1.400	+1.24	+0.36	-3.2	-5.2	-5.2
T _A = -55°C	-0.88	-1.92	-1.255	-1.510	+1.01	+0.28	-3.2	-5.2	-5.2

SYMBOL	PARAMETER	LIMITS						UNITS	TEST VOLTAGE APPLIED TO PINS BELOW:							
		+25°C		+125°C		-55°C			Pinouts referenced are for F package, check Pin Assignments							
		Subgroup 1		Subgroup 2		Subgroup 3			V _{CC} = 0V, Output Load = 100 Ω to -2.0V							
		MIN	MAX	MIN	MAX	MIN	MAX		V _{IH1}	V _{IL1}	V _{IH2}	V _{IL2}	V _{EE}	V _{CC}	***	P.U.T.
V _{OH}	High Output Voltage	-0.93	-0.78	-0.825	-0.63	-1.08	-0.88	V	5, 6, 11, 12	4, 7, 10, 13			8	1, 16	4 - 7 11 - 13	2, 3, 14, 15
V _{OL}	Low Output Voltage	-1.85	-1.62	-1.82	-1.545	-1.92	-1.655	V	4, 7, 10, 13	5, 6, 11, 12			8	1, 16	4 - 7 11 - 13	2, 3, 14, 15
V _{OH1}	High Output Voltage	-0.95	-0.78	-0.845	-0.63	-1.10	-0.88	V			5, 6, 11, 12	4, 7, 10, 13	8	1, 16	4 - 7 11 - 13	2, 3, 14, 15
V _{OL1}	Low Output Voltage	-1.85	-1.60	-1.82	-1.525	-1.92	-1.635	V			4, 7, 10, 13	5, 6, 11, 12	8	1, 16	4 - 7 11 - 13	2, 3, 14, 15
**V _{BB}	Reference Voltage	-1.35	-1.23	-1.24	-1.12	-1.44	-1.32	V					8	1, 16	5, 6 11, 12	9
I _{EE}	Power Supply Current	-26		-29		-29		mA					8	1, 16	5, 6 11, 12	8
I _{IH}	Input Current High		95		165		165	μ A	4 - 7 10 - 13				8	1, 16		4 - 7 10 - 13
I _{CBO}	Input Leakage Current	-1.0		-1.0		-1.5		μ A					8	1, 16	4 - 7 10 - 13	4 - 7 10 - 13

** Connected to pin 9.

*** Measure voltage on pin 9 while it is connected to other pins.



Austin Semiconductor, Inc.

Quad Line Receiver
AS10515F16MIL

QUIESCENT LIMIT TABLE*

* ELECTRICAL CHARACTERISTICS

Each MECL 10K series circuit has been designed to meet the dc specifications shown in the test table, after thermal equilibrium has been established. The circuit is in a test socket or mounted on a printed circuit board and transverse air flow greater than 500 linear fpm is maintained. Outputs are terminated through a 100 Ω resistor to -2.0 volts.

Test Temperature	Test Voltage Values (Volts)								
	V _{IH1}	V _{IL1}	V _{IH2}	V _{IL2}	P _{S1}	P _{S2}	V _{EEL}	V _{EE}	V _{CB}
T _A = 25°C	-0.78	-1.85	-1.105	-1.475	+1.11	+0.31	-3.2	-5.2	-5.2
T _A = 125°C	-0.63	-1.82	-1.000	-1.400	+1.24	+0.36	-3.2	-5.2	-5.2
T _A = -55°C	-0.88	-1.92	-1.255	-1.510	+1.01	+0.28	-3.2	-5.2	-5.2

SYMBOL	PARAMETER	LIMITS						UNITS	TEST VOLTAGE APPLIED TO PINS BELOW:				
		+25°C		+125°C		-55°C			Pinouts referenced are for F package, check Pin Assignments V _{CC} = 2.0V, Output Load = 100 Ω to GND				
		Subgroup 9		Subgroup 10		Subgroup 11			V _{IN}	V _{OUT}	V _{CC}	V _{EEL}	P.U.T.
		MIN	MAX	MIN	MAX	MIN	MAX						
t _{TLH}	Rise Time	1.1	3.3	1.0	4.4	1.0	3.9	ns	4, 7, 11, 13	2, 3, 14, 15	1, 16	8	2, 3, 14, 15
t _{THL}	Fall Time	1.1	3.3	1.0	4.4	1.0	3.9	ns	4, 7, 11, 13	2, 3, 14, 15	1, 16	8	2, 3, 14, 15
t _{PHL}	Propagation Delay High to Low	1.0	2.9	1.0	4.0	1.0	3.5	ns	4, 7, 11, 13	2, 3, 14, 15	1, 16	8	2, 3, 14, 15
t _{PLH}	Propagation Delay Low to High	1.0	2.90	1.0	4.0	1.0	3.5	ns	4, 7, 11, 13	2, 3, 14, 15	1, 16	8	2, 3, 14, 15