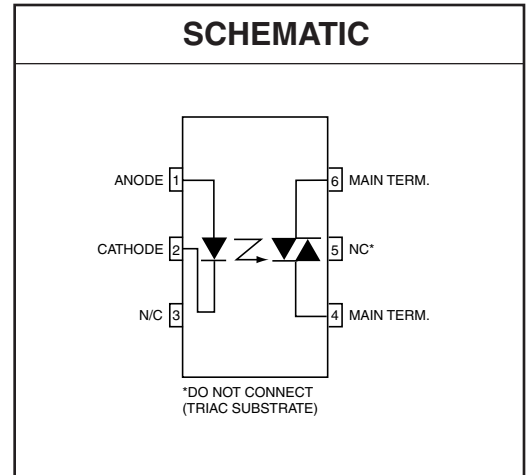
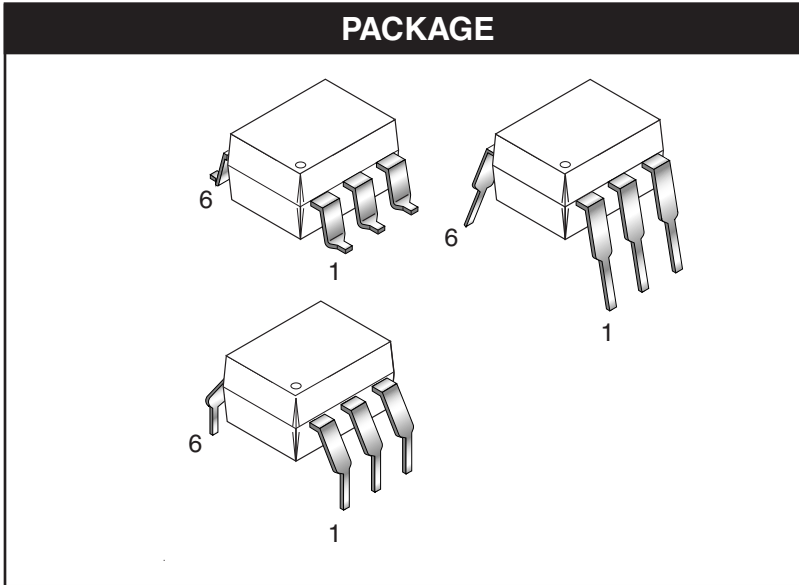


MOC3010M MOC3011M MOC3012M MOC3020M MOC3021M MOC3022M MOC3023M



## DESCRIPTION

The MOC301XM and MOC302XM series are optically isolated triac driver devices. These devices contain a GaAs infrared emitting diode and a light activated silicon bilateral switch, which functions like a triac. They are designed for interfacing between electronic controls and power triacs to control resistive and inductive loads for 115 VAC operations.

## FEATURES

- Excellent  $I_{FT}$  stability—IR emitting diode has low degradation
- High isolation voltage—minimum 5300 VAC RMS
- Underwriters Laboratory (UL) recognized—File #E90700
- Peak blocking voltage
  - 250V-MOC301XM
  - 400V-MOC302XM
- VDE recognized (File #94766)
  - Ordering option V (e.g. MOC3023VM)

## APPLICATIONS

- Industrial controls
- Traffic lights
- Vending machines
- Solid state relay
- Lamp ballasts
- Solenoid/valve controls
- Static AC power switch
- Incandescent lamp dimmers
- Motor control

**MOC3010M MOC3011M MOC3012M MOC3020M MOC3021M MOC3022M MOC3023M**

<b>ABSOLUTE MAXIMUM RATINGS</b> ( $T_A = 25^\circ\text{C}$ unless otherwise noted)				
Parameters	Symbol	Device	Value	Units
<b>TOTAL DEVICE</b>				
Storage Temperature	$T_{\text{STG}}$	All	-40 to +150	$^\circ\text{C}$
Operating Temperature	$T_{\text{OPR}}$	All	-40 to +85	$^\circ\text{C}$
Lead Solder Temperature	$T_{\text{SOL}}$	All	260 for 10 sec	$^\circ\text{C}$
Junction Temperature Range	$T_J$	All	-40 to +100	$^\circ\text{C}$
Isolation Surge Voltage <sup>(1)</sup> (peak AC voltage, 60Hz, 1 sec duration)	$V_{\text{ISO}}$	All	7500	Vac(pk)
Total Device Power Dissipation @ 25 $^\circ\text{C}$ Derate above 25 $^\circ\text{C}$	$P_D$	All	330 4.4	mW mW/ $^\circ\text{C}$
<b>EMITTER</b>				
Continuous Forward Current	$I_F$	All	60	mA
Reverse Voltage	$V_R$	All	3	V
Total Power Dissipation 25 $^\circ\text{C}$ Ambient Derate above 25 $^\circ\text{C}$	$P_D$	All	100 1.33	mW mW/ $^\circ\text{C}$
<b>DETECTOR</b>				
Off-State Output Terminal Voltage	$V_{\text{DRM}}$	MOC3010M/1M/2M MOC3020M/1M/2M/3M	250 400	V
Peak Repetitive Surge Current (PW = 1 ms, 120 pps)	$I_{\text{TSM}}$	All	1	A
Total Power Dissipation @ 25 $^\circ\text{C}$ Ambient Derate above 25 $^\circ\text{C}$	$P_D$	All	300 4	mW mW/ $^\circ\text{C}$

**Note**

1. Isolation surge voltage,  $V_{\text{ISO}}$ , is an internal device dielectric breakdown rating. For this test, Pins 1 and 2 are common, and Pins 4, 5 and 6 are common.

MOC3010M MOC3011M MOC3012M MOC3020M MOC3021M MOC3022M MOC3023M

**ELECTRICAL CHARACTERISTICS** ( $T_A = 25^\circ\text{C}$  Unless otherwise specified)

**INDIVIDUAL COMPONENT CHARACTERISTICS**

Parameters	Test Conditions	Symbol	Device	Min	Typ	Max	Units
<b>EMITTER</b>							
Input Forward Voltage	$I_F = 10\text{ mA}$	$V_F$	All		1.15	1.5	V
Reverse Leakage Current	$V_R = 3\text{ V}, T_A = 25^\circ\text{C}$	$I_R$	All		0.01	100	$\mu\text{A}$
<b>DETECTOR</b>							
Peak Blocking Current, Either Direction	Rated $V_{\text{DRM}}, I_F = 0$ (note 1)	$I_{\text{DRM}}$	All		10	100	nA
Peak On-State Voltage, Either Direction	$I_{\text{TM}} = 100\text{ mA peak}, I_F = 0$	$V_{\text{TM}}$	All		1.8	3	V

**TRANSFER CHARACTERISTICS** ( $T_A = 25^\circ\text{C}$  Unless otherwise specified.)

DC Characteristics	Test Conditions	Symbol	Device	Min	Typ	Max	Units
LED Trigger Current	Voltage = 3V (note 3)	$I_{\text{FT}}$	MOC3020M			30	mA
			MOC3010M			15	
			MOC3021M				
			MOC3011M			10	
			MOC3022M				
			MOC3012M			5	
			MOC3023M				
Holding Current, Either Direction		$I_H$	All		100		$\mu\text{A}$

**Note**

1. Test voltage must be applied within dv/dt rating.
2. This is static dv/dt. See Figure 5 for test circuit. Commutating dv/dt is a function of the load-driving thyristor(s) only.
3. All devices are guaranteed to trigger at an  $I_F$  value less than or equal to max  $I_{\text{FT}}$ . Therefore, recommended operating  $I_F$  lies between max  $I_{\text{FT}}$  (30 mA for MOC3020M, 15 mA for MOC3010M and MOC3021M, 10 mA for MOC3011M and MOC3022M, 5 mA for MOC3012M and MOC3023M) and absolute max  $I_F$  (60 mA).

MOC3010M MOC3011M MOC3012M MOC3020M MOC3021M MOC3022M MOC3023M

Fig. 1 LED Forward Voltage vs. Forward Current

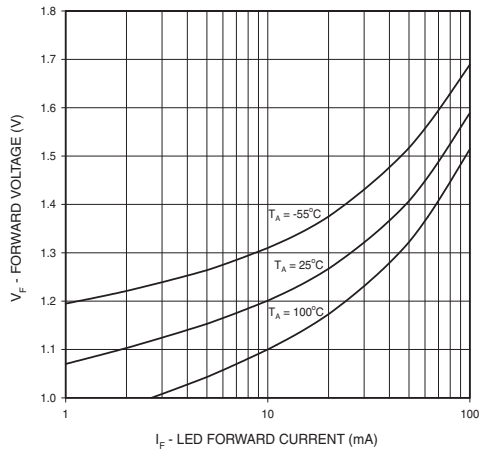


Fig. 2 On-State Characteristics

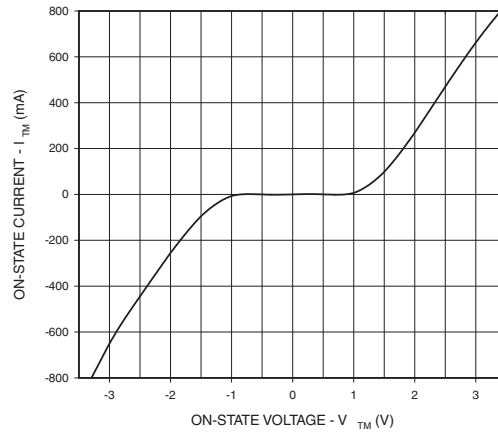


Fig. 3 Trigger Current vs. Ambient Temperature

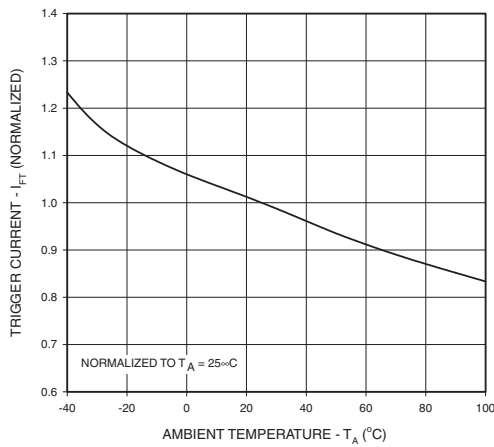


Fig. 4 LED Current Required to Trigger vs. LED Pulse Width

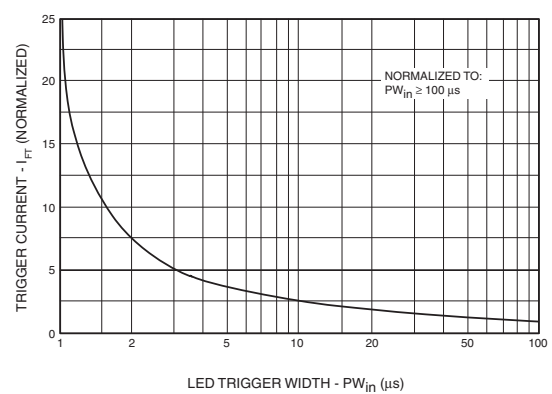


Fig. 5 dv/dt vs. Temperature

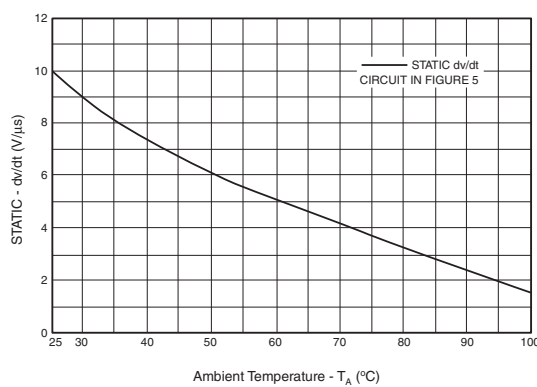
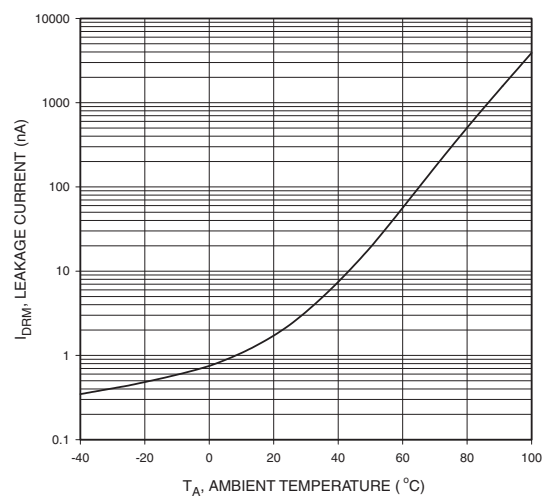
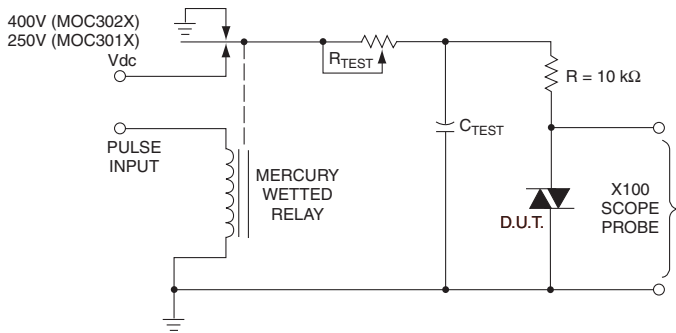


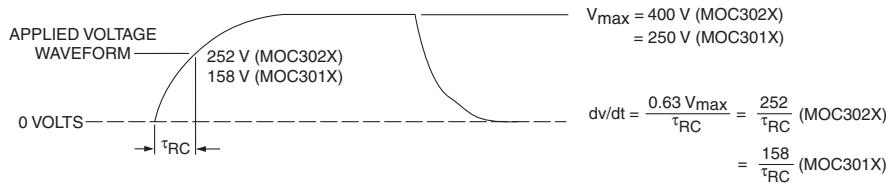
Fig. 6 Leakage Current,  $I_{DRM}$  vs. Temperature



**MOC3010M MOC3011M MOC3012M MOC3020M MOC3021M MOC3022M MOC3023M**

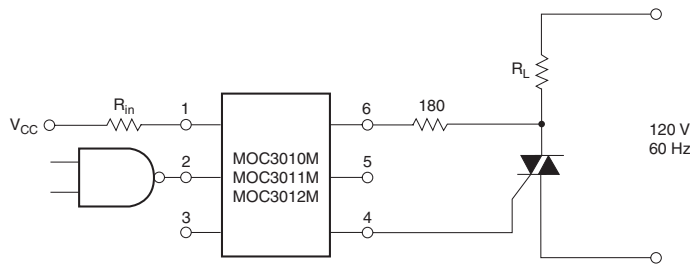


1. The mercury wetted relay provides a high speed repeated pulse to the D.U.T.
2. 100x scope probes are used, to allow high speeds and voltages.
3. The worst-case condition for static dv/dt is established by triggering the D.U.T. with a normal LED input current, then removing the current. The variable  $R_{TEST}$  allows the dv/dt to be gradually increased until the D.U.T. continues to trigger in response to the applied voltage pulse, even after the LED current has been removed. The dv/dt is then decreased until the D.U.T. stops triggering.  $\tau_{RC}$  is measured at this point and recorded.

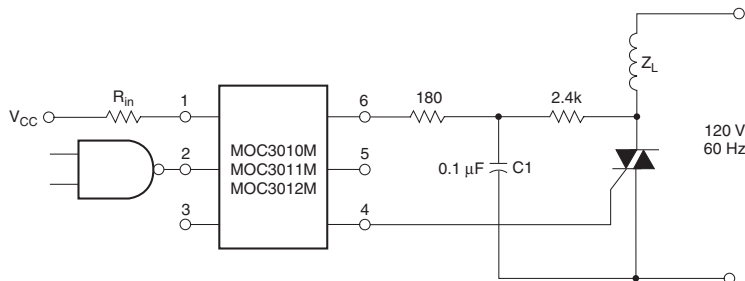


**Figure 5. Static dv/dt Test Circuit**

Note: This optoisolator should not be used to drive a load directly. It is intended to be a trigger device only.

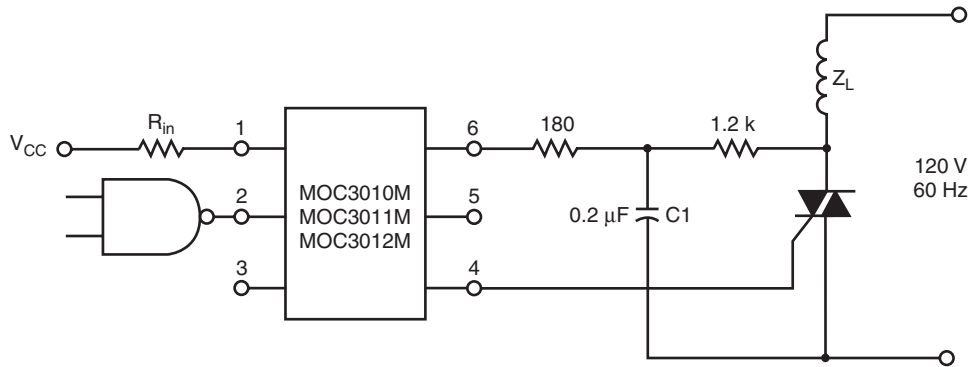


**Figure 6. Resistive Load**

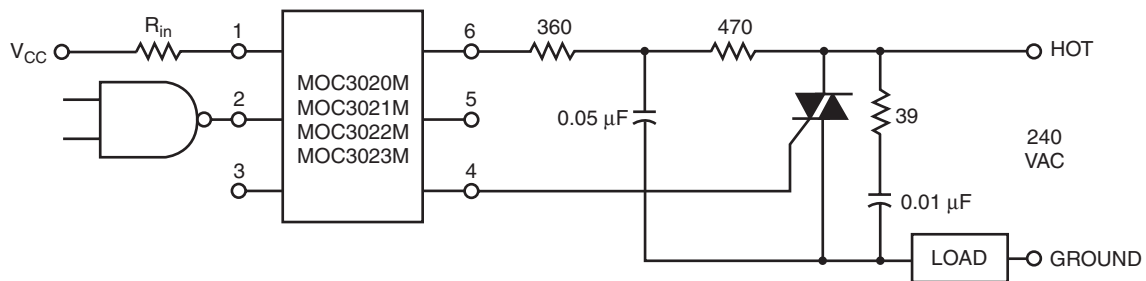


**Figure 7. Inductive Load with Sensitive Gate Triac ( $I_{GT} \leq 15 \text{ mA}$ )**

MOC3010M MOC3011M MOC3012M MOC3020M MOC3021M MOC3022M MOC3023M



**Figure 8. Inductive Load with Sensitive Gate Triac ( $I_{GT} \leq 15 \text{ mA}$ )**



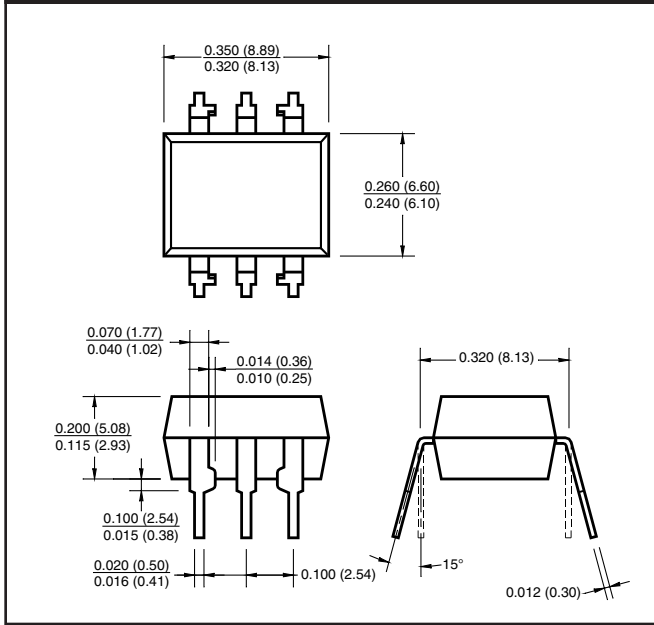
In this circuit the "hot" side of the line is switched and the load connected to the cold or ground side.

The 39 ohm resistor and 0.01  $\mu\text{F}$  capacitor are for snubbing of the triac, and the 470 ohm resistor and 0.05  $\mu\text{F}$  capacitor are for snubbing the coupler. These components may or may not be necessary depending upon the particular and load used.

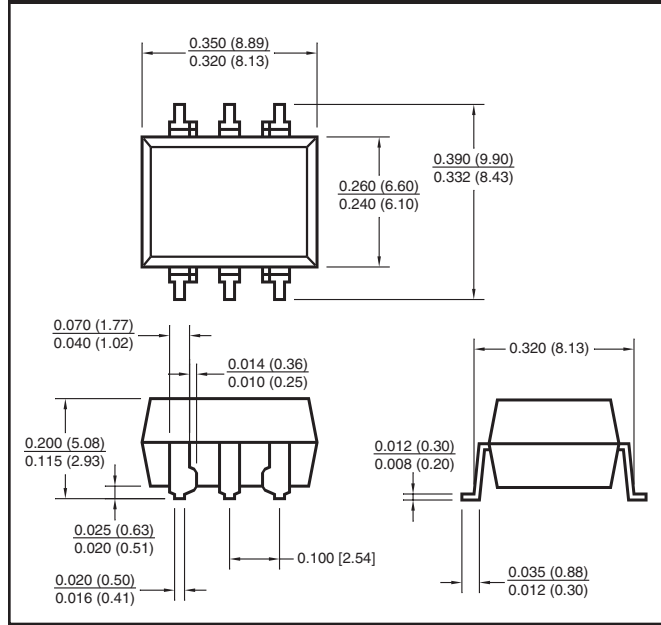
**Figure 9. Typical Application Circuit**

MOC3010M MOC3011M MOC3012M MOC3020M MOC3021M MOC3022M MOC3023M

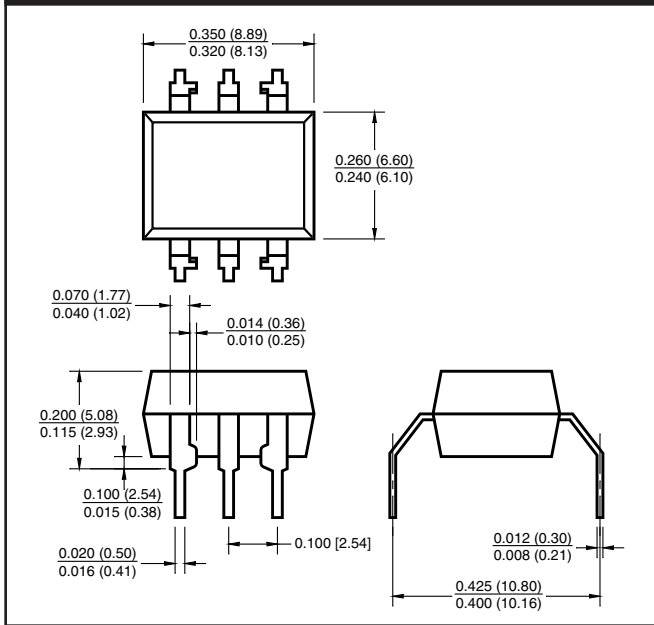
**Package Dimensions (Through Hole)**



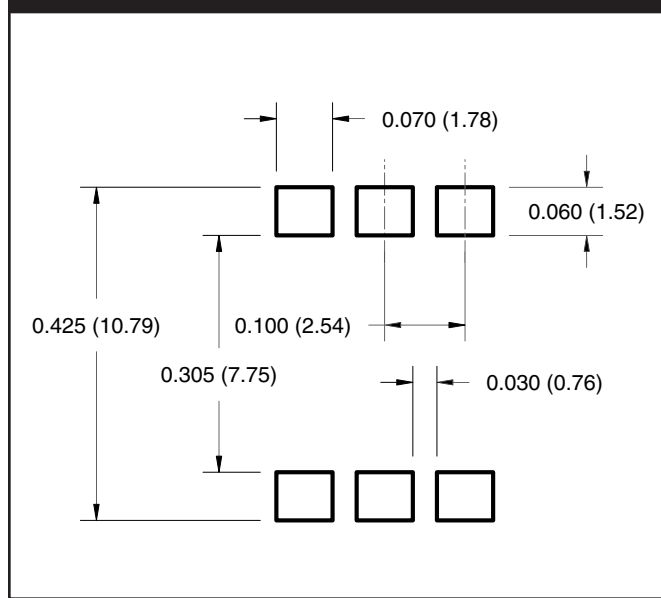
**Package Dimensions (Surface Mount)**



**Package Dimensions (0.4" Lead Spacing)**



**Recommended Pad Layout for  
Surface Mount Leadform**



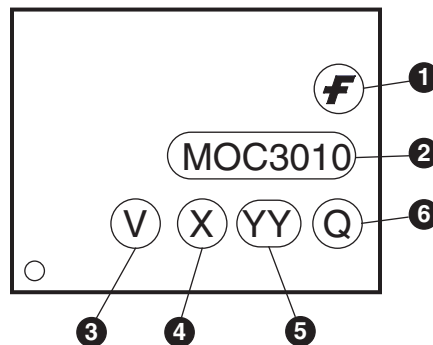
**NOTE**  
All dimensions are in inches (millimeters)

MOC3010M MOC3011M MOC3012M MOC3020M MOC3021M MOC3022M MOC3023M

**ORDERING INFORMATION**

Option	Order Entry Identifier	Description
S	S	Surface Mount Lead Bend
SR2	SR2	Surface Mount; Tape and reel
T	T	0.4" Lead Spacing
V	V	VDE 0884
TV	TV	VDE 0884, 0.4" Lead Spacing
SV	SV	VDE 0884, Surface Mount
SR2V	SR2V	VDE 0884, Surface Mount, Tape & Reel

**MARKING INFORMATION**



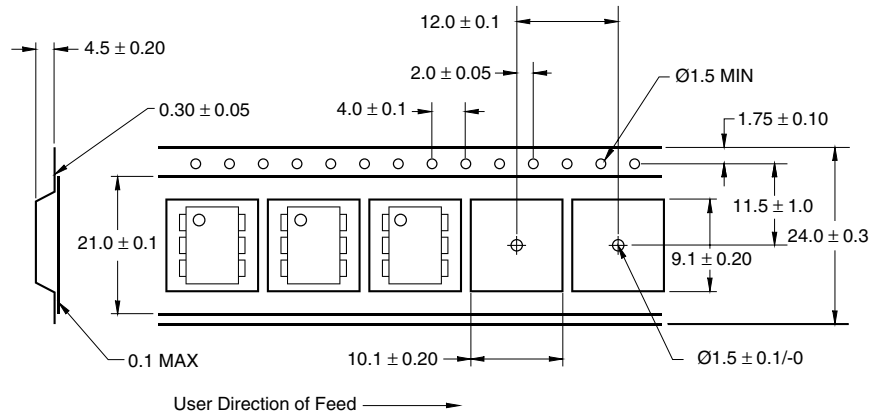
Definitions	
1	Fairchild logo
2	Device number
3	VDE mark (Note: Only appears on parts ordered with VDE option – See order entry table)
4	One digit year code, e.g., '3'
5	Two digit work week ranging from '01' to '53'
6	Assembly package code

\*Note – Parts that do not have the 'V' option (see definition 3 above) that are marked with date code '325' or earlier are marked in portrait format.



MOC3010M MOC3011M MOC3012M MOC3020M MOC3021M MOC3022M MOC3023M

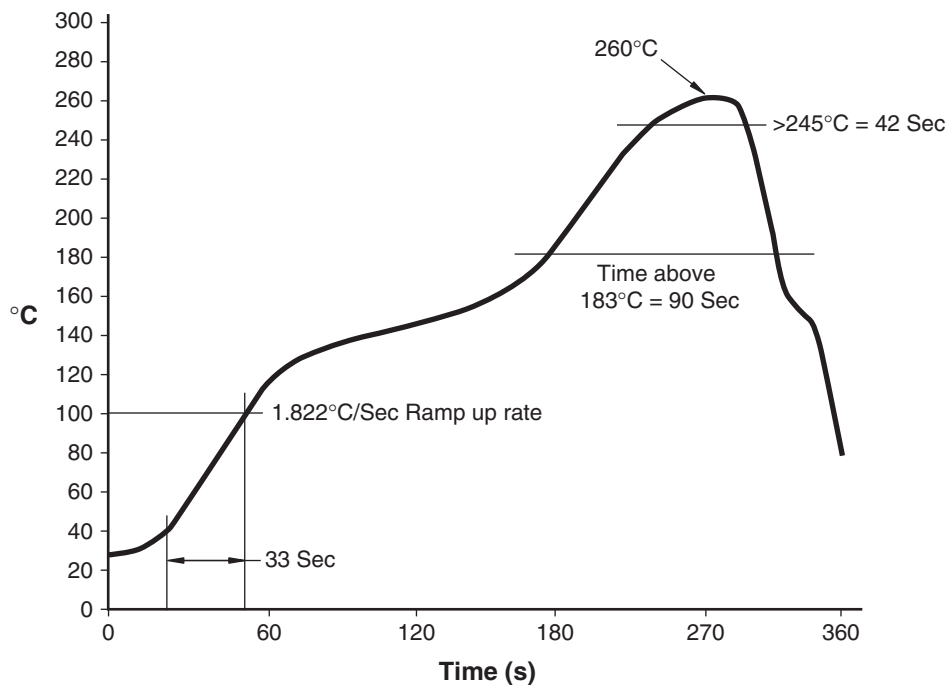
**Carrier Tape Specifications**



**NOTE**

All dimensions are in inches (millimeters)

**Reflow Profile (White Package, -M Suffix)**



---

**MOC3010M MOC3011M MOC3012M MOC3020M MOC3021M MOC3022M MOC3023M**

---

**DISCLAIMER**

FAIRCHILD SEMICONDUCTOR RESERVES THE RIGHT TO MAKE CHANGES WITHOUT FURTHER NOTICE TO ANY PRODUCTS HEREIN TO IMPROVE RELIABILITY, FUNCTION OR DESIGN. FAIRCHILD DOES NOT ASSUME ANY LIABILITY ARISING OUT OF THE APPLICATION OR USE OF ANY PRODUCT OR CIRCUIT DESCRIBED HEREIN; NEITHER DOES IT CONVEY ANY LICENSE UNDER ITS PATENT RIGHTS, NOR THE RIGHTS OF OTHERS.

**LIFE SUPPORT POLICY**

FAIRCHILD'S PRODUCTS ARE NOT AUTHORIZED FOR USE AS CRITICAL COMPONENTS IN LIFE SUPPORT DEVICES OR SYSTEMS WITHOUT THE EXPRESS WRITTEN APPROVAL OF THE PRESIDENT OF FAIRCHILD SEMICONDUCTOR CORPORATION. As used herein:

1. Life support devices or systems are devices or systems which, (a) are intended for surgical implant into the body, or (b) support or sustain life, and (c) whose failure to perform when properly used in accordance with instructions for use provided in the labeling, can be reasonably expected to result in a significant injury of the user.
2. A critical component in any component of a life support device or system whose failure to perform can be reasonably expected to cause the failure of the life support device or system, or to affect its safety or effectiveness.