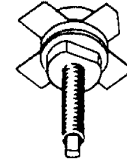


MS1279

**RF & MICROWAVE TRANSISTORS
TV/LINEAR APPLICATIONS**

Features

- 170- 230 MHz
- 25 VOLTS
- P_{OUT} = 20 WATTS
- G_p = 8.0 dB GAIN MINIMUM
- GOLD METALLIZATION
- INTERNAL INPUT MATCHING
- COMMON EMITTER CONFIGURATION

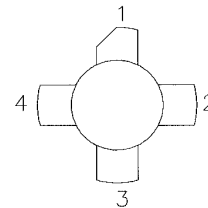


.500 4L STUD (M130)
epoxy sealed

DESCRIPTION:

The MS1279 is a gold metallized epitaxial silicon NPN planar transistor using diffused emitter ballast resistors for high linearity Class AB operation in VHF and Band III television transmitters and transposers.

PIN CONNECTION



1. Collector 3. Base
2. Emitter 4. Emitter

ABSOLUTE MAXIMUM RATINGS (T_{case} = 25°C)

Symbol	Parameter	Value	Unit
V _{CEO}	Collector-Emitter Voltage	35	V
V _{CES}	Collector-Emitter Voltage	60	V
V _{EBO}	Emitter-Base Voltage	4.0	V
I _C	Device Current	8.0	A
P _{DISS}	Power Dissipation	140	W
T _J	Junction Temperature	+200	°C
T _{STG}	Storage Temperature	-65 to +150	°C

Thermal Data

R _{TH(J-C)}	Thermal Resistance Junction-case	1.5	°C/W
----------------------	----------------------------------	-----	------

ELECTRICAL SPECIFICATIONS (Tcase = 25°C)

STATIC

Symbol	Test Conditions		Value			Unit
			Min.	Typ.	Max.	
BV_{CBO}	I_C = 50mA	I_E = 0mA	65	---	---	V
BV_{CER}	I_C = 50mA	R_{BE} = 10Ω	60	---	---	V
BV_{CEO}	I_C = 50mA	I_B = 0mA	35	---	---	V
BV_{EBO}	I_E = 10mA	I_C = 0mA	4.0	---	---	V
I_{CES}	V_{CE} = 50V	I_E = 0mA	---	---	5	mA
HFE	V_{CE} = 5V	I_C = 1A	20	---	120	---

DYNAMIC

Symbol	Test Conditions			Value			Unit
				Min.	Typ.	Max.	
P_{OUT}	f = 225 MHz	V_{CE} = 25 W	I_C = 2.5 mA	20	---	---	W
G_P	f = 225 MHz	V_{CE} = 25 W	I_C = 2.5 mA	8.0	---	---	dB
IMD₃	P_{OUT} = 14W	V_{CE} = 25 W	I_C = 2.5 mA	---	-55	---	dBc
C_{OB}	f = 1 MHz	V_{CB} = 30 V		---	---	85	pF

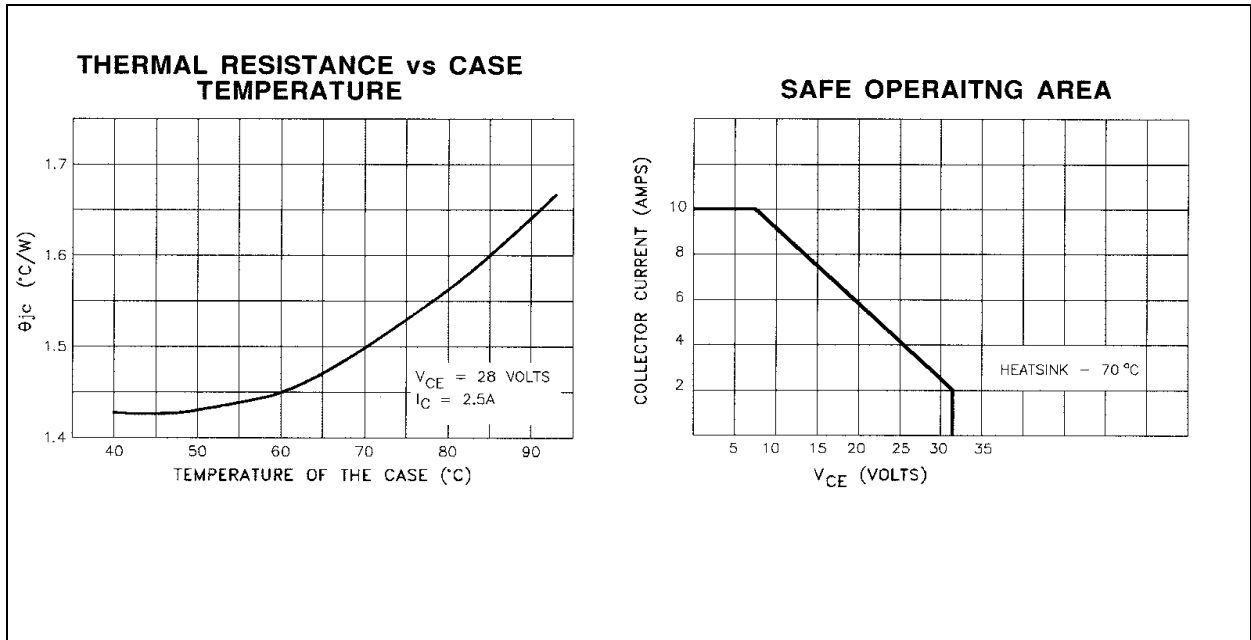
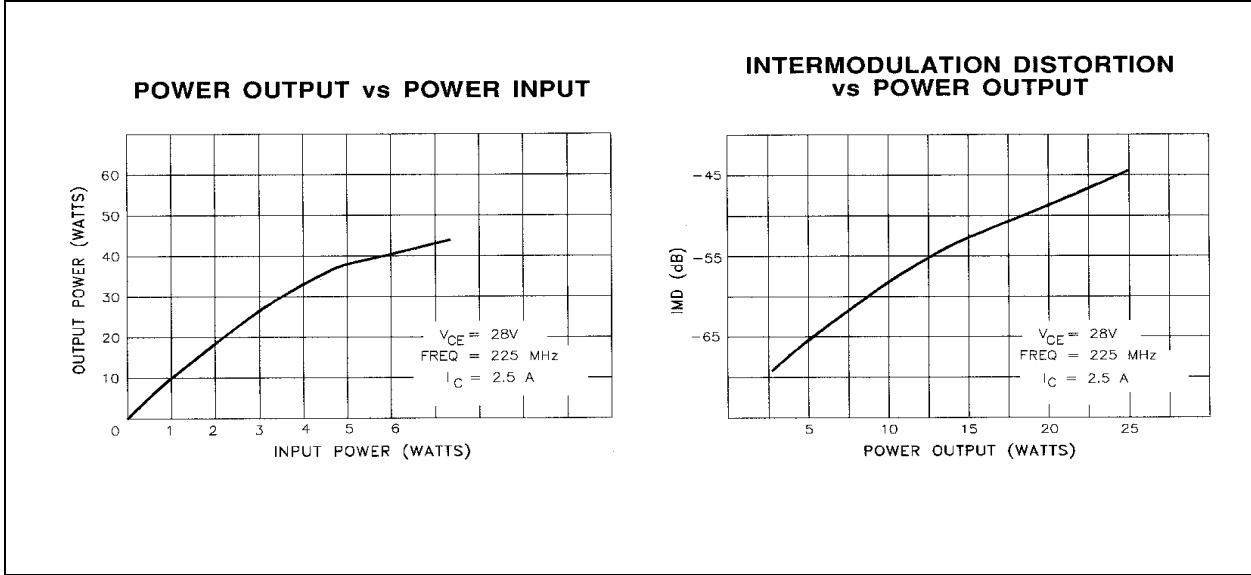
Note: * dB compression

IMPEDANCE DATA

FREQ	Z _{IN} (Ω)	Z _{CL} (Ω)
150 MHz	1.0 + j1.0	9.0 + j5.0
250 MHz	1.0 + j2.0	6.0 + j6.0

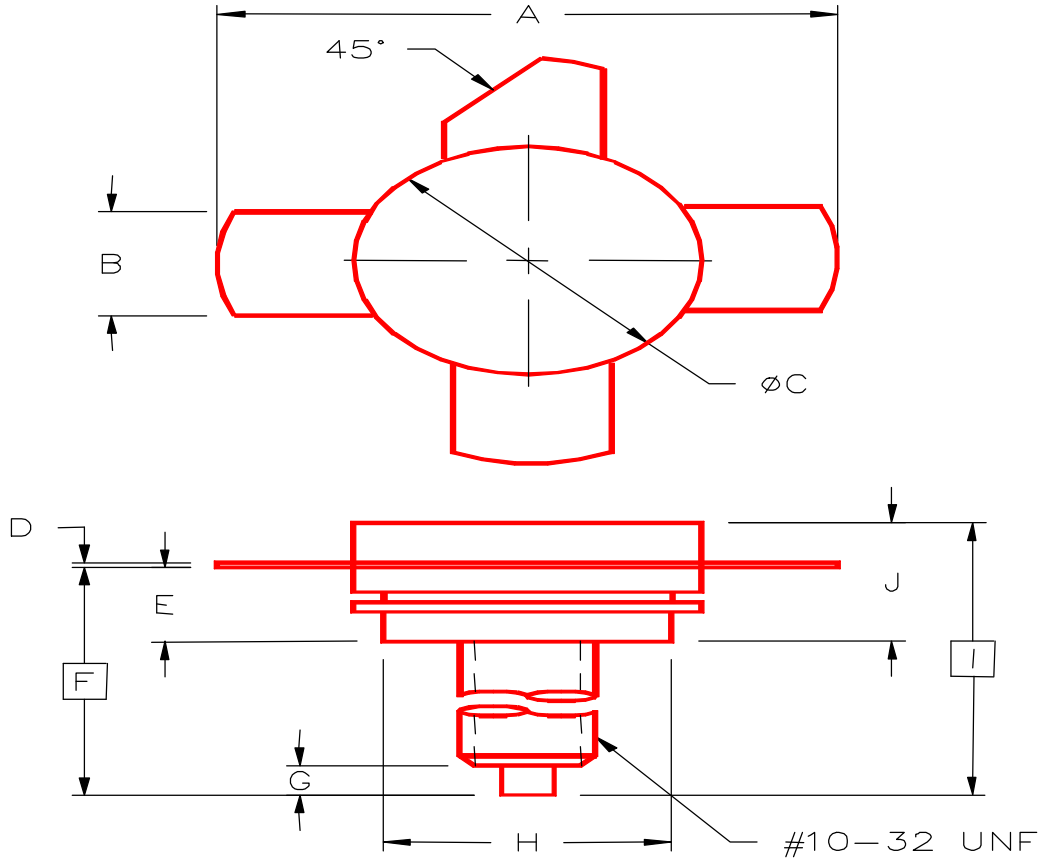
V_{CE} = 28V
I_C = 2.5A
P_{OUT} = 20W

TYPICAL PERFORMANCE



PACKAGE MECHANICAL DATA

PACKAGE STYLE M130



	MINIMUM INCHES/MM	MAXIMUM INCHES/MM		MINIMUM INCHES/MM	MAXIMUM INCHES/MM
A	1.010/25,65	1.050/26,67	I	.720/18,29	
B	.220/5,59	.230/5,84	J	.250/6,35	.290/7,37
C	.495/12,57	.505/12,83			
D	.003/0,08	.007/0,18			
E	.160/4,06	.180/4,57			
F	.622/15,80				
G	.100/2,54	.130/3,31			
H	.415/10,54	.425/10,80			