



DESCRIPTION

PT2318 is a sound fader controller IC utilizing CMOS Technology specially designed for car radio hi-fi audio applications. Four selectable stereo inputs, 1 mono input, bass, treble, volume, balance and fader controls, mute function and a special loudness feature which is automatically controlled in combination with the volume level setting are all built into a single I²C bus controlled stereo preamplifier chip having the highest performance and reliability. Pin assignments and application circuits are optimized for easy PCB layout and cost saving advantages.

FEATURES

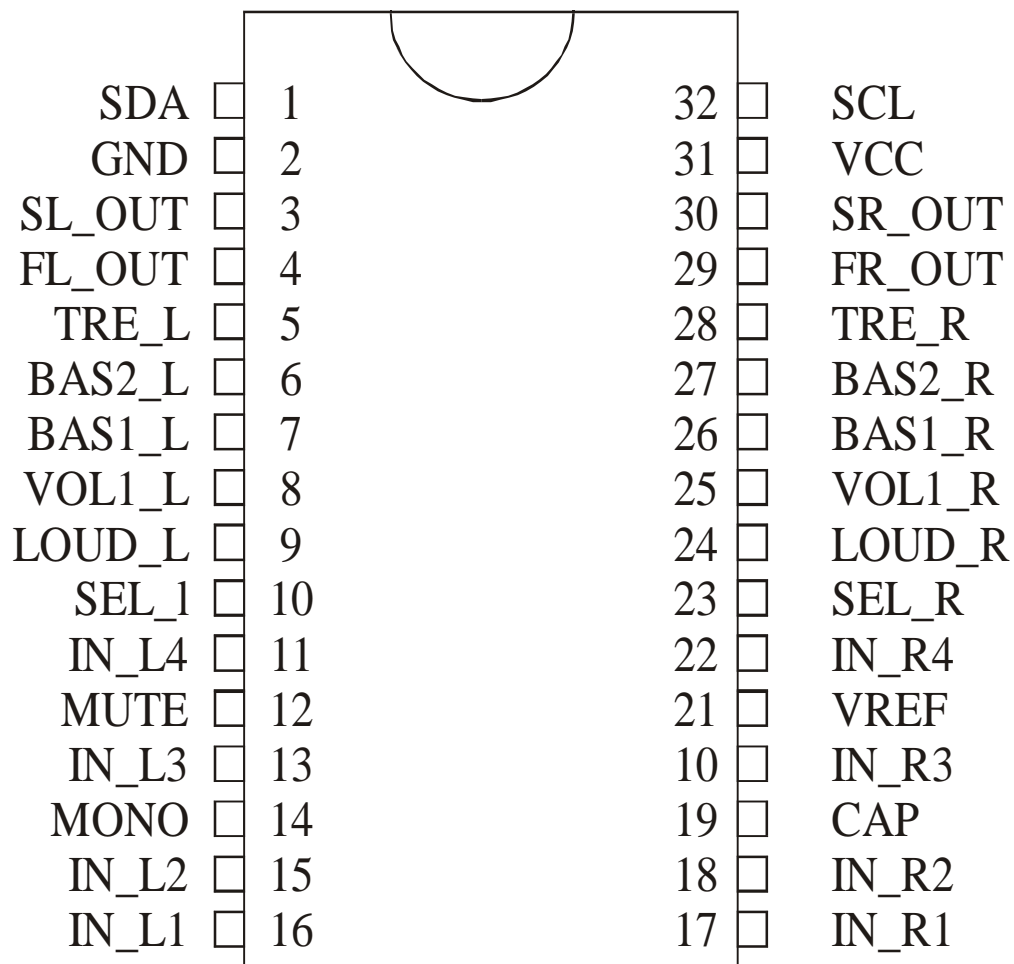
- CMOS Technology
- I²C Bus Control Interface
- 4 Selectable Stereo Inputs
- 1 Mono Input
- Volume, Balance and Fader Controls
- Bass & Treble Controls
- Noise Reduction Circuit Interface provided
- External Equalizer Interface provided
- Mute Control at Audio Signal Zero Crossing
- Internal Power-On Reset Function
- Mute Function controlled via the I²C Bus or Pin
- Special Automatic Loudness Feature in combination with the Volume Setting

APPLICATIONS

- Car Audio
- Hi-Fi Audio Applications

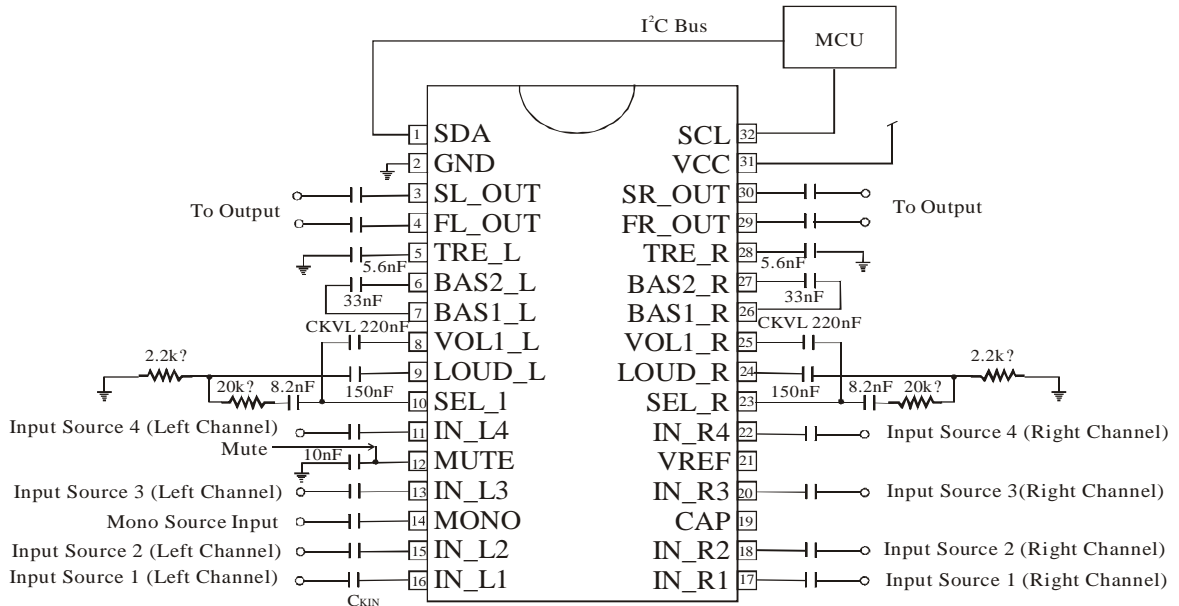


PIN CONFIGURATION





APPLICATION CIRCUIT



ORDER INFORMATION

Valid Partnumber	Package Type
PT2318	32-pins, SOP Package (300 mil)