

10BASE-T NETWORK COMPONENTS

960053A

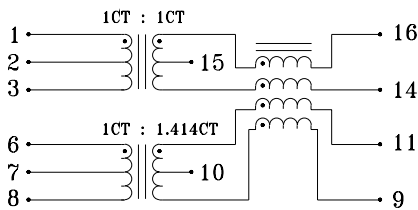
- Designed for use with Texas Instruments' Quad PHY TNETE 2004 (Thunder LAN) 10Base-T transceiver
- Single or dual port, surface mount designs available with or without common mode choke
- Surface mount packaging rated to withstand 225°C peak IR reflow temperature
- 2000 Vrms isolation

ELECTRICALS AT 25°C

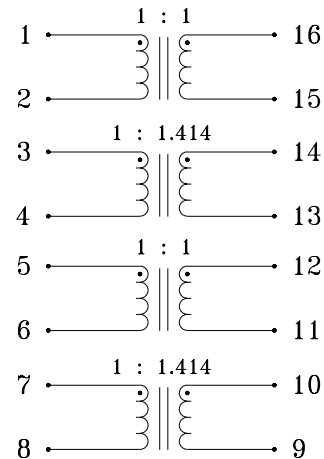
Part No.	Insertion Loss	OCL (μ H) Min	Return Loss (dB) Min 1-10MHz	Crosstalk (dB) Min 1MHz-10MHz	CM-CM Rej (dB) Min		Schematic
	(dB) Max 1-10MHz				10-30MHz	30-100MHz	
S553-5999-37	-1.0	200	-15	-40	-40	-30	A
S553-5999-63	-1.0	100	-18	-40	--	--	B

SCHEMATICS

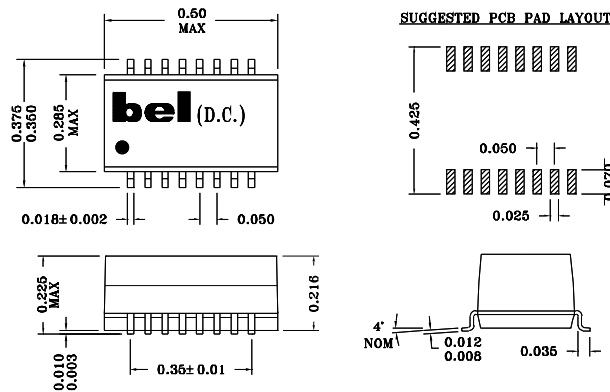
A



B



MECHANICAL

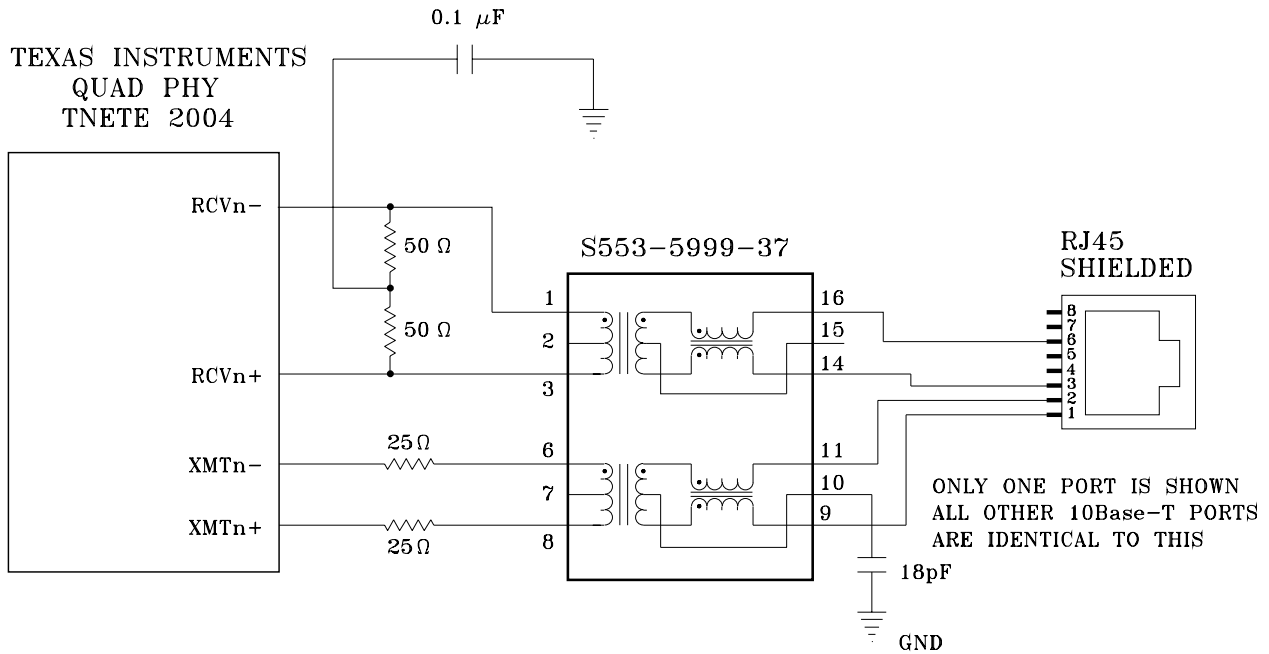


Specifications subject to change without notice.

10BASE-T NETWORK COMPONENTS

960053A

APPLICATION CIRCUIT



APPLICATION NOTES

- All designs meet IEEE 802.3 standards.
- Additional common mode chokes are available in separate packaging.
- Quad designs with integrated transmit and receive transformers, with or without common mode chokes, are available.
- Bel's low profile, surface mount packaging is ideal for high speed pick and place machinery. Parts can be shipped on tape and reel for high speed placement. Construction processes have been implemented for thermal compatibility with high temperature IR reflow assembly processing. Post dipping of leads assist with PC board solderability. Each part is optically inspected to meet rigid coplanarity requirements.

Corporate Office

Bel Fuse Inc.
198 Van Vorst Street, Jersey City, NJ 07302-4496
Tel: 201-432-0463
Fax: 201-432-9542
E-Mail: BelFuse@belfuse.com
Internet: <http://www.belfuse.com>

Far East Office

Bel Fuse Ltd.
8F/8 Luk Hop Street
San Po Kong
Kowloon, Hong Kong
Tel: 852-2328-5515
Fax: 852-2352-3706

European Office

Bel Fuse Europe Ltd.
Preston Technology Management Centre
Marsh Lane, Preston PR1 8UD
Lancashire, U.K.
Tel: 44-1772-556601
Fax: 44-1772-888366