

# 10BASE-T NETWORK COMPONENTS

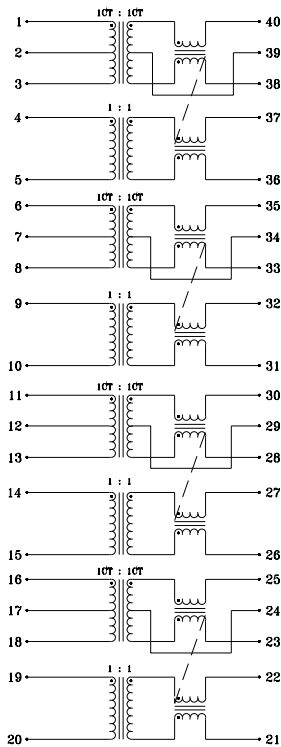
- Designed for use with AMD's eIMR (79C984A), eIMR+ (79C985) and IMR2 (79C983)/QuLET (79C988) chipsets
- Filterless quad, 4-port designs with common footprints and pinouts offering choice of configurations for customized EMI suppression
- Best per port space and cost efficiency
- Low profile, surface mount packaging, rated to 225°C peak IR reflow temperature
- 2000 Vrms isolation

## ELECTRICALS AT 25°C

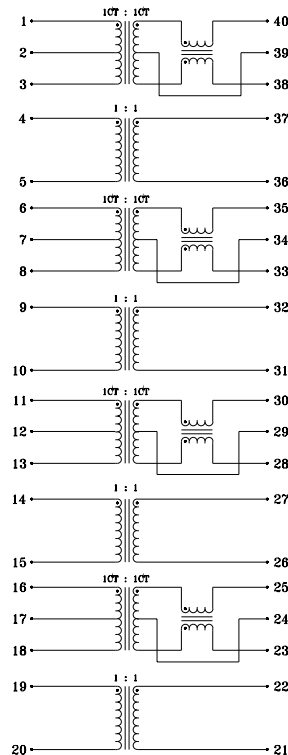
Part No.	Insertion Loss	Return Loss	Crosstalk	CM-CM Rej		Schematic
	(dB) Max 1-10MHz	(dB) Min 5MHz-10MHz	(dB) Min 1MHz-10MHz	(dB) Min 10-30MHz	(dB) Min 100MHz	
S553-5999-35	-1.0	-18	-40	-40	-30	A
S553-5999-76	-1.0	-18	-40	-40	-30	B
S553-5999-77	-1.0	-18	-40	N/A	N/A	C

## SCHEMATICS

A



B



### Corporate Office

**Bel Fuse Inc.**  
 198 Van Vorst Street, Jersey City, NJ 07302-4496  
 Tel: 201-432-0463  
 Fax: 201-432-9542  
 E-Mail: [BelFuse@belfuse.com](mailto:BelFuse@belfuse.com)  
 Internet: <http://www.belfuse.com>

### Far East Office

**Bel Fuse Ltd.**  
 8F/8 Luk Hop Street  
 San Po Kong  
 Kowloon, Hong Kong  
 Tel: 852-2328-5515  
 Fax: 852-2352-3706

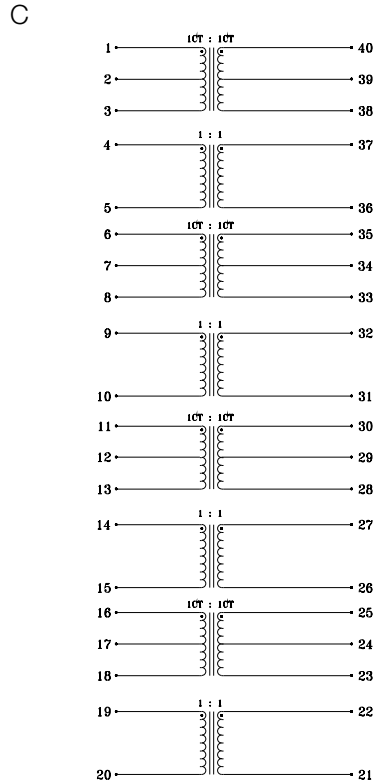
### European Office

**Bel Fuse Europe Ltd.**  
 Preston Technology Management Centre  
 Marsh Lane, Preston PR1 8UD  
 Lancashire, U.K.  
 Tel: 44-1772-556601  
 Fax: 44-1772-888366

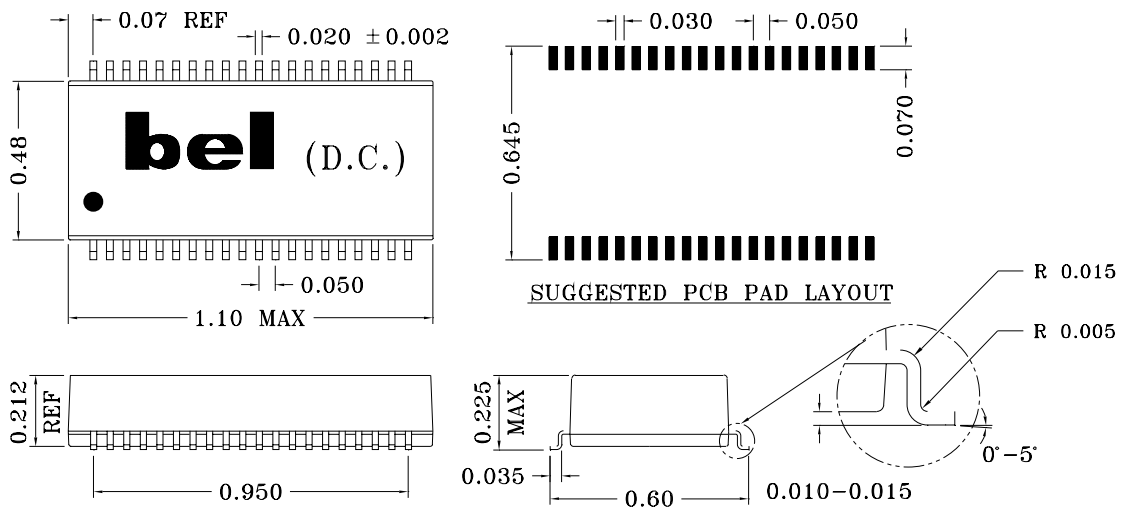
## 10BASE-T NETWORK COMPONENTS

960065A

### SCHEMATICS (CONT'D)



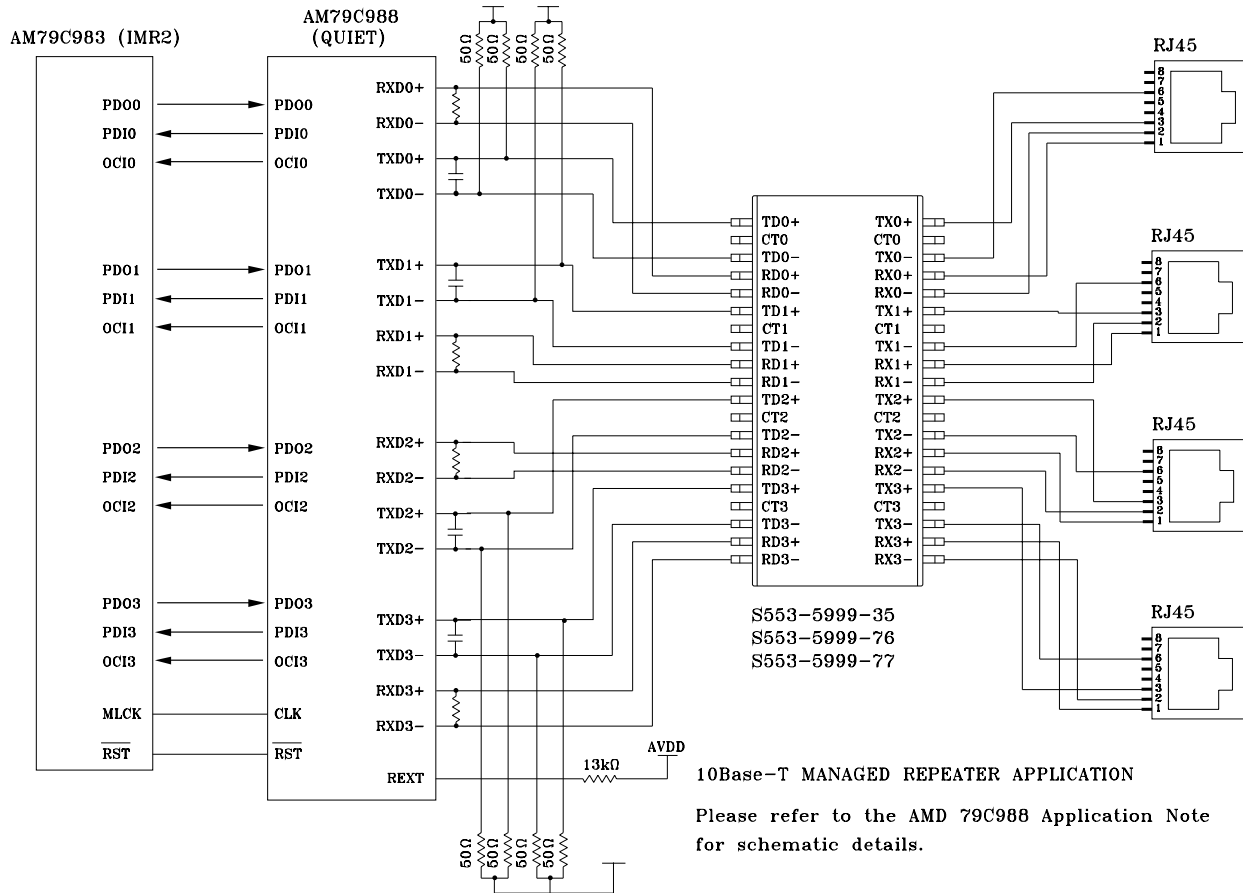
### MECHANICAL



Specifications subject to change without notice.

# 10BASE-T NETWORK COMPONENTS

## APPLICATION CIRCUIT



Specifications subject to change without notice.



defining a degree of excellence

## 10BASE-T NETWORK COMPONENTS

960065A

### APPLICATION NOTES

---

- Bel has developed a variety of quad, 4-port part types for use with AMD quad, 4-port PHY devices that incorporate digital filtering techniques within the silicon itself. Bel's "filterless magnetics" are optimized for this specific application and create a very cost efficient design solution. Each Bel part type contains 4 channels of transmit and receive transformers to provide for wave shaping, high voltage isolation and EMI noise suppression.
- Bel has designed these parts as a family of parts with common footprint and pinouts to enable the designer to customize the use of common mode choke for optimum system performance.
- In multi-port system applications, good PCB layout and proper grounding techniques are very critical to achieve FCC class A and B equipment approvals. Bel recommendations are available and can be provided by contacting our engineering department or your local sales representative.
- Bel's low profile, surface mount packaging is ideal for high speed pick and place machinery. Parts can be shipped on tape and reel for high speed placement. Construction processes have been implemented for thermal compatibility with high temperature IR reflow assembly processing. Post dipping of leads assist with PC board solderability. Each part is optically inspected to meet rigid coplanarity requirements.

---

#### *Corporate Office*

**Bel Fuse Inc.**

198 Van Vorst Street, Jersey City, NJ 07302-4496

Tel: 201-432-0463

Fax: 201-432-9542

E-Mail: [BelFuse@belfuse.com](mailto:BelFuse@belfuse.com)

Internet: <http://www.belfuse.com>

#### *Far East Office*

**Bel Fuse Ltd.**

8F/8 Luk Hop Street

San Po Kong

Kowloon, Hong Kong

Tel: 852-2328-5515

Fax: 852-2352-3706

#### *European Office*

**Bel Fuse Europe Ltd.**

Preston Technology Management Centre

Marsh Lane, Preston PR1 8UD

Lancashire, U.K.

Tel: 44-1772-556601

Fax: 44-1772-888366