

TOKEN RING/FIBER APPLICATION FILTER MODULE

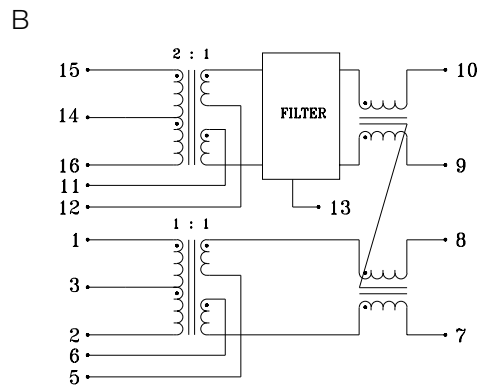
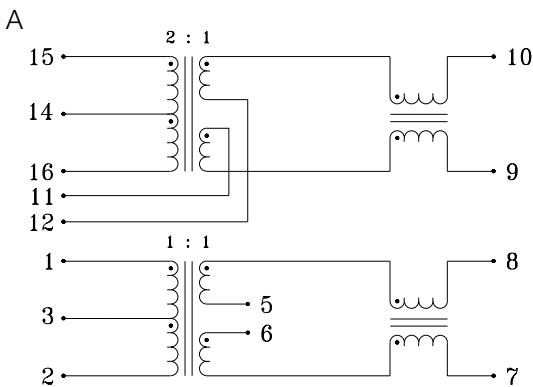
960037A

- Designed for use with Microlinear ML6680 Token Ring to Fiber chipset
- Available with additional differential filtering
- Robust surface mount packaging, rated for 225°C peak IR reflow temperature
- 100 ohms UTP output impedance
- 2000 Vrms isolation

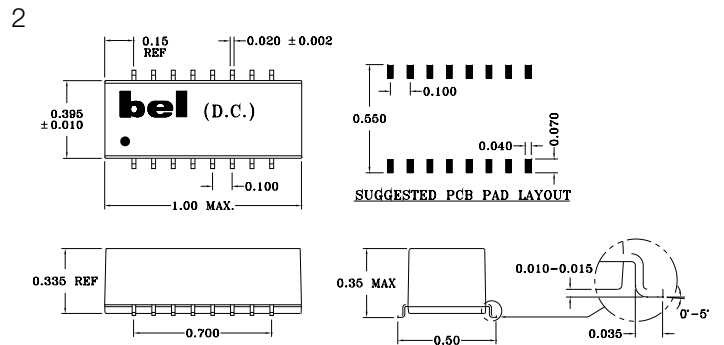
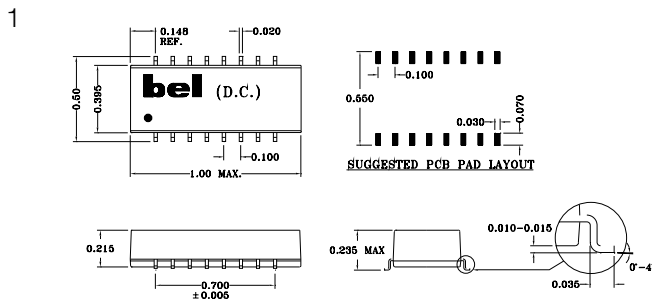
ELECTRICALS AT 25°C

Part No.	OCL (μ H) Min	Insertion Loss (dB Max)			Attenuation (dB) Min 30MHz	Return Loss (dB) Min		Common to Common Mode Rej (dB) Typ			Crosstalk (dB) Min			Schematic	Package Style
		8MHz	16MHz	24MHz		1-17MHz	17-25MHz	5MHz	20MHz	200MHz	5MHz	16MHz	24MHz		
S553-2793-03	1100	-0.8	-1.0	-1.8	N/A	-16	-9	-30	-30	-20	-50	-50	-40	A	1
S556-5999-51	1100	-0.8	-1.0	-1.8	-10	-16	-9	-30	-30	-20	-50	-50	-40	B	2

SCHEMATICS



MECHANICALS

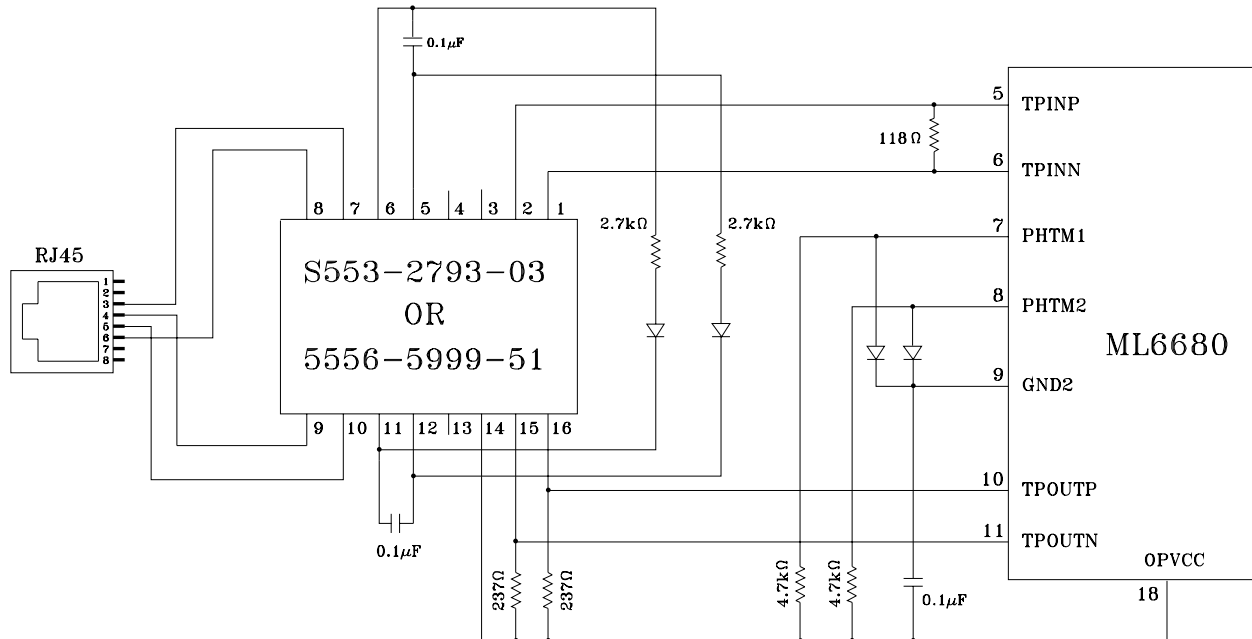


Specifications subject to change without notice.

TOKEN RING/FIBER APPLICATION FILTER MODULE

960037A

APPLICATION CIRCUIT



STANDARD MEDIA CONVERTER CONFIGURATION

REFER TO MICROLINEAR ML6680 APPLICATION
NOTE FOR SCHEMATIC DETAILS

APPLICATION NOTES

- Bel has developed a series of transformer modules for Microlinear's Token Ring to Fiber conversion chipsets. Each module includes 400 ohm transmit and 100 ohm impedance matched, high voltage isolation transformers, in addition to EMI and noise suppression common mode chokes.
- Optional filtering available to suppress unwanted noise in the differential signal above 30MHz.
- Bel's low profile, surface mount packaging is ideal for high speed pick and place machinery. Parts can be shipped on tape and reel for high speed placement. Construction processes have been implemented for thermal compatibility with high temperature IR reflow assembly processing. Post dipping of leads assist with PC board solderability. Each part is optically inspected to meet rigid coplanarity requirements.

Corporate Office

Bel Fuse Inc.
198 Van Vorst Street, Jersey City, NJ 07302-4496
Tel: 201-432-0463
Fax: 201-432-9542
E-Mail: BelFuse@belfuse.com
Internet: <http://www.belfuse.com>

Far East Office

Bel Fuse Ltd.
8F/8 Luk Hop Street
San Po Kong
Kowloon, Hong Kong
Tel: 852-2328-5515
Fax: 852-2352-3706

European Office

Bel Fuse Europe Ltd.
Preston Technology Management Centre
Marsh Lane, Preston PR1 8UD
Lancashire, U.K.
Tel: 44-1772-556601
Fax: 44-1772-888366